

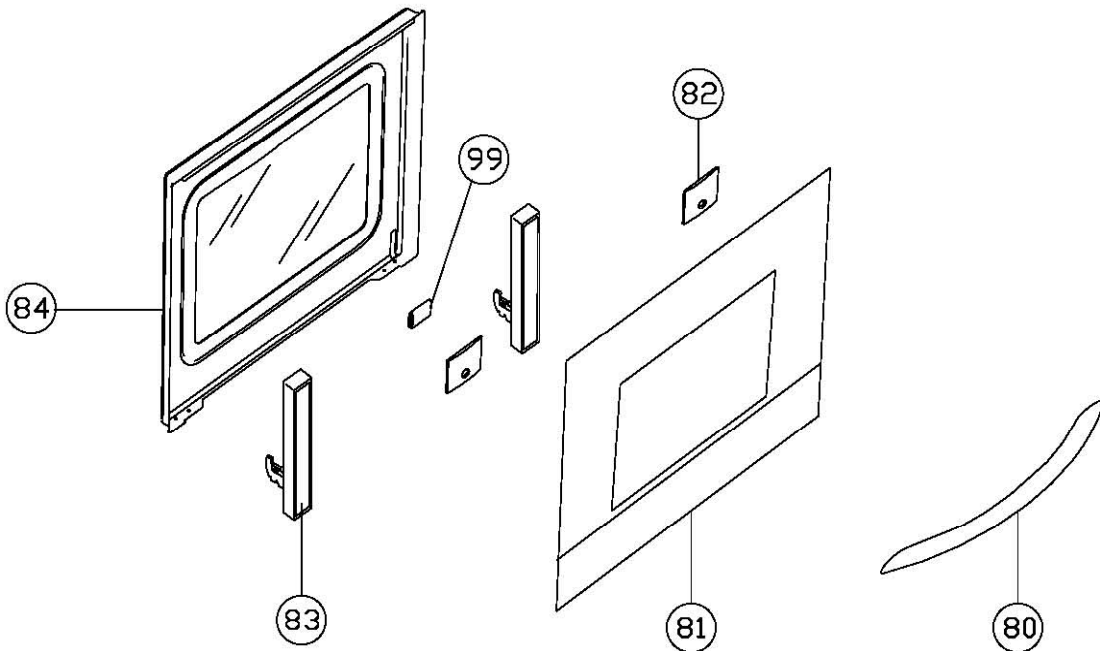
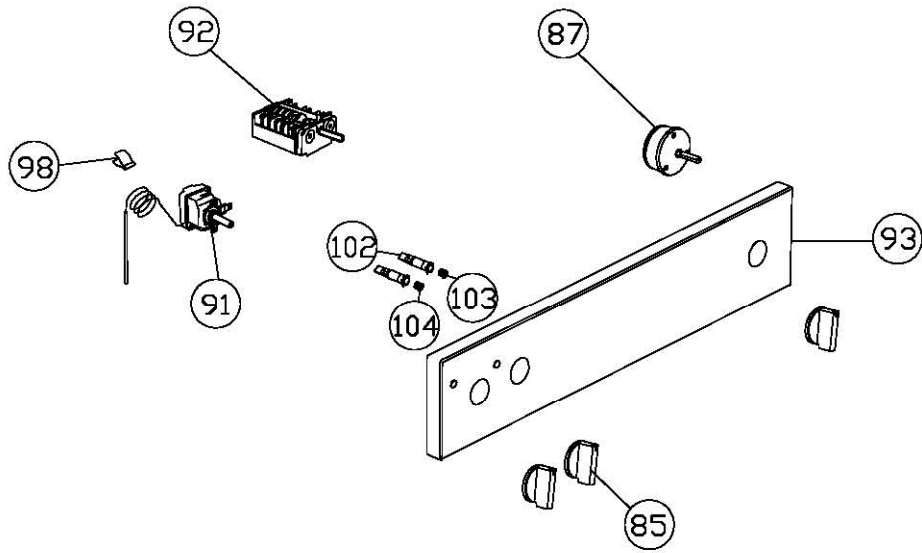


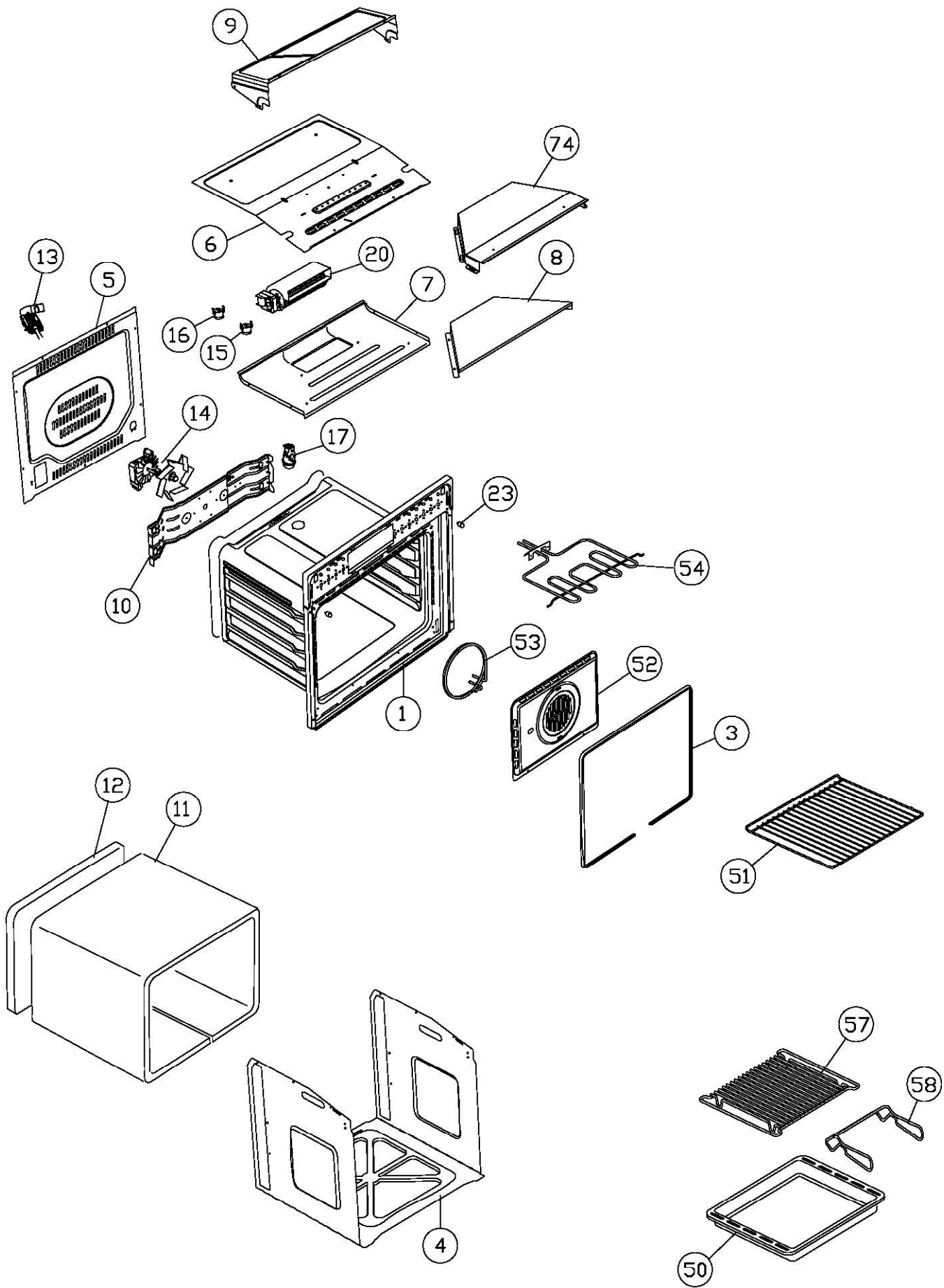
C2211**

**Caple single fan oven
(Black, Stainless Steel, White)**



TECHNICAL INFORMATION







C2211SS - Caple single fan oven

Item	Part Code	Description
1	42700411	MUFFLE
3	12380410	MUFFLE GASKET
3	12380700	MUFFLE GASKET
4	12110000	OUTER SHIELD
5	12110080	BACK SHIELD
6	12110010	TOP SHIELD
6	12110990	TOP SHIELD
7	12110100	LOWER AIR CONVEYOR F60
7	12110700	LOWER AIR CONVEYOR FG60
8	12110840	UPPER AIR CONVEYOR F60
9	12110030	CONTROLS SHIELD COVERING
9	12110390	CONTROLS SHIELD COVERING
10	12190020	SUPPORT BAR
10	12192660	SUPPORT BAR
11	12380000	FIBERGLASS SHELL
12	12380480	FIBERGLASS REAR
13	12530000	TERMINAL BLOCK/FASTEN CABLE 16A
14	12590030	RADIAL FAN
15	12540330	SAFETY THERMOSTAT PRESET T140°C
15	12540941	SAFETY THERMOSTAT PRESET T140°C
16	12540150	SAFETY THERMOSTAT PRESET T65°C
16	12540930	SAFETY THERMOSTAT PRESET T65°C
17	12540002	LAMP SOCKET 25W T300 230/240V
20	12590060	COOLING FAN
23	11380500	EPDM H.6 CRYSTAL SPACER
50	42105121	*TRAY F60 H30 BLACK
50	42105291	TRAY F60 H30 BLACK
51	12200010	SHELF
52	42105081	FAN COVER BLACK
53	12570030	CIRCULAR HEATING ELEMENT 2300W
54	12570020	GRILL HEATING ELEMENT 2000W
57	12200090	GRILL PAN SHELF
58	12200100	DOUBLE HANDLE GRILL PAN
74	12110720	UNIVERSAL TANGENTIAL CONVEYOR F60
80	12220024	HANDLE MOD102
81	42712326	GLASS DOOR
82	12190140	PLAQUE FIX.HANDLE BLACK
83	12600030	OVEN HINGE
84	42710070	INNER DOOR
84	42710460	INNER DOOR



C2211SS - Caple single fan oven

Item	Part Code	Description
85	11741801	KNOB
87	12600010	TIMER 60' CD360 T125
91	12540310	THERMOSTAT
91	12541080	THERMOSTAT
92	12540180	COMMUTATOR
93	12163064	CONTROL PANEL
98	12280000	SPRING FOR THERMOSTAT BULB
99	12380090	RUBBER FOOT FOR HINGE
99	12380650	RUBBER FOOT FOR HINGE
102	12540130	INDICATOR LAMP
103	12540140	RED LIGHT CAP
104	12540142	ORANGE LIGHT CAP
430	673000900354	DRAIN pipe
431	673001600068	SOFTENER nut
432	673002800161	SOFTENER cover
433	673001500106	SOFTENER rubber
501	673000900364	INNER PIPE ASSEMBLY
502	673001900030	water DISPENSER ASSEMBLY
503	673001900027	MIDDLE SPAYER PIPE ASSEMBLY
504	673000330000	LOWER SPRAYER
505	673001300548	LOWER SPRAYER seat
506	673002500112	PLASTIC FILTER
601	673001600057	SUMP NUT
602	673001500104	SUMP GASKET
603	673000900160	PVC pipe
604	673000900350	softener outlet pipe
607	673000701025	SUMP ASSEMBLY
608	673000900367	INNER DRAIN pipe
611	674000600154	Drainage pump
612	673002500124	main filter
613	673001300644	filter handle
614	673002500111	CYLINDR FILTER
615	673001500069	PUMP VIBRATION-PROOF PAD
616	674005600087	WASH PUMP ASSEMBLY
617	672002300038	motor holder
618	673001500111	PUMP GASKET
619	672000700031	940 CLAMPING
620	673001500115	HEATING ELEMENTS GASKET
621	674001100053	HEATING ELEMENTS ASSEMBLY
623	674010020008	WATER PRESSURE SWITCH ASSEMBLY
625	674000900053	Sensing device
701	673003200025	Cutlery shelf ASSEMBLY
702	672000810017	UPPER BASKET ASSEMBLY



C2211SS - Caple single fan oven

Item	Part Code	Description
703	672000820000	LOWER BASKET ASSEMBLY
704	674000200041	Inlet hose assembly
705	674002000034	Wiring harness
706	673002200165	Salt filler
707	673000101047	basket Handle lid (front)
708	673000101048	basket Handle lid (back)
709	672000301720	BASKET HANDLE adhibit piece
306-a	672001700024	Cutlery shelf guider (Right)
316-a	672001700026	UPPER BASKET guider(Right)