



C2161SS

Caple Sense Premium Single Side Opening Oven

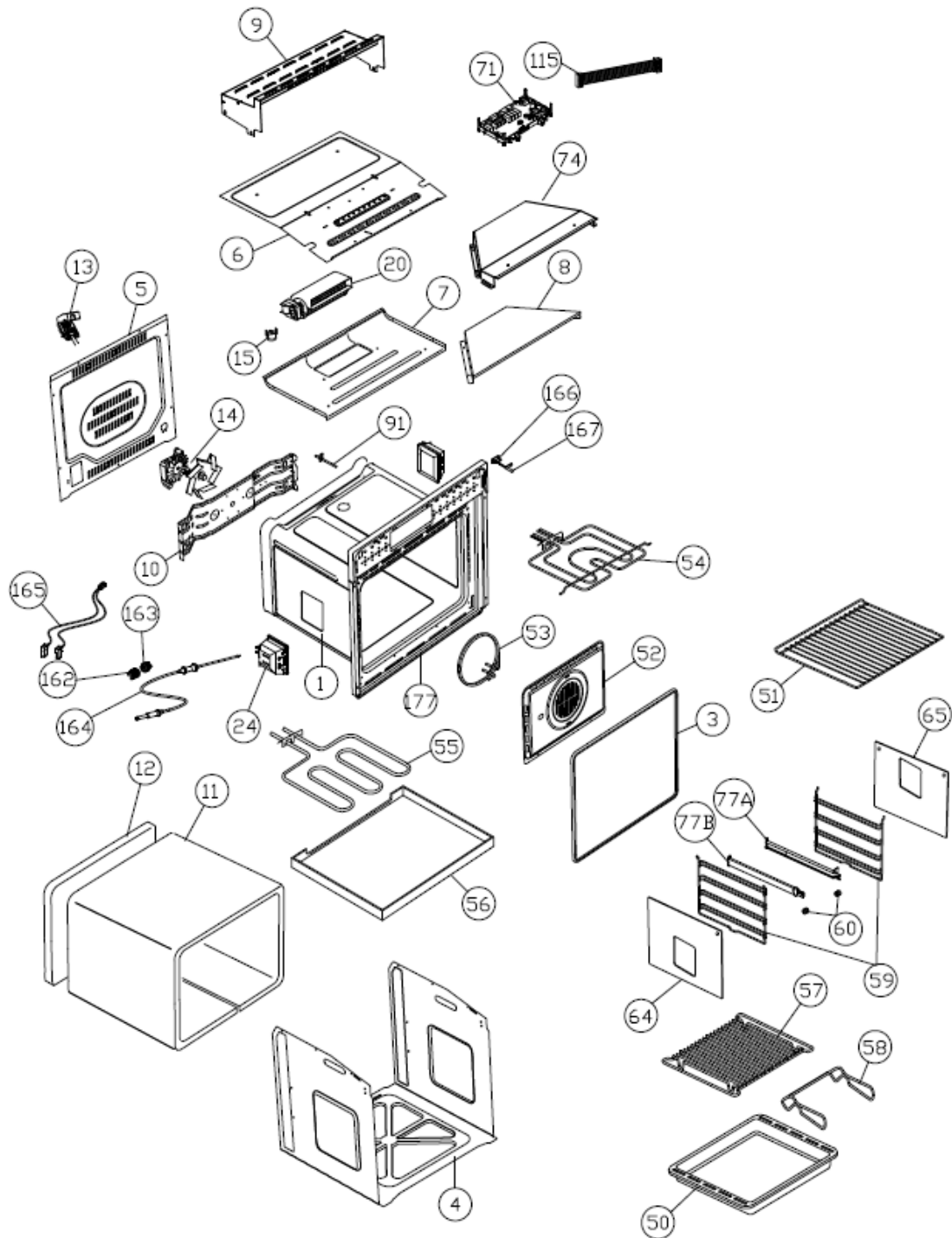


Technical Manual



C2161SS

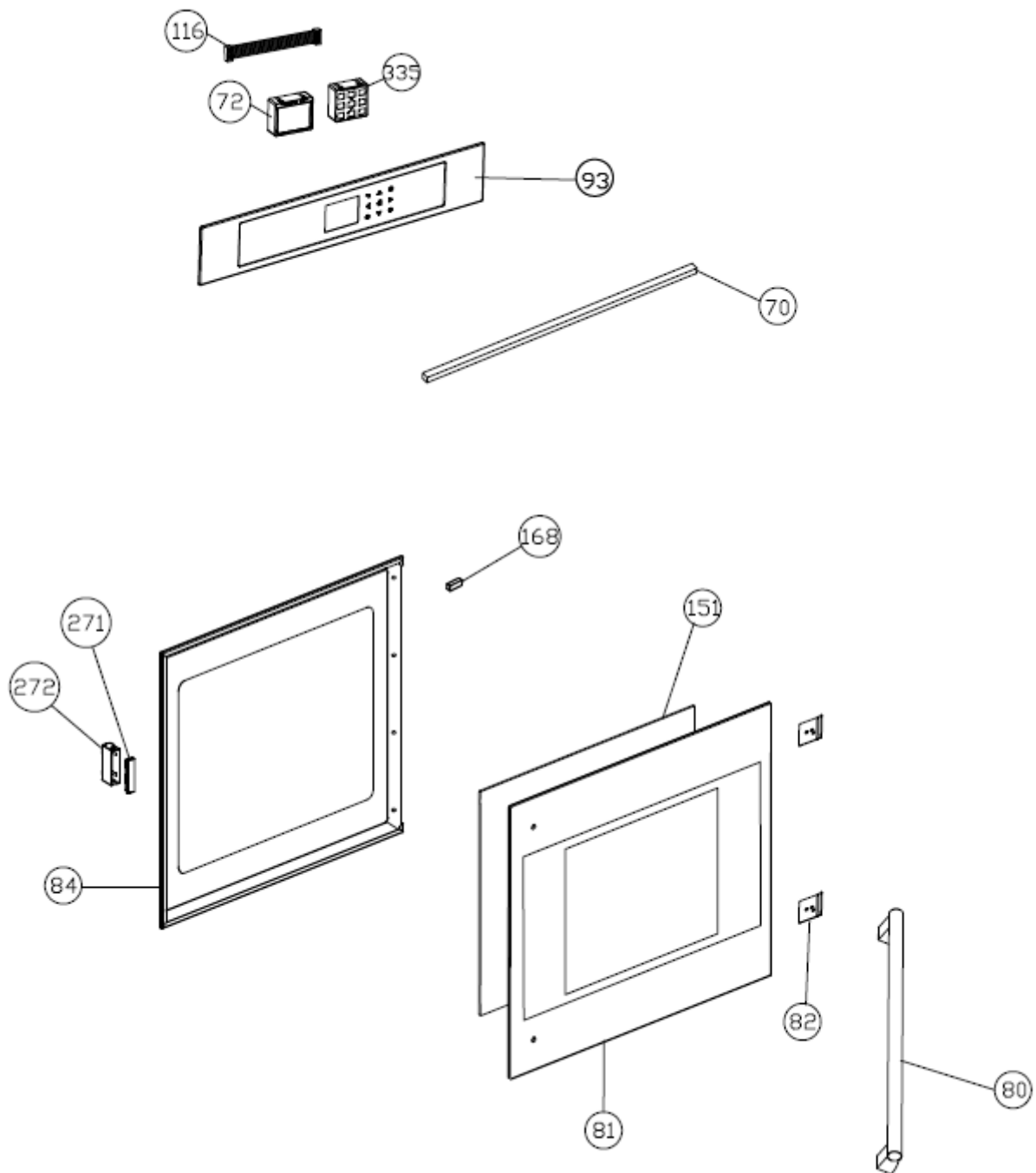
Caple Sense Premium Single Side Opening Oven





C2161SS

Caple Sense Premium Single Side Opening Oven





C2161SS

Caple Sense Premium Single Side Opening Oven

| Item | Part Number | Description | Quantity |
|------|-------------|--|----------|
| 1 | 42703385 | MUFFLE | 1 |
| 177 | 42705235 | FRONT WALL MUFFLE | 1 |
| 162 | 12541030 | MEAT PROBE PLUG | 1 |
| 163 | 12541040 | MEAT PROBE CAP | 1 |
| 60 | 12280020 | PAWL FOR SIDE RACK | 1 |
| 3 | 12382120 | MUFFLE GASKET | 1 |
| 56 | 12194240 | FASTENER BOTTOM HEATING ELEMENT | 1 |
| 55 | 12570390 | BOTTOM HEATING ELEMENT 1100W | 1 |
| 54 | 12570010 | UPPER HEATING ELEMENT 1000/1200 | 1 |
| 53 | 12570030 | CIRCULAR HEATING ELEMENT 2300W | 1 |
| 14 | 12590190 | RADIAL FAN | 1 |
| 24 | 12540960 | HALOGEN RECTANGULAR LAMP SOCKET 25W 230/240V | 1 |
| 10 | 12192660 | SUPPORT BAR | 1 |
| 11 | 12382280 | FIBERGLASS SHELL | 1 |
| 12 | 12382320 | FIBERGLASS REAR | 1 |
| 4 | 12110000 | OUTER SHIELD | 1 |
| 7 | 12112510 | LOWER AIR CONVEYOR FG60 | 1 |
| 167 | 42750522 | MAGNETIC PROXIMITY SENSOR | 1 |
| 166 | 12192060 | SUPPORT MAGNETIC SENSOR | 1 |
| 8 | 12110840 | UPPER AIR CONVEYOR F60 | 1 |
| 20 | 12590060 | TANGENTIAL COOLING FAN | 1 |
| 74 | 12110720 | UNIVERSAL TANGENTIAL CONVEYOR F60 | 1 |
| 165 | 12750519 | MEAT PROBE WIRING L820 | 1 |
| 115 | 12750501 | FLAT 8V L520 MODULAR DISPLAY-POWER UL | 1 |
| 116 | 12750499 | FLAT 6V L210 MODULAR DISPLAY-KEYBOARD UL | 1 |
| 15 | 12540941 | SAFETY THERMOSTAT PRESET T140°C | 1 |



C2161SS

Caple Sense Premium Single Side Opening Oven

| Item | Part Number | Description | Quantity |
|------|-------------|------------------------------------|----------|
| 71 | 12782123 | POWER BOARD MASTER MODULAR"EU" | 1 |
| 72 | 12542280 | DISPLAY BOARD MODULAR | 1 |
| 335 | 12542110 | KEY BOARD MODULAR | 1 |
| 6 | 12110990 | TOP SHIELD | 1 |
| 70 | 08GS5X6 | ADHESIVE RUBBER 5X6 | 1 |
| 93 | 42716055 | FRONTAL GLASS | 1 |
| 5 | 12113620 | BACK SHIELD | 1 |
| 9 | 12110390 | CONTROLS SHIELD COVERING | 1 |
| 13 | 12530000 | TERMINAL BLOCK/FASTEN CABLE 16A | 1 |
| 84 | 42710753 | INNER DOOR | 1 |
| 168 | 12280320 | MAGNET FOR PROXIMITY SENSOR | 1 |
| 271 | 12280430 | MAGNET FOR SWING DOOR 60 | 1 |
| 272 | 12741720 | MAGNET CONTAINER | 1 |
| 151 | 12321392 | 3rd INNER GLASS THERMO REFLECTIVE | 1 |
| 81 | 42712601 | GLASS DOOR | 1 |
| 82 | 12190140 | PLAQUE FIX.HANDLE BLACK | 1 |
| 80 | 12740450 | HANDLE MOD115 | 1 |
| 52 | 42105083 | FAN COVER SELF-CLEANING | 1 |
| 65 | 42105591 | PANEL SELF-CLEANING RIGHT | 1 |
| 64 | 42105601 | PANEL SELF-CLEANING LEFT | 1 |
| 59 | 12200000 | OVEN's SIDE RACK | 1 |
| 77a | 12600200 | RIGHT FULL EXTRACTION SIDE RACK Q6 | 1 |
| 77b | 12600210 | LEFT FULL EXTRACTION SIDE RACK Q6 | 1 |
| 51 | 12200230 | SHELF | 1 |
| 50 | 42105298 | TRAY F60 H30 GREY PIRO | 1 |
| 57 | 12200090 | GRILL PAN SHELF | 1 |
| 58 | 12200450 | DOUBLE HANDLE GRILL PAN | 1 |
| 164 | 12541020 | MEAT PROBE | 1 |