



C2151SS

Caple Sense Premium Single Oven

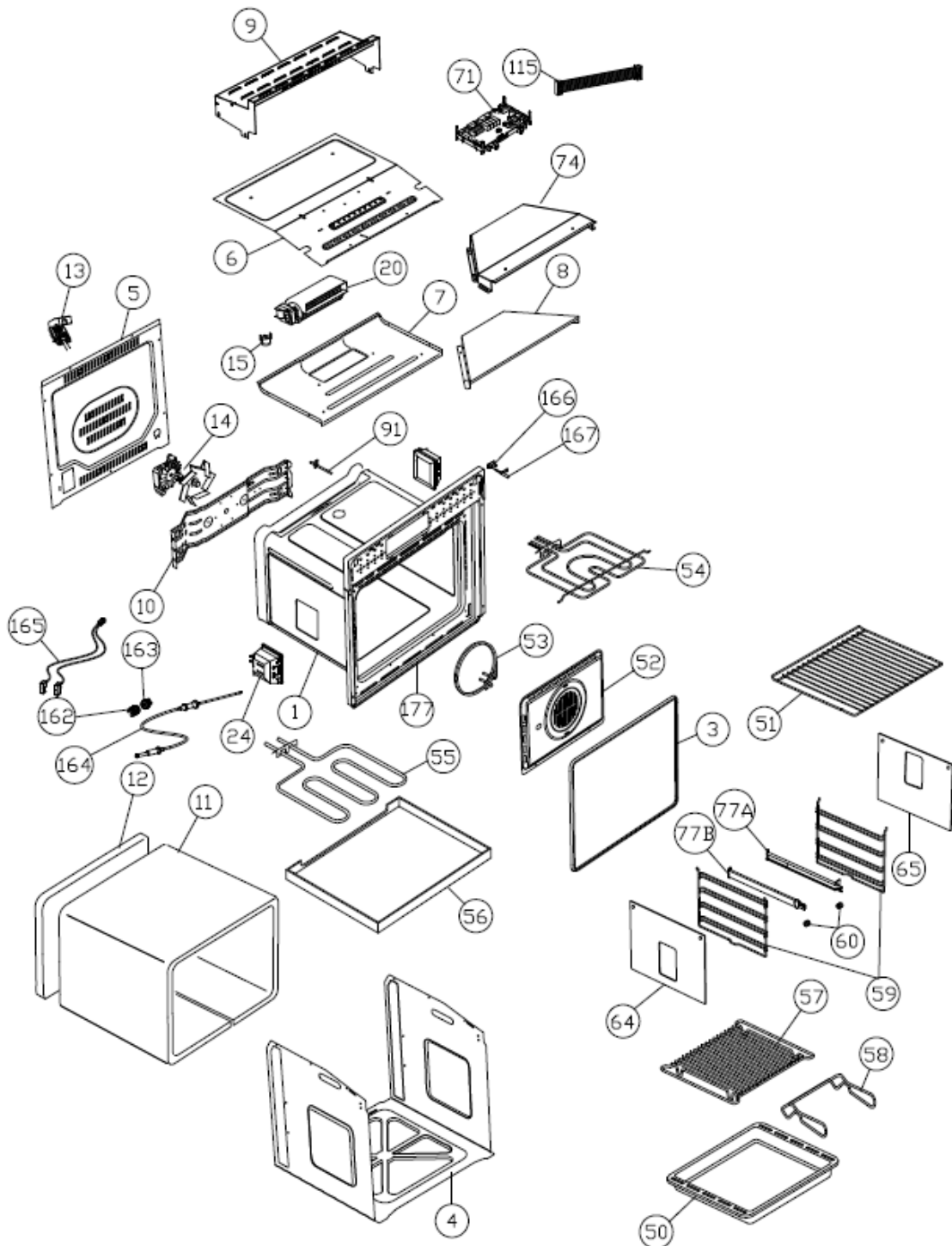


Technical Manual



C2151SS

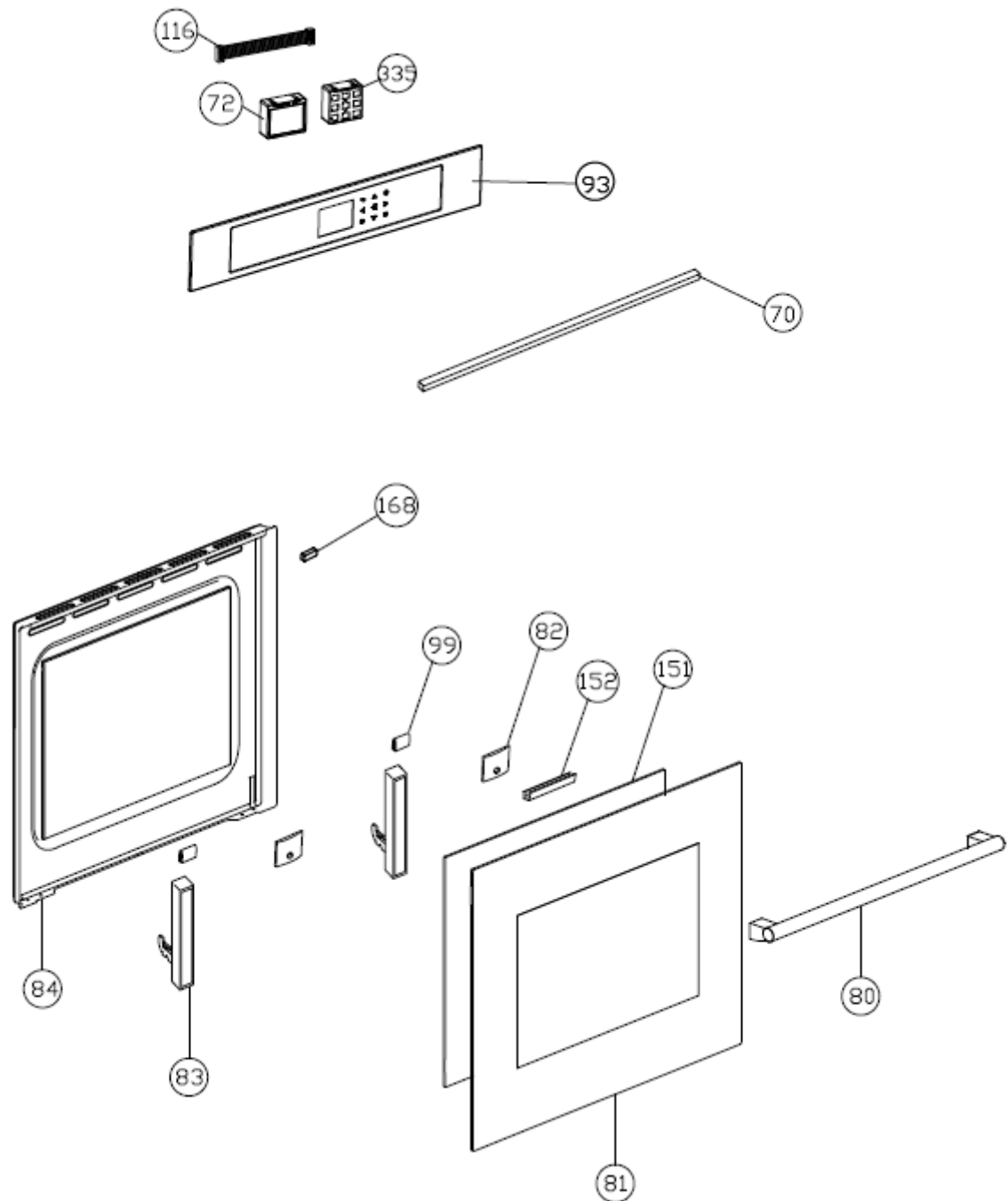
Caple Sense Premium Single Oven





C2151SS

Caple Sense Premium Single Oven





C2151SS

Caple Sense Premium Single Oven

Item	Part Number	Description	Quantity
1	42703385	MUFFLE	1
177	42705165	FRONT WALL MUFFLE	1
162	12541030	MEAT PROBE PLUG	1
163	12541040	MEAT PROBE CAP	1
60	12280020	PAWL FOR SIDE RACK	1
3	12382220	MUFFLE GASKET	1
56	12194240	FASTENER BOTTOM HEATING ELEMENT	1
55	12570390	BOTTOM HEATING ELEMENT 1100W	1
54	12570010	UPPER HEATING ELEMENT 1000/1200	1
53	12570030	CIRCULAR HEATING ELEMENT 2300W	1
14	12590190	RADIAL FAN	1
24	12540960	HALOGEN RECTANGULAR LAMP SOCKET 25W 230/240V	1
10	12192660	SUPPORT BAR	1
11	12382280	FIBERGLASS SHELL	1
12	12382320	FIBERGLASS REAR	1
4	12110000	OUTER SHIELD	1
7	12112510	LOWER AIR CONVEYOR FG60	1
167	42750522	MAGNETIC PROXIMITY SENSOR	1
166	12192060	SUPPORT MAGNETIC SENSOR	1
8	12110840	UPPER AIR CONVEYOR F60	1
20	12590060	TANGENTIAL COOLING FAN	1
74	12110720	UNIVERSAL TANGENTIAL CONVEYOR F60	1
165	12750519	MEAT PROBE WIRING L820	1
115	12750501	FLAT 8V L520 MODULAR DISPLAY-POWER UL	1
116	12750499	FLAT 6V L210 MODULAR DISPLAY-KEYBOARD UL	1
15	12540941	SAFETY THERMOSTAT PRESET T140°C	1
91	12542230	NTC PROBE	1



C2151SS

Caple Sense Premium Single Oven

Item	Part Number	Description	Quantity
71	12782123	POWER BOARD MASTER MODULAR"EU"	1
72	12542280	DISPLAY BOARD MODULAR	1
335	12542110	KEY BOARD MODULAR	1
6	12110990	TOP SHIELD	1
70	08GS5X6	ADHESIVE RUBBER 5X6	1
93	42715982	FRONTAL GLASS	1
5	12113620	BACK SHIELD	1
9	12110390	CONTROLS SHIELD COVERING	1
13	12530000	TERMINAL BLOCK/FASTEN CABLE 16A	1
84	42710693	INNER DOOR	1
168	12280320	MAGNET FOR PROXIMITY SENSOR	1
151	12321392	3rd INNER GLASS THERMO REFLECTIVE	1
152	12191370	3rd GLASS FRAME FASTENER INOX	1
99	12380650	RUBBER FOOT FOR HINGE	1
83	12600430	OVEN HINGE	1
81	42713327	GLASS DOOR	1
82	12190140	PLAQUE FIX.HANDLE BLACK	1
80	12740600	HANDLE SENSEHAN1 MAURICE LAY	1
52	42105083	FAN COVER SELF-CLEANING	1
65	42105591	PANEL SELF-CLEANING RIGHT	1
64	42105601	PANEL SELF-CLEANING LEFT	1
59	12200000	OVEN's SIDE RACK	1
77a	12600200	RIGHT FULL EXTRACTION SIDE RACK Q6	1
77b	12600210	LEFT FULL EXTRACTION SIDE RACK Q6	1
51	12200230	SHELF	1
50	42105298	TRAY F60 H30 GREY PIRO	1
57	12200090	GRILL PAN SHELF	1
58	12200450	DOUBLE HANDLE GRILL PAN	1
164	12541020	MEAT PROBE	1