



# C2150WH

Caple single oven



## Technical information



## Caple C2150 Single Oven (stainless steel and white)

### Features

Stainless steel or white glass  
Stainless steel, black-spot feature bar handle  
Grey nickel free easy-to-clean enamel interior  
Closed door grilling  
Tangential cooling fan  
Smooth and flat oven sides with chrome shelf racks  
Full width sealed inner door glass  
2 Side interior halogen lights

### Oven features

Energy class A - 20%  
13 Functions

- Lights
- conventional heat
- base heat
- eco grill
- full grill
- turbo grill
- turbo conventional heat
- fan heat
- base plus fan heat
- turbo defrost
- Auto
- boost
- clean

66 Litre capacity  
Touch control programmable electronic timer  
36 preset cooking recipes that can be customized  
Auto cooking function  
Meat probe  
Triple glazed door with heat reflective glass  
Self-cleaning catalytic liners

### Accessories

1 Safety-stop shelf  
1 Grill pan with handle  
1 Enamelled baking tray  
Dual position telescopic shelving

### Optional accessories

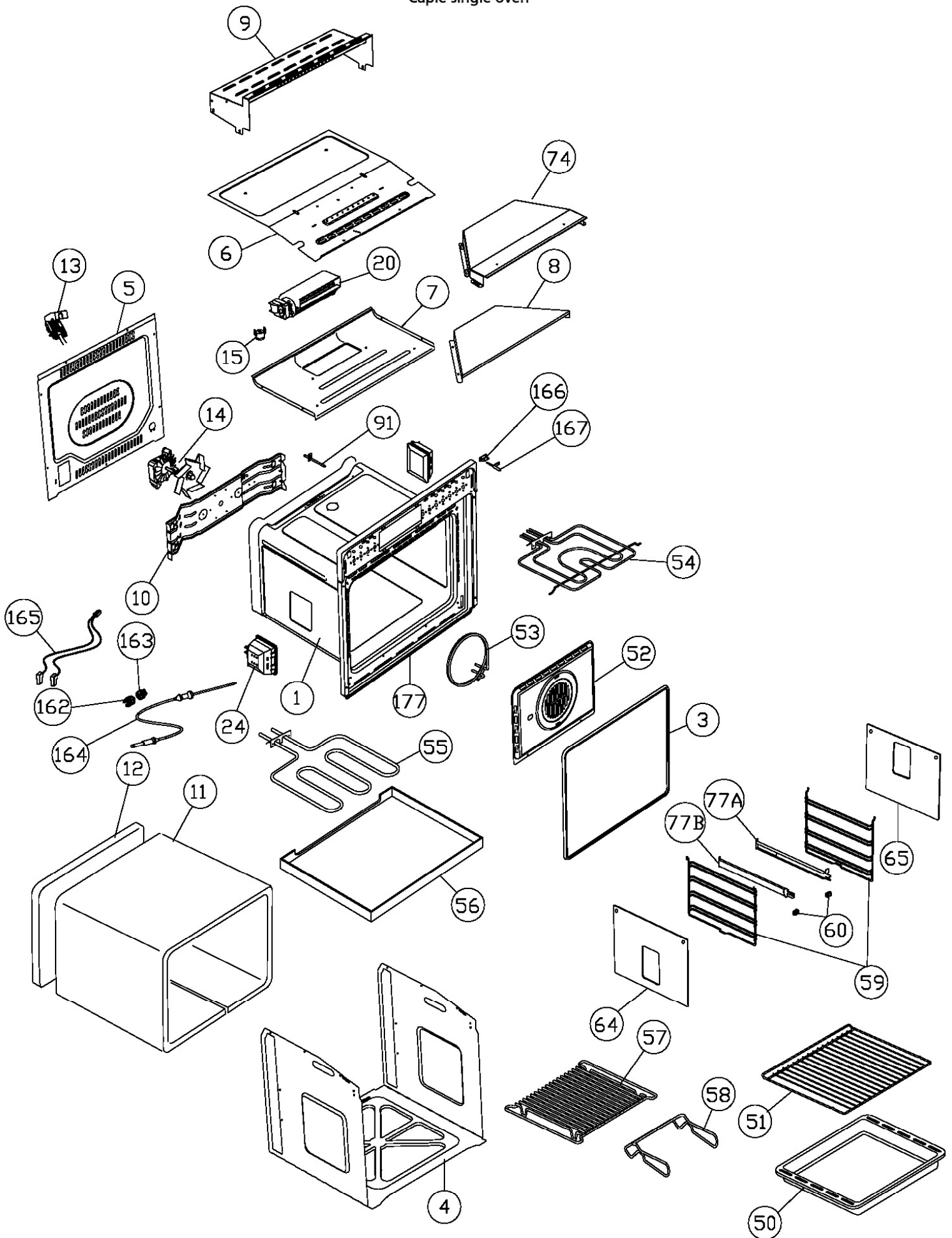
Tempered glass tray

### Electrical connection

Rated load 3.5kW  
Fuse rating 20A

## C2150WH

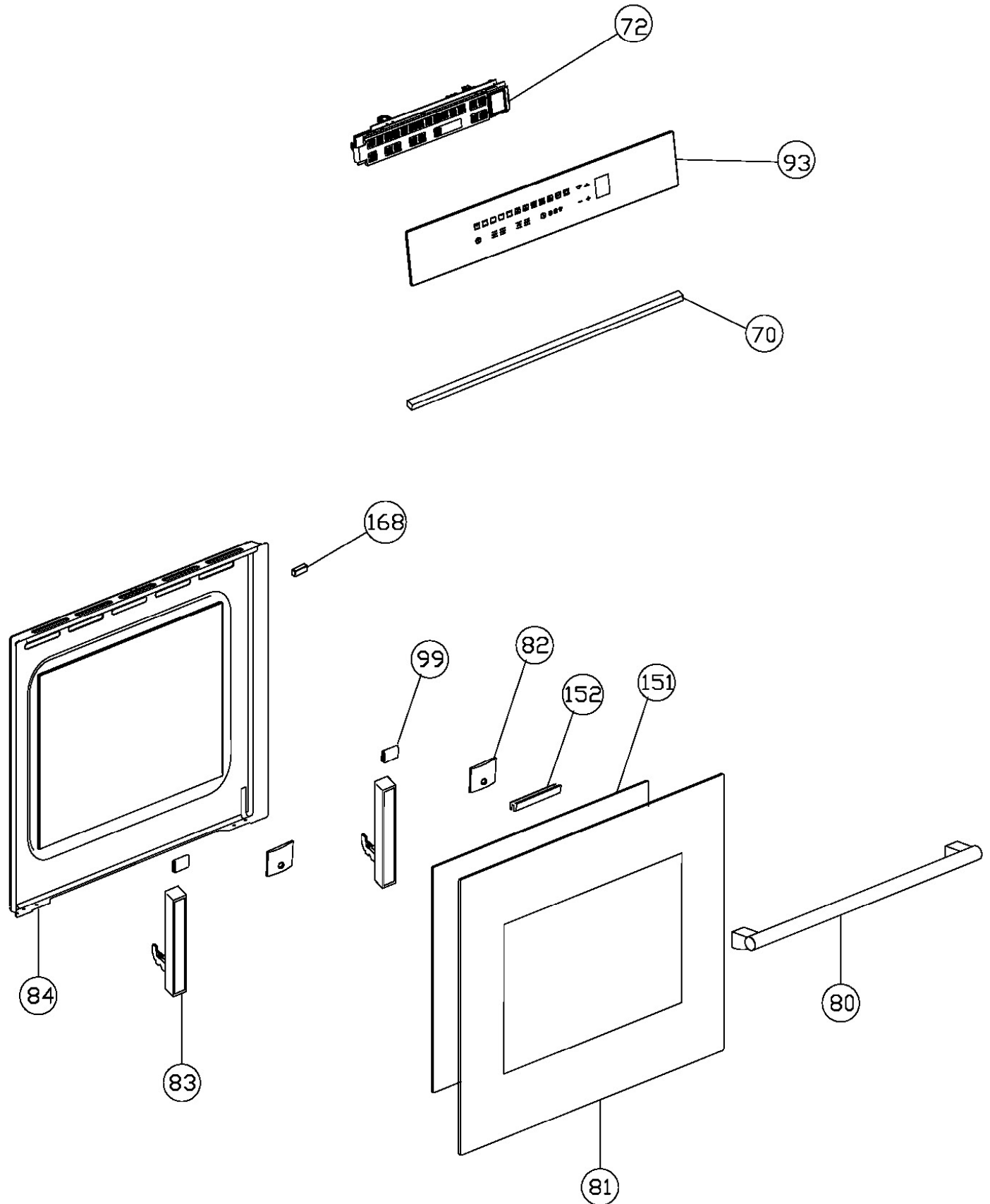
Caple single oven





# C2150WH

Caple single oven





## C2150WH - Caple single oven

Item	Part Code	Description
1a	42700613	MUFFLE (until 23/03/14)
1b	42703384	MUFFLE (from 24/03/14)
3a	12380700	MUFFLE GASKET (until 23/03/14)
3b	12382140	MUFFLE GASKET (from 24/03/14)
4	12110000	OUTER SHIELD
5	12110080	BACK SHIELD
6	12110990	TOP SHIELD
7	12112510	LOWER AIR CONVEYOR FG60
8	12110840	UPPER AIR CONVEYOR F60
9	12110390	CONTROLS SHIELD COVERING
10	12192660	SUPPORT BAR
11	12380790	FIBERGLASS SHELL
12a	12380480	FIBERGLASS REAR (until 01/11/15)
12b	12382320	FIBERGLASS REAR (from 02/11/15)
13	12530000	TERMINAL BLOCK/FASTEN CABLE 16A
14	12590190	RADIAL FAN
15	12540941	SAFETY THERMOSTAT PRESET T140°C
20	12590060	TANGENTIAL COOLING FAN
24	12540960	HALOGEN RECTANGULAR LAMP SOCKET 25W 230/240V
50	42105296	TRAY F60 H30 GREY PIRO
51	12200230	SHELF
52	42105083	FAN COVER SELF-CLEANING
53	12570030	CIRCULAR HEATING ELEMENT 2300W
54	12570010	UPPER HEATING ELEMENT 1000/1200
55a	12570000	BOTTOM HEATING ELEMENT 1100W (until 12/07/15)
55b	12570390	BOTTOM HEATING ELEMENT 1100W (from 13/07/15)
56a	12190030	FASTENER BOTTOM HEATING ELEMENT (until 23/06/15)
56b	12194240	FASTENER BOTTOM HEATING ELEMENT (from 24/06/15)
57	12200090	GRILL PAN SHELF
58	12200450	DOUBLE HANDLE GRILL PAN
59	12200000	OVEN's SIDE RACK
60	12280020	PAWL FOR SIDE RACK
64	42105251	PANEL SELF-CLEANING LEFT
65	42105241	PANEL SELF-CLEANING RIGHT
70a	12380280	ADHESIVE GASKET (until 10/05/15)
70b	08GS5X6	ADHESIVE RUBBER 5X6 (from 11/05/15)
72	42782053	INTERACTIVE POWER BOARD 13F F60
74	12110720	UNIVERSAL TANGENTIAL CONVEYOR F60
77a	12600200	RIGHT FULL EXTRACTION SIDE RACK Q6
77b	12600210	LEFT FULL EXTRACTION SIDE RACK Q6
80	12740600	HANDLE SENSEHAN1 MAURICE LAY
81	42713328	GLASS DOOR
82	12190140	PLAQUE FIX.HANDLE BLACK
83	12600430	OVEN HINGE



## C2150WH - Caple single oven

Item	Part Code	Description
84	42710692	INNER DOOR
91a	12540400	NTC PROBE (until 29/06/15)
91b	12542080	NTC PROBE (from 30/06/15)
93	42715684	FRONTAL GLASS
99	12380650	RUBBER FOOT FOR HINGE
151	12321392	3rd INNER GLASS THERMO REFLECTIVE
152	12191370	3rd GLASS FRAME FASTENER INOX
162	12541030	MEAT PROBE PLUG
163	12541040	MEAT PROBE CAP
164	12541020	MEAT PROBE
165	42750283	MEAT PROBE WIRING L560
166	12192060	SUPPORT MAGNETIC SENSOR
167	12540980	MAGNETIC PROXIMITY SENSOR
168	12280320	MAGNET FOR PROXIMITY SENSOR
177	42705024	FRONT WALL MUFFLE (from 24/03/14)