



CM210SS

Caple Sense Premium B/I Combination Microwave

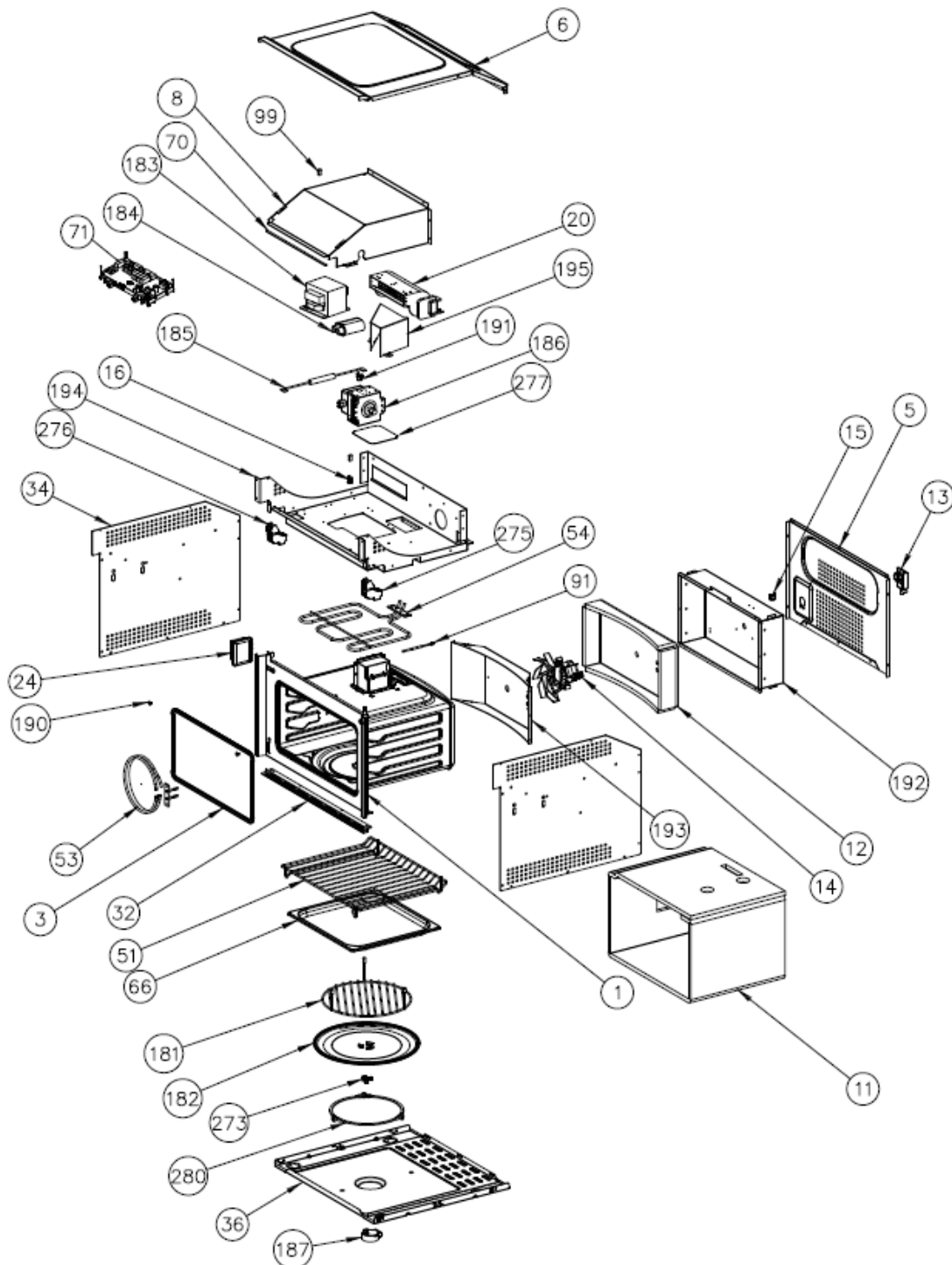


Technical Manual



CM210SS

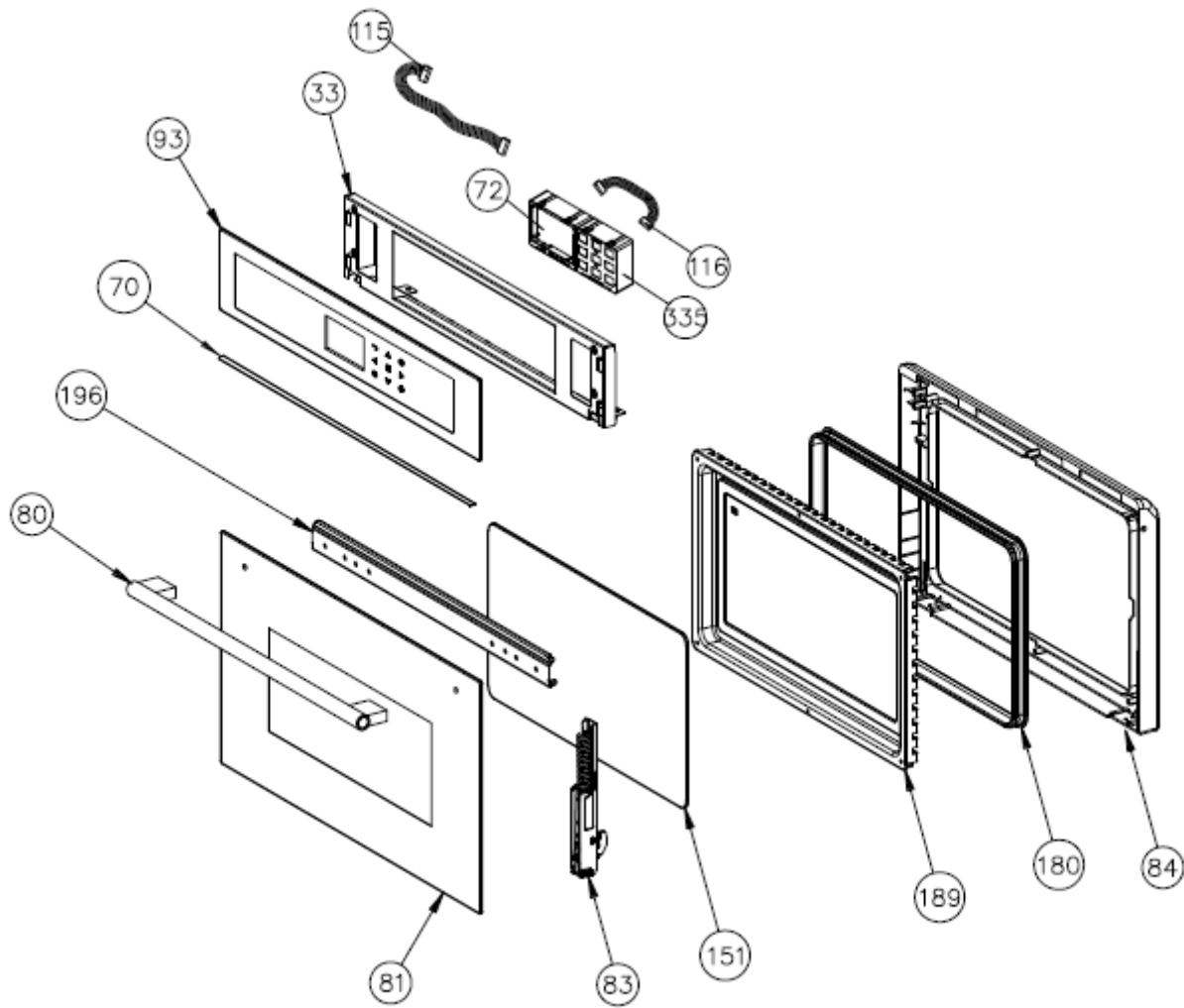
Cable Sense Premium B/I Combination Microwave





CM210SS

Caple Sense Premium B/I Combination Microwave





CM210SS

Caple Sense Premium B/I Combination Microwave

| Item | Part Number | Description                                  | Quantity |
|------|-------------|--|----------|
| 1    | 42703610    | MUFFLE                                       | 1        |
| 277  | 12380960    | MICA PROTECTION                              | 1        |
| 190  | 11380640    | CAST IRON RUBBER GRILL                       | 1        |
| 187  | 12590140    | GEARMOTOR                                    | 1        |
| 33   | 12112541    | COUNTER FRONTAL                              | 1        |
| 32   | 12192671    | LOWER PROFILE F45N STEAM BLACK               | 1        |
| 3    | 12382130    | MUFFLE GASKET                                | 1        |
| 54   | 12570180    | GRILL HEATING ELEMENT 1500W                  | 1        |
| 53   | 12570170    | CIRCULAR HEATING ELEMENT 1500W               | 1        |
| 14   | 12590191    | RADIAL FAN                                   | 1        |
| 12   | 12380980    | FIBERGLASS REAR                              | 1        |
| 193  | 12111850    | BOTTOM PROTECTION                            | 1        |
| 192  | 12112490    | EXTERNAL BOTTOM                              | 1        |
| 24   | 12540960    | HALOGEN RECTANGULAR LAMP SOCKET 25W 230/240V | 1        |
| 11   | 12381530    | FIBERGLASS SHELL                             | 1        |
| 194  | 12113490    | COMPONENT SUPPORT                            | 1        |
| 183  | 12541110    | TRANSFORMER                                  | 1        |
| 185  | 12541130    | FUSE CARRIER + FUSE 0.8A-5kV                 | 1        |
| 184  | 12541120    | CAPACITOR 2100Vac 50/60Hz 1.05 $\mu$ F       | 1        |
| 195  | 12192440    | AIR CONVEYOR F45N MAGNETRON                  | 1        |
| 186  | 12570410    | MAGNETRON                                    | 1        |
| 20   | 12590270    | TANGENTIAL COOLING FAN                       | 1        |
| 8    | 12111860    | AIR CONVEYOR F45N $\mu$ ONDE                 | 1        |
| 70   | 12380950    | ADHESIVE GASKET                              | 1        |
| 275  | 12782058    | MICROSWITCH N/O $\mu$ F45 (RIGHT)            | 1        |
| 276  | 12782059    | MICROSWITCH N/O-N/C $\mu$ F45 (LEFT)         | 1        |
| 116  | 12750499    | FLAT 6V L210 MODULAR DISPLAY-KEYBOARD UL     | 1        |
| 115  | 12750501    | FLAT 8V L520 MODULAR DISPLAY-POWER UL        | 1        |



## CM210SS

### Caple Sense Premium B/I Combination Microwave

| Item | Part Number | Description                        | Quantity |
|------|-------------|------------------------------------|----------|
| 191  | 12541100    | SAFETY THERMOSTAT T120°C MAGNETRON | 1        |
| 16   | 12540944    | SAFETY THERMOSTAT PRESET T110°C    | 1        |
| 15   | 12540943    | SAFETY THERMOSTAT PRESET T165°C    | 1        |
| 91   | 12542240    | NTC PROBE                          | 1        |
| 71   | 12782123    | POWER BOARD MASTER MODULAR"EU"     | 1        |
| 72   | 12542280    | DISPLAY BOARD MODULAR              | 1        |
| 335  | 12542110    | KEY BOARD MODULAR                  | 1        |
| 93   | 42715997    | FRONTAL GLASS                      | 1        |
| 34   | 12112400    | LEFT-RIGHT SIDE SHIELD             | 1        |
| 36   | 12111810    | BOTTOM SHIELD                      | 1        |
| 5    | 12111260    | BACK SHIELD                        | 1        |
| 6    | 12111170    | TOP SHIELD                         | 1        |
| 13   | 12530000    | TERMINAL BLOCK/FASTEN CABLE 16A    | 1        |
| 84   | 12301000    | INNER DOOR                         | 1        |
| 180  | 12381000    | DOOR GASKET                        | 1        |
| 151  | 12323500    | 3rd INNER GLASS THERMO REFLECTIVE  | 1        |
| 189  | 42710590    | LABYRINTH $\mu$ F45N               | 1        |
| 83   | 12600280    | DOOR HINGE                         | 1        |
| 81   | 42713329    | GLASS DOOR                         | 1        |
| 196  | 12193250    | INNER DOOR HANDLE PROFILE          | 1        |
| 80   | 12740600    | HANDLE SENSEHAN1 MAURICE LAY       | 1        |
| 273  | 12380920    | BUSHING FOR FLAT GLASS SWIVEL      | 1        |
| 280  | 12600230    | SLIDING BLOCK FOR ROTATING PLATE   | 1        |
| 182  | 12380930    | FLAT GLASS SWIVEL                  | 1        |
| 51   | 12200460    | SHELF                              | 1        |
| 181  | 42702000    | ROUND SHELF H75                    | 1        |
| 66   | 12105500    | TRAY H20 INOX GN2/3 F45N           | 1        |
| 99   | 12380500    | RUBBER FOOT FOR HINGE              | 1        |