



ZZ901WH

Caple 90cm cooker hood



Technical information



Caple ZZ901WH wall chimney hood

Features

Width 900mm

Stainless steel and white glass

Full touch controls

Remote control

4 speeds

2 x 20W halogen lights

Perimetrical extraction for reduced noise and increased pressure resulting in improved motor performance

Auto timer 10, 15 and 20 minutes

Aluminium washable grease filters

Ducting spigot size 150mm

Performance

Max. extraction 800m³/h

Max. noise level 57dB(A)

Optional extras

Recirculation kit available

Electrical connection

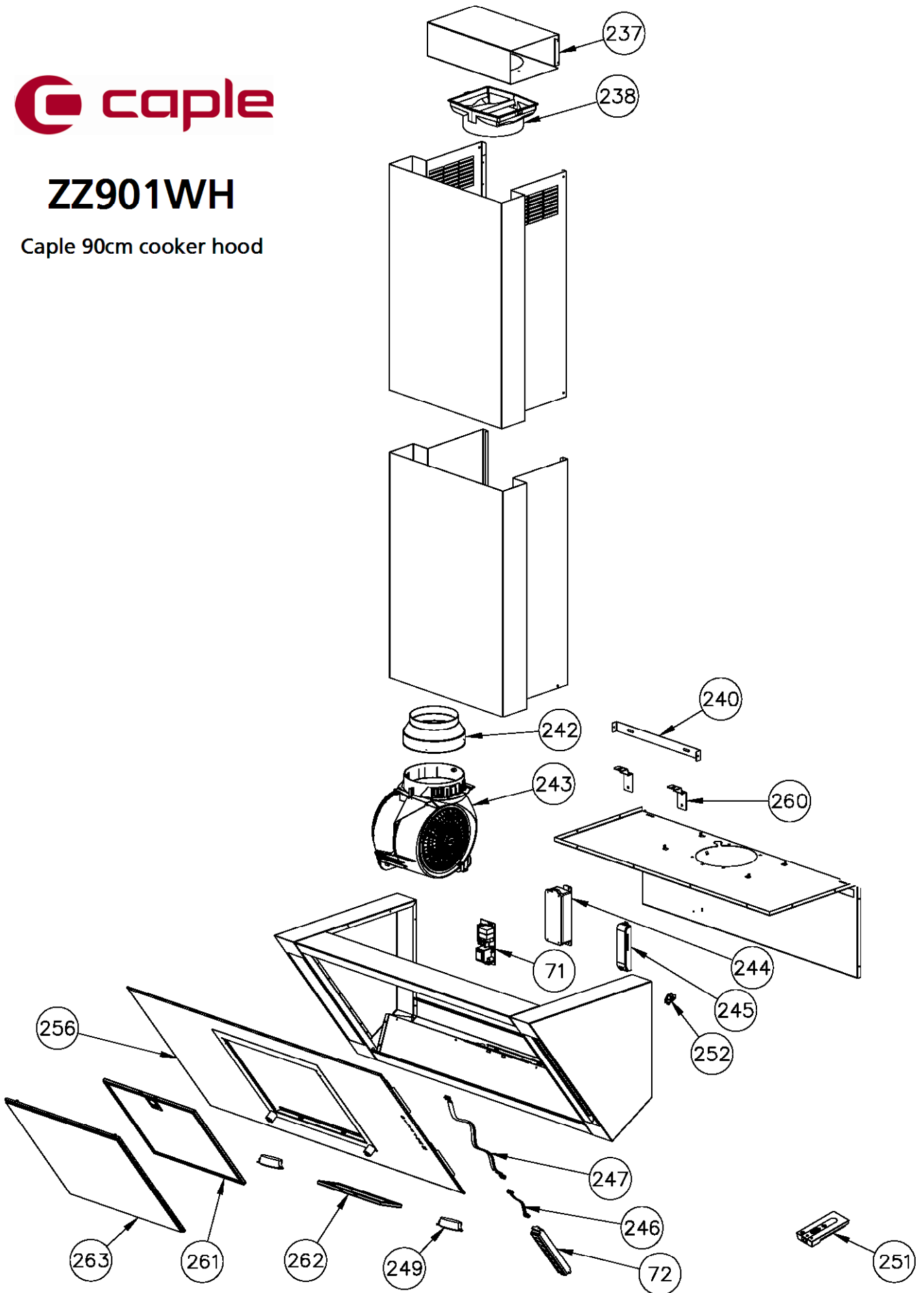
Rated load 0.25kW

Fuse rating 3A



ZZ901WH

Caple 90cm cooker hood





ZZ901WH - Caple 90cm cooker hood

Item	Part Code	Description
71	135400100	CONTROL CREATIVE POWER BOARD
72	137800040	ASSEMBLY CONTROL CREATIVE BOARD
237	131900150	BAFFLE FOR MOBILE CARTER (WALL SUPPORT)
238	133800060	NOZZLE FOR BAFFLE
240	131900290	FIXING BRACKET FOR UPPER CARTER
242	133800070	TANGENTIAL REDUCTION
243	135900000	TANGENTIAL MOTOR
244	133800050	CREATIVE POWER BOARD BOX
245	437500130	POWER SUPPLY WIRING 2 LAMPS 10-60W
246	137500090	FLAT CABLE L.150
247	137500000	FLAT CABLE L.850
249	135400040	HALOGEN LAMP ROUND 20W
251	135400070	REMOTE CONTROL
252	11530130	CABLE CLIP
256	437100120	ASSEMBLY GLASS + BRACKET + FRAME
260	131900280	WALL FIXING BRACKET
261	132100030	METAL FILTER 320x300 BF60/90
262	132100040	METAL FILTER 222x80 BF60/90
263	437100030	ASSEMBLY FRONT PANEL COVER FILTER + BRACKET