



C891C

Caple modular 2 zone ceramic

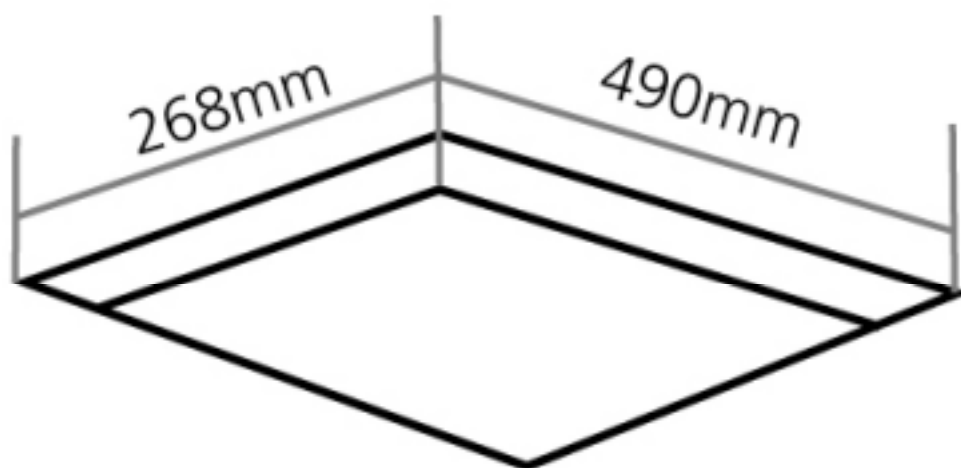
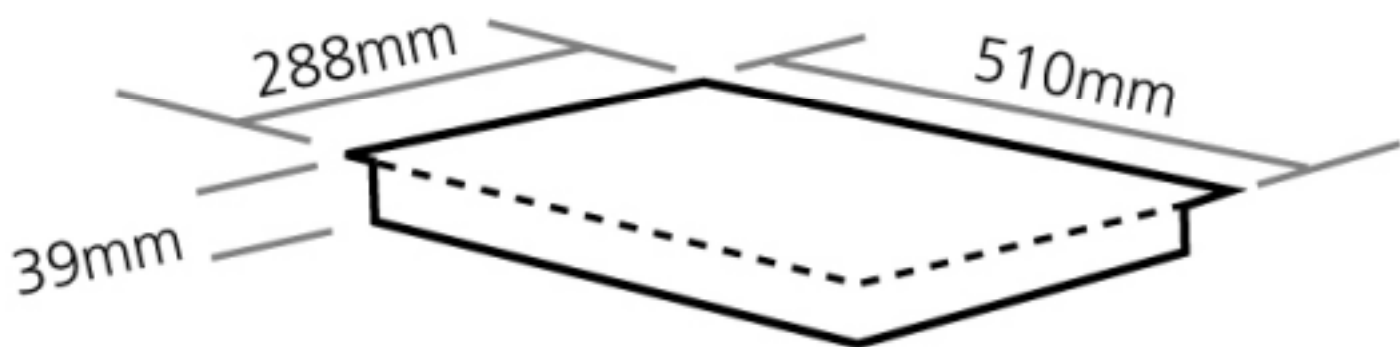


TECHNICAL INFORMATION

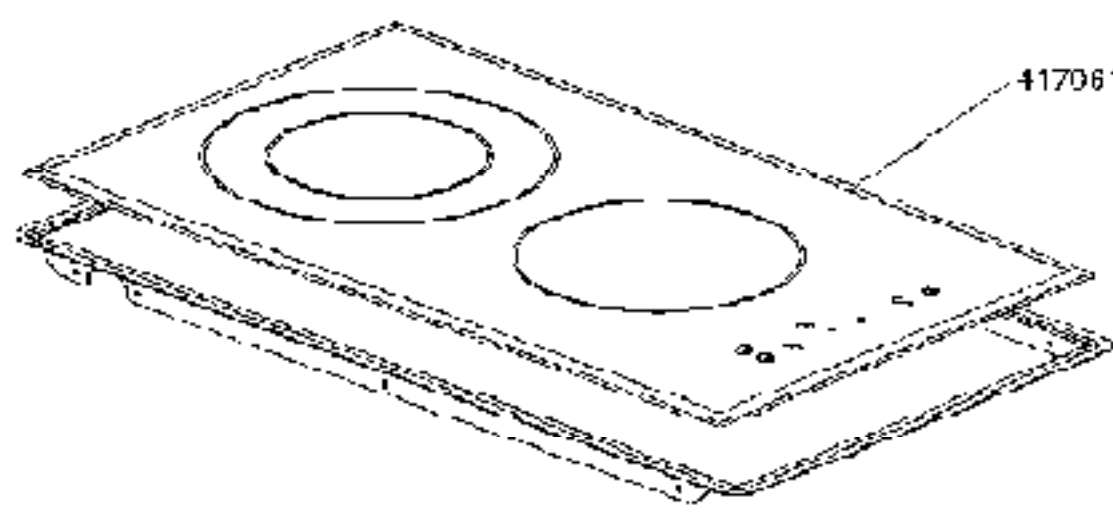


C891C

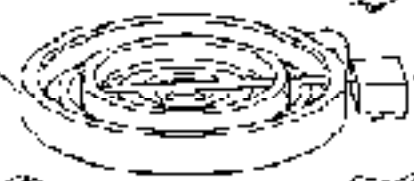
Caple modular 2 zone ceramic



11706125



1151145

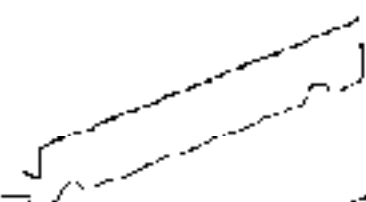


1125026C



1157035

11102540



11541960

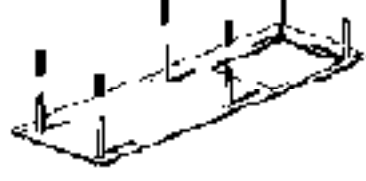


11230210

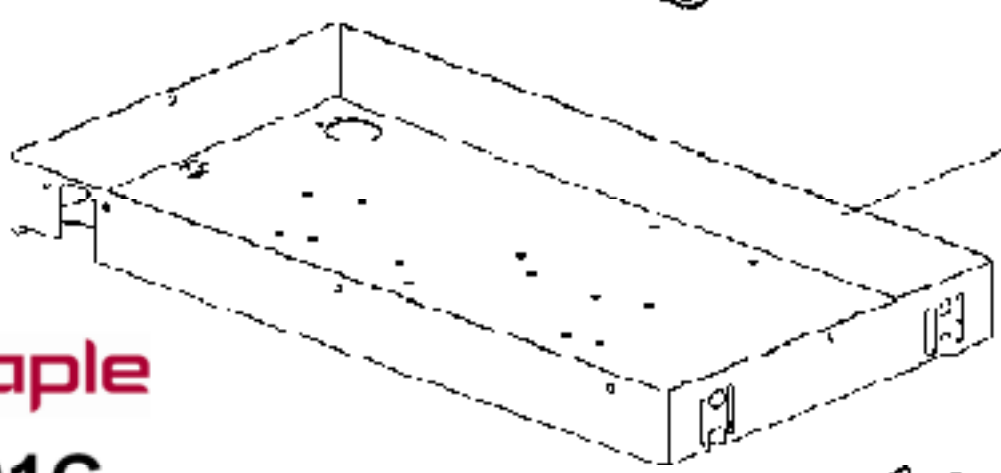
1153020



1192530



11111540



C891C

Cable modular 2 zone ceramic



11190760



C891C - Caple modular 2 zone ceramic

Item	Part Code	Description
11190760	11190760	TAP FIXING BRACKET
11192330	11192330	SUPPORT POWER BOARD T/C 30CM
11192540	11192540	DIVIDING CROSSPIECE VCR TOUCH CONTROL
11230240	11230240	COMPRESSION SPRING POWER BOARD
11230250	11230250	SPRING FOR HEATING ELEMENT
11530420	11530420	TERMINAL BLOCK + CABLE 16A
11541960	11541960	TOUCH CONTROL SYSTEM VCR
11571035	11571035	HI LITE + TCR 145 RAPID 1200W
11571745	11571745	HI LITE + TCR DOUBLE RING 180/120 1700/700W
41111590	41111590	DOMINO BASE T/C
41706125	41706125	VCR ARIA 30 TV 1C+1SDC COMPLETE HOB TOOP

FORMATO

A4V



C891C

Caple modular 2 zone ceramic
frameless crystal

VISTA FRONTALE

VISTA DA DIETRO

