



# INCHP4

Caple Integrated Hood Grey



INSTRUCTION MANUAL

## VIEW OF THE HOOD (Fig. 1)

- 1) Flap door
- 2) Grease filter supporting grill
- 3) Cooking surface lighting
- 4) Controls

## INSTALLATION


- The hood must be installed at about 60 cm. above electric burners or 65 cm. above gas or mixed burners.

If the instructions for the installation of the gas cooking appliance specify a greater distance, please take this into account.

- Before making any electrical connection, make sure the house voltage corresponds with the voltage indicated on the data label, placed inside the hood.

## ELECTRICAL CONNECTION

If it is not supplied, fit a standard plug on the cord for the load stated on the data plate. When connecting the appliance directly to the mains, place between the appliance and the mains an omnipolar switch with minimum opening between contacts of 3 mm. dimensioned for the load and corresponding with prevailing standards. For the hoods in Class I, that do not show on the data plate the symbol of the double square, the connection must be made as follows :

<b>BROWN</b>	=	<b>L</b>	<b>(Line)</b>
<b>BLUE</b>	=	<b>N</b>	<b>(Neutral)</b>
<b>YELLOW/GREEN</b>	=		<b>(Earthed)</b>

For the hoods in Class II, that show on the data plate the symbol of the double square, the connection must be made as follows :

<b>BROWN</b>	=	<b>L</b>	<b>(Line)</b>
<b>BLUE</b>	=	<b>N</b>	<b>(Neutral)</b>

## FIXING THE HOOD TO THE WALL (Fig. 3)

You have to take the template relevant to "fixing to the wall", supplied with the hood, apply it to the wall and make the holes where indicated. Apply the expansion boss in the upper and lower holes.

Fix the hooks "C" in the upper holes, by means of the screws 5x45. Apply to the hood the brackets "B", supplied with it, as showed in the enclosed illustrative leaflet. Adjust the position of the upper brackets "B" according to the depth of the cupboards, fix the hood to the hooks "C" and check that the appliance is at the right height (to adjust the height you can operate on the screws "D", embodied in the brackets). Turn the fixing screws of the angular frame "A" out, such angular frame has a long side and a short side, that you have to utilize depending on the depth of

the cupboard; remove the grill on turning the suitable latches, extract the flap door "1" on turning the releasing knobs "5", fix the angular frame "A" to the wall, in the holes "M", at the right height, through the holes "H" (Fig. 1), by means of the screws 5x45. Fasten the fixing screws to the angular frame of the hood.

## FIXING THE HOOD TO THE CUPBOARDS (Fig.5)

Apply the template relevant to "fixing to the cupboards", supplied with the hood, on the side of the right cupboard, so that the side "B" matches the frontal part of the cupboard (disregards the thickness of the flap door) and make two holes 2,5 mm. diameter in the points "B1" and "B2". Then apply the same template on the side of the left cupboard, matching the side "C" with the frontal part of the cupboard (disregard the thickness of the flap door). Make two holes 2,5 mm. diameter in the points "C1" and "C2". Remove the grill turning the latches and making it slide towards the bottom, extract the flap door "1" turning the releasing knobs "5". Fix the hood to the cupboards by means of the screws 4,5x16. Adjust the angular frame till it will stick to the wall, working on the apposite screws.

This angular frame has a long side and a short side, to utilize depending on the depth of the cupboards.

## FIXING THE FRONTAL PANEL (Fig. 4)

Remove the grill and extract the flap door.

Apply the template relevant to "fixing the frontal panel" in the rear side of the frontal panel, drill in the points showed on the template and fix the flap door to the frontal panel by means of the screws 4,2x13.

Replace the flap door, inserting it before in the upper slides and then in the lower ones.

Replace the grill.

**N.B.** If the flap door does not completely close, remove the grill, turn the screws out, close the flap door and screw up again.

## UTILIZATION

The hood is designed to be utilized either for suction version at external evacuation or filtering version at internal recirculation.

## SUCTION VERSION

### EXTERNAL EXHAUST (Fig. 6)

With the suction version, the dirty air is ejected outside the house by an apposite pipe conduit connected to the connection flange "G" fixed to the hole "E" (Fig. 1) by the screw 2,9x13.

Connection flange has a diameter of 120 mm.

For fumes and vapours' exhaust, you have to utilize an exhaust pipe, made in not-combustible material,

of diameter 120 mm. The hood must not be connected to fuel exhaust flues or to a duct in which hot air is circulating, or is utilized to remove the fumes from appliances stocked by an energy different from the electric one. Pay attention when there is the contemporary functioning of an hood and a burner or furnace depending from the air of the surrounding (stocked by an energy different from the electric one), because the hood, suctioning, takes away from the surrounding the air that the burner or the furnace need for the combustion. So, for a sure functioning, provide a suitable ventilation of the room by doors, windows or other technical devices. For the external exhaust, you have to follow the Authority's rules. The external exhaust must not be made in a flue utilized for the combustible gas of appliances not stocked by the electric energy.

### **FILTERING VERSION INTERNAL RECYCLING (Fig. 6)**

When you do not have the possibility to eject the air outside, you have to utilize a charcoal filter. The filter purifies the air that after returns in the surrounding. You have to act as follows :

- Remove the grid 2 (Fig. 1).
- Apply the carbon filter "L" (Fig. 1).
- Replace the grid.

On the connection flange "G", you have to apply the filtering deflector "I", on utilizing the screws 2,9x13. The deflector is utilized to deviate the air forward, to avoid to soil the rear wall. This deflector can slide on its axis to be fixed on an eventual upper wooden surface.

### **MAINTENANCE**

The effective functioning of the hood depends on the regularity with which the maintenance operations are carried out, particularly in the case of the grease filter and of the charcoal filter. The grease filter, which is applied on the grill, has the function of catching the fat and solid particles suspended in the air. It is thus subject to clogging at various intervals, according to use and the type of cooking.

In any case it is necessary to clean the filter at least every two months, for this :

- Remove the filter and wash it with a solution of lukewarm water and neutral liquid detergent, allowing the dirt to soften.
- Rinse thoroughly with lukewarm water; allow to dry and reapply the filter to the grill.
- When there is a default of washing instructions, you have a fire risk.
- The filter with red stripes is not washable and it must be replaced when the stripes appear in the

inferior side.

- The charcoal filter, present only in the filtering version, has the function of trapping odors and purifying the air.

The saturation of the charcoal filter occurs after more or less prolonged utilization, depending on the type of cooking and on the regularity of cleaning of the grease filter. In any case it is necessary to replace the cartridge at least every four months.

The grate made of cold drawn aluminium should be washed by hand or by dishwasher leaving it to dry before fitting.

### **LAMPS' REPLACEMENT**

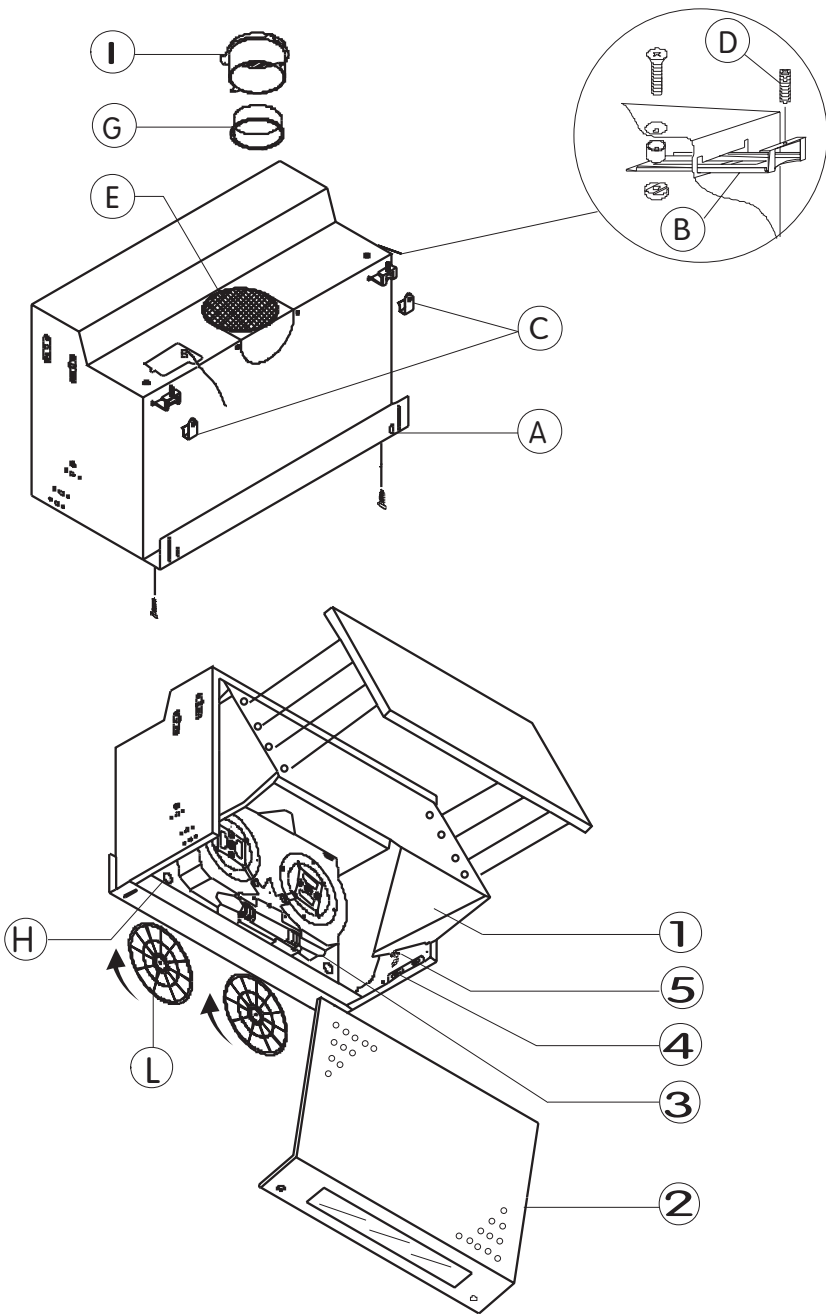
Disconnect the hood from the main.

Remove the grill.

Utilize only olive-shaped or tubular lamps.

### **ATTENTION! UNDER CERTAIN CIRCUMSTANCES DOMESTIC APPLIANCES MAY BE DANGEROUS**

- Do not check filters with hood running
- Do not obstruct vented outlets
- Do not touch lamps or lamp-covers after long periods of working
- Not to be used over eye-level grill
- No food must be cooked flambé underneath the hood
- The use of an unprotected flame is dangerous for the filters and could cause fires
- When frying foods, never leave the pan alone, because the cooking oil could flare up
- Before performing any maintenance operation, disconnect the hood from the mains
- The manufacturer refuses to accept any responsibility for eventual damages to the hood, because of failure to observe the above instructions.



**Fig. 1**

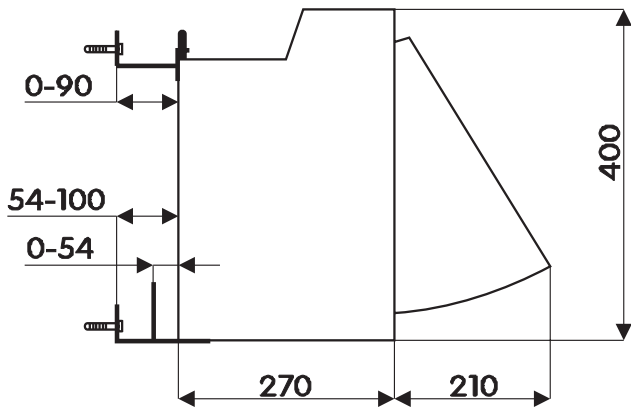


Fig. 2

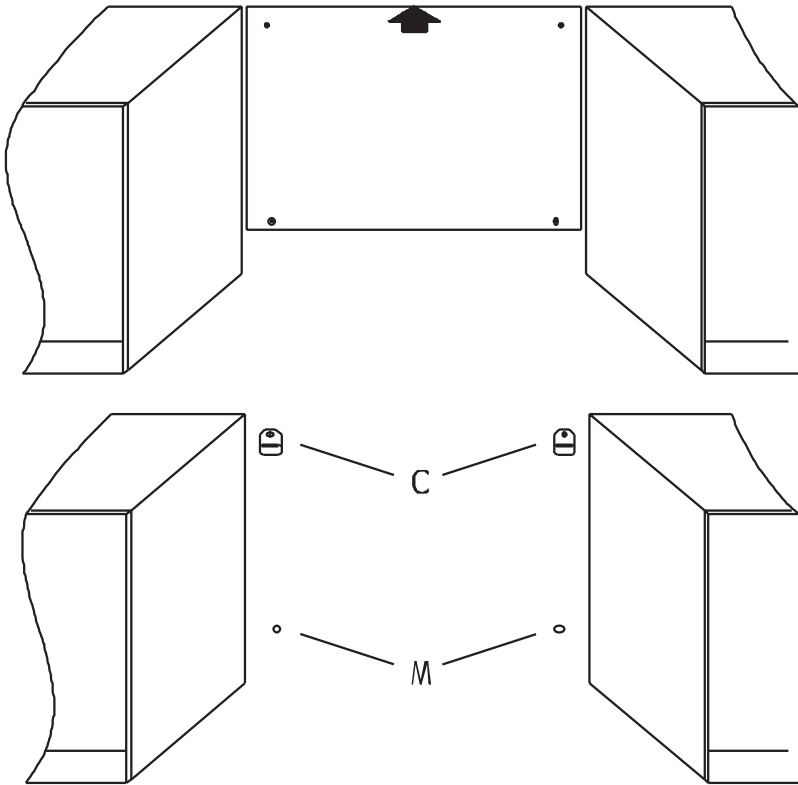
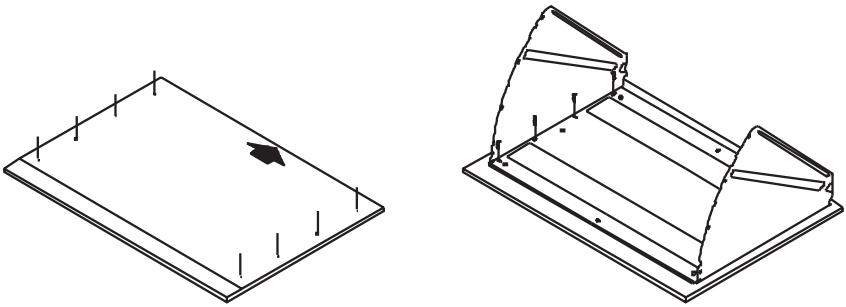
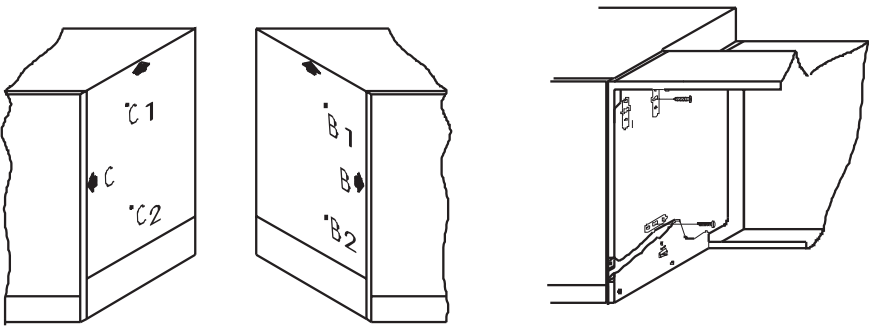


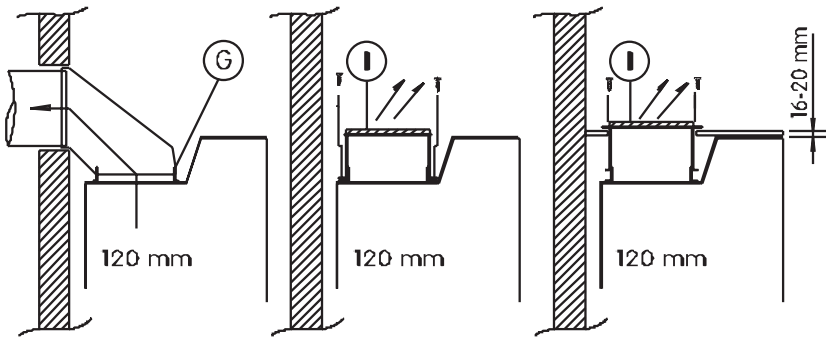
Fig. 3



**Fig. 4**



**Fig. 5**



**Fig. 6**