



# RBR3A

Caple Built Under Fridge

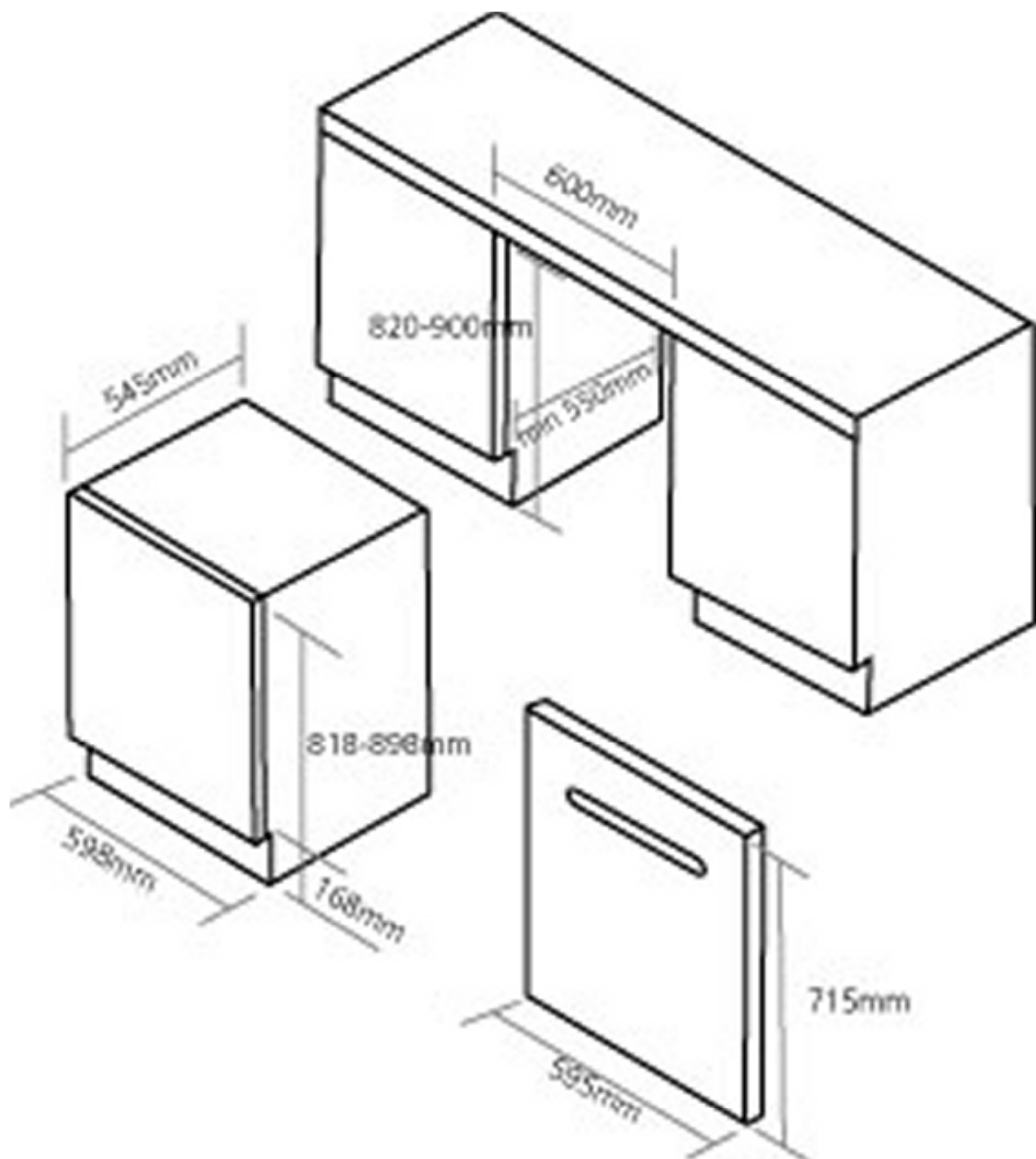


## TECHNICAL INFORMATION



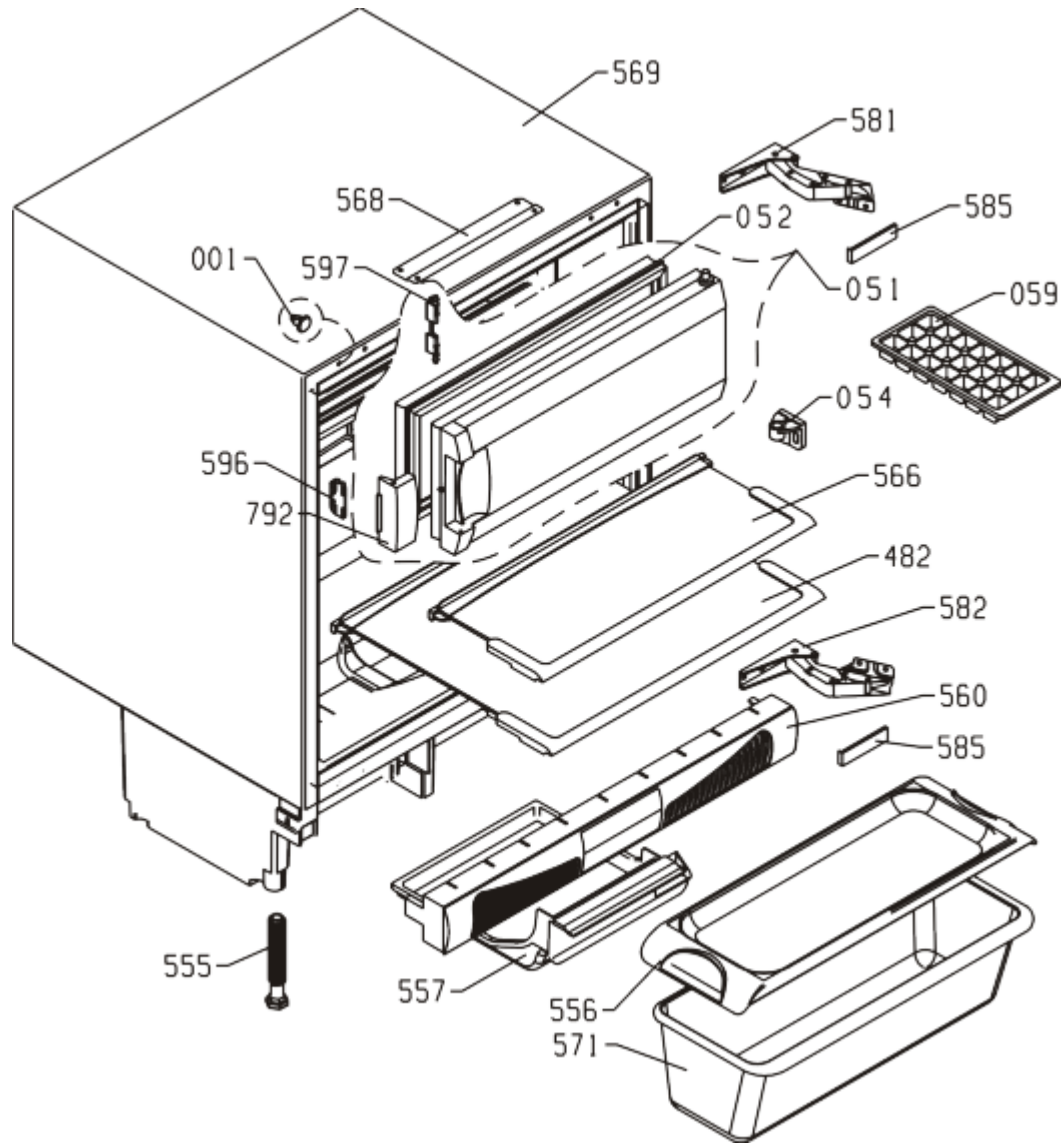
# RBR3A

Caple Built Under Fridge

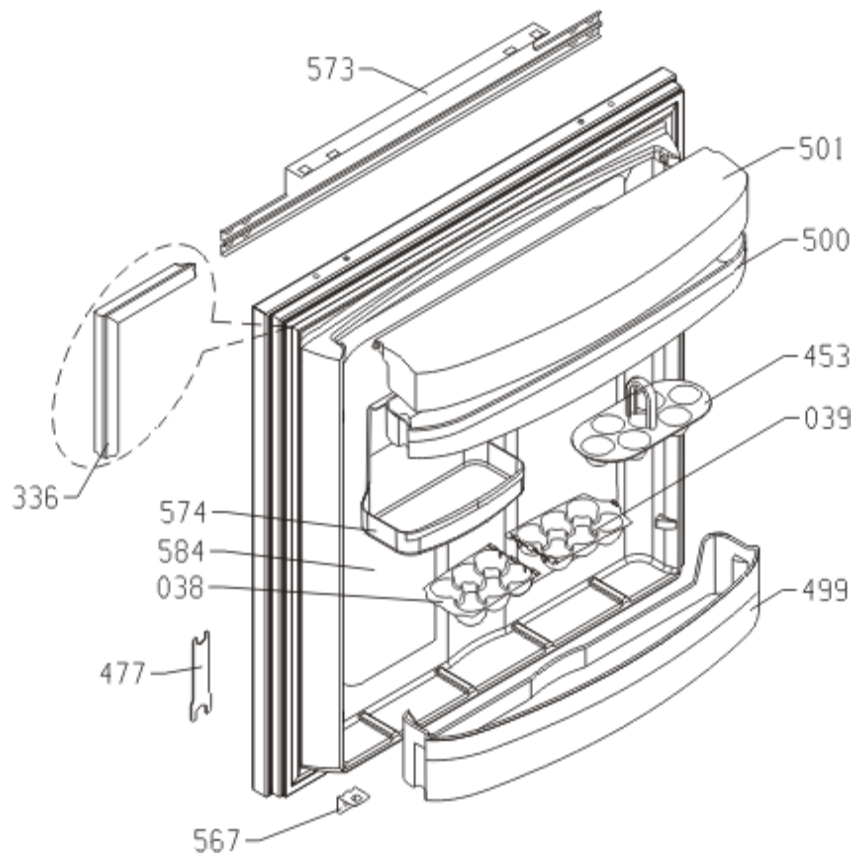




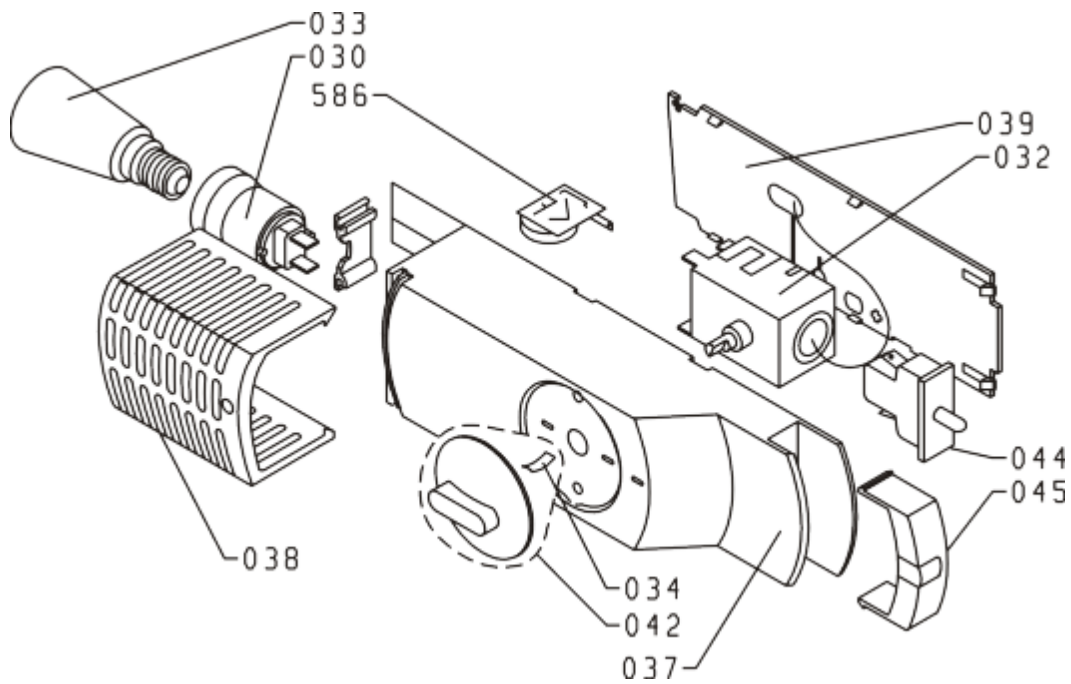
# RBR3A - Caple Built Under Fridge



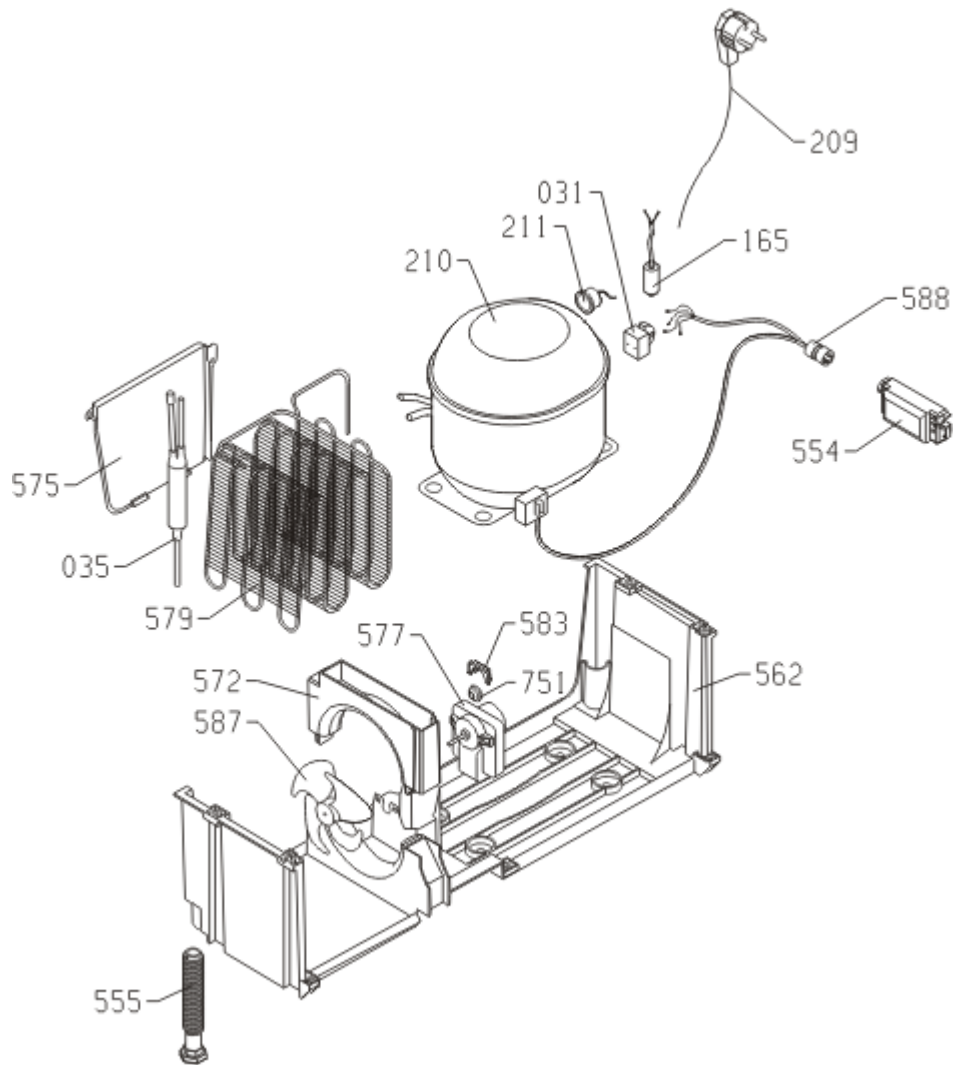
Position	Ident	Spare part name	Quantity
0001	069236	HINGE FILLING PLUG	8.000
0051	690507	EVAPORATOR DOOR HT 60 BK090 KPL	1.000
	613269	EVAPORATOR DOOR H 60 BK040 KPL NES »SPARE PART IN THE SAME BASIC COLOUR WITHOUT ANY MARK«	1.000
0052	544287	EVAPORATOR DOOR GASKET HT 60 BE	1.000
0054	310441	EVAPORATOR DOOR HINGE HL	1.000
0059	528447	ICE TRAY BK 030	1.000
0482	135641	GLASS SHELF H 60 POL 4017-KPL	1.000
0482A	647876	GLASS SHELF H 60 BK017-KPL	1.000
0555	627640	LEVELLING LEG TR20X4-120	4.000
0556	627633	CRISPER PAN COVER HPI60 BK040	1.000
0557	627650	DRIP TRAY PI6	1.000
0560	627639	AIR VENT-LOWER HL PI6 BK040	1.000
0568	647462	FIXING PLATE PI	1.000
0569	627602	INSULATED CABINET HTPI 60	1.000
0571	627632	CRISPER PAN-BIG HPI60 BK040 NES	1.000
0581	627919	DOOR HINGE PI 60-ZGORNJI	1.000
0582	627637	DOOR HINGE PI 60-SPODNJI	1.000
0585	627902	HINGE COVER BK040	2.000
0596	639831	SNAP PIN	1.000
0597	639830	EVAPORATOR DOOR SPRING	1.000
0792	639880	EVAPORATOR DOOR SUPPORT	1.000



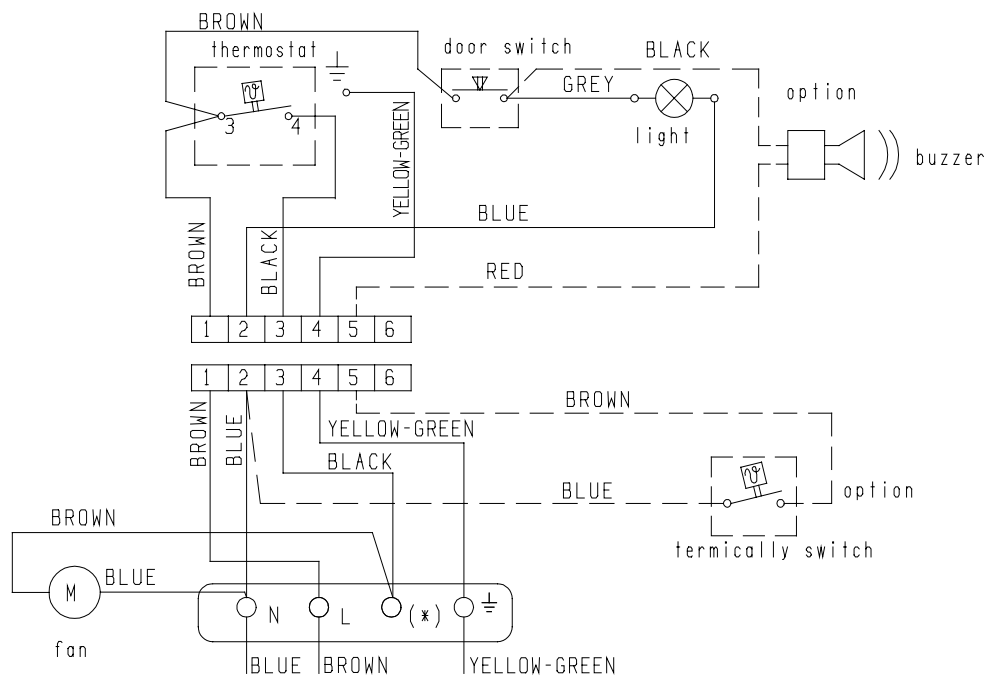
Position	Ident	Spare part name	Quantity
0336	631698	MAGNETIC GASKET L593-60-BE-MT2	1.000
0453	631725	EGG TRAY H60 BK000	1.000
0477	102703	KEY 13/17	1.000
0499	692912	DOOR TRAY-LONG H 60 BK077/NES	1.000
0500	692923	DOOR TRAY-LONG	1.000
0501	696166	DOOR TRAY COVER H60 BK077-1/703	1.000
0567	627646	DOOR SUPPORT-EXTERIO PI6 LA040	2.000
0573	627645	DOOR SUPPORT-UPPER PI6 BK040	1.000
0574	692925	DOOR TRAY-HALF H60 BK077/NES	1.000
0584	627631	INSULATED DOOR HPI 60 L592	1.000



Position	Ident	Spare part name	Quantity
0030	390682	SOCKET E 14	1.000
0032	596249	THERMOSTAT 077 B6532	1.000
0033	656407	BULB 230-240V 15W E14	1.000
0034	057596	KNOB SPRING EVK	1.000
0037	396225	THERMOSTAT HOUSING H M4E H 54	1.000
0038	530641	BULB SHIELD H M4 V	1.000
0039	396227	THERMOSTAT HOUSING COVER H M4E H54	1.000
0042	613810	THERMOSTAT KNOB H M4 V KPL	1.000
0044	534924	SWITCH LIGHT HL 404	1.000
0045	538109	SWITCH LIGHT COVER H-M4 SPS	1.000
0586	631225	BUZZER BZ 335 METALFLEX	1.000



Position	Ident	Spare part name	Quantity
0035	505879	FILTER DRS 15	1.000
0209	344610	POWER CORD PP/L/Y 3X0,5 2050	1.000
0210	627393	COMPRESSOR 220V TLY7KK2	1.000
0031	597906	STARTING RELAY PTC 103N0021	1.000
0165	631218	CAPACITOR ZD/4/5/400 ISKRA	1.000
0554	627904	CONNECTOR CABINET	1.000
0555	627640	LEVELLING LEG TR20X4-120	4.000
0562	627649	COMPRESSOR SUPPORT PI6	1.000
0572	627643	FAN COVER PI6	1.000
0575	647461	COVER PI6-KPL	1.000
0577	631210	FAN ELECTROMOTOR F 61-10	1.000
0579	627642	CONDENSER PI-H1	1.000
0583	627644	FAN SNAP PIN PI BK040	2.000
0587	631212	FAN PROPELER F61-10	1.000
0588	627370	CABLE SET HPI 60	1.000
0751	631214	FAN RUBBER	1.000



Connector \* is in the junction box market depending on producer of compressor as follows

Klemmenbezeichnung \* auf den Kompressoren anschluss bezulich an der Hersteller:

Prikljucki \* so v prikljucnici kompresorja oznaceni odvisno od proizvajalca kot sledi:

1 - GOLDSTAR, ASPERA, SICOM AE, ZANUSSI, UH, BERVA

C - DANFOSS

T - SAMSUNG, MATSUSHITA, DAEWOO

L2 - EMBRACO

- - NECCHI, SICOM AZ, CALEX

LEGEND LEGENDE LEGENDA

BLUE	BLAU	MODRA
BROWN	BRAUN	RJAVA
BLACK	SCHWARTZ	CRNA
YELLOW-GREEN	GELB-GRUEN	RUMENO-ZELENA
RED	ROT	RDECA
GREY	GRAU	SIVA
buzzer	Brummer	brenčalo
fan	Ventilator	ventilator
termically switch	Termischschalter	termično stikalo
thermostat	Termostat	termostat
door switch	Tuerschschalter	stikalo vrat
light	Lampe	zarnica