



# C210L

Caple In-Column Larder

**INSTRUCTION MANUAL**

**This section details the main safety warnings.**

**Read it carefully before installing and using the equipment.**

- Always keep the instruction manual and, if you sell the equipment, hand it over to the new owner.
- This equipment must not be installed outdoors, not even under the cover of roofing; it is extremely dangerous to expose it to rain, storms and bad weather in general.
- We recommend waiting at least an hour before connecting the equipment so that the oil in the cooling circuit is perfectly efficient.
- The equipment must be used exclusively for domestic preservation and/or freezing of food. - Packaging materials such as plastic bags, polystyrene, plastic tape must be kept out of reach of children as they are potential sources of danger.
- Do not allow children to play with the equipment, e.g. sitting in the drawers or swinging on the door. The freezer could tip over or objects on top might fall off.
- Do not use the moldings, drawers, doors or grids to stand on.
- Be careful not to damage the cooling fluid circuit during positioning, installation or cleaning. Having installed the equipment make sure it's not resting on the power cable.
- It is not advisable to use extensions or multiple plugs for connecting to the power supply.
- Never touch or operate with bare feet or wet hands or feet.
- Before carrying out any cleaning or maintenance operations, disconnect the equipment at the power outlet or switch off your entire power system.
- Each grid or basket can take a maximum distributed load of 18 kg.
- To disconnect the equipment from the mains supply, remove the plug but don't do this by pulling the cable.
- Don't put glass bottles or other containers in the freezer compartment as they might crack or break when the contents are frozen.
- Avoid flames or sparks inside the equipment.
- Do not consume food of which the storage deadline has expired, as this may cause food poisoning. - Do not obstruct the equipment's ventilation openings/grills.
- During defrosting, never use metallic objects to accelerate the process. Failure to observe this rule could cause irreparable damage to the cooling fluid circuit.
- Do not use electrical appliances (ice-cream makers, deodorizers, etc.) inside the equipment.

**Any maintenance, including replacement of the power cable, must be done by the technical assistance service or other qualified personnel. To ignore this rule is to run a very dangerous risk.**

**This appliance is designed to food-grade standards and conforms with Italian Legal Decree 108 dated 25-01-92 (European directive 89/109/EU)**

**This appliance has been developed, manufactured and marketed in compliance with:**

**Low voltage directive 73/23/EU**

**Directive EMC 89/336/EU**

**Marking directive CE 93/68/EU**

**Energy efficiency directive 96/57/EU**

## ENVIRONMENTAL INFORMATION

This equipment was designed and built with the maximum respect for the environment.

To guarantee the same scrupulosity when it's disposed of (given the presence of pollutant or inflammable materials, e.g. lubricant in the compressor), **never abandon the equipment outside. Contact the local authority responsible for collection and disposal.**

Don't throw the packaging material from your equipment in the rubbish but sort the various materials (e.g. polystyrene, cardboard, plastic bags) as required by local waste disposal authorities in pursuance of current legislation.

This equipment does not contain CFCs (the cooling circuit contains R134a) or HFC's (the cooling circuit contains R600a - ISOBUTANE).

To check what gas is used, see the technical data plate on the equipment.

### For equipment with ISOBUTANE (R600a)

Isobutene is a natural gas that doesn't affect the environment, but it is inflammable.

It is therefore indispensable to check that the cooling circuit tubing is not damaged before connecting the equipment to the mains.

- For every 8 g of cooling fluid, the installation location must have a minimum volume of 1 cubic meter. The amount of cooling fluid in the appliance is indicated on the technical data plate inside the freezer.
- Leakage of cooling fluid: avoid naked flames or other sources of ignition at the seat of the leakage.

## INSTALLATION

The appliance should be installed by two persons, so as not to injure people or damage things.

If damage occurs while the appliance is being dispatched, advise the supplier immediately before connecting it.

Read the climatic class of the appliance on the specification plate located on the inner left side,

"SN" (works at ambient temperatures ranging ) from +10°C to +32°C

"N" (works at ambient temperatures ranging) from +16°C to +32°C

"ST" (works at ambient temperatures ranging) from +18°C to +38°C

"T" (works at ambient temperatures ranging) from +18°C to +43°C.

Install the appliance in a dry and well aired place, away from heat sources, such as radiators, stoves, cookers, sun rays etc.

The appliance must be installed on stable and flat surface, by adjusting the feet, if any.

A gap of at least 20mm and 100mm must be left between the rear of the appliance and the wall towards any wall-mounted, units above the appliance.

Do not place on the refrigerator/freezer any heat-emitting appliances such as: microwave ovens, toasters etc.

Should the refrigerator be enclosed, in the kitchen cabinet make sure airing gap "**A**" is at least 200 cm<sup>3</sup>, and the venting duct on the rear of the cabinet is at least 50mm deep, follow the instructions in the figures about installation.

Make sure that no appliances or electric components are installed near the vents

## **CAUTION**

Easy access must be provided to the appliance power socket so that it can be unplugged in case of need. If this cannot be done, connect the appliance to the mains (line) via a two-way switch with an opening contact of at least 3 mm, located in an accessible place.

## **ELECTRIC CONNECTION**

**The appliance must be by law plugged into a socket fitted with an earth (ground) contact. Therefore the appliance is supplied with an earthed plug that must be plugged into a compatible socket. The manufacturer declines all responsibility for any injuries or damage caused by the non-compliance with this regulation.**

Check the voltage shown on the specification plate located on the inner left side of the unit, and make sure that it matches the mains voltage.

### **How to replace the internal lamp bulb**

Remove the power plug or switch off the main power switch of the local electric system before replacing the bulb. Use only bulbs with a power equal to the value given on the bulb guard (e.g. max 15watts).

## **GETTING TO KNOW THE APPLIANCE.**

The refrigerator you have purchased, with model variations, is designed to store fresh foods and, if supplied with a Deepfreeze compartment it can store frozen foods and freeze fresh foods (see paragraph on freezing).

### **Temperature control.**

The thermostat lets you regulate the temperature gradually.

Setting 0 means stopped appliance operation.

Setting 1 means minimum operation.

Setting 7 means maximum operation. Remember that thermostat regulations are sensitive to variations owing to the ambient temperature, amount of stored food, location and how often the doors are opened.

By experience you will learn the best regulation for your needs.

The space inside the refrigerator can be organized varyingly by moving the wire shelves and solid shelves to suit your requirements. To move the shelves, lift the rear, pull them forwards until the front slides out of the runners, turn them down and pull them out fully, select the required position and insert the shelf by repeating the above steps in reverse order.

## **FOOD STORAGE**

In the refrigerator compartment the temperature varies from section to section.

The coldest sections are immediately above the fruit and vegetable drawers, next to the rear wall.

In the deep-freeze compartment where temperatures reach  $-18^{\circ}\text{C}$  frozen foods can be stored for several months. We suggest the thermostat be set to settings 4 to 5.

The storage time of frozen foods is usually indicated on the package.

If a product starts to defrost it must not under any circumstances be refrozen and must be consumed as soon as possible.

Every drawer and every cooling plate can bear a maximum distributed load of 20 kg.

To optimize preservation of aromas, substance and freshness, we suggest food be wrapped aluminum foil or polythene film, placed in special containers with lids.

**CAUTION: Do not place glass containers with liquids in the deep-freeze compartment or hot foods in the refrigerator compartment.**

Foodstuffs that tend to absorb odors and tastes, liquids and foods with high alcoholic proof, must be stored in airtight containers and stood upright.

### **ICE CUBE PRODUCTION**

*Only per freezers and appliances with a deep-freeze compartment.*

Fill the special pans three quarters with water and place them in the compartment.

Should the pans stick on the bottom of the compartment as they freeze, do not try to remove them with sharp or pointed objects, they might damage the appliance, instead use a spoon handle.

**CAUTION: Do not eat ice cubes or ice lollies (Popsicles) straight after removing them as they might cause frozen burns.**

### **FREEZING GUIDELINES**

*Only for appliances fitted with a fast freeze button.*

- Prevent the foods you wish to freeze from contacting any pre-frozen items.
- Always insert dry packages to stop many packages from freezing together into a single block.
- Always split foods into portions so they can be quickly frosted.
- To freeze the maximum amount of foodstuffs shown on the specification plate, follow the guidelines below.
- Press the quick freeze button 24 hours before freezing.
- Use the upper shelves, for quick freezing; never freeze foods in the last drawer.
- Freeze packaged foods without using sliding drawers, place them directly on the wire cooling shelves and then, once they are frozen, put them in the sliding drawers.
- Disable the quick freeze button 26 hours after freezing started. The yellow superfrost light will switch off and the appliance will resume normal energy saving operation.
- Small amounts of food (up to 2 kg) can be frozen without pressing the quick freeze button and with the drawer in place.

### **FREEZING GUIDELINES**

*Only for appliances without a quick freeze button.*

- Prevent the foods you wish to freeze from contacting any pre-frozen items.
- Always insert dry packages to stop many packages from freezing together into a single block. - Always split foods into portions so they can be quickly frosted.
- To freeze the maximum amount of foodstuffs shown on the specification plate follow the guidelines below.
- Turn the thermostat knob to settings 4 to 5, 24 hours before freezing.
- Spread the foodstuffs on the top shelf (where provided) and do not open the door unnecessarily. If required, open it only briefly.
- 26 hours after freezing started, turn the thermostat knob back to the required setting.

### **DEFROSTING OF THE APPLIANCE**

If the refrigerator does not have a deep-freeze compartment, defrosting will occur automatically. While defrosting water drops run down the rear wall of the unit. The water is conveyed along a raceway and flows onto the tub located on the compressor where it evaporates.

If the refrigerator is equipped with a deep-freeze compartment, we suggest you periodically wipe excess hoarfrost from the inside and/or wire cooling shelves (3/4mm) to minimize electricity consumption.

Never use sharp objects or metal tools, humidifiers, heaters, hair-dryers, antifreeze spray for this operation. They might damage the refrigerating circuit irreparably and pose a hazard in appliances operating with R600a.

Take the following steps to defrost:

- Unplug the appliance or switch off the main power switch
- Take foods out of the deep-freeze compartment
- Turn the thermostat to setting 0
- Wipe up the water produced by defrosting with a sponge or cloth
- Dry the walls and/or wire cooling shelves Plug in the appliance, turn the thermostat as required (Refer to the paragraph entitled "Getting to know the appliance").

## **MAINTENANCE AND CLEANING**

Unplug the appliance before commencing any kind of maintenance.

To clean the inside of the appliance and accessories we suggest you use a water and vinegar solution; never use abrasives, detergents or soap.

The shelves are attached to the sides of the door frame.

Clean periodically the water drain hole, located on the rear wall with a ramrod or a blunt stick.

Clean the door gasket with water and dry carefully.

If the appliance must be idle in the long term, unplug and empty it, clean the inside and leave the door open (to prevent bad stench).

## **WARNING**

**Under no circumstances should a steam cleaner ever be used for defrosting or cleaning. Steam may damage live parts of the equipment and cause a short circuit or electric shocks. Steam may damage plastic parts.**

## **ENCLOSING CABINET INSTRUCTIONS**

Fitting the appliance into the enclosing cabinet see page 8.

- Check that the dimensions of the enclosing cabinet and appliance are compatible.
- If necessary, mount plastic beam B on the upper frame C made of sheet steel.
- Position the appliance by aligning the upper frame C (or the plastic beam B) with the corner of the enclosing cabinet.
- Shorten strip D to height of the notch and mount it with its adhesive side glued to the wall of the appliance.
- Push the appliance against the cabinet wall to press in strip D and tighten the top and bottom fastening screws.
- Mount the brackets for runner E on the outside of the appliance door (using the existing holes) and with the doors fully open, fit the door runner F on the cabinet door.
- Adjust the coupling between the appliance door and cabinet door and cover the runner screws with special adhesive caps.

## **REVERSIBLE DOOR**

- Remove the caps of pin R from the top and bottom left hinge
- Remove the caps of the top and bottom door heads and replace them with the sleeves supplied.
- Close the appliance door, loosen side screws S used to lock pins T. Then slide the lock pins into their hinges. Then remember to fasten them.
- Move the plastic adjusting washers, making sure you do not reverse the numbers between the top and bottom hinges.
- Loosen the side screws used to support the left hinge pins. Then slide the hinge pins into the previously fitted door head sleeves and remember to insert the adjusting washers and fit the pins.

NB: The material supplied is contained in the bag placed in the vegetable drawers.

## **REVERSIBLE FREEZER COMPARTMENT DOOR (IF SUPPLIED)**

- Detach door stopper Y, hinge bracket X and remove the door.
- Remove the 4 hole caps (2 on the right and 2 on the left)
- Fit door stopper Y on the right side of the appliance.
- Turn over and insert the door with its handle on the right.
- Turn over and mount hinge bracket X on the left.
- Seal the remaining holes using the 4 caps that you removed.

## **TECHNICAL SUPPORT**

Irregular operation is not always caused by a defect in the appliance, but rather by bad installation or misuse.

To avoid unnecessary maintenance jobs and expenses incurred by calling technical support, we suggest you follow the guidelines below:

### **The internal temperature is not cold enough.**

#### ***Check:***

- The door closes perfectly;
- The thermostat is correctly positioned
- The refrigerator is not near any heat sources
- The refrigerator is not leaning against the walls and air circulates freely
- There is no excess hoarfrost in the deep-freeze compartment.

### **The internal temperature is too cold**

#### ***Check:***

- The thermostat is turned to the correcting setting

### **The appliance is too noisy**

#### ***Check:***

The appliance is properly leveled

The rear coil does not touch the back wall

### **The appliance does not work at all**

#### ***Check:***

- The thermostat is not set to 0
- Power supply is not disconnected
- The plug has a firm contact in the wall socket
- The power cable is not broken (see "Caution" paragraph)

### **Some water seeps out of the refrigerator**

#### ***Check:***

- The drainage circuit
- The compressor evaporation tub is full of residues and must be cleaned. If normal operation cannot be achieved after completing the above checks, contact your nearest service center. Please see the attached slip to find out where it is.

**The manufacturer shall not be held responsible for any damages that may, directly or indirectly, be caused by persons, pets or things, resulting from the failure to comply with all the guidelines given in the instruction handbook. These especially concern precautions to be taken during installation, operation and maintenance. The manufacturer also reserves the right to make any changes that may be deemed appropriate for technical refinement or commercial development at any time and without having to give prior notice.**

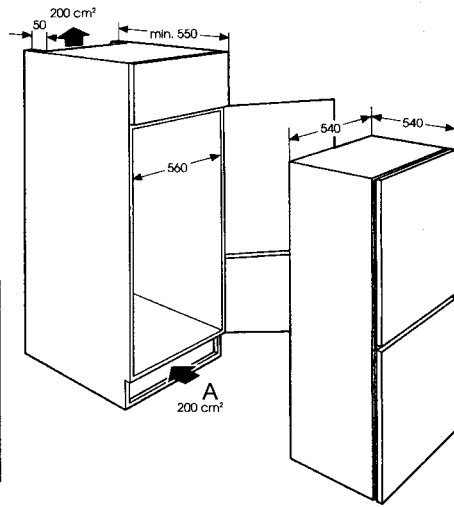
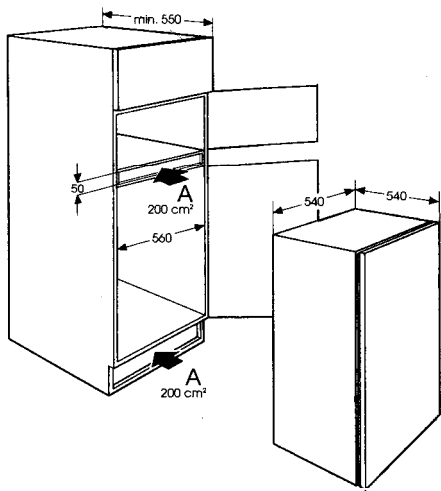
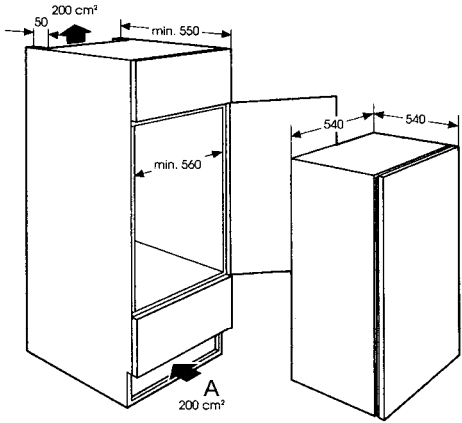


Fig. 1

## **CAPLE "Built-in" Service**

Should you require service at any time, please contact the **Caple Help line on 0870 2411142**.

**Caple** have a nationwide service network of engineers who will respond quickly to your call.

Always replace spare parts with genuine Caple spares. These are available from authorized **Caple Service Centers** or by mail order from our **National Service Stores, simply telephone 0870 2411142**. When ordering parts always quote the model number and serial number of your appliance.

### **YOUR GUARANTEE**

CAPLE guarantees all parts of this product for one year from the date of purchase. During that time, should it become necessary CAPLE engineers will replace or repair all defective parts free of charge, except for parts subject to fair wear and tear, such as light bulbs.

Parts and the engineers labour costs are chargeable after the first 12 months.

To qualify for benefits under the guarantee, you must be able to provide proof of date of purchase and the appliance must have been supplied, installed and used for domestic purposes only in accordance with CAPLE instructions.

Consequential losses and accidental damage to the product are not covered by the guarantee.

This guarantee does not affect your statutory or common law rights.

CAPLE cannot be responsible for the results of using this appliance for any other purposes other than those described in these instructions.