



RFF551

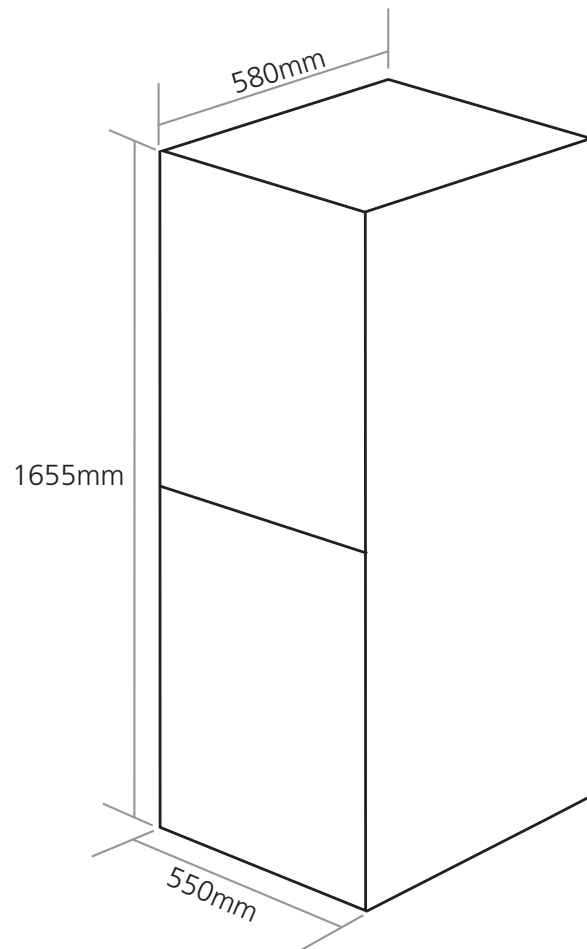
Caple Freestanding Fridge/Freezer

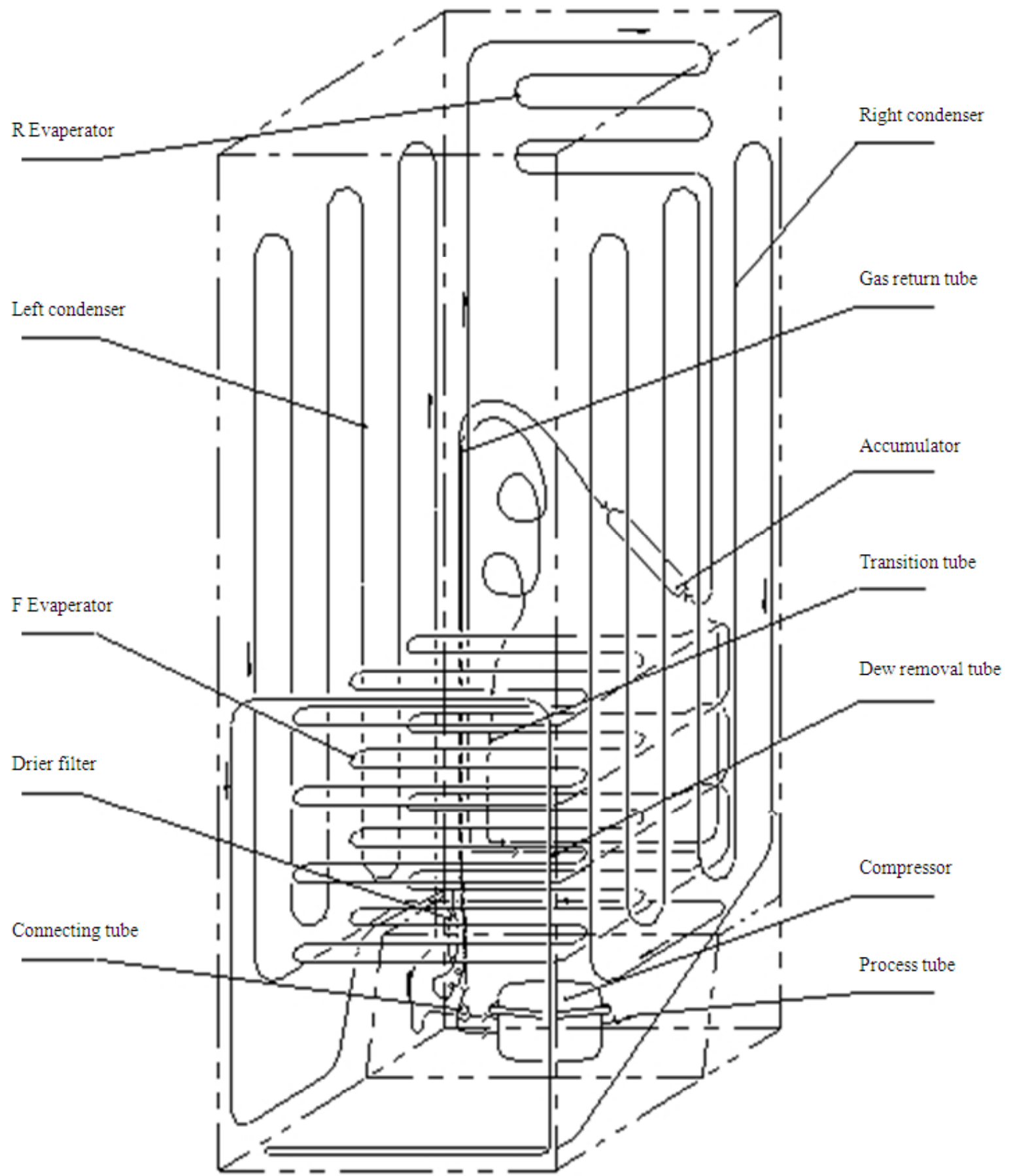


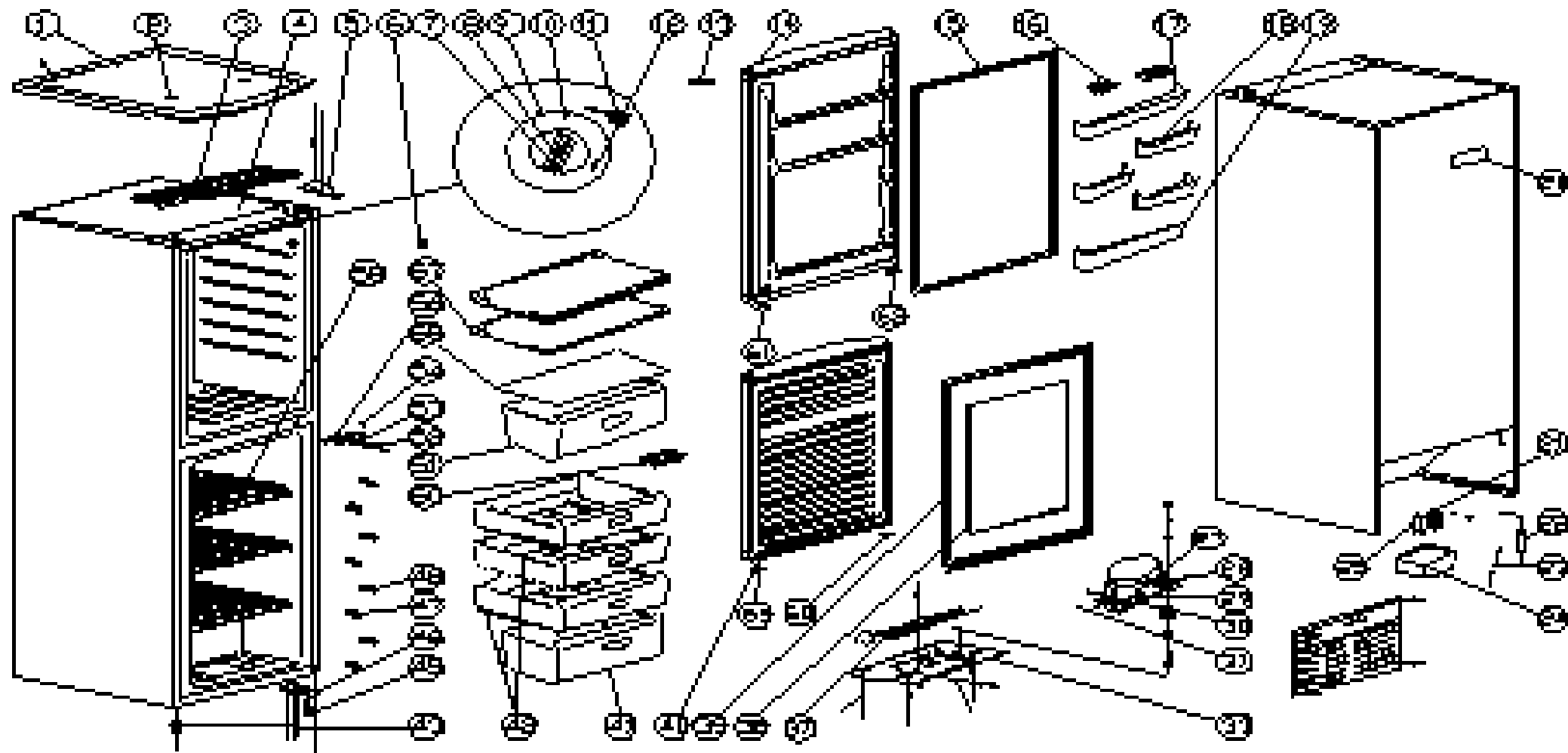
Technical information

Product installation diagrams

Models:
RFF551









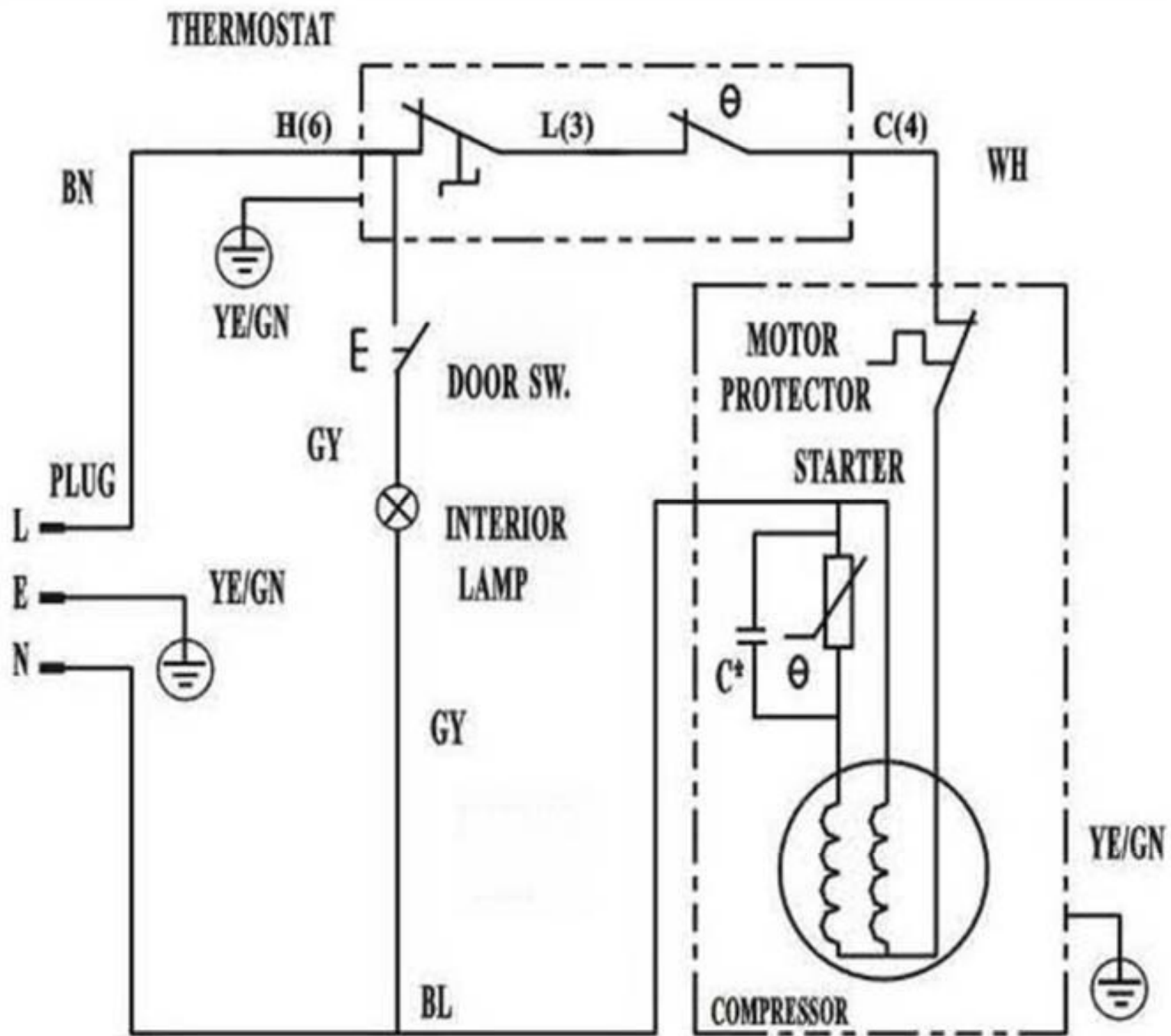
RFF551 - Caple 50/50 Freestanding Fridge/Freezer

Item	Part Code	Description	Qty
1	20014983	Top cover	1
3	20011605	Support plate of top cover	1
4	10010810	Cabinet	1
5	20020251	Upper Hinge Assembly	1
6	20050016	Door Switch	1
7	20050257	LED light	1
8	20014165	Lamp Cover	1
9	20014164	Thermostat cover	1
10	20014166	LED light holder	1
11	20060567	Thermostat	1
12	20013915	Thermostat Knob	1
13		Trade mark	0
14	10022038	Upper Door	1
15	20012867	Upper Door Gasket	1
16	20012456	Egg Rack (n/a)	0
17	20012259	Upper Rack	1
18	20012263	Small rack	3
19	20012257	Lower Rack	1
20	20202419	Rating label	1
21	20014437	Wire Box	1
22	20060745	Drier filter (for R600a)	1
24	20012807	Drain pan	1
25	20014438	Base of wire box	1
27A	20060046	Connecting tube (short)	1
27B	20060020	Connecting tube (long)	1
28	20060010	Process tube	1
29	20060466	Compressor	1
30	20050009	Connecting wire of compressor	1
31	20050008	Earthing wire of compressor	1
33	10201405	Compressor Base Support	1
37	20050244	Power supply cord plug	1
38	20012869	Inner door gasket	1
39	20012868	Lower Door Gasket	1
40	10022039	Lower Door	1
41	20013559	Lower Drawer	1
42	20012280	Middle Drawer	1
43	20011863	Long adjustable foot	1
45	20010343	Short adjustable foot	1
46	20021371	Lower Door Hinge Assembly	1
47	20011445	Left Position Block	1



RFF551 - Caple 50/50 Freestanding Fridge/Freezer

Item	Part Code	Description	Qty
48	20011436	Right Position Block	1
51	20013160	Crisper drawer	2
53	20021249	Middle Door Hinge	1
55	10200553	Cover of Crisper Box	1
56	20012230	Cushion for Door Hinge	1
57	10202644	Shelf of refrigerator chamber	2
58	20060320	Evaperator of freezer	1
59	20010348	Lower door right aid-closer	1
60	20010460	Lower door left aid-closer	1
61	20010345	Right limit block of door	1
62	20010452	Left limit block of door	1
65	20036149	Carton	1



Trouble shooting guide

No	Problem	Possible Cause	What To Do
1	The refrigerator does not get cold at all.	Not plugged in.	Plug in
		Is the circuit breaker tripped or blown fuse?	Put on the home circuit breaker or change the new fuse.
		Is the refrigerator temperature control setted at "off"?	Set the temperature control knob at "4".
2	The refrigerator does not get cold enough.	Is the refrigerator control dialed set to correct location?	Set it to a colder temperature.
		Is the refrigerator placed in direct sunlight or closely a heat source?	Move the refrigerator to proper location.
		Is the door closed completely ?	Close the door completely.
		Is the door opened too frequently or too long ?	Open the door less often,
		Does the door gasket seal properly?	Make the gasket sealing properly.
Is the refrigerator overloaded?	Load less food into it.		
3	The food in the refrigerator is frozen	Is the refrigerator control dialed set to correct location?	Set it to a warmer temperature.
		Is the ambient temperature too low?	
4	The front frame and two sides of the cabinet are hot: condensation occurs.	Hot-pipe is installed in the front frame and two sides of refrigerator. That makes refrigerator's temperture lowquckly and save the power consumption	Normal state.
		Condensation can occur when you leave the door open for a long time.	Normal state.
5	Vibrations	The refrigerator is not level and firm.	Place the refrigerator in a level location.
6	The refrigerator is noisy.	Water bubbling comes from the refrigerant circulating of the refrigerator.	Normal state.
		Contraction and expansion of the insulation inside the walls may cause popping and cracking.	Normal state.
		Is the refrigerator unstable or touching the wall?	Keep the refrigerator leaving the wall.
		Is the refrigerator not level?	Adjust the refrigerator leveling.
7	The door can not close properly.	Were the doors not properly installed?	Assure the doors installed properly.
		Is the door gasket dirty and distortion?	Cleaning and flatting the door gasket.
8	The lamp does not work.	Has the home circuit breaker or fuse tripped?	Put on the home circuit breaker or change the new fuse.
		Is the refrigerator's door close completely?	Assure the door close completely.
9	Operating for all long time.	Is the ambient temperature too high?	
		Is the temperature controller in freezer chamber or in refrigerator chamber is set at "strong" position	Sets it at a right position.
		Too much food is loaded into the refrigerator and insufficient spaces for airflow.	Load less food into the refrigerator.
		The door were not closed completely or the gasket not sealing enough.	Close the doors completely or make the gasket sealing enough.
		Open the door too frequently.	Decrease the open-door times.