


## Instruction manual for french door fridge freezer

Model code: CAFF30



## Contents

Safety and warning information.....	2	Using your appliance.....	13
Installing your new appliance.....	8	Helpful hints and tips.....	17
Description of the appliance.....	10	Cleaning and care.....	18
Display controls.....	11	Troubleshooting.....	19
		Disposal of the appliance.....	20

 This appliance is in accordance with the following EU guidelines: 2006/95/EC and 2004/108/EC and 2009/125/EC and EC.643/2009 and 2002/96/EC



## Safety and warning information

For your safety and correct usage, before installing and first use of the appliance, read this user manual carefully, including its hints and warnings. To avoid unnecessary mistakes and accidents, it is important to make sure that all people using the appliance are thoroughly familiar with its operation and safety features. Save these instructions and be sure that they remain with the appliance if it is moved or sold, so that anyone using it, throughout its life, will be properly informed on its usage and safety notices. For safety reasons keep the precautions of these user's instructions as the manufacturer is not

responsible for damages caused by omission of these instructions.

### **Safety for children and others who are vulnerable people**

- This appliance can be used by children aged from 8 years and above and persons with reduced physical, sensory or mental capabilities or lack of experience and knowledge if they have been given supervision or instruction concerning use of the appliance in a safe way and understand the hazards involved. Children must not play with the appliance. Cleaning and user maintenance must not be made by children without supervision.
- Keep all packaging away

from children as there is risk of suffocation.

- If you are discarding the appliance, pull the plug out of the socket, cut the connection cable (as close to the appliance as you can) and remove the door to prevent children playing from suffering an electric shock or from closing themselves inside it.
- If this appliance featuring magnetic door seals, is to replace an older appliance which has a spring lock (latch) on the door or lid, be sure to make the spring lock unusable before you discard the old appliance. This will prevent it from becoming a death trap for a child.

### General safety



● **WARNING** — This appliance is intended to be used in household and similar applications such as -farm houses and other residential type environments -bed and breakfast type environments; -and similar non-retail applications

- **WARNING** — Do not store explosive substances such as aerosol cans with a flammable propellant in this appliance.
- **WARNING** — If the supply cord is damaged, it must be replaced by the manufacturer, its service agent or similarly qualified persons in order to avoid a hazard.
- **WARNING** — Keep ventilation openings, in the appliance enclosure or in the built-in structure, clear of obstruction. **WARNING** — Do not use mechanical devices or other
  - to accelerate the defrosting process, other than those recommended by the manufacturer.
- **WARNING** — Do not damage the refrigerant circuit. **WARNING** — Do not use electrical appliances inside the food storage compartments of the appliance, unless they are of the type recommended by the manufacturer.

- **WARNING** — The refrigerant and insulation blowing gas are flammable. When disposing of the appliance, do so only at an authorized waste disposal centre. Do not expose to flames.
- **WARNING** — Fill with drinking water only.

## Refrigerant

The refrigerant isobutene (R600a) is contained within the refrigerant circuit of the appliance, a natural gas with a high level of environmental compatibility, which is nevertheless flammable. During transportation and installation of the appliance, ensure that none of the components of the refrigerant circuit become damaged. The refrigerant (R600a) is flammable.



### **Caution: risk of fire**

If the refrigerant circuit should be damaged:  
 - Avoid open flames and sources of ignition. -  
 Thoroughly ventilate the room in which the appliance is situated.  
 It is dangerous to alter the

specifications or modify this product in any way. Any damage to the cord may cause a shortcircuit, fire, and/or electric shock. Contact Caple Service.



### **Electrical safety**

1. The power cord must not be lengthened.
2. Make sure that the power plug is not crushed or damaged. A crushed or damaged power plug may overheat and cause a fire.
3. Make sure that you can access the main plug of the appliance.
4. Do not pull the main cable.
5. If the power socket is loose, do not insert the plug. There is a risk of electric shock or fire.
6. You must not operate the appliance without the interior lighting lamp cover.
7. The fridge is only applied with power supply of single phase alternating current of 220~240V/50Hz. If fluctuation of voltage in the district of user is so large that the voltage exceeds the above scope, for safety sake, be sure to apply an A.C.

Automatic voltage regulator of more than 350W to the fridge. The fridge must employ a special power socket instead of common one with other electric appliances. Its plug must match the socket with ground wire.

### Daily use

- Do not store flammable gass or liquids in the appliance, There is a risk of an explosion.
- Do not operate any electrical appliances in the appliance (e.g. electric ice cream makers, mixers etc.).
- When unplugging always pull the plug from the mains socket, do not pull on the cable.
- Do not place hot items near the plastic components of this appliance.
- Do not place food products directly against the air outlet on the rear wall.
- Store pre-packed frozen food in accordance with the frozen food manufacture's instructions.
- The appliances manufactures storage recommendations should be strictly adhered to. Refer to rellevant instructions for storage.
- Do not place carbonated or fizzy drinks in the freeze compartment as it creates pressure on the container, which may cause it to explode, resulting in damage to the appliance.
- Frozen food can cause frost burns if consumed straight from the freezer compartment.
- Do not place the appliance in direct sunlight.
- Keep burying candles, lamps and other items with naked flames away from the appliance so that do not set the appliance on fire.
- The appliance is intended for keeping food stuff and/or beverages in normal household as explained in this instruction booklet The appliance is heavy. Care should be taken when moving it.
- Do not remove nor touch items from the freezer compartment if your hands are damp/wet, as

this could cause skin abrasions or frost/freezer burns.

- Never use the base, drawers, doors etc. to stand on or as supports.
- Frozen food must not be refrozen once it has been thawed out.
- Do not consume ice popsicles or ice cubes straight from the freezer as this can cause freezer burn to the mouth and lips.
- To avoid items falling and causing injury or damage to the appliance, do not overload the door racks or put too much food in the crisper drawers.

### **Caution!**

#### **Care and cleaning**

- Before maintenance, switch off the appliance and disconnect the mains plug from the mains socket.
- Do not clean the appliance with metal objects, steam cleaner, ethereal oils, organic solvents or abrasive cleansers.
- Do not use sharp objects to remove frost from the appliance. Use a soft plastic scraper.

#### **Installation Important!**

For electrical connection

carefully, follow the instructions given in this manual.

- Unpack the appliance and check if there is any damage to it. Do not connect the appliance if it is damaged. Report any possible damages immediately to the place you bought it. In this case retain packing.
- You must wait at least 12 hours before connecting the appliance and switching it on to allow the oil to flow back in the compressor.
- Adequate air circulation should be around the appliance, reducing this leads to overheating. To achieve sufficient ventilation, follow the instructions relevant to installation.
- Wherever possible the back of the product should not be too close to a wall to avoid touching or catching warm parts (compressor, condenser) to prevent the risk of a fire, follow the instructions relevant to installation.
- The appliance must not be located close to radiators or cookers or other heat sources
- Make sure the mains plug is accessible after the installation of the appliance.

## **Service**

- Any electrical work required to do the servicing of the appliance should be carried out by qualified electrician or competent person.
- This product must be serviced by an authorized Caple Service Center, and only genuine spare parts must be used.

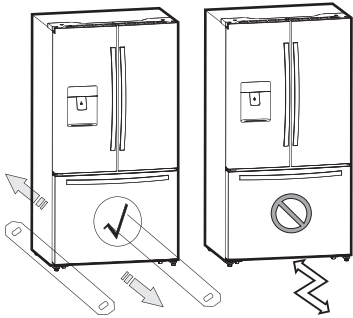
Caple service can be contacted by telephone on 0117 938 7420 or by email [service@caple.co.uk](mailto:service@caple.co.uk)

## Installing your new appliance

This section explains the installation of the new appliance before using it for the first time. We recommend reading the following tips.



For proper installation, this refrigerator must be placed on a level surface of hard material that is the same height as the rest of the flooring. This surface should be strong enough to support a fully loaded refrigerator, or approximately 266 lbs. (120 kg). When moving, be sure to pull out and push back the unit in straight.



### Location and ambient room temperature limits

It's essential to find a suitable place to locate your new appliance to ensure its efficient operation. Please consider the following instruction for your appliance:

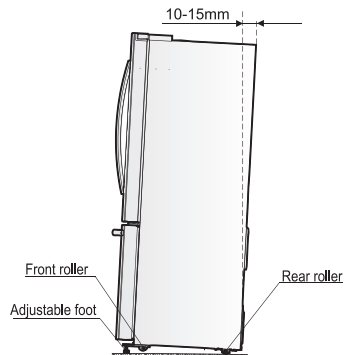
- Install the appliance in a dry and low moisture area. The best range of ambient temperature for appliance is 10°C~43°C.
- Keep the appliance away from heat sources, such as stoves, fires places or heaters.
- Keep the appliance out of direct sunlight, and rain.

Class	Symbol	Ambient Temperature range(°C)
Extended Temperate	SN	+10 to +32
Temperate	N	+16 to +32
Subtropical	ST	+16 to +38
Tropical	T	+16 to +43

### Leveling of appliance

For proper leveling and to avoid vibration, this appliance is provided with adjustable feet in front. Please adjust the level by following below instructions:

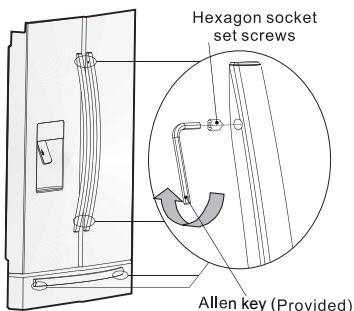
1. Roll the refrigerator into place.
2. Turn the adjustable feet (with your fingers or a suitable spanner) until they touch the floor.
3. Tilt back the top backwards for about 10-15 mm by turning the feet 1~2 turn further. This will allow the doors to self-close and seal properly.
4. Whenever you want to move the appliance, remember to turn the feet back up so that the appliance can roll freely. Reinstall the appliance when relocating.



**Warning:** The rollers, which are not castors, should be only used for forward or backward movement. Moving the refrigerator sideways may damage your floor and the rollers.

## Adjusting the door handle

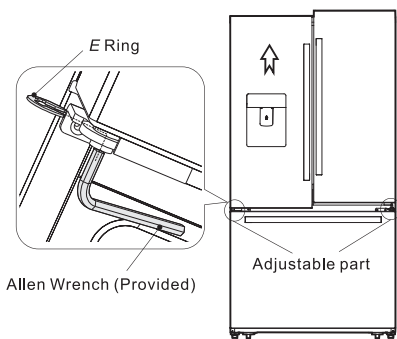
Before you use the appliance, please check the refrigerator handles. If the handles are loose, please adjust them by using an Allen key in the clockwise direction until the handles are securely in place. Each one of the handles is fitted with 2 screws.



## Adjusting the doors

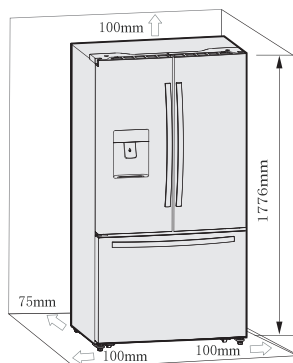
● Both left and right doors are equipped with adjustable axes, which are located in the lower hinges.

● Before adjusting its doors, please ensure that the refrigerator is level. Please review the previous section on "Levelling appliance". If you find the top of the doors are uneven, insert the Allen key into the hinge axis, and turn it clockwise to raise the door or anticlockwise to lower the door, and insert an E Ring into the gap.

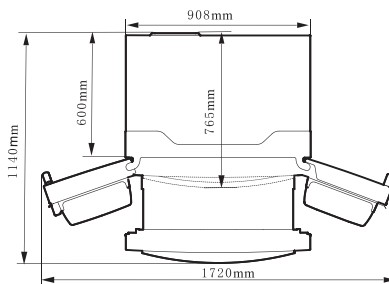


## Ventilation of appliance

In order to improve efficiency of the cooling system and save energy, it is necessary to maintain proper ventilation around the appliance for heat dissipation. For this reason, sufficient space should be provided around the refrigerator and the area should be clear of any obstruction that affects the air circulation.



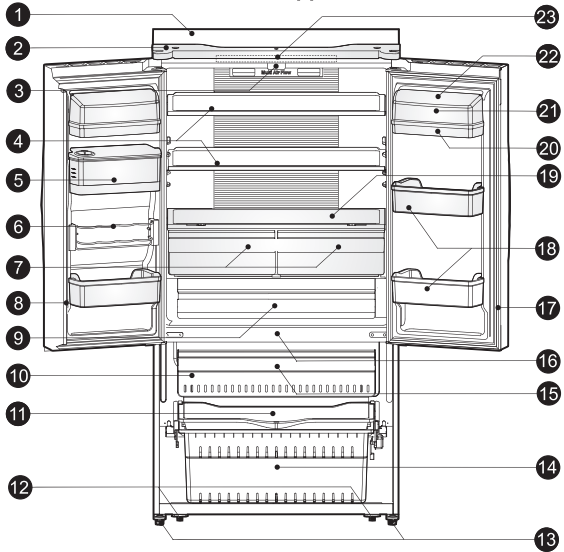
**Suggestion:** It is advisable leaving at least 75mm of clearance from the back of appliance to the wall, and at least 100mm from top, and on both sides. When positioned in a corner area, provide a clear space at least 406mm on the each hinge side to allow the doors to open enough to enable the removal of drawers and shelves. As shown in the following diagram.



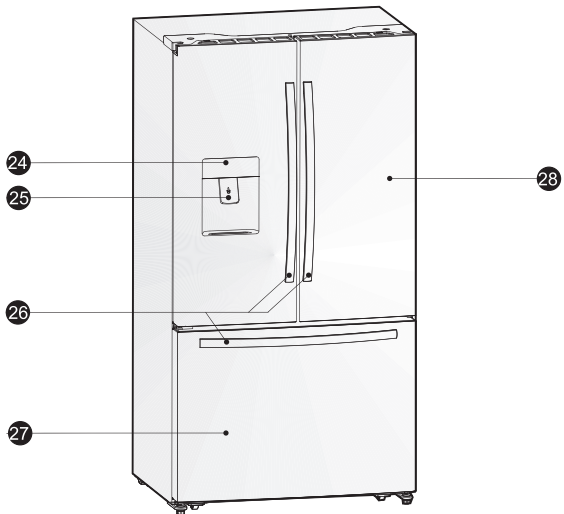
## Description of the appliance

- 1 Cabinet
- 2 Top cover
- 3 Vertical baffle guide block
- 4 Glass shelf
- 5 Water storage box
- 6 Flexible pop can rack
- 7 Fruit and vegetables crisper
- 8 Vertical baffle part
- 9 Keep fresh zones
- 10 Manual twist ice maker/tray (inside)
- 11 Serving tray
- 12 Rollers
- 13 Adjustable bottom feet
- 14 Lower freezer drawer
- 15 Upper freezer drawer
- 16 Freezer LED light (inside)
- 17 Refrigerator door seal
- 18 Lower rack
- 19 Crisper cover
- 20 Upper rack
- 21 Egg tray (inside)
- 22 Rack cover
- 23 Refrigerator LED light (inside)
- 24 Display board
- 25 Cold water dispenser
- 26 Handles
- 27 Freezer door
- 28 Refrigerator door

### View 1 of the appliance



### View 2 of the appliance



**Note:** Due to constant improvement of our products, your refrigerator may be slightly different from the above illustration, but its functions and using methods remain the same.

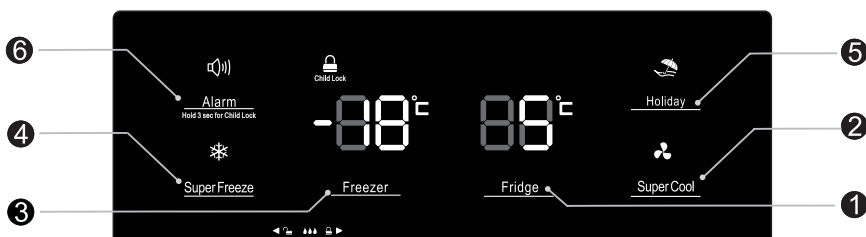
**Note:** To get the best energy efficiency of this product, please place all shelves, drawers and baskets on their original position as the illustration above.

## Display controls

All functions and controls of the unit are accessible from a control panel conveniently located on the door of the refrigerator. A keypad of touch buttons and a digital display allow easy configuration of features and settings in a simple and intuitive manner.

**Important!** Touch buttons require only a short press on a button to operate. The operation occurs when releasing your finger from the button, not while the button is pressed. There is no need for applying pressure on the keypad. Child Lock function related to the "Alarm" button requires a long touch of a least 3 sec. Please refer to those related sections of this Manual for detailed instructions.

The control panel consists of two indicating temperature areas, five icons representing different modes and six touch buttons. When the appliance is powered on for the first time, the backlight of the icons on display panel turns on. If no buttons have been pressed and the doors remains closed, the backlight will turn off after 60 sec.



### Controlling the temperature

We recommend that when you start your refrigerator for the first time, the temperature for the refrigerator is set to 5°C and the freezer to -18°C. If you want to change the temperature, follow the instructions below.

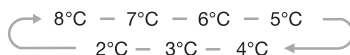
#### Caution!

When you set a temperature, you set an average temperature for the whole refrigerator cabinet. Temperatures inside each compartment may vary from the temperature values displayed on the panel, depending on how much food you store and where you place them. Ambient temperature may also affect the actual temperature inside the appliance.


#### 1. Fridge

Press "Fridge" button repeatedly to set your desired fridge temperature between 8°C and 2°C, the temperature will decrease 1°C degrees with each press and the fridge temperature indicator will

display corresponding value according to the following sequence.



#### 2. Super Cool

 Super Cool can refrigerate the food quicker and keep food fresh for a longer period.

- Press "Super Cool" button to activate this function. The Super Cool icon will light up and the Fridge temperature indicator will display 2°C.

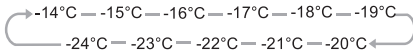
Super cool automatically switches off after 6 hours.

- Press "Super Cool" or "Fridge" to cancel super cool mode and revert to previous temperature settings.

#### 3. Freeze

Press "Freezer" button to set the freezer temperature between -14°C and -24°C to suit your desired temperature, and the

freezer temperature indicator will display corresponding value according to the following sequence.



#### 4. Super Freeze



Super Freeze can rapidly lower frozen temperature and freeze your food substantially

faster than usual. This feature also helps to keep the vitamins and nutrition of fresh food for longer period.

- Press "Super Freeze" button to activate the super freeze function. The Super Freeze light will be illuminated and the freezer temperature setting will display -24°C.

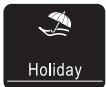
- For first time use, or after a period of inactivity, allow 6 hours of normal operation before using Super Freeze mode. This is particularly important if a large amount of food is placed in the freezer.

- Super freeze automatically switches off after 26 hours of usage and the freezer temperature goes to below -20°C.

- Press "Super Freeze" or "Freezer" to cancel Super Freeze mode and revert to previous temperature settings.

**Note:** When selecting the Super Freeze function, ensure there are no bottled or canned drinks (especially carbonated drinks) in the freezer compartment. Bottles and cans may explode.

#### 5. Holiday



This function is designed to minimise the energy consumption and electricity bills while the

Fridge is not in use for a long period of time. You can activate this function by pressing "Holiday" button until the Holiday light icon is illuminated.

**Important!** Do not store any food in the refrigerator chamber during this time.

- When the holiday function is activated, the temperature of the refrigerator is automatically switched to 15°C to minimise the energy consumption. The refrigerator temperature setting displays "-" and the freezer compartment remains on.

- Press "Holiday" button to cancel Holiday mode and revert to previous temperature settings.

#### 6. Alarm



In case of an alarm, "Alarm" icon will light up and a buzzing sound will start.

Press "Alarm" button to stop the alarm and buzzing then "Alarm" icon will turn off.

**Caution!** When the refrigerator is turned on after a period of inactivity, the Alarm may be activated. In this case, press the "Alarm" button to cancel it.

##### Door Alarm

The alarm light on and a buzzing sound indicate abnormal conditions, such as a door left open or that a power interruption to the unit has occurred.

- Leaving any door of the refrigerator or freezer open for over 2 minutes will activate a door alarm and buzzer. The buzzer will beep 3 times per minute for 10 minutes. Closing the door cancels the door alarm and buzzer.

- To save energy, please avoid keeping doors open for a long time when using refrigerator. The door alarm can also be cleared by closing the doors.

##### Temperature alarm

This is an important feature that alerts users of potential damage to stored food. If a power failure occurs, for example a blackout in your area of residence while you are away, the temperature alarm will memorize the temperature of the freezer when power was restored to the unit; this is likely to be the maximum temperature reached by frozen items.

A temperature alarm condition will be indicated by the alarm light and buzzer when the temperature reading is warmer than  $-9^{\circ}\text{C}$ , then

- a- The Alarm icon lights up;
- b- The freezer temperature indicator displays "H";
- c- The buzzer beeping 10 times when the alarm is triggered and stop automatically.

### Child Lock



Press and hold the "Alarm" button for 3 seconds to activate the child lock.

This will disable the display to prevent accidental changes to settings. Meanwhile, the child lock icon will illuminate.

- To turn the child lock off, press and hold the "Alarm" button for 3 seconds. The "Child Lock" icon will be turned off.

## Using your appliance

This section explains how to use the refrigerator features. We recommend that you read through carefully before using the appliance.

### Cold water dispenser

The cold water dispenser, located in the left refrigerator door, is used for storing drinking water. This feature provides chilled water easily without opening the door.

#### ●Cleaning

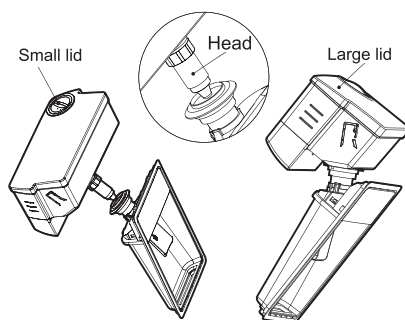
Please clean the water dispenser before using it for the first time.

1. Pull the water container out of the door carefully, and then wash the container, lids, and head lightly with water.
2. After you have cleaned the water dispenser, dry it in a natural way or using dry cloths.

#### ●Assembling

Please refer to the following instruction to reassemble the dispenser.

1. Hold tightly both sides of the water container then lift it up and remove from the door.
2. Unscrew the head in counterclockwise direction.
3. Insert them back on the door and push the container until you hear a click sound.



### Warning !

When inserting the water container, ensure the head sits correctly into the hole first.

### Filling water

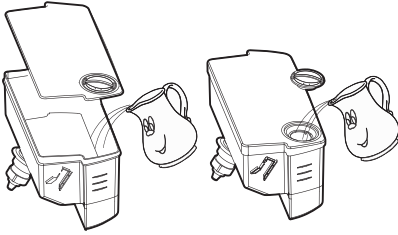
Before you add the drinking water into the water container, ensure that the water container is steady and placed into a correct position.

To prevent water from overflowing and spilling, fill the water container below the maximum level mark which is approximately about 4.0L. There are two ways to fill the water container:

1. By removing the small lid and fill water from the inlet of the large lid.
2. By removing the large lid of the tank, and then fill water directly.

**Caution!**

Do not fill any other liquid than water inside the water container.

**●Lock**

Before you dispense the water, ensure that the dispenser is in "unlock" position.

**Warning**

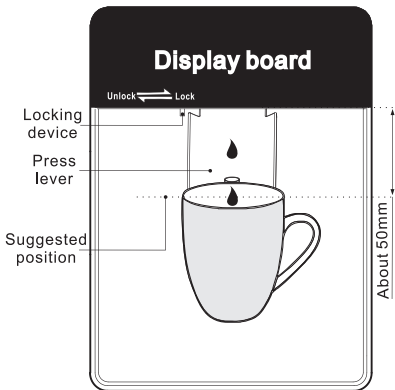
The lock feature is used to lock the device. Don't push the dispenser lever hard when the dispenser is in "lock" position, this may damage and break the dispenser.

**●Using water dispenser**

You should use a suitable cup size to fill the water underneath the water dispenser.

**Warning!** Don't pull the dispenser lever out without a cup underneath; this may cause the water leak from the dispenser.

Keep the water supply device installed when the water dispenser is out of use to prevent cold air leakage.



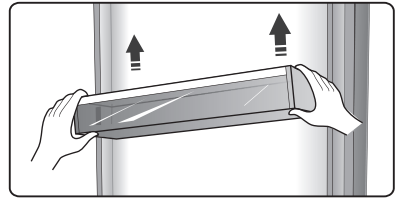
**Note:** Frequent usage of the water dispenser could spill drops on the tray which may overflow. Dry the tray with a towel as required.

**Door rack**

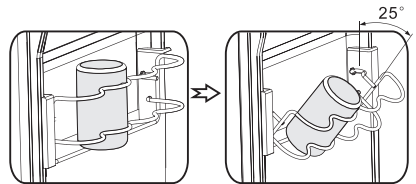
The refrigerator chamber is fitted with door racks suitable for storing canned liquid, bottled drinks and packed food. Do not place a large amount of heavy food and items inside door racks.

●The middle door rack is designed to adjust at different heights according to your requirements. Please empty the rack before lifting upward to remove it. Then reposition the rack at the desired height.

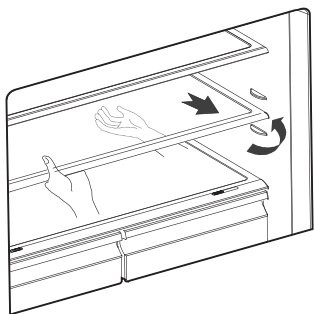
**Note:** There is an egg tray provided that should be located in the upper rack.

**Pop can rack**

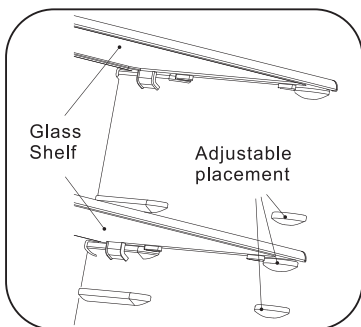
●This rack stores up to 4 cans of standard size, but it is not suitable for cans with diameter smaller than 50mm. The rack also can rotate 25° along the shelf if required, to facilitate storing or taking drinks.

**Glass shelves**

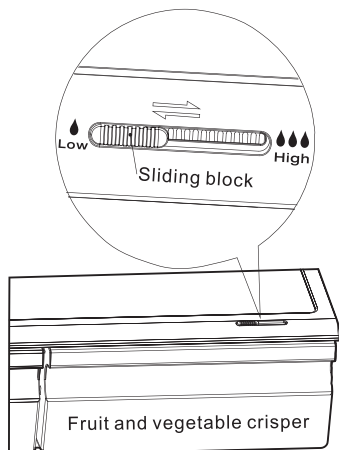
The refrigerator chamber is provided with two glass shelves. While the top shelf is designed to be fixed, the lower shelf is adjustable. There are three placements for relocating the lower shelf. Adjust the height of the shelf according to your need:



- When removing the shelves, gently pull them forward until they exit the guides.
- When you return the shelves, make sure there is no obstacle behind and gently push them into the position.



### Crisper and humidity control

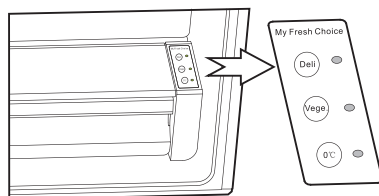


The crisper, mounted on telescopic extension slides, is for storing vegetables and fruits. You can adjust the humidity inside by using the sliding block.

- The humidity control adjusts the airflow in the crisper; higher airflow results in lower humidity. Slide the humidity control to the right in order to increase humidity.
- High humidity settings are recommended for vegetables, while low humidity is suitable for preservation of fruit.
- Follow these simple instructions to remove the crisper chamber, or freezer drawer, for cleaning. Empty the crisper chamber; pull it out to fully open position. Lift the crisper from the lateral slides. Push the slides fully in to avoid damage when closing the door.

### Keep fresh zone

Food can be preserved fresh for longer periods when stored at their optimal temperature, but different types of food require different storage temperatures. There is a display on the right of the drawer. The temperature of the compartment can be set at 0°C, 3°C, and 5°C to suit either meat, or fruits and vegetables, or deli products respectively by using “My Fresh Choice” buttons. Please refer to the table below for the recommended settings to suit your storage needs.



<i>Deli[5°C]</i>	<i>Vege.[3°C]</i>	<i>0°C[0°C]</i>
<i>Cheese</i>	<i>Cucumber</i>	<i>Steaks</i>
<i>Ham</i>	<i>Lettuce</i>	<i>Fish</i>
<i>Salami</i>	<i>Oranges</i>	<i>Cold cuts</i>
<i>Olives</i>	<i>Corn</i>	<i>Poultry</i>

### Using the refrigerator chamber

The refrigerator chamber is suitable for storage of fruit and vegetables. Separate packing of different foods is recommended to avoid losing moisture or flavour permeating into other foods.

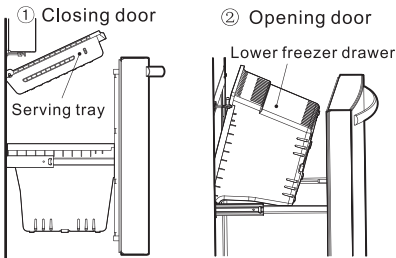
#### Caution!

Never close doors while the shelves, crisper and/or telescopic slides are extended. It may damage the unit.

### Using the freezer drawer

The freezer drawer is suitable for storing food required to be frozen, such as meat, ice cream, etc.

To remove the freezer drawer pull it out fully, tilt up the serving tray and lift it out, then open the refrigerator doors to the maximum angle and the lower freezer drawer can be taken out, as shown in the following pictures.



#### ● Caution

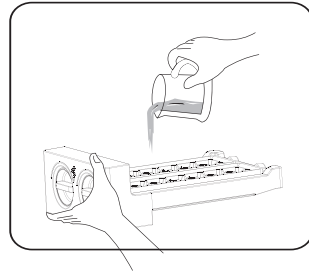
Do not allow babies or children go inside the refrigerator, as they could injure themselves or damage the refrigerator. Do not sit on the freezer door. The door may break. Do not allow children to climb into the freezer basket.

If you remove the divider to clean the basket bin, you must reinstall the divider after cleaning to prevent children from getting trapped inside the basket.

### Twistable ice tray

● Twistable ice tray is placed in the upper freezer drawer to make and store ice cubes.

1. Pull out the twistable ice tray from the installation bracket.
2. Fill with drinking water below the maximum level mark.
3. Place the filled ice tray back to the bracket.
4. Await for around 3 hours, twist the knobs clockwise and the ice will drop into the ice box below.



5. Ice cubes can be stored in the ice box, if you need them, you can pull out the ice box and take them out.

**Note:** If the ice tray is used for the first time or has not been used for a long time, please clean it before using.

## Helpful hints and tips

### Energy saving tips

We recommend that you follow the tips below to save energy.

- Try to avoid keeping the door open for long periods in order to conserve energy.
- Ensure the appliance is away from any sources of heat (Direct sunlight, electric oven or cooker etc).
- Don't set the temperature colder than necessary.
- Don't store warm food or evaporating liquid in the appliance.
- Place the appliance in a well ventilated, humidity free, room. Please refer to Installing your new appliance chapter.
- View 1 under the "Description of the appliance" section shows the correct arrangement for the drawers, crisper and shelves, do not adjust the combination as this is designed to be the most energy efficient configuration.

### Hints for fresh food refrigeration

- Do not place hot food directly into the refrigerator or freezer, the internal temperature will increase resulting in the compressor having to work harder and will consume more energy.
- Do cover or wrap the food, particularly if it has a strong flavor.
- Place food properly so that air can circulate freely around it.

### Hints for refrigeration

- Meat (All Types) Wrap in polythene food: wrap and place on the glass shelf above the vegetable drawer. Always follow food storage times and use by dates suggested by manufacturers.
- Cooked food, cold dishes, etc.: They should be covered and may be placed on any shelf.
- Fruit and vegetables: They should be stored in the special drawer provided.
- Butter and cheese:

Should be wrapped in airtight foil or plastic film wrap.

- Milk bottles:

Should have a lid and be stored in the door racks.

### Hints for freezing

- When first starting-up or after a period out of use, let the appliance run at least 2 hours on the higher settings before putting food in the compartment.
- Prepare food in small portions to enable it to be rapidly and completely frozen and to make it possible to subsequently thaw only the quantity required.
- Wrap up the food in aluminum foil or polyethylene food wraps which are airtight.
- Do not allow fresh, unfrozen food to touch the food which is already frozen to avoid temperature rise of the latter.
- Iced products, if consumed immediately after removal from the freezer compartment, will probably cause frost burns to the skin.
- It is recommended to label and date each frozen package in order to keep track of the storage time.

### Hints for the storage of frozen food

- Ensure that frozen food has been stored correctly by the food retailer
- Once defrosted, food will deteriorate rapidly and should not be re-frozen. Do not exceed the storage period indicated by the food manufacturer.

### Switching off your appliance

If the appliance needs to be switched off for an extended period, the following steps should be taken to prevent mould on the appliance.

1. Remove all food.
2. Remove the power plug from the mains socket.
3. Clean and dry the interior thoroughly.
4. Ensure that all the doors are wedged open slightly to allow air to circulate.

## Cleaning and care

For hygienic reasons the appliance (including exterior and interior accessories) should be cleaned regularly at least every two months.

**Caution!** The appliance must not be connected to the mains during cleaning. Danger of electrical shock! Before cleaning switch the appliance off and remove the plug from the mains socket.

### Exterior cleaning

To maintain good appearance of your appliance, you should clean it regularly.

-Wipe the digital panel and display panel with a clean, soft cloth.

-Spray water onto the cleaning cloth instead of spraying directly on the surface of the appliance. This helps ensure an even distribution of moisture to the surface.

-Clean the doors, handles and cabinet surfaces with a mild detergent and then wipe dry with a soft cloth.

### Caution!

-Don't use sharp objects as they are likely to scratch the surface.

-Don't use Thinner, Car detergent, Clorox, ethereal oil, abrasive cleansers or organic solvent such as Benzene for cleaning. They may damage the surface of the appliance and may cause fire.

### Interior cleaning

● You should clean the appliance interior regularly. It will be easier to clean when food stocks are low. Wipe the inside of the fridge freezer with a weak solution of bicarbonate of soda, and then rinse with warm water using a wrung-out sponge or cloth. Wipe completely dry before replacing the shelves and baskets.

Thoroughly dry all surfaces and removable parts.

● Although this appliance automatically defrosts, a layer of frost may occur on the freezer compartment's interior walls if the freezer door is opened frequently or kept open too long. If the frost is too thick, choose a time when the supply of food stocks are low and proceed as follows:

1. Remove existing food and accessories baskets, unplug the appliance from the mains power and leave the doors open. Ventilate the room thoroughly to accelerate the thawing process.

2. When defrosting is completed, clean your freezer as described above.

**Caution!** Don't use sharp objects to remove frost from the freezer compartment. Only after the interior is completely dry should the appliance be switched back on and plugged back into the mains socket.

### Door seal cleaning

Take care to keep door seals clean. Sticky food and drinks can cause seals to stick to the cabinet and tear when you open the door. Wash seal with a mild detergent and warm water. Rinse and dry it thoroughly after cleaning.

**Caution!** Only after the door seals are completely dry should the appliance be powered on.

### Warning!

The LED light must not be replaced by the user! If the LED light is damaged, contact the customer helpline for assistance.

### Caple Service

Tel 0117 938 7420

email [service@caple.co.uk](mailto:service@caple.co.uk)

## Troubleshooting

If you experience a problem with your appliance or are concerned that the appliance is not functioning correctly, you can carry out some easy checks before calling for service, please see below. You can carry out some easy checks according to this section before calling for service.


**Warning!** Don't try to repair the appliance yourself. If the problem persists after you have made the checks mentioned below, contact a qualified electrician, authorized service engineer or the shop where you purchased the product.

Problem	Possible cause & Solution
Appliance is not working correctly	Check whether the power cord is plugged into the power outlet properly.
	Check the fuse or circuit of your power supply, replace if necessary.
	It is normal that the freezer is not operating during the automatic defrost cycle, or for a short period of time after the appliance is switched on to protect the compressor.
Odours from the compartments	The interior of the refrigerator may need to be cleaned.
	Some food, containers or wrapping cause odours.
Noise from the appliance	<p>The sounds below are quite normal:</p> <ul style="list-style-type: none"> <li>●Compressor running noises.</li> <li>●Air movement noise from the small fan motor in the freezer compartment or other compartments.</li> <li>●Gurgling sound similar to water boiling.</li> <li>●Popping noise during automatic defrosting.</li> <li>●Clicking noise before the compressor starts.</li> </ul>
	<p>Other unusual noises are due to the reasons below and may need you to check and take action:</p> <p>The cabinet is not level.</p> <p>The back of appliance touches the wall.</p> <p>Bottles or containers fallen or rolling.</p>
The motor runs continuously	<p>It is normal to frequently hear the sound of the motor, it will need to run more when in following circumstances:</p> <ul style="list-style-type: none"> <li>● Temperature setting is set colder than necessary</li> <li>● Large quantity of warm food has recently been stored within the appliance.</li> <li>●The temperature outside the appliance is too high.</li> <li>●Doors are kept open for a long period.</li> <li>●After your installing the appliance or it has been switched off for a long time.</li> </ul>
A layer of frost occurs in the compartment	Check that the air outlets are not blocked by food and ensure food is placed within the appliance to allow sufficient ventilation. Ensure that door is fully closed. To remove the frost, please refer to "cleaning and care" section.

Temperature inside is too warm	You may have left the doors open too long or too frequently; or the doors are kept open by some obstacle; or the appliance is located with insufficient clearance at the sides, back and top.
Temperature inside is too cold	Increase the temperature by following the "Display controls" chapter.
Doors can't be closed easily	Check whether the top of the refrigerator is tilted back by 10-15mm to allow the doors to self close, or if something inside is preventing the doors from closing.
Water drips on the floor	The water pan (located at the rear bottom of the cabinet) may not be properly leveled, or the draining spout ( located underneath the top of the compressor depot ) may not be properly positioned to direct water into this pan, or the water spout is blocked. You may need to pull the refrigerator away from the wall to check the pan and spout.
The light is not working	The LED light may be damaged. Refer to replace LED lights in cleaning and care chapter. The control system has disabled the lights due to the door being kept open too long, close and reopens the door to reactivate the lights.
Doors does not open smoothly	Check the door seal, and if it is necessary clean the rubber gasket seal around the edges of the door using dish soap and warm water. Dirt and grime can collect here and cause door stick to the fridge.

## Disposal of the appliance

The refrigerator is built from reusable materials. It must be disposed of in compliance with current local waste disposal regulations. The appliance contains a small quantity of refrigerant (R600a) in the refrigerant circuit. For your safety please refer to the section of "the refrigerant and risk of fire" in this Instruction Manual before scrapping the appliance. Please cut off the power cord to make the refrigerator unusable and remove the door seal and lock. Please be cautious of the cooling system and do not damage it by puncturing the refrigerant container and/or bending the tubing, and/or scratching of the surface coating.

<b>Correct Disposal of this product</b>	
	<p>This marking indicates that this product should not be disposed with other household wastes throughout the EU. To prevent possible harm to the environment or human health from uncontrolled waste disposal, recycle it responsibly to promote the sustainable reuse of material resources. To return your used device, please use the return and collection systems or contact the retailer where the product was purchased. They can take this product for environmental safe recycling.</p>

# SPECIFICATIONS

Supplier Name	Caple
Model ID	CAFF30
Refrigerating appliance model category <sup>1</sup>	7
Energy efficiency class <sup>2</sup>	A+
Annual energy consumption [KWH/Year] <sup>3</sup>	410
Refrigerator net storage volume[L]	417
Freezer net storage volume[L]	119
Star marking of frozen-food storage compartments	*/***
Frost free system	√
Temperature rise time[h] <sup>5</sup>	12
Freezing capacity[kg/24h]	10
Climate class	SN,N,ST,T
Acoustical noise emissions [dB(A) re1 pW]	43
Built in Model	X
Voltage[V/Hz]	220-240V/50Hz
Height x width x depth of product [mm]	912X765X1776
Appliance weight [kg]	120





Caple  
Fourth Way  
Avonmouth  
Bristol  
BS11 8DW  
[www.caple.co.uk](http://www.caple.co.uk)