

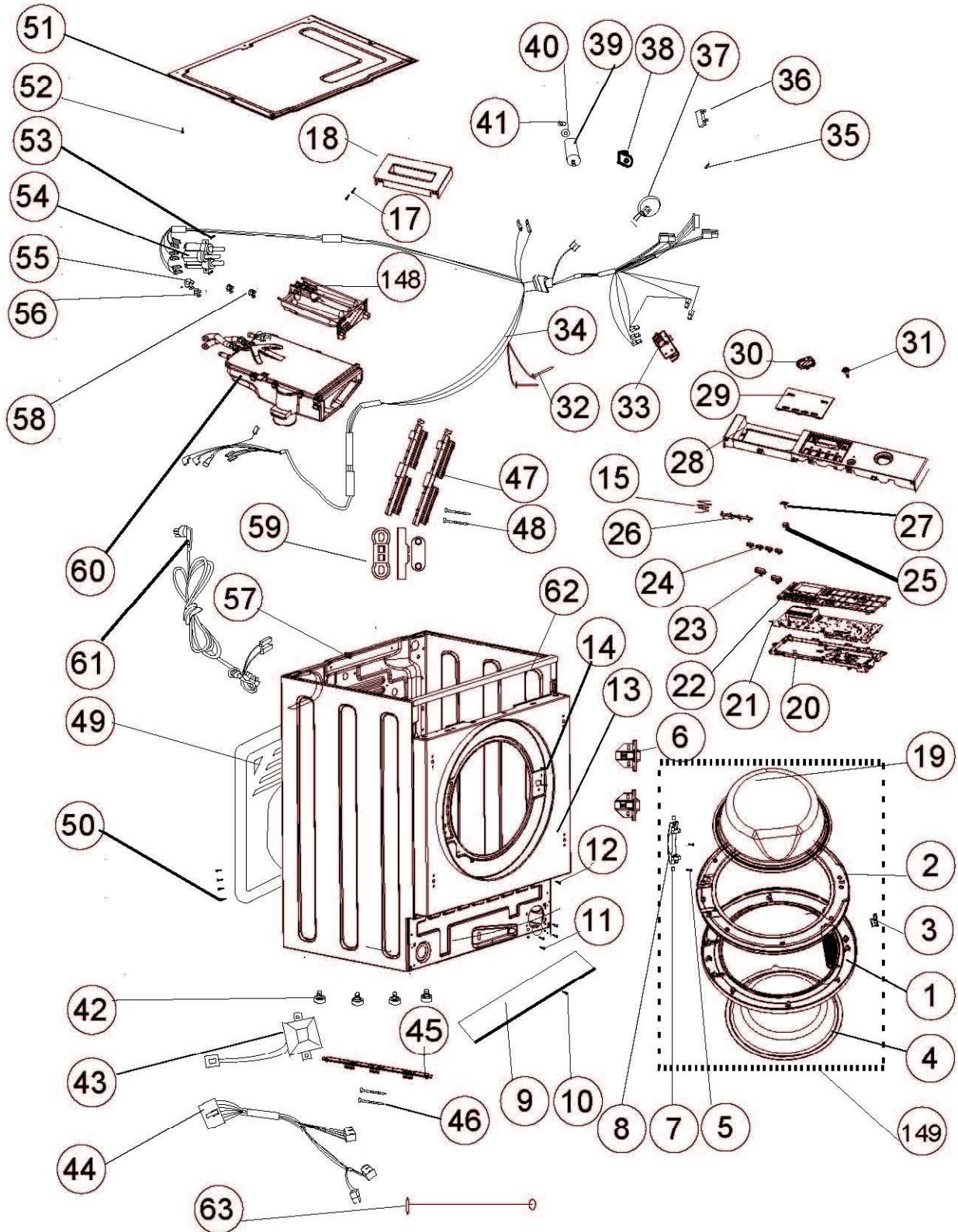


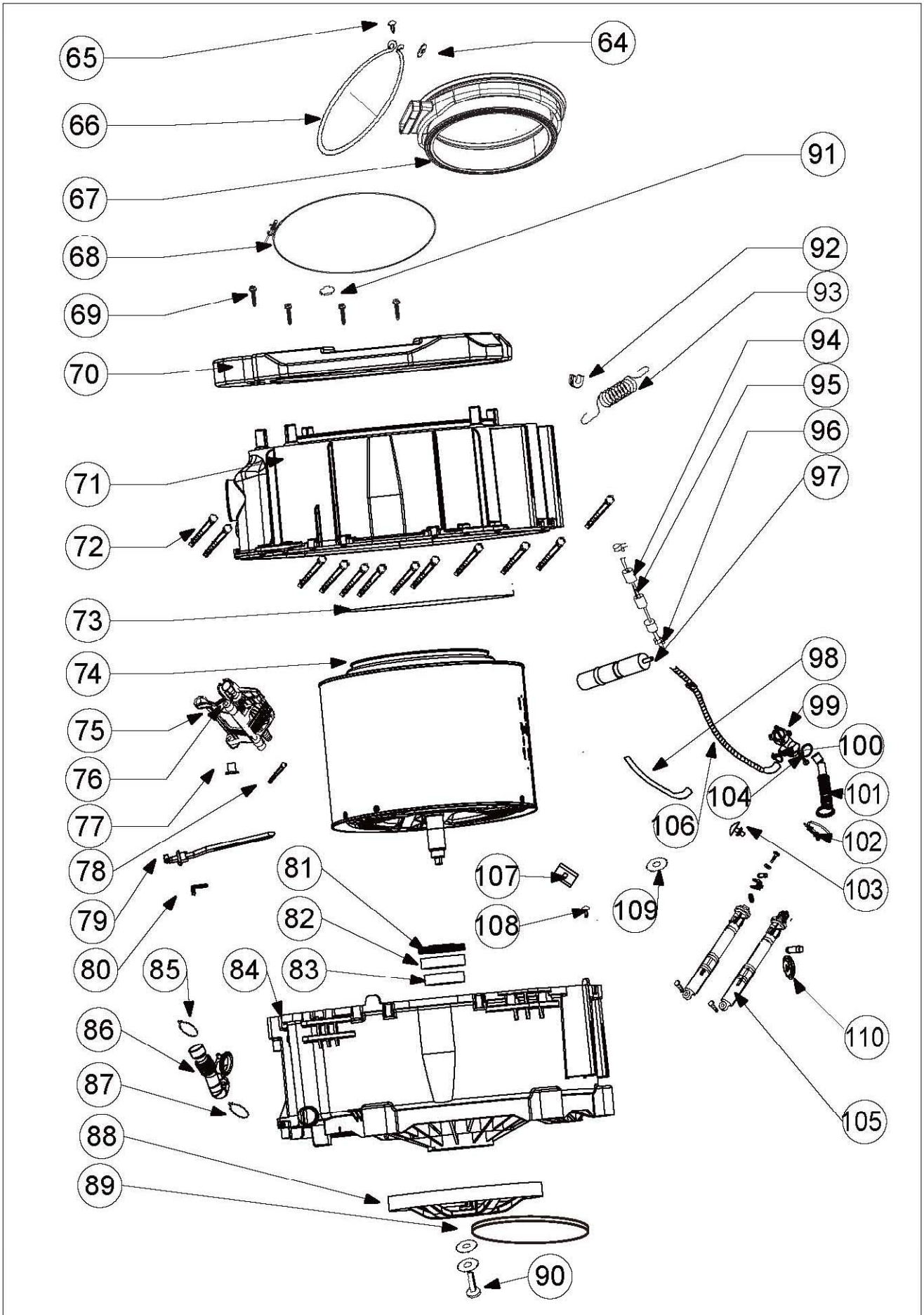
WDI2203

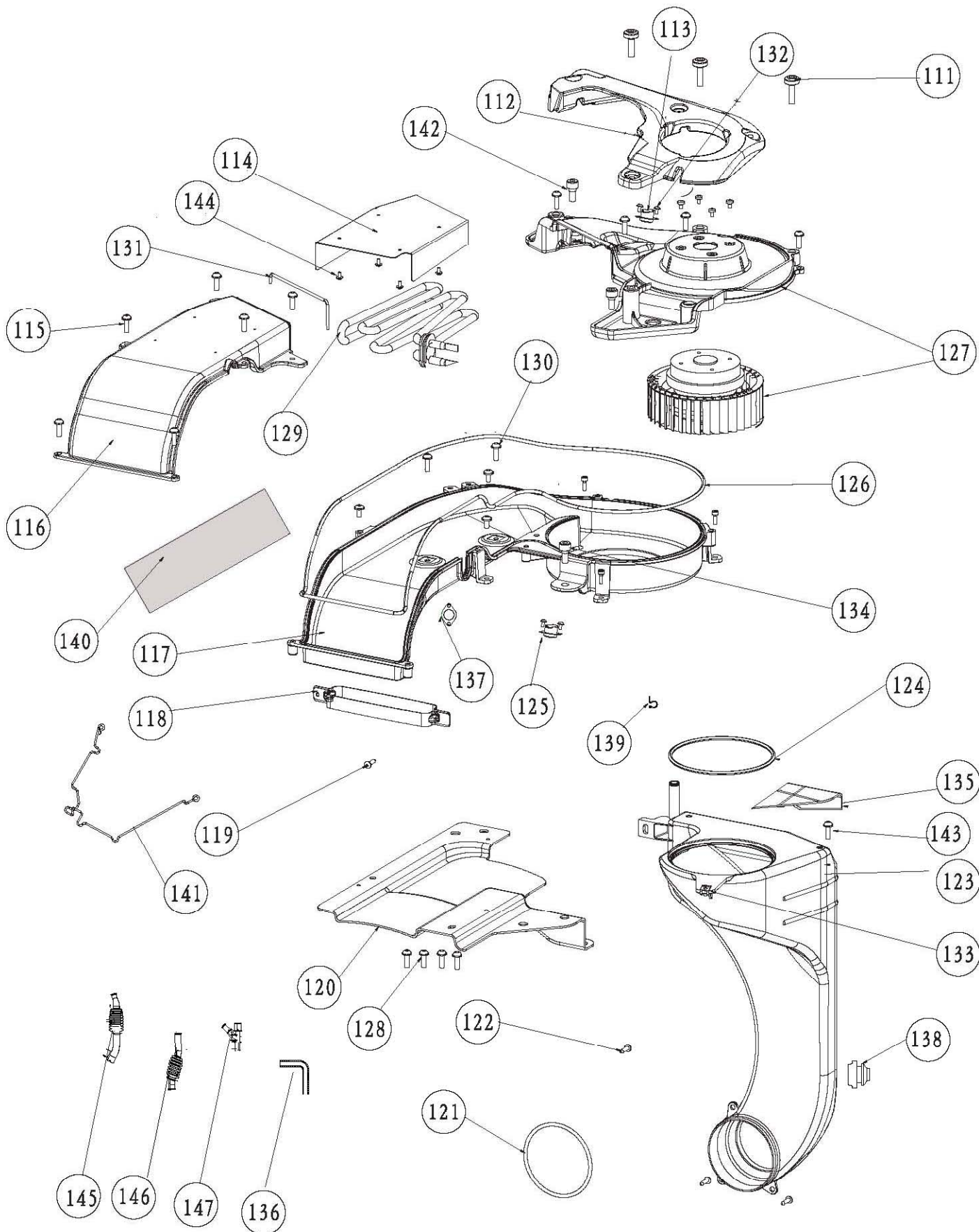
Caple Integrated Washer Dryer



Technical information









WDI2203 - Caple Integrated Washer Dryer

Item	Part Code	Description	Qty
1	0020203436A	outer frame of sight window	1
2	0020203438	inner frame of sight window	1
3	0020100284A	Door hook	1
4	0020203475	Screen of sight window	1
5	00330810009	Self screw	10
6	0020103078A	hinge	2
7	0020201212	Hinge sheath	2
8	0020100751	door hinges	1
9	0020203510	lower plaque	1
10	00330810009	Self screw	1
11	00330802008A	Self-tapping screws	3
12	00216910320111A	screw	1
13	0020806158H	former board assembly	1
14	0020600029	Screw	2
15	0020102832	spring of button	1
16	0020203445	splitter box	1
17	00330810033	Self-tapping screws	2
18	0020506917Q	handle of dispenser	1
19	0021400015	Glass of sight window	1
20	0020203446	PCB box	1
21	0021800032	PCB	1
22	0020203447	PCB box cover	1
23	0020203423A	buttons	2
24	0020203423A	buttons	4
25	0020203425A	start/pause buttons	1
26	0020203451	guide beam	1
27	0020203452	guide beam	1
28	0020506916K	control panel	1
29	0020506957G	printing pmmc plate	1
30	0020203444A	knob	1
31	0020203433	knob shaft	1
32	0024000259	TEMPERATURE SENSOR	1
33	0024000128A	Locks	1
34	0020400256	control cable assembly	1
35	0020600029	Screw	1
36	0024000256	Capacity	1
37	0024000317	Water level pressure switch	1
38	00221120022006	Retainer of interference suppressor	1
39	0020400491A	radio interference suppressor	1
40	00215000000001A	Nut	1
41	00215000000002A	washer	1
42	0020300170E	foot	4
43	0024000152	reactance	1



WDI2203 - Caple Integrated Washer Dryer

Item	Part Code	Description	Qty
44	0020400087B	wire of motor	1
45	0020203374A	go trough short	1
46	00221150320000	Buckle belt camp	1
47	0020203315	Wiring duct (short)	1
48	00221150320000	Buckle belt camp	1
49	0020100505C	back plate(white)	1
50	0020600179	Screws	1
51	0020100770A	top cover	1
52	00216910320111A	screw	1
53	00221150320000	Buckle belt camp	2
54	0024000274	Electromagnetic vavle	1
55	00221150320000	Buckle belt camp	2
56	00221150320000	Buckle belt camp	1
57	0020808157	Cabinet assembly	1
58	00218230550611	Pipe Clip	2
59	0020803673	magnet assembly	2
60	0020806436B	storage tank assembly	1
61	0020400196M	power cable assembly	1
62	0020100720E	shell anterior strengthen pieces	1
63	0020202683A	Locks bars	1
64	00214800021100	Nylon nuts	1
65	00215100000200	Screw	1
66	0020600081	Front Tightening Ring Of Cushion Of Sight Window	1
67	0020300776	Cushion of sight window	1
68	0020600211A	back tighteningring of cushion of sight window	1
69	0020600285	Bolt For Down Couterweight	4
70	0020100771A	Front Couterweight	1
71	0020203432	Front flange of outer cylinder	1
72	00215100001000	Screw	15
73	0020300510	Sealing ring	1
74	0020806274A	drum assembly	1
75	0024000133C	motor	1
76	0020202717	Motor bushing	2
77	0020300466	motor rubber bush	2
78	00215100001000	Screw	2
79	0024000279	Water Heating Element	1
80	0020100432	Bracket Of Heating Element	1
81	0020300340	oil seal	1
82	0020600069	bearing(6305)	1
83	0020600157	bearing(6306)	1
84	0020807318	Outer cylinder assembly	1
85	00218230550611	Pipe Clip	1
86	0020300361B	Hose Connecting Cylinder To Dispenser	1
87	00211320018800A	Pipe Clip	1
88	0020100431	Driven pulley	1
89	0020300385	PH belt	1



WDI2203 - Caple Integrated Washer Dryer

Item	Part Code	Description	Qty
90	00215000014000A	Bolt (00215000014000 is substituted by 00215000014000A)	1
91	00217440540612	Elasticity Gasket	8
92	0020203391	spring stents	2
93	0020600210A	suspension spring	2
94	00212500011100	Self-Adhere Sponge Of Pressure Switch	4
95	0020300430A	Connector hose	1
96	0020600050A	Pipe Clip	1
97	0020202906	Air Trap	1
98	0020300379A	exhaust pipe of drain pump	1
99	0022150033660401A	Drain pump	1
100	0020600050A	Pipe Clip	1
101	0020300387A	Hose Connecting Cylinder To Pump	1
102	00297023000100A	Pipe Clip	1
103	0020203456	plastic hole plug	1
104	00215200294400A	Pipe Clip	1
105	0020600212	vibration damper	2
106	0020300148	Drain Pipe	1
107	00215200294400A	Pipe Clip	2
108	00217440540612	Elasticity Gasket	2
109	0020202225	Dowel	2
110	00215000035200	loser rubber washer	2
111	00215000014000A	Bolt (00215000014000 is substituted by 00215000014000A)	3
112	0020100647	upper balance	1
113	0024000304	Thermostat	1
114	0020100645	Baffle board	1
115	00330812014A	Tappingscrew	16
116	0020100623B	drying equipment upper shell	1
117	0020100622B	drying equipment under shell	1
118	0020600229	Pipe clamp	1
119	00216910320111A	screw	1
120	0020100644A	Fixed plate of drying device	1
121	0020300611	OUTSIDE CYLINDER SEALS	1
122	00330802008A	Self-tapping screws	5
123	0020203211	condenser	1
124	0020300610	Sling strip	1
125	0024000315	Thermostat	1
126	0020300605A	seal ring of back protection board	1
127	0024000227A	Drying motor	1
128	00215100000400	Screw	4
129	0024000223	Dry heating element	1
130	0020600176	Screw (air outlet joint and lower shell, heating tube)	2
131	0020300604	DRYING DEVICE SEALING STRIP	1
132	0010600332	M screws	4
133	0120600807	clips	1
134	0020600179	Screws	3
135	0020203380	Drain hose fixing clamp	1

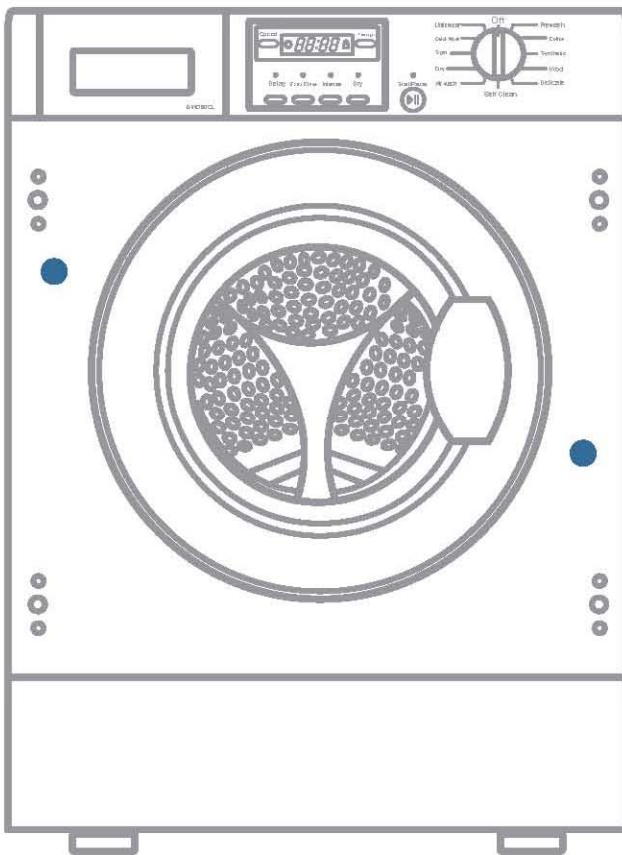


WDI2203 - Caple Integrated Washer Dryer

Item	Part Code	Description	Qty
136	0020300264C	hose of electromagnetic valve to condenser	1
137	0020300607	Thermostat gasket	2
138	0020300606	FEELING WENQI SEAL CUSHION	2
139	00218230700611A	Tube clamps	1
140	0020300688B	felt	1
141	0020100721C	cable guide bracket	1
142	00330812014A	Tappingscrew	4
143	00216910320111A	screw	2
144	0020600153	Screw	4
145	0020300361B	Hose Connecting Cylinder To Dispenser	1
146	0020300612D	tee to single electromagnetic valve hose	1
147	0020203513	three direct links	1
148	0020203198A	Syphon	1
149	0020808072D	Door assembly	1

SERVICE MANUAL

Order No.

BUILT-IN Washer&Dryer**Model: WDI2203**

WARNING

This service information is designed for experienced repair technicians only and is not designed for use by the general public. It does not contain warnings or cautions to advise non-technical individuals of potential dangers in attempting to service a product. Products powered by electricity should be serviced or repaired only by experienced professional technicians. Any attempt to service or repair the product or products dealt with in this service information by anyone else could result in serious injury or death.

Contents

Chapter 1. General Information -----	4
1-1. General Guidelines -----	4
1-2. Function indication symbols -----	4
Chapter 2. Product Feature -----	5
2-1. Features -----	5
2-2. Specification -----	6
Chapter 3. Appearance brief introduction -----	8
3-1. Name of parts -----	8
3-2. Net dimension -----	8
Chapter 4. Installtion -----	9
Chapter 5. Operational Guidance -----	12
Chapter 6. Wiring circuit & Program chart -----	14
Chapter 7. Maintain and Self Check -----	15
7-1. Caution in maintenance -----	15
7-2. Self Check -----	15
7-3. Model selection -----	15

Chapter 8. Error Display and troubleshooting	16
8-1. Troubleshooting unnormal	16
8-2. Error Display	17
8-3. Examination & Troubleshooting	24
8-3-1. Display nothing	24
8-3-2. No water inletting	24
8-3-3. No draining	25
8-3-4. Abnormal noise and vibration	25
8-3-5. Water leaking	26

Chapter 1. General Information

1-1. General Guidelines

When servicing, observe the original dress. If a short circuit is found, replace all parts which are overheated or damaged by the short circuit. After servicing, see to it that all the protective devices such as insulation barriers, insulation papers shields are properly installed. Confirm that the screws, parts and wiring which were removed in order to service are put in the original positions, or whether there are the portions which are deteriorated around the service places serviced or not. And be sure safety of that.

1-2. Function indication symbols

(You will see them in the program introduction table)

- Signify the program has this course.

- Signify the program doesn't have this course.

Chapter 2 Product Feature

2-1. Features

- 300mm diameter porthole, door may be open at a 100 degrees.

Facilitate view of wash process, facilitate unloading and easy to use with large port.

- Class B energy-saving, Class A washing performance

Scientific design for tub can reduce the use of water heavy during washing, consequently upgrade the energy efficiency class to C.

- Multi-gear speed controller

According to different costuming, you can select corresponding spin speed, from 0 to 1200 rpm.

- Unique gasket design featuring no residual water hidden inside.

By the unique gasket, washing machine can left no residual water hidden between outer drum and front board.

- Delay time adjustable.

According to different costuming, you can select delay time, from 0.5h to 24h.

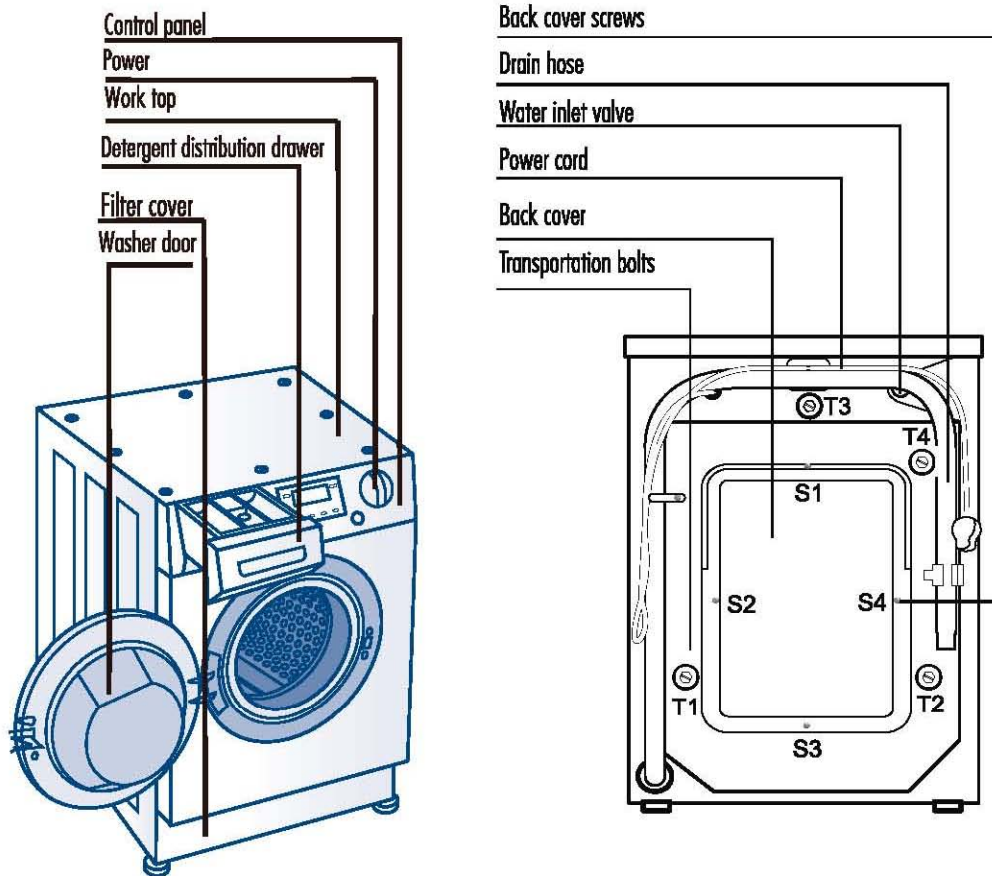
2-2. Specification

Washer dryer basic information	
Built-in / Free standing	Built-in
Loading type	Front loaded
Type of laundry	Washer dryer
Installation type	Fully integrated
Energy efficiency class (wash only)	B
Energy efficiency class (wash and dry)	B
Washing performance class	A
Water extraction performance class	B
Load capacity (kg)	6 kg
Dry load capacity (kg)	3 kg
Maximum spin speed	1200 rpm
Washer dryer features	
Spin speed option	Variable
Skip spin	<input checked="" type="checkbox"/>
Drum size (lt)	42
Porthole diameter (mm)	320
Door type	Glass door
Door hinge type	Left
Door opening	Handle
Door cover	Not Available
Control setting	Electronic control operation
Type of display	LCD
End of cycle indicator	Audible
Progress Indicator	Digital countdown indicator
Delay start	max. 24 hour delay
Maximum delay time (hr)	24 hours (30 min steps)
No. of compartments in dispenser	3
Separate temperature control option	<input checked="" type="checkbox"/>
Automatic consumption reduction	<input checked="" type="checkbox"/>
Self adjusting water level to load	<input checked="" type="checkbox"/>
Failure detection system	<input checked="" type="checkbox"/>
Imbalance control system	<input checked="" type="checkbox"/>
Overflow protection	<input checked="" type="checkbox"/>
Foam protection	<input checked="" type="checkbox"/>
Safety lock	<input checked="" type="checkbox"/>
Fuzzy Logic	<input checked="" type="checkbox"/>
Adjustable feet	<input checked="" type="checkbox"/>
Washer dryer Programmes	
Number of washing programmes	11
Number of Cotton washing programmes	Cotton cold Cotton 30Å°C Cotton 40Å°C Cotton 50Å°C Cotton 60Å°C Pre-wash 60Å°C
Number of Synthetics washing programmes	Synthetics cold Synthetics 30Å°C Synthetics 40Å°C
Number of Delicates washing programmes	Delicate cold Delicate 30Å°C Delicate 40Å°C
Number of Wool washing programmes	Wool cold Wool 30Å°C Wool 40Å°C
Special	Rapid wash Drum cleaning spin
Additional	Extra rinse Intensive wash
Other washing programmes	Air Wash, Underwear, Self Clean = Drum cleaning, Off
Total number of drying programmes	1
Maximum drying time (min.)	165

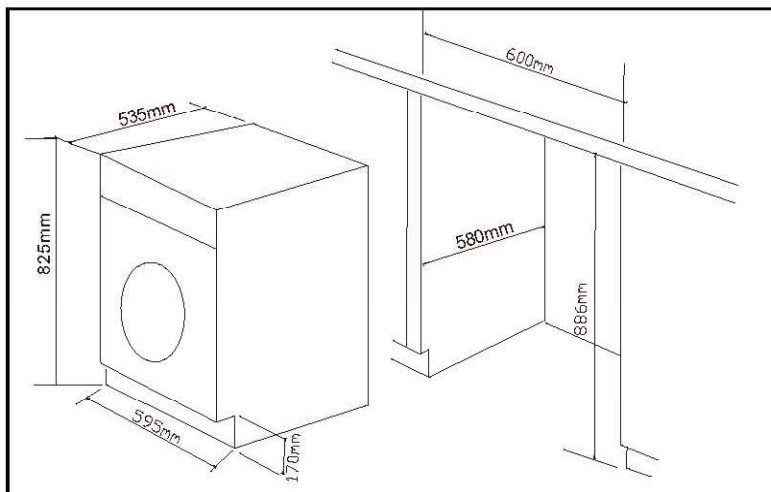
Washer dryer Finish	
Finish	White
Alternative colours available	Not Available
Body colour	White
Body material	Steel
Control panel colour	White
Control panel material	Plastic
Tub material	Polypropylene
Drum material	Stainless steel
Door outlook	Silver door
Washer dryer technical data	
Reference programme (washing)	Cotton 60Å°C
Water consumption - wash only (litres/cycle)	57
Energy consumption - wash only (kWh/cycle)	0,98
Total annual water consumption L/annum (200/220 wash cycles)	12540
Duration of reference programme cycle - wash only (min)	178
Water consumption - wash and dry (litres/cycle)	98
Energy consumption - wash and dry (kW/cycle)	4,85
Total annual water consumption (200 wash & dry cycles)	23760
Reference programme (wash & dry) duration (min.)	wash 178 + dry 120
Noise level (dB) wash/spin/dry	59/72/58
Water inlet	Cold
Release hose length (mm)	1500
Filling hose length (mm)	1400
Required niche size for installation	H 886x W 600 x D 580 mm
Electrical connection rating (W)	2000
Power Consumption of Off Mode (W)	TO BE CONFIRMED
Power Consumption of Left-On Mode (W)	TO BE CONFIRMED
Power supply voltage (V)	220-240
Frequency (Hz)	50
Fuse rating (AMPS)	10
Lead-in cable length (mm)	1470
Plug type	British
Approved certificates	CE, GS, EMC-VDE
Logo type	Silk screen
Logo position	Left side of control panel
Logistics information	
EAN code	5055205071565
EAN code	5055205071565
Tariff No	84501200 - Washer/Drier < 10kg
Country of origin	CN - CHINA
Net height (mm)	825
Net width (mm)	595
Net depth (mm)	565
Gross height, incl. package (mm)	895
Gross width, incl. package (mm)	667
Gross depth, incl. package (mm)	615
Gross volume (m3)	0,36713
Net weight (kg)	64
Gross weight, incl. package (kg)	67
Maximum stackability (pcs)	5
Delivery information	
Full container quantity (pcs) - 40Å'HC	168
Waste packaging information	
Polystyrene (g)	1320
Wood (g)	1480
PVC (g)	200

Chapter 3 Appearance brief introduction

3-1. Name of parts



3-2. Net dimension



Appliance dimensions

Height: 825 mm

Width: 595 mm

Depth: 535 mm

Aperture dimensions

886 mm

600 mm

580 mm

Chapter 4 Installation

ADJUSTING THE BOTTOM COVER

When opening the packaging, you will find a plastic board which is laid on the top of washing machine as shown in fig.1. The board is used for reducing noise by placing it under the cabinet when setting as shown in fig.2.



Fig.1



Fig.2

DISMANTLE THE TRANSPORTATION BOLTS

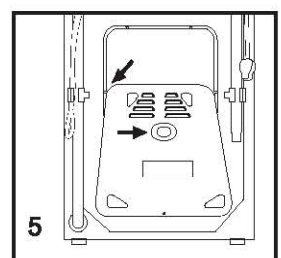
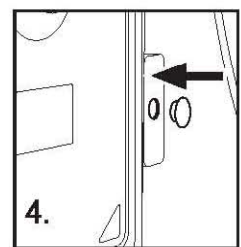
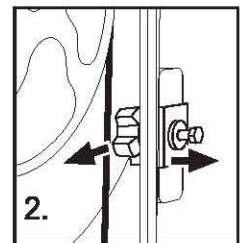
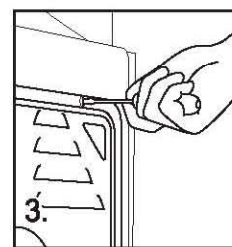
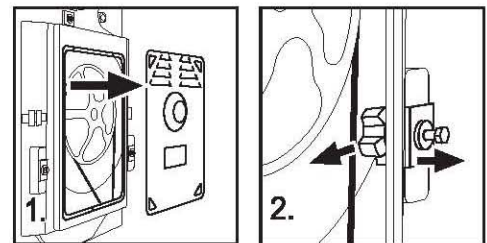
The transportation bolts are designed for clamping components inside of the washing machine during the transportation process.

1. Remove the back cover.
2. Remove the four bolts on the rear and take out the stabilisers from within the machine.
3. Replace the back cover.
4. Fill the holes left by the bolts with blanking plugs supplied.

Note:

1. Keep the transportation bolts and stabilisers in a safe place for later use.

2. When replacing the back cover, ensure convex surface is facing outwards, then refit the back cover as shown in Fig. 5.



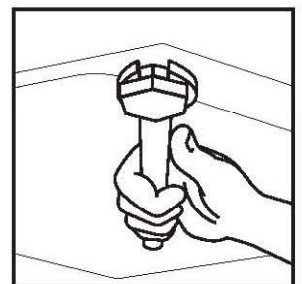
ADJUSTING THE WASHER DRYER MACHINE

There are adjustable feet under the bottom of the washing machine. Before use, they should be adjusted so that the machine is level. This will minimise vibrations and thus noise during use. It will also reduce wear and tear. We recommend using a spirit level to level the appliance. The product should be level and stable.

Slacken the lock nuts and adjust the feet then tighten the lock nuts again. See the diagram on the right.

CAUTION.

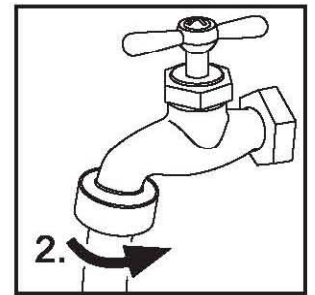
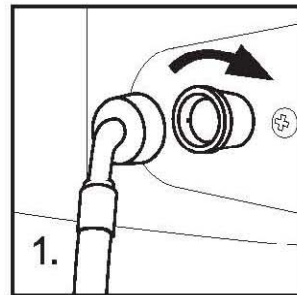
Do not install where temperatures can fall below freezing as this can cause severe damage to your machine.



INLET HOSE

1. Connect the nut on the inlet hose to the connector on the water valve.
2. Attache the hose to the cold water tap.

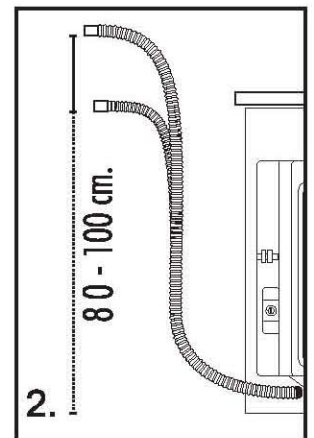
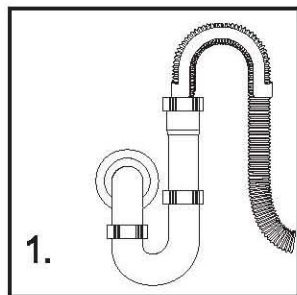
Note: Connect to the water supply using new hose sets. old hose-sets should not be reused.



DRAIN HOSE

1. Use the drain hose bracket to secure the drain hose and prevent the outflow of water. Don't extend the length of the drain hose; if an extended hose is required, please consult an engineer.
2. The height of the drainage outlet must be 80-100 cm. Fix the drain hose to the clip at the back of the washing machine to prevent it from dropping off.

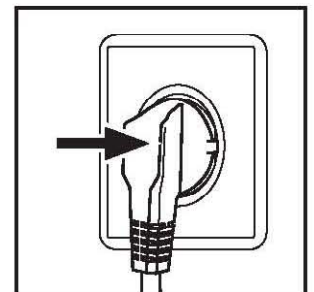
Note: The drain hose should not be submerged in water and should be securely fixed and leak-free. If the drain hose is placed on the ground or if the pipe is at a height of less than 80cm, the washing machine will continuously drain while being filled (self-siphoning).



CONTINENTAL WIREING

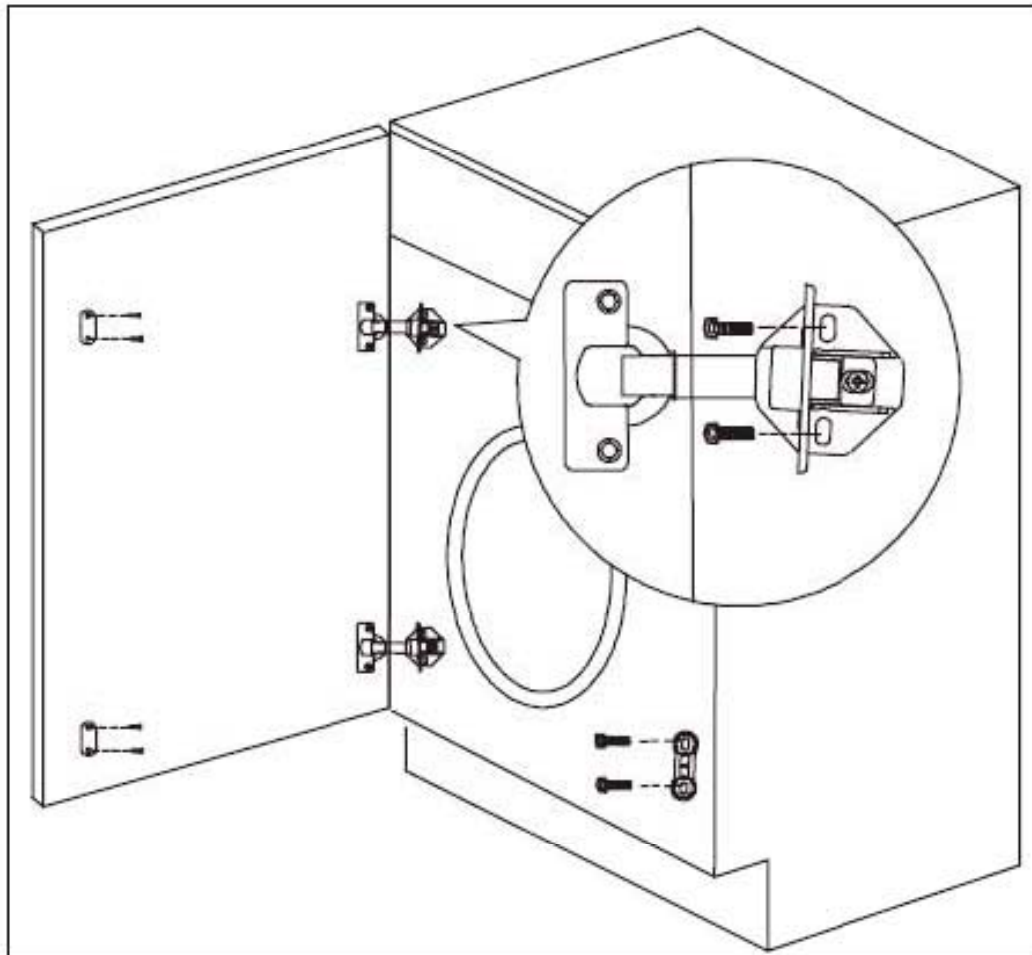
Before connecting to the power supply, check:

- The socket is adequate for the maximum power of the washing machine (For safety, fuses in the power circuit should be rated for no less than 13A).
- The voltage should be 220~240V/50Hz
- The power outlet should be capable of accepting the Washer Dryer plug.
- Connect the machine to an earthed socket outlet.



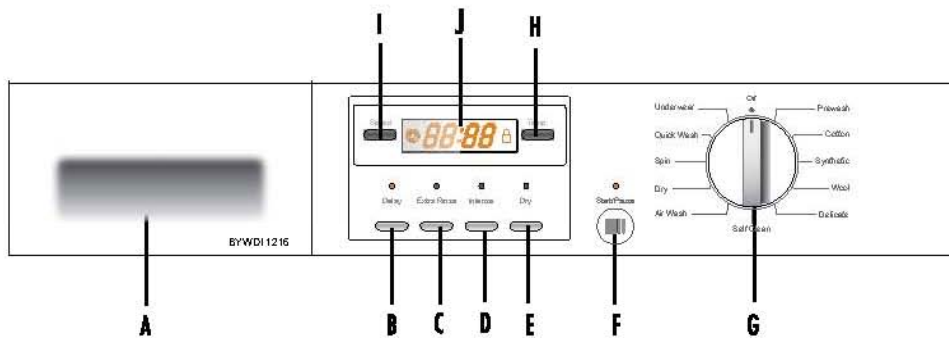
Fitting the furniture door

Please refer to the building in template for instructions on how to fit your integrated appliance and connect the furniture door to the product.



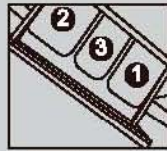
- o Mount the furniture door to the cabinet of the washer dryer, using the hinges supplied.
- o Fix the magnet assembly to the front of the washer dryer and the furniture door.

Chapter 5 Operational Guidance



- | | | | | | |
|----------|--------------------|----------|--------------------|----------|-----------------------|
| A | Detergent drawer | E | Dry button | I | Spinning Speed Button |
| B | Delay button | F | Start/Pause Button | J | Display |
| C | Extra rinse button | G | Program knob | | |
| D | Intense button | H | Wash Temp button | | |

OPERATIONAL FUNCTIONS

<p>A</p>	<p>-Detergent drawer</p>	<p>The drawer contains three compartments:</p> <ol style="list-style-type: none"> 1: Prewash detergent 2: Main wash detergent 3: Fabric softener <p>The recommendation on the type of detergents is suitable for the various washing temperatures, please refer to the manual of detergent.</p> 
<p>B</p>	<p>-Delay button</p>	<p>Touch this button lightly, the washing machine will start operation after a period of time and the corresponding indicator will go on. The range is 0.5-24 hours; each touch of this button increases half an hour. After the button is set, press the Start/Pause button to start countdown of the set time.</p> <p>Note: The delay time must be longer than the program time otherwise the washing machine will start the wash program directly.</p>
<p>C</p>	<p>- Extra rinse button</p>	<p>Press this button, the washing machine will perform additional rinses. Press the button once to select one additional rinse. The display will show "P-1". Press the button repeatedly and the screen will display "P-2" or "P-3", indicating two or three additional selected rinses. The "extra rinse light" is activated and flashes during the performance. "P-1/2/3" is displayed. The light turns off and the display disappears when the extra rinse ends. Note: Some programe is not applicable to this function.</p>
<p>D</p>	<p>- Intense button</p>	<p>Touch this button lightly, the indicator light will be light on . you can increase the washing time, rinsing times in main wash stage of the selected program, which is suitable for dirty clothes.</p>
<p>E</p>	<p>-Dry button</p>	<p>Press the button to select,the Dry indicator light will illuminate.At this time the washing program can not be selected.The washer dryer perform drying funtion only.</p>
<p>F</p>	<p>-Start/Pause Button</p>	<p>When the washing machine is connected to the power socket and a program is selected, lightly touch this button to start operation. During a wash cycle, touch it lightly ,operation will stop and the indicator light start blinking.Touch it again to resume operation. To cancel a wash program during a wash cycle, touch his button, when the indicator light start blinking, turning the Program knob to "off" , the program will be cancelled.</p>

G	-Program knob	_By turning the knob clockwise/counterclockwise, the required program can be selected. There are 12 programs available. note: Program off only use to turn off the washer dryer
H	-Wash Temp	_ Touch this button lightly, the washing temperature will be displayed on the display screen. Select a temperature according to the type of laundry.
I	-Spin Speed	_Touch this button lightly to select the desired speed. When a speed is set, it will be displayed on the display screen. Note: Different water temperatures and spinning speeds can be set for different laundries. Wash using the default settings if there is no special requirement.
J	-LCD Display	_Information as remaining wash time and error messages will be shown here. Note: After a wash program is started the display will go on and the remaining wash time decreases. As the water pressure and temperature may differ, the remaining time may be adjusted accordingly. When the laundry is not balanced during spinning, the time may be automatically prolonged.

Chapter 7 Maintain and Self check

7-1. Caution in maintenance

1. Before the failure diagnosis, watch out for the electric shock and make sure that the power plug is disconnected and then service.
2. After the power switches on, each load will automatically load voltage 220-240V or DC.
3. Before touching the PCB, please touch the earthing wire at first to avoid that the PCB is broken by the static.
4. Exposed terminals, PC board, and rotating parts may cause injury and/or electrical shock. To reduce the risk of electrical shock, disconnect power and allow 60 seconds for capacitors to discharge before servicing.

7-2. Self check

Press the "Delay" and "Intense." button, then rotate the knob to turn on washer, the self check function is activated, "test" and model of machine will be displayed by turn.

Then press "Start/Pause" button, the model of the machine will be displayed for 2 seconds, then the following will be performed.

Step	Specific details
1	When the door switch is closed for three seconds, "88:88" will be displayed. Otherwise "ERR1" will be displayed.
2	When the main wash valve allows water to let in for 3 seconds, when the prewash valve allows water to let in for 3 seconds, when the intenerate valve allows water to let in for 3 seconds, come into next water level, "77:77" will be displayed, if the water can not reach the level in 2 minutes, "ERR5" will be displayed. If the water exceeds the overflow level, "ERR8" will also be displayed.
3	When the washing machine heats water for 10 seconds, "66:66" will be displayed.
4	When the washing machine drains for 2 minutes, if no water left, "33:33" will be displayed. Otherwise "ERR2" will be displayed.
5	When the inner drum runs for ten seconds with the speed of 400rpm at this time and for ten seconds with the speeds of 800rpm 44:44 will be displayed.
6	When the self check program is completed, "End" will be displayed.

7-3. Model selection

When the display board (on the control panel) is replaced technician need to select the correct model according with the model name on the washing machine.

- 1 Press the "Extra Rinse" button and then plug on the machine at the same time, Then "1260" will be displayed on the screen.
- 2 Press the "Speed" button to choose correct speed.
 "1260-1060-860-1650-1450-1250-1050-850-1680-1480-1280-1080-880-1670-1470-1270-1070-870-1660-1460" will be displayed by turn. Then press the "temp" button to save.
 For this model "ci925/WDI2203/WBED 1200H", please choose "1260".
- 3 If you want to change the model again after storage, you can cut off the NTC and do the cycle adjustment.

Chapter 8 Error Display and troubleshooting

8-1 Troubleshooting unnormal

The following circumstances do not constitute problems. Do not contact the maintenance service until the problem has been confirmed.

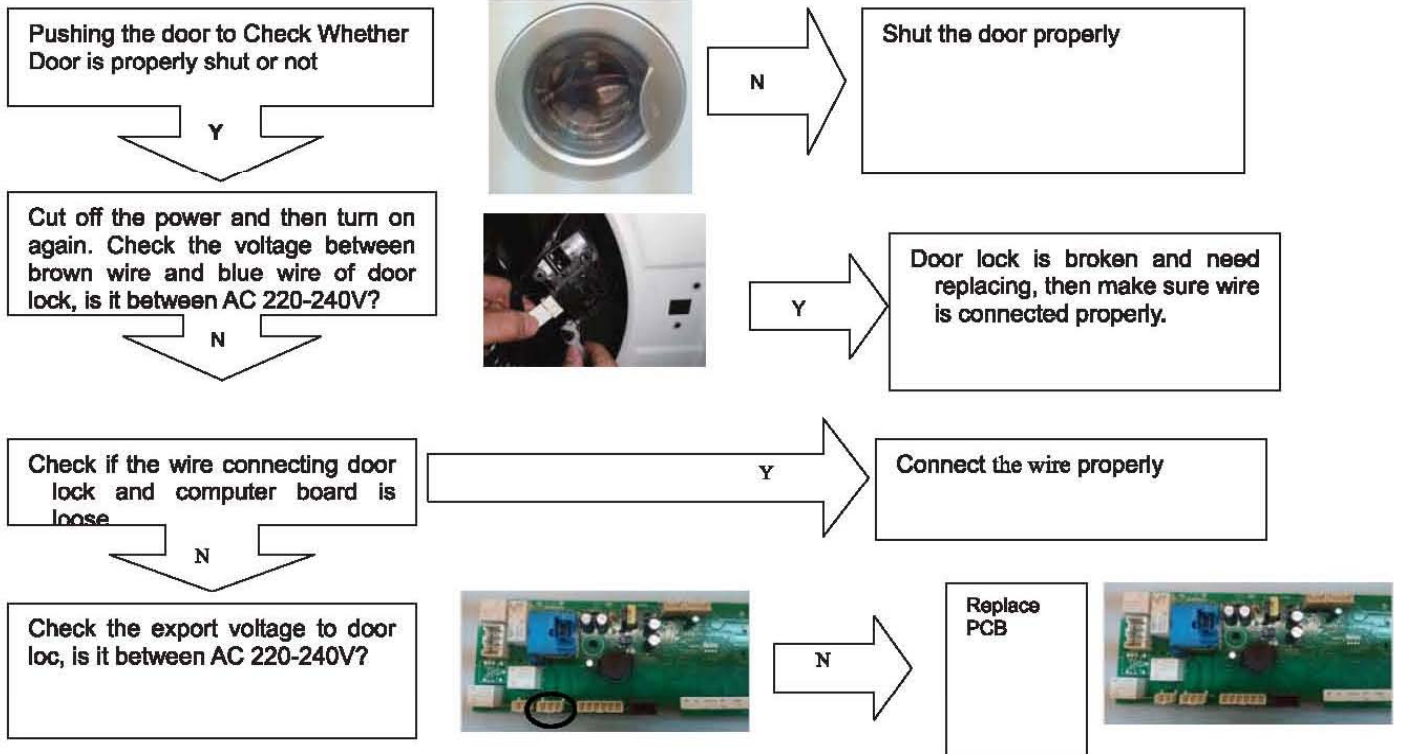
Problem	Possible cause
The washing machine fails to operate	<ol style="list-style-type: none"> 1. Poor connection to power supply 2. Power failure 3. Door is not properly closed 4. Machine has not been switched on
Washing machine can not be filled with water	<ol style="list-style-type: none"> 1. Water tap is not turned on 2. Water pressure is less than 0.03 MPa 3. The inlet hose is kinked 4. Water supply failure 5. The program dial is not properly set 6. The door is not properly closed 7. The inlet hose filter is blocked
The machine is draining while it is being filled	<ol style="list-style-type: none"> 1. The height of the drainage hose is below 80cm (if it should be within 80-100cm) 2. The drainage hose end is in water
Drainage failure	<ol style="list-style-type: none"> 1. Drainage hose is blocked 2. Drainage hose end exceeds 100cm above the floor 3. The filter is blocked
Strong vibration during spin	<ol style="list-style-type: none"> 1. Not all packing bolts have been removed 2. Washing machine is located on an uneven surface or is not level 3. Machine load is over 6kg
Operation stops before completion of a wash cycle	<ol style="list-style-type: none"> 1. Water or electricity failure 2. Washing machine is in soaking cycle
Operation stops for a period of time	<ol style="list-style-type: none"> 1. Washing machine is in anti-crease soaking cycle 2. Washing machine gives an error message
Excessive foam in the drum, which is spilled to the distribution drawer	<ol style="list-style-type: none"> 1. The detergent is not a low-foaming type or for manual wash 2. Excessive use of detergent

8-2. Error Display

CODES	CAUSES	SOLUTIONS
Err1	→ Door is not properly shut.	_ Shut the door properly.
Err2	→ Drainage error, water not emptied within 6 minutes.	_ Clean the filter and check the drain hose for blockage. If error still exists, please contact the maintenance personnel.
Err3	→ Temperature sensor not properly connected or damaged.	_ Contact the maintenance personnel.
Err4	→ Heater error (Appears at the end of a cycle).	_ Reduce load and then start washing again. If problem still exists, please contact the maintenance personnel.
Err5	→Water level not met in 8 minutes. →The height of the drain hose is below 80 cm. → The drain hose is in water.	_ Make sure that tap is turned on, and water pressure is normal. If problem still exists, please contact the maintenance personnel. _ Install drain hose within 80-100 cm of height. _ Make sure the drain hose is not in water.
Err7	→ Motor error.	_ Power off to resolve it.If problem still exists, please contact the maintenance personnel.
Err8	→ Water exceeds protective level.	_ Power off to resolve it.If problem still exists, please contact the maintenance personnel.
Err9	→ The dry temperature sensor error.	_ Power off to resolve it.If problem still exists, please contact the maintenance personnel.
Er10	→ Error of the water level sensor.	_ Power off to resolve it.If problem still exists, please contact the maintenance personnel.
Er12	→ Error of the dry water level sensor.	_ Power off to resolve it.If problem still exists, please contact the maintenance personnel.
Er13	→ Dry heating element error.	_ Power off to resolve it.If problem still exists, please contact the maintenance personnel.
Er14	→ Dry motor error.	_ Please contact the Service Center
End	→ End of wash cycle.	
1:25	→The remaining time is 1 hour 25 minutes.	
19:25	→Status information:Preset time for delayed operation.	
UNb	→Washing machine has an unbalanced load protection function.When unbalanced weight is greater than allowable maximum, the washing machine will not spin and will run at a low speed to avoid abnormal vibration and noise.	<ol style="list-style-type: none"> 1.In case washing 1 piece of laundry (carpet, bed sheet, table sheet, etc) make it symmetrical inside the drum. 2.Lower the wet weight of laundry pieces by wringing manually and placing them back in the drum in symmetrical position. 3.Take out and then reposition the laundry pieces inside the washing machine in a more balanced position on the inner wall of the drum. 4.Add 1 or 2 pieces of laundry into the drum to reduce the unbalanced load effects. 5.Restart the spin cycle by choosing Spin programme.In case the failure persists, please ask a qualified technician to repair it.

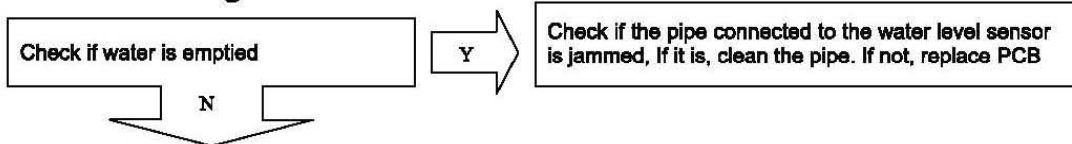


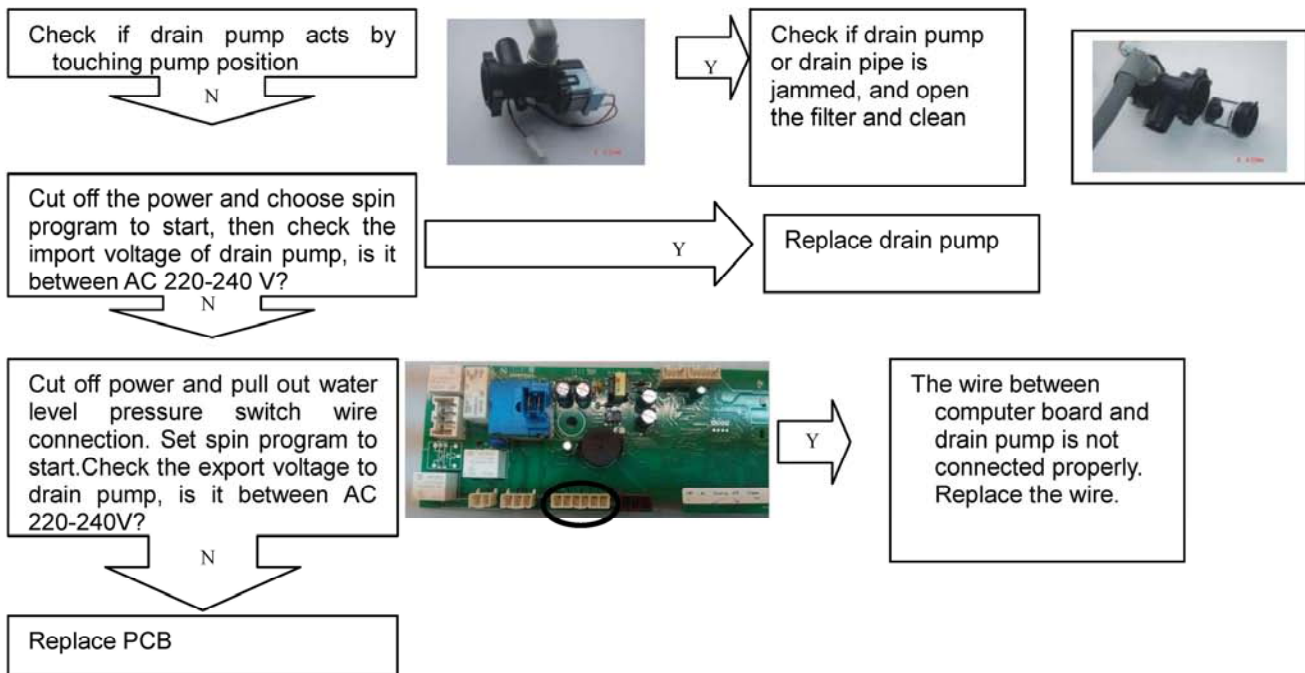
Error message: Door is not properly shut 20s after program is started.
Troubleshooting:



Error message: Drainage error, water not emptied within 4 min.

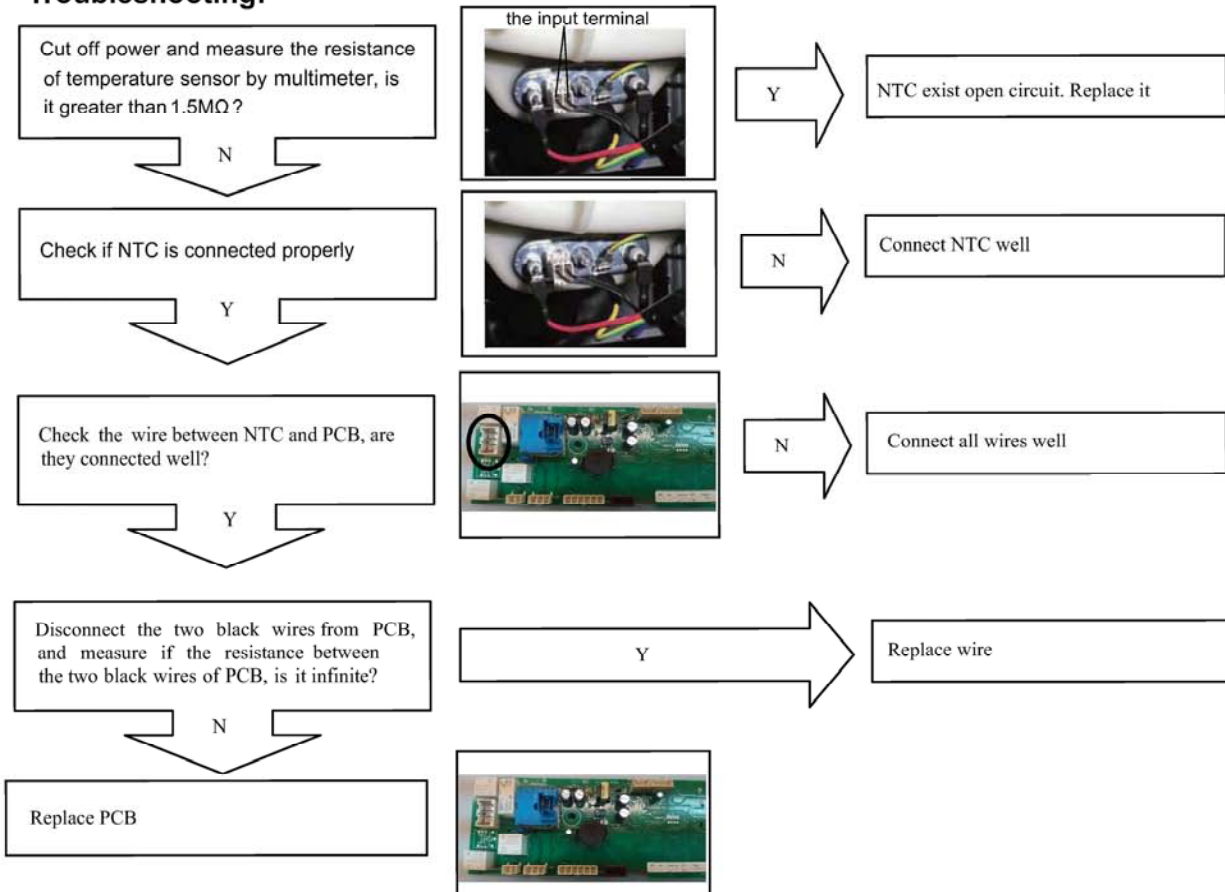
Troubleshooting:





Error message: Temperature sensor is not properly connected or damaged (display at the end of a program).

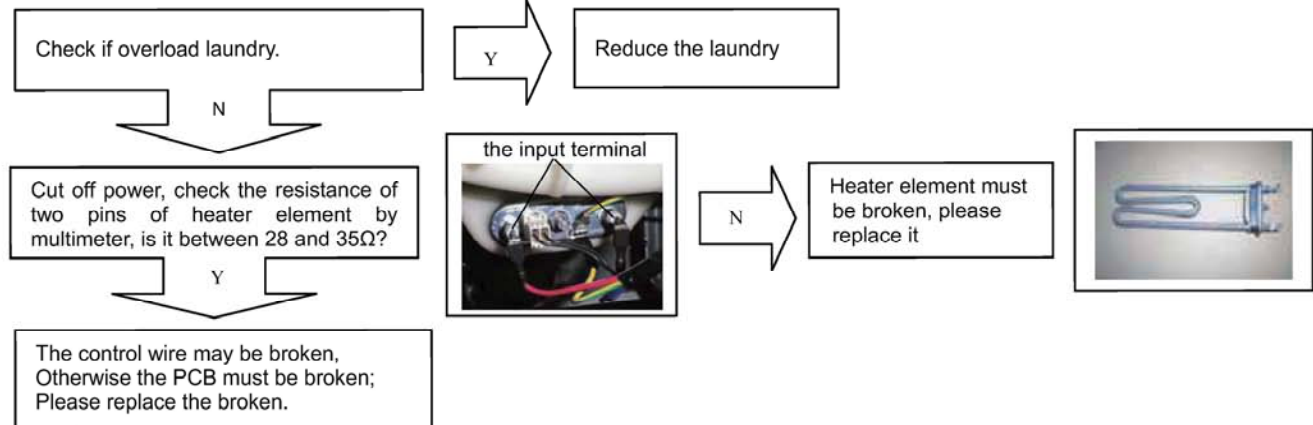
Troubleshooting:





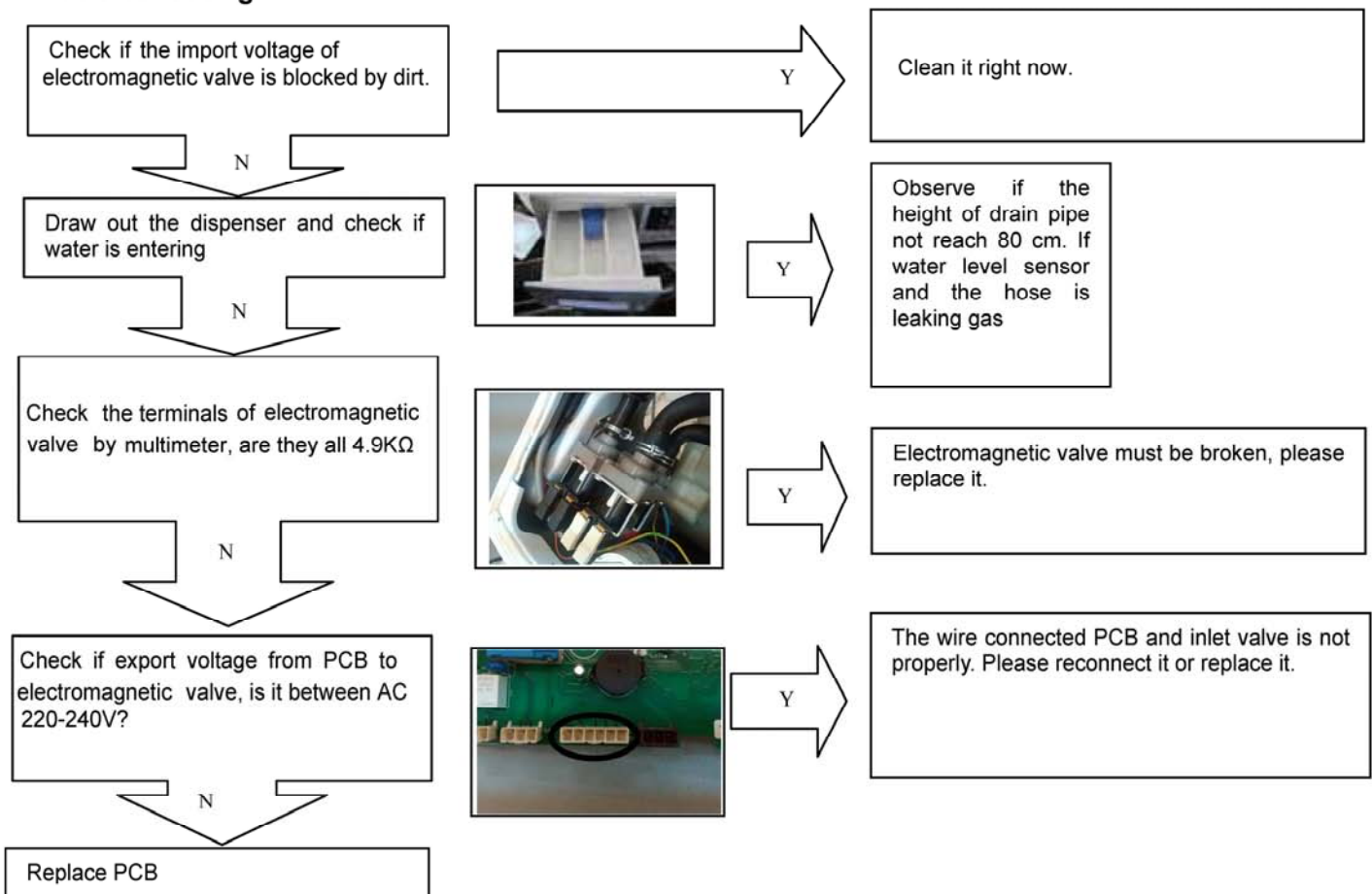
Error message: The heater may be broken

Troubleshooting:



Error message : The required water level is not reached within 8 min.

Troubleshooting:





Error message. Motor speed is abnormal.

Troubleshooting:

Check if clothing winding cause the motor can not normal operation.

Y

Sorting clothing, and operate it again

N

Cut off power and check if motor wires are connected well



N

Reconnect well

Y

Cut off power and check arbitrary two phase by avometer, is it 18.5Ω.



N

The motor is broken, replace it.

Y

Replace the PCB



Error message. Water level exceeds protection value.

Troubleshooting:

Check if the pipe connected to the water level sensor is folded.



Y

Unfold the pipe connected to the water level sensor

N

Check if the pipe connected to the water level sensor is jammed.

Y

Clean the pipe connected to the water level sensor

N

Without power, connect inlet pipe to inlet valve, then open the tap and observe if water is entering into distributor box



Y

Replace inlet valve

N

Without starting but electrifying, measure the import voltage of inlet valve, is it between AC 220-240V?

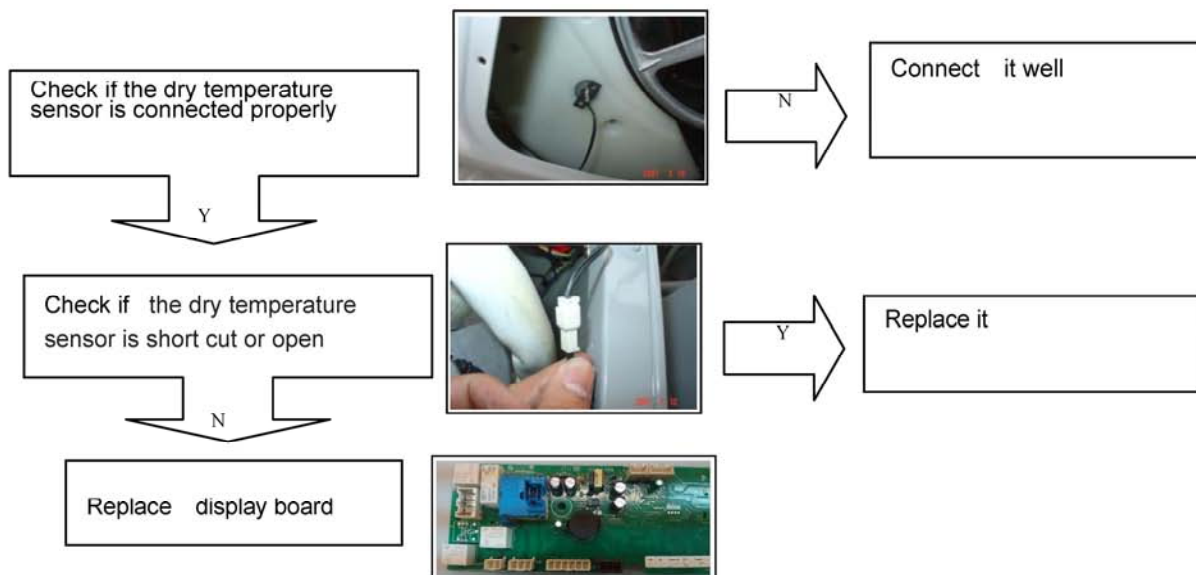


Y

Replace PCB



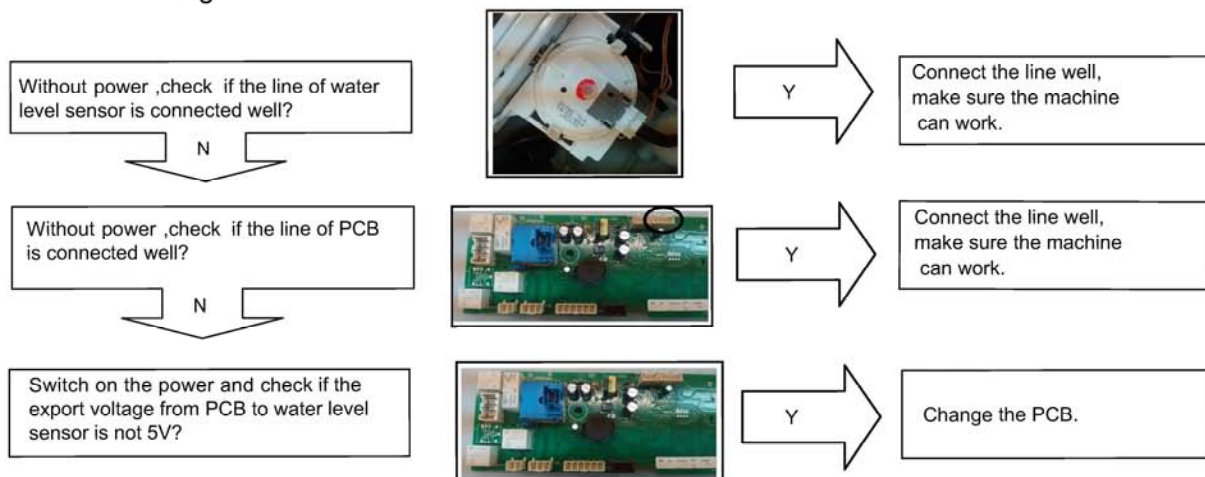
Error message. The dry temperature sensor short cut or open



Er10

Error message: Water level sensor is abnormal.

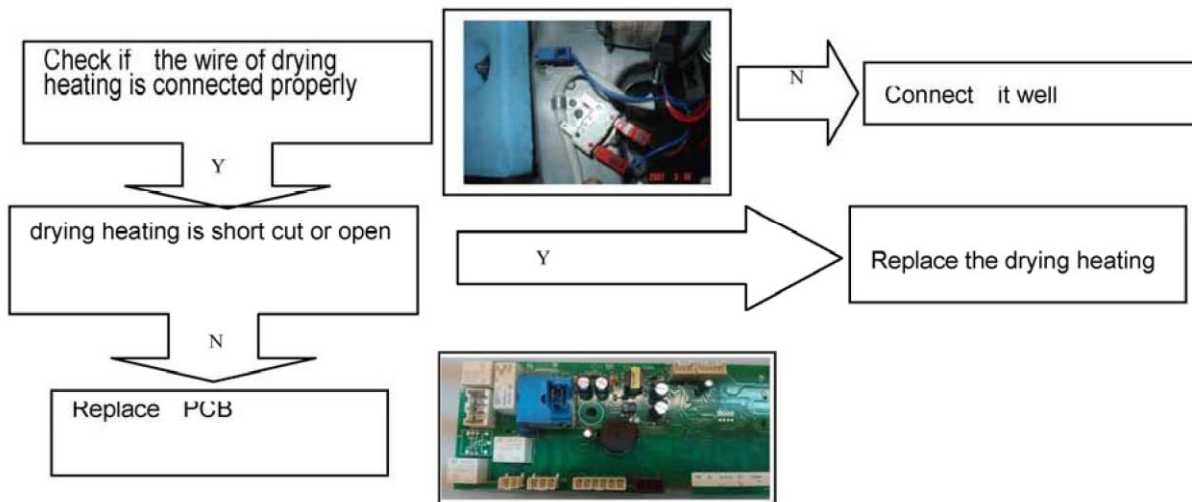
Troubleshooting:



Er13

Failure information:drying heater abnormality

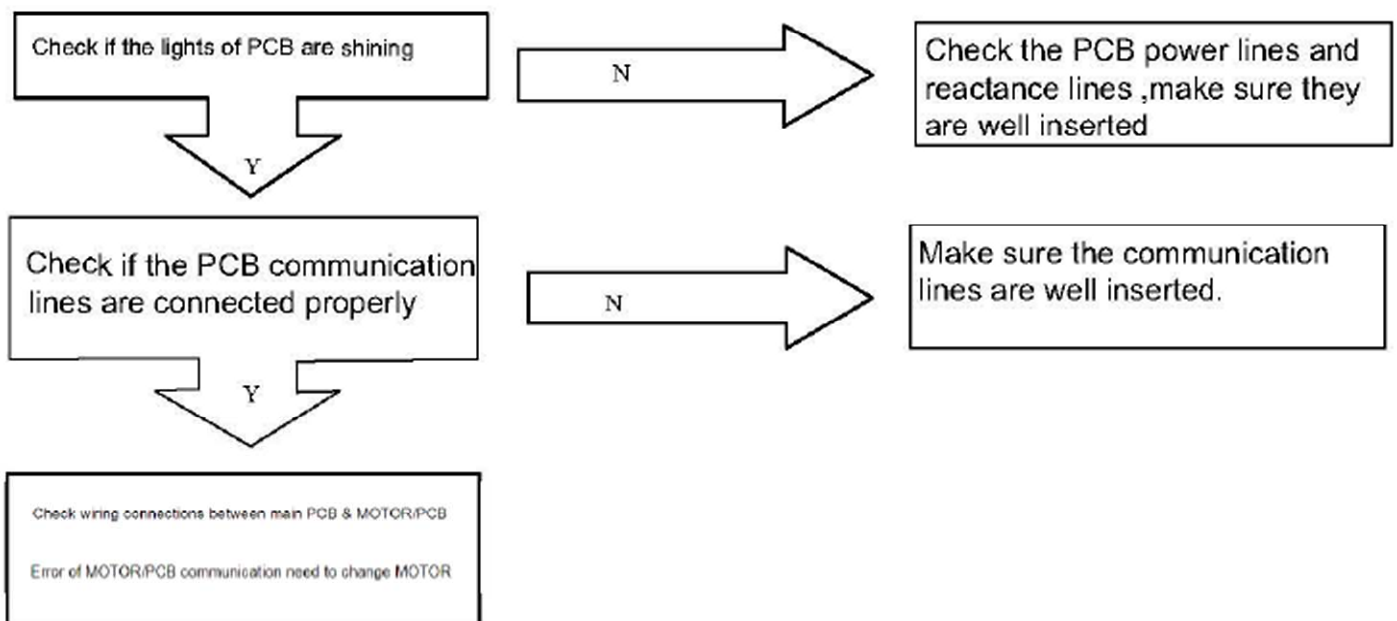
Troubleshooting:



EUAR

Error message. PCB Abnormal phenomena .

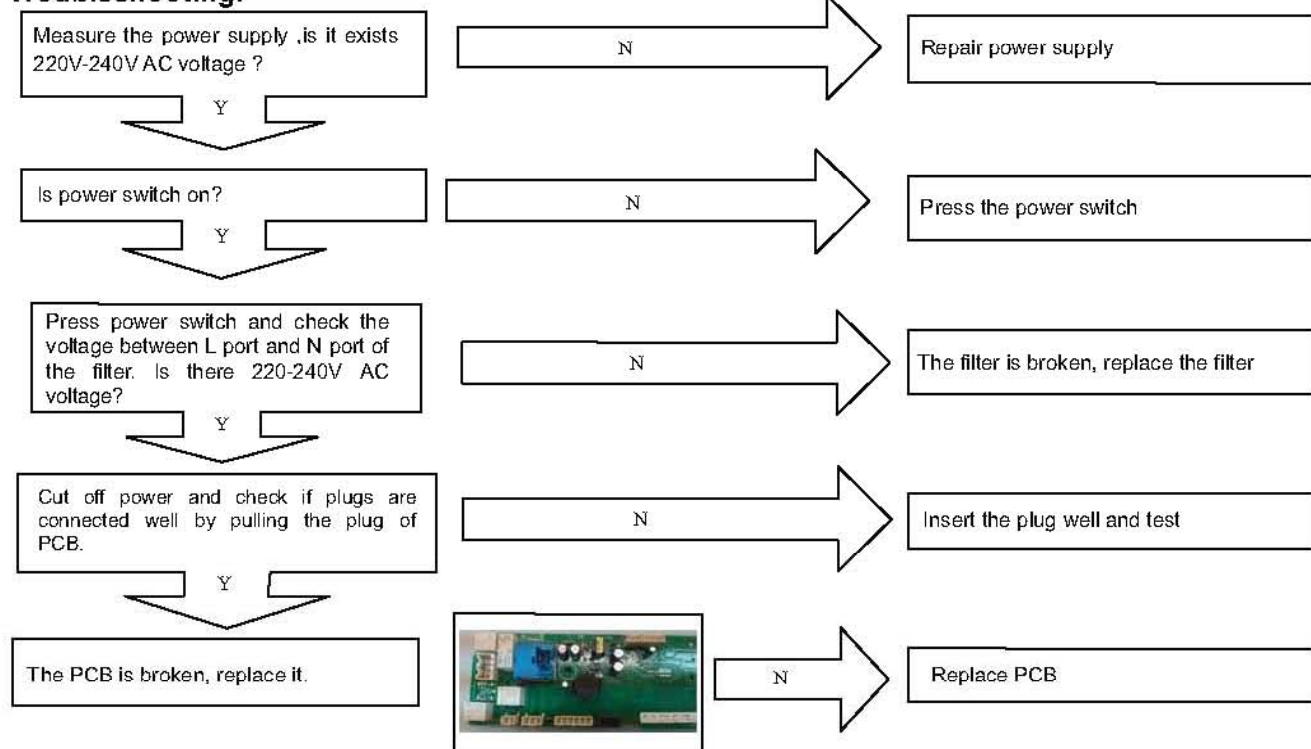
Troubleshooting:



8-3. Examination & Troubleshooting

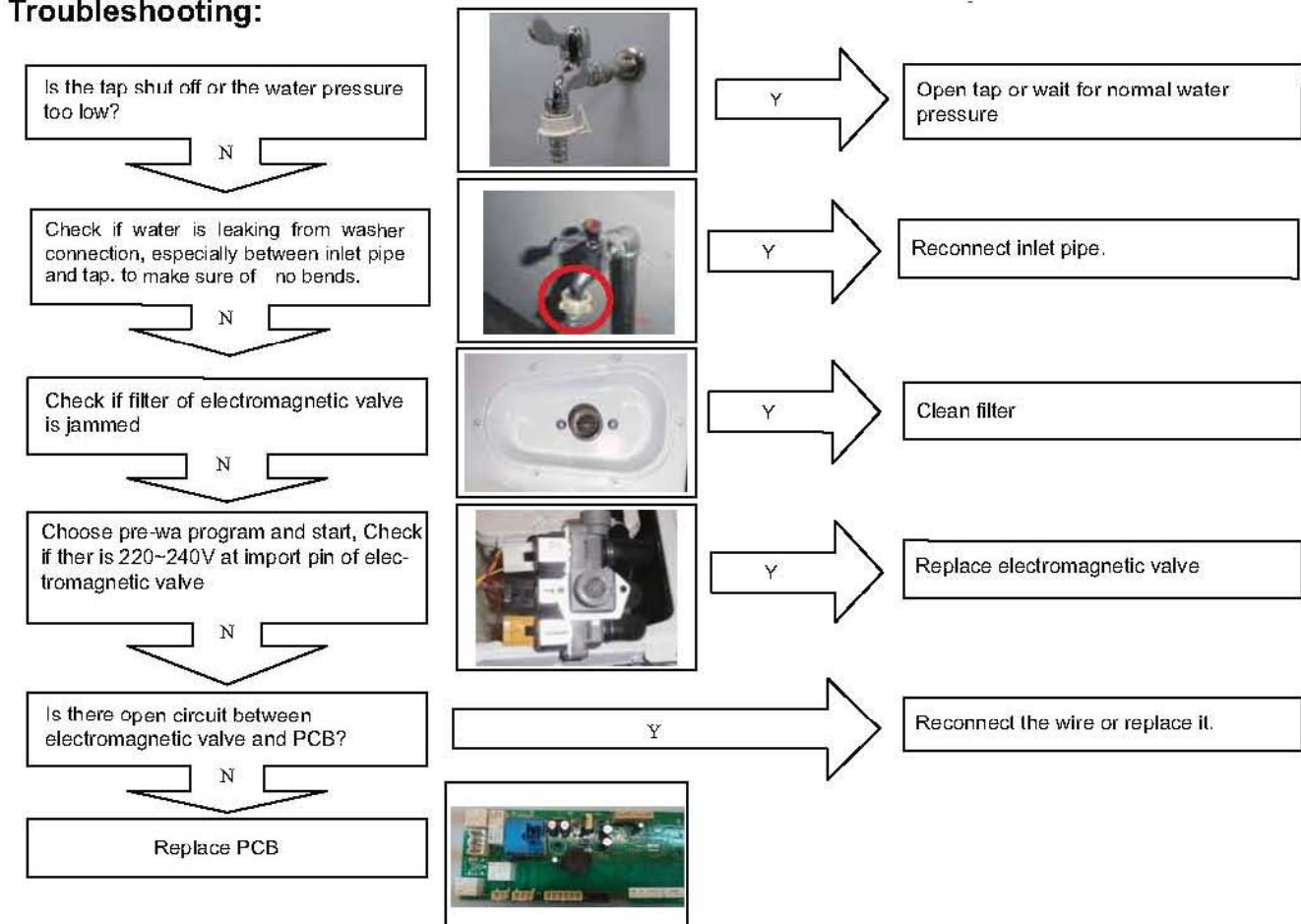
8-3-1. Display nothing

Troubleshooting:



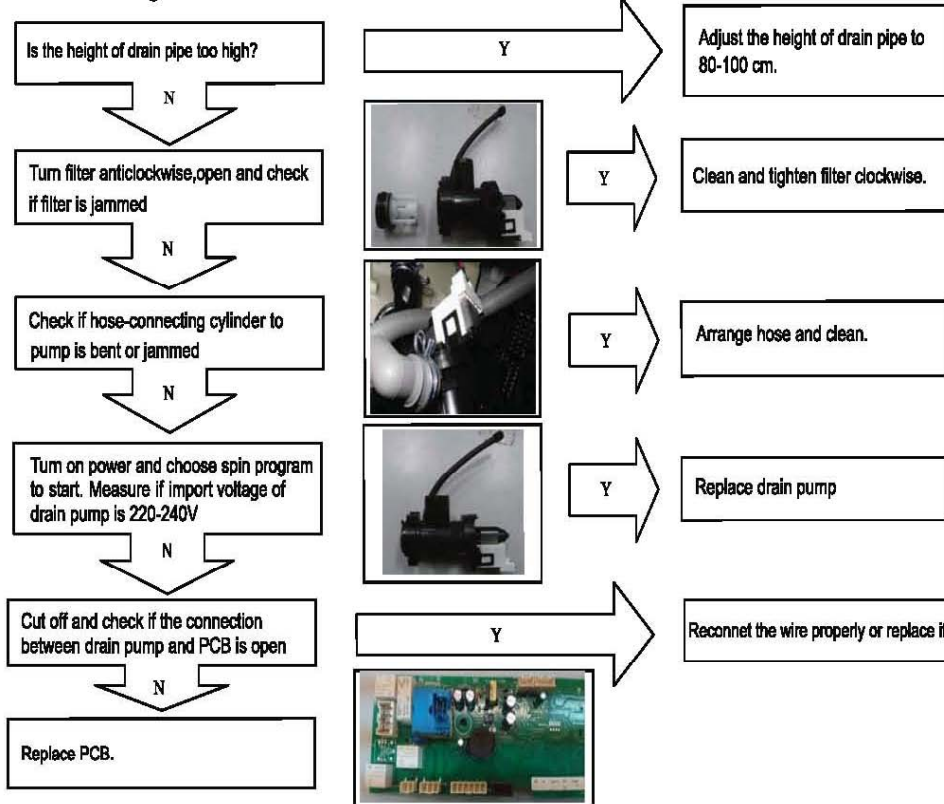
8-3-2. No water inletting

Troubleshooting:



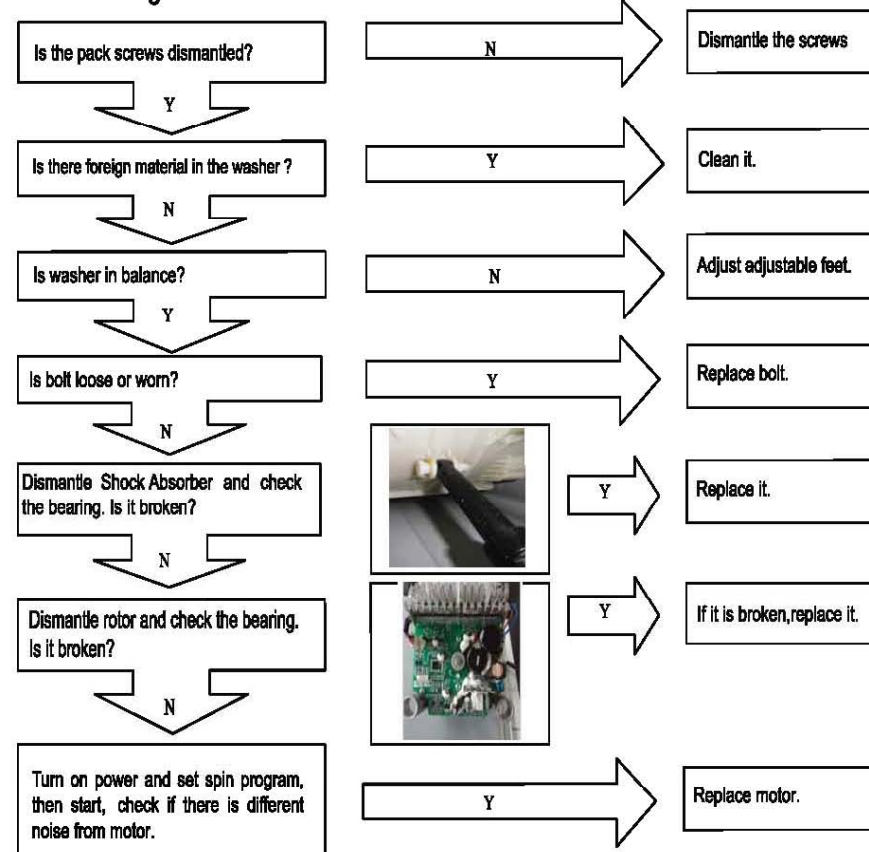
8-3-3. No draining

Troubleshooting:



8-3-4. Abnormal noise and vibration

Troubleshooting:



8-3-5. Water leaking

Troubleshooting:

