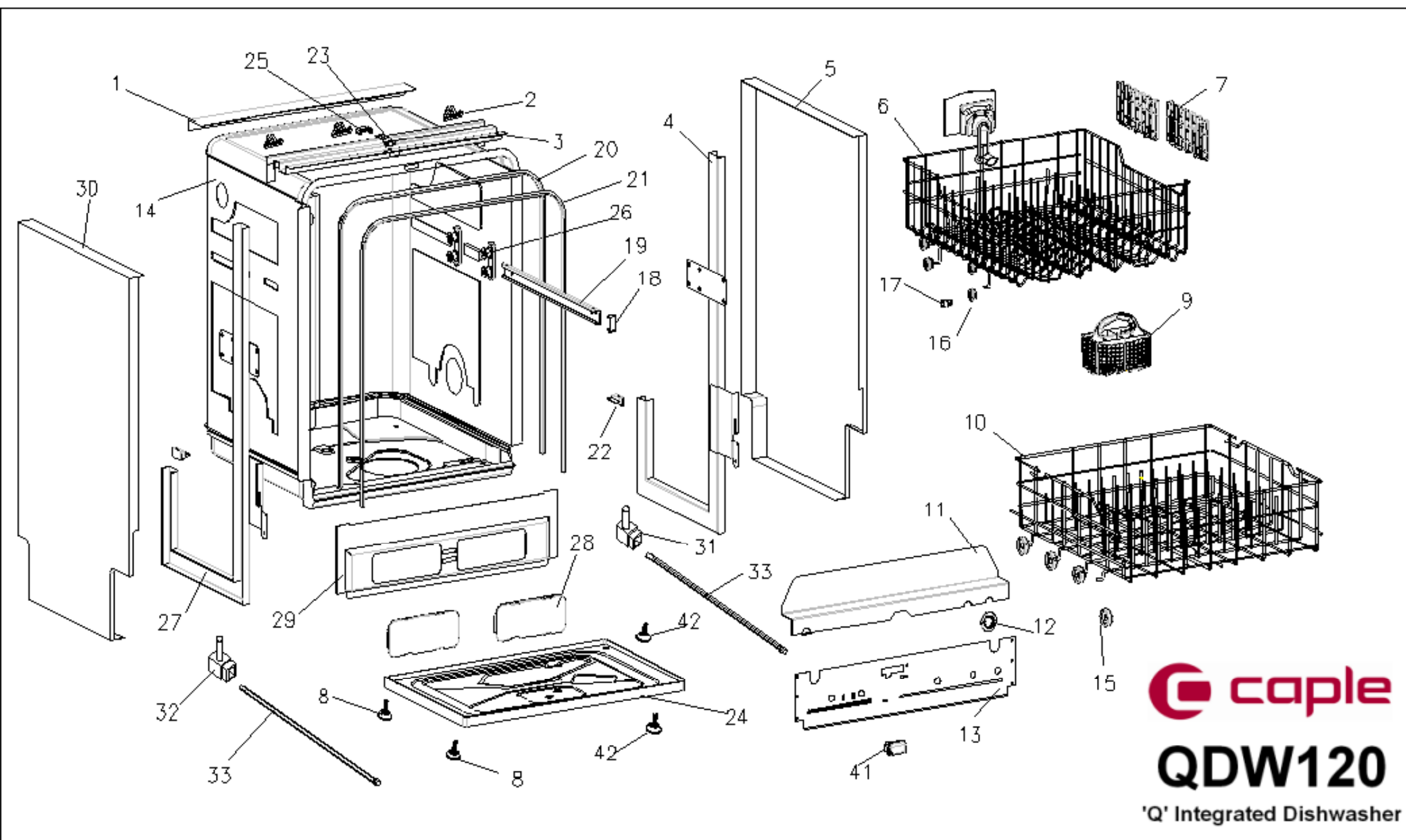




QDW120

'Q' Int Dishwasher

TECHNICAL INFORMATION



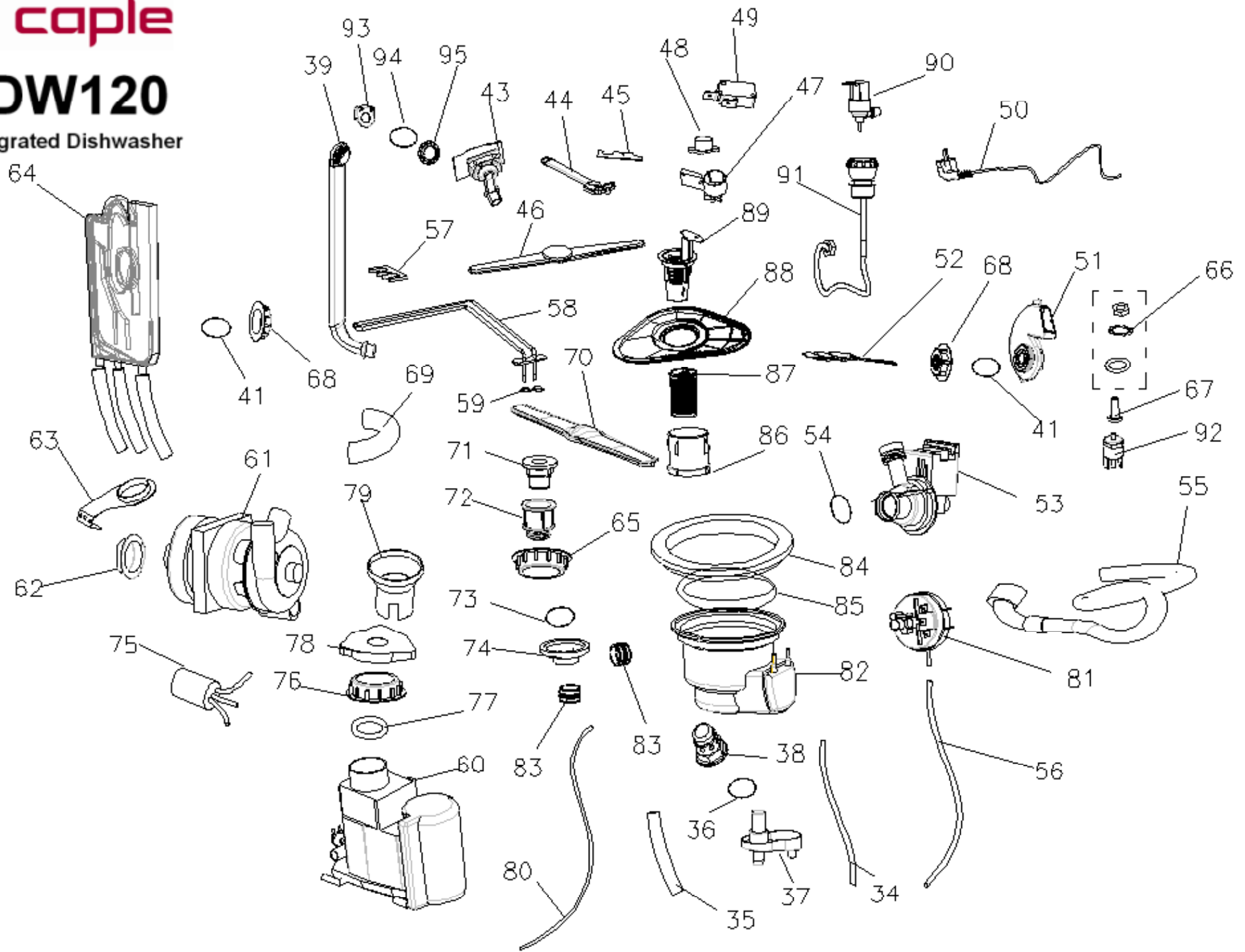
caple

QDW120

'Q' Integrated Dishwasher

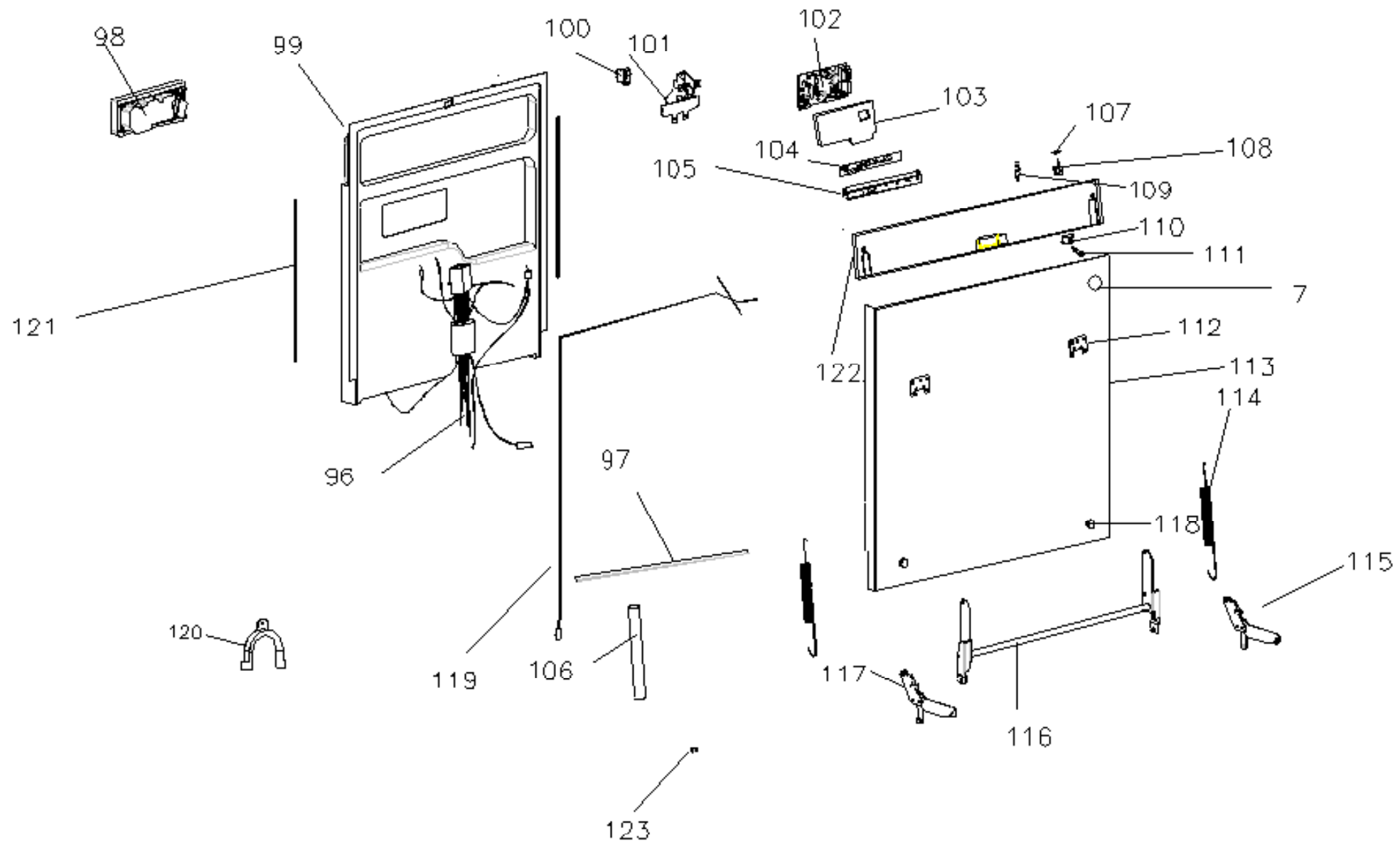
QDW120

'Q' Integrated Dishwasher



QDW120

'Q' Integrated Dishwasher



NO. In explored view	Name of part	Part Specialized code	QTY.	Remark
1	Upper rear crosspiece	012G1310020	1	
2	Main screw for self threading screw 3.5	0120200057	3	
3	Upper front crosspiece	0120800225	1	
4	Right upright assembly	012G9350003	1	
5	Painted right side pannel	012G1020068	1	
6	Upper basket	0120100074	1	
7	Tilter for upper basket	0120201235	4	
8	Adjustable foot	0120600009	2	
9	Cutlery basket	0120201523	1	
10	Lower basket	0120100075	1	
11	Rear intermediate crosspiece	012G1310023	1	
12	Drain hose stop	012G2160204	1	
13	Lower rear crosspiece for acquostop	0120101601	1	
14	Insulated tub assembly	0120800290	1	
15	Wheel for lower basket	0120200964	8	
16	Wheel for upper basket	0120200963	8	
17	Wheel support pin	0120200965	16	
18	Basket rail stop	0120200967	4	
19	Mobile rail for basket	012G1020069	2	
20	Tub gasket	0120300248	1	
21	Support frame for tub gasket	012G1020082	1	
22	Upright small block	0120200124	2	
23	Hooking small block	012G2150037	1	
24	Tray	0120100290	1	
25	Hooking small block	012G2150036	1	
26	Rail support assembly	0120200966	4	
27	Left upright assembly	012G9350002	1	
28	Cover for front crosspiece	0120200065	2	

NO. In explored view	Name of part	Part Specialized code	QTY.	Remark
29	Lower front crosspiece	012G1310027	1	
30	Painted left side pannel	012G1020066	1	
31	Right threaded tapered gear	0120800223	1	
32	Left threaded tapered gear	0120800224	1	
33	Tie rod for foot adjusting	0120100051	2	
34	Overflow protection pipe	0120300282	1	
35	Overflow outlet pipe	0120300281	1	
36	Overflow ring	0120300283	1	
37	Overflow seat	0120201029	1	
38	Overflow cap	0120201028	1	
39	Outer duct	012G2160241	1	
41	Terminal box assembly	0124000162	1	
42	Adjusting screw	0120600065	2	
43	Feeding dispenser assembly	0120801832	1	
44	Water diversion pipe	0120201011	1	
45	Pin for inner duct hooking	0120201010	1	
46	Upper sprayer assembly	0120801726	1	
47	Support for float	0120202056	1	
48	Float for Acquastop	0120503119	1	
49	Micro switch Elbi Type S3	012G6050040	1	
50	Power supply cable	0120400120	1	
51	Air outlet	012G2160197	2	
52	Thermo limiter assembly	0120800379	1	
53	Drain pump	012G5040004	1	
54	O-Ring	012G4050158	1	
55	Drain hose assembly	012G2140061	1	
56	Pressure switch tube	012G2140067	1	

NO. In explored view	Name of part	Part Specialized code	QTY.	Remark
57	Heater Support block	012G1020032	1	
58	Heater assembly	012G6040016	1	
59	Heater jacket	012G4050162	2	
60	Water softener	0124000164	1	
61	Washing pump assembly	012G9370094	1	
62	Vibration-proof ring motor	012G4050159	1	
63	Motor bracket assembly	012G9350006	1	
64	Breather assembly	012G2160196	1	
65	Ring nut for lower spayer fastening	0120201006	1	
66	Elasticity retainer	0120600060	2	
67	Induction contact	012G1450902	1	
68	Breather ring nut	0120201008	3	
69	Duct coupling	012G4050242	1	
70	Lower sprayer	012G1020070	1	
71	Lower sprayer column	0120201005	1	
72	Lower sprayer base	0120201004	1	
73	O-type sealing ring	012G4050153	1	
74	Lower sprayer base fixing piece	012G2160193	1	
75	Electric wave filter	0124000162	1	
76	Softener ring nut	012G2150042	1	
77	Water softener sealing ring	012G4050154	1	
78	Cover of salt dispenser port assembly	0120802037	1	
79	Salt dispenser funnel	012G2160195	1	
80	Connection pipe	012G4050244	1	
81	1-level pressure switch	012G6050043	1	
82	Water gutter	012G2160191	1	
83	Rubber coupling	012G4050152	2	
84	Ring nut for cup fastening	0120201292	1	

NO. In explored view	Name of part	Part Specialized code	QTY.	Remark
85	Cup gasket	012G4050151	1	
86	Microfilter (polyesthere)	012G1040014	1	
87	Inside filter screen	0120200949	1	
88	Plane filter screen	0120200948	1	
89	Filter	0120201009	1	
90	1-way solenoid valve	012G5060020	1	
91	Water charge hose	0120800683	1	
92	Thermo limiter	012G6010009	1	
93	Basket guide housing	0120201007	1	
94	O-Ring	012G4050157	4	
95	Ring nut for outer duct fastenig	012G2160194	1	
96	Control cable	0120801673	1	
97	Door gasket	012G4050243	1	
98	Detergent dispenser	0124000215	1	
99	Inner Door	0120101404	1	
100	Door switch	0120800356	1	
101	Switch mechanism assembly	0120800357	1	
102	control panel	0124000165	1	
103	control cover	0120200244	1	
104	Card for led support	0120200985	1	
105	Left led card support	0120200994	1	
106	Door spring Cover	0120200048	2	
107	Power Key-press	0120200226	2	
108	Power supply switch	012G9370091	1	
109	Green indicator	0120800354	1	
110	Springs adjusting small block	0120100042	2	
111	Spring adjusting screw	0120600197	2	
112	Block hooking bracket	0120100052	2	

NO. In explored view	Name of part	Part Specialized code	QTY.	Remark
113	Outer door	0120100043	1	
114	Door spring	0120100047	2	
115	Left hinge articulation	012G9380559	1	
116	Complete hinge assembly	0120800589	1	
117	Right hinge articulation	012G9380558	1	
118	Rubber	0120300014	2	
119	Adjusting cables	0120100053	2	
120	Drain hose support bracket	012G2130193	1	
121	Door gasket guard strip	012G2140094	2	
122	Dashboard	0120202984	1	
123	Hinge shaft	012G8080007	2	

