



DI607/15

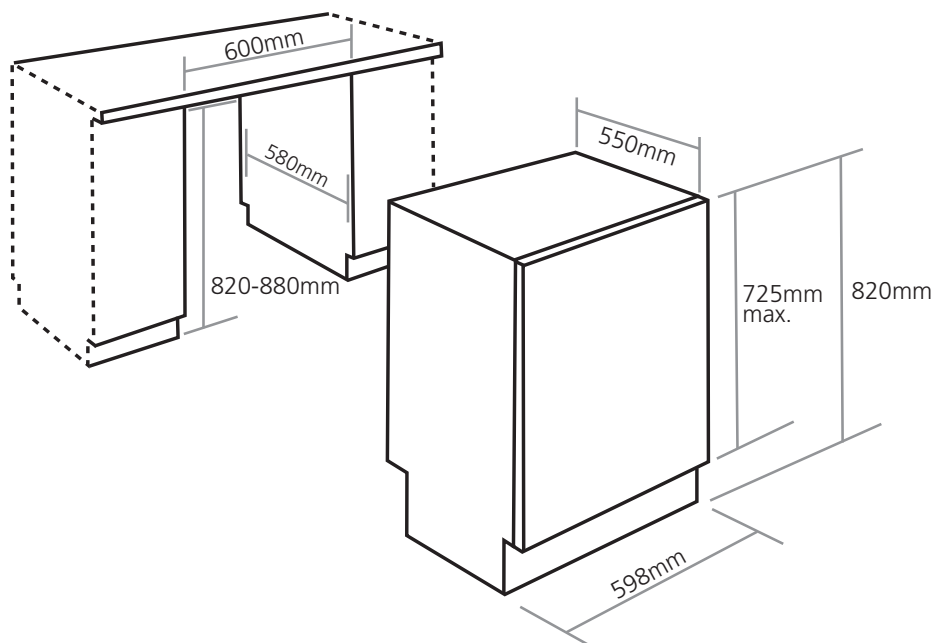
Caple 15 Place 60cm
Integrated Dishwasher



TECHNICAL INFORMATION

Product installation diagrams

Models:
Di607/15



15 Place Dishwasher Di607/15

- Fully integrated dishwasher
- 8 Programmes:
- - auto 55-65°C
- - intensive 70°C
- - normal 55°C
- - light 50°C
- - delicate 45°C
- - rapid 40°C
- - heat 65°C
- - cold water soak
- Max. noise level 50dB(A)
- Energy consumption 400kwh/y
- Water consumption (65°C normal prog.) 16L
- Delay timer 1-24hr
- Half load
- 3-in-1 function for use with tablets containing salt and rinse-aid
- Memory function resumes programme if power is interrupted
- 15 Place settings
- 4 Spray levels
- Max. plate diameter 26cm
- Stainless steel inner door and interior
- Electronic control panel
- Black door top control panel
- Titanium grey plastic baskets
- Hidden heating element
- Height adjustable upper basket
- Flat cutlery rack on upper basket
- 4 Level water softening system
- LED programme progress indicator
- Electronic salt and rinse aid refill lamps
- Water overflow protection systems
- Aquastop kit
- Electrical connection
- Rated load 2.15kW
- Fuse rating 13A

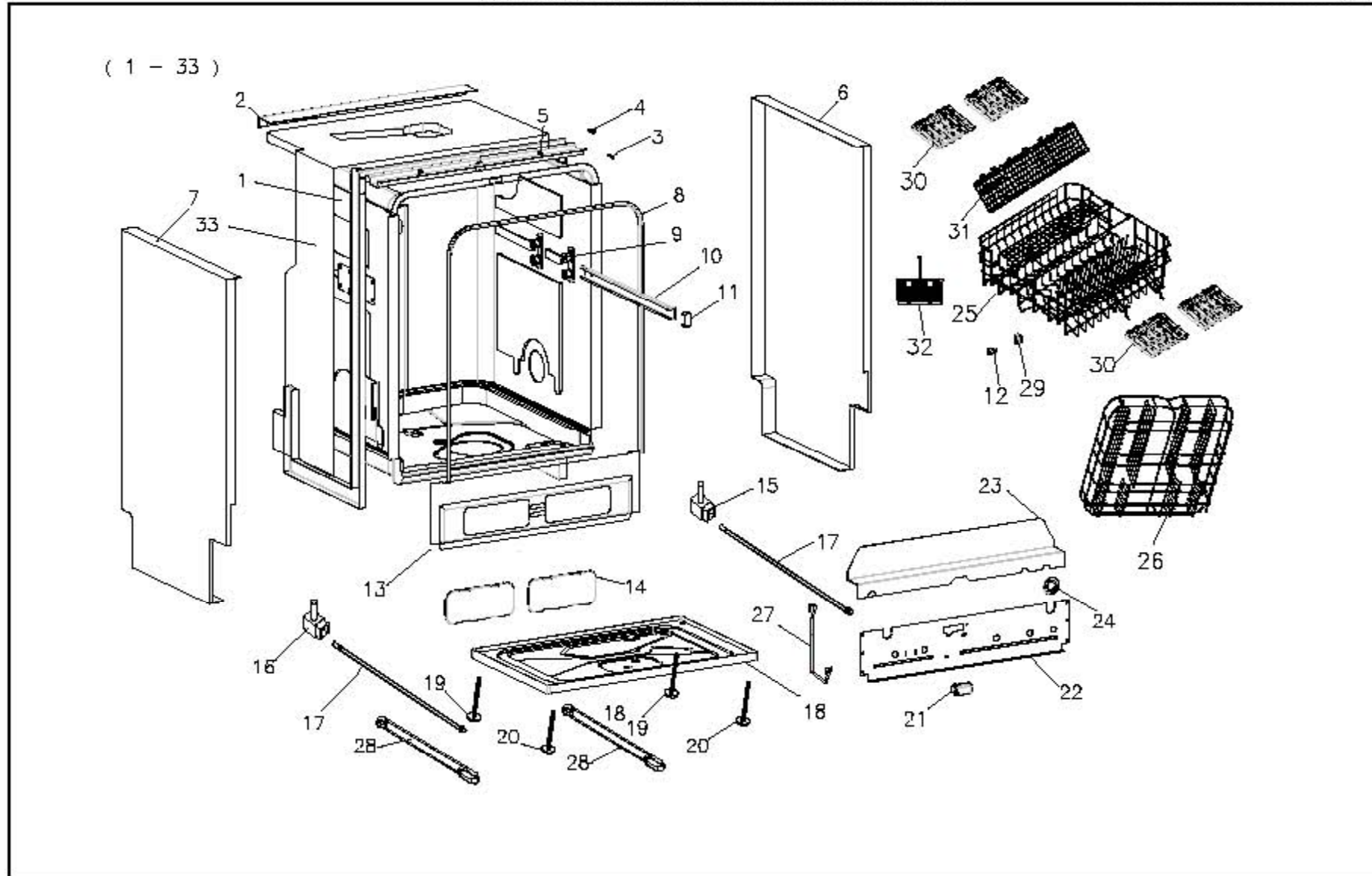


AAA RATED

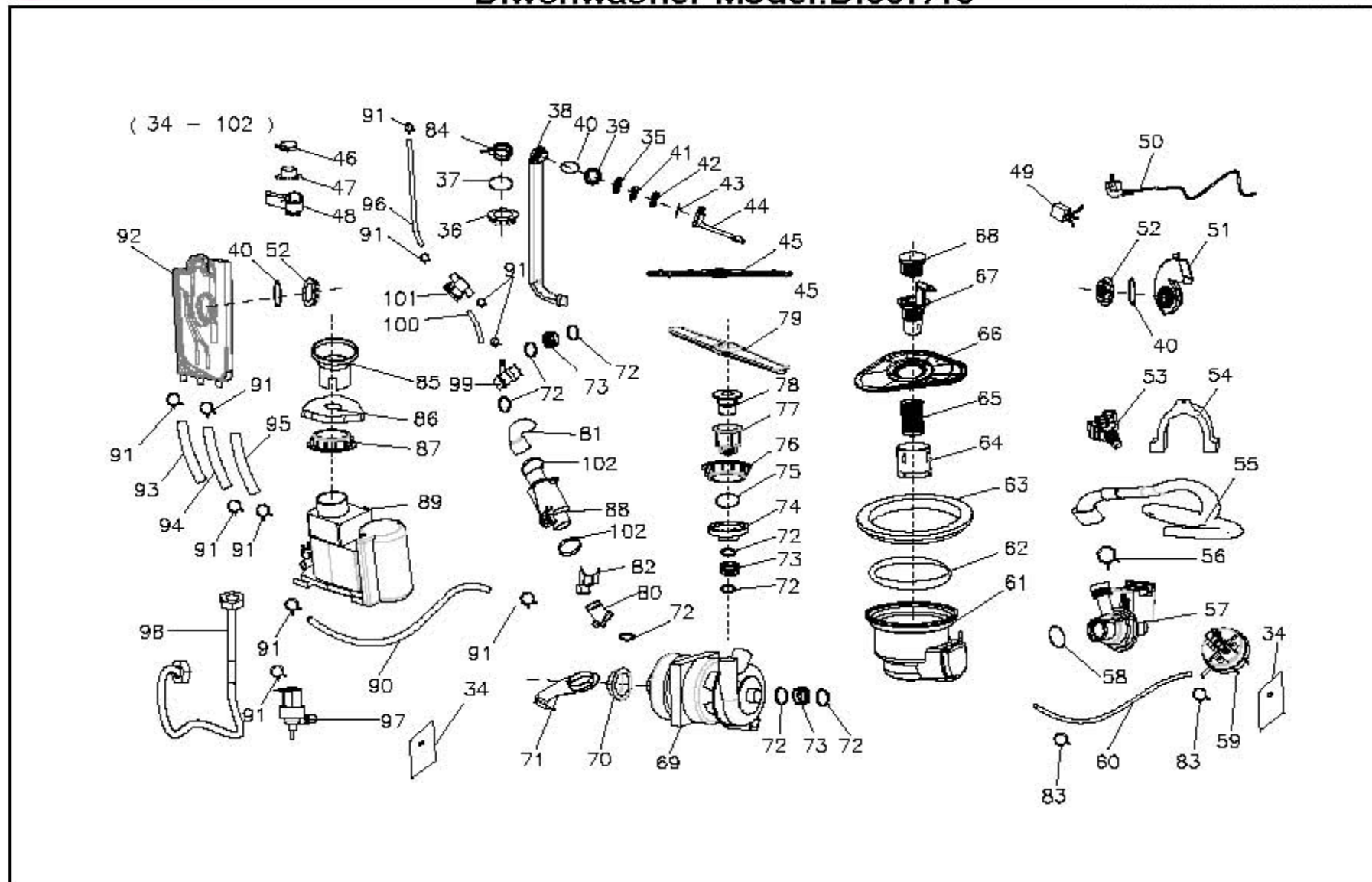
Energy class A

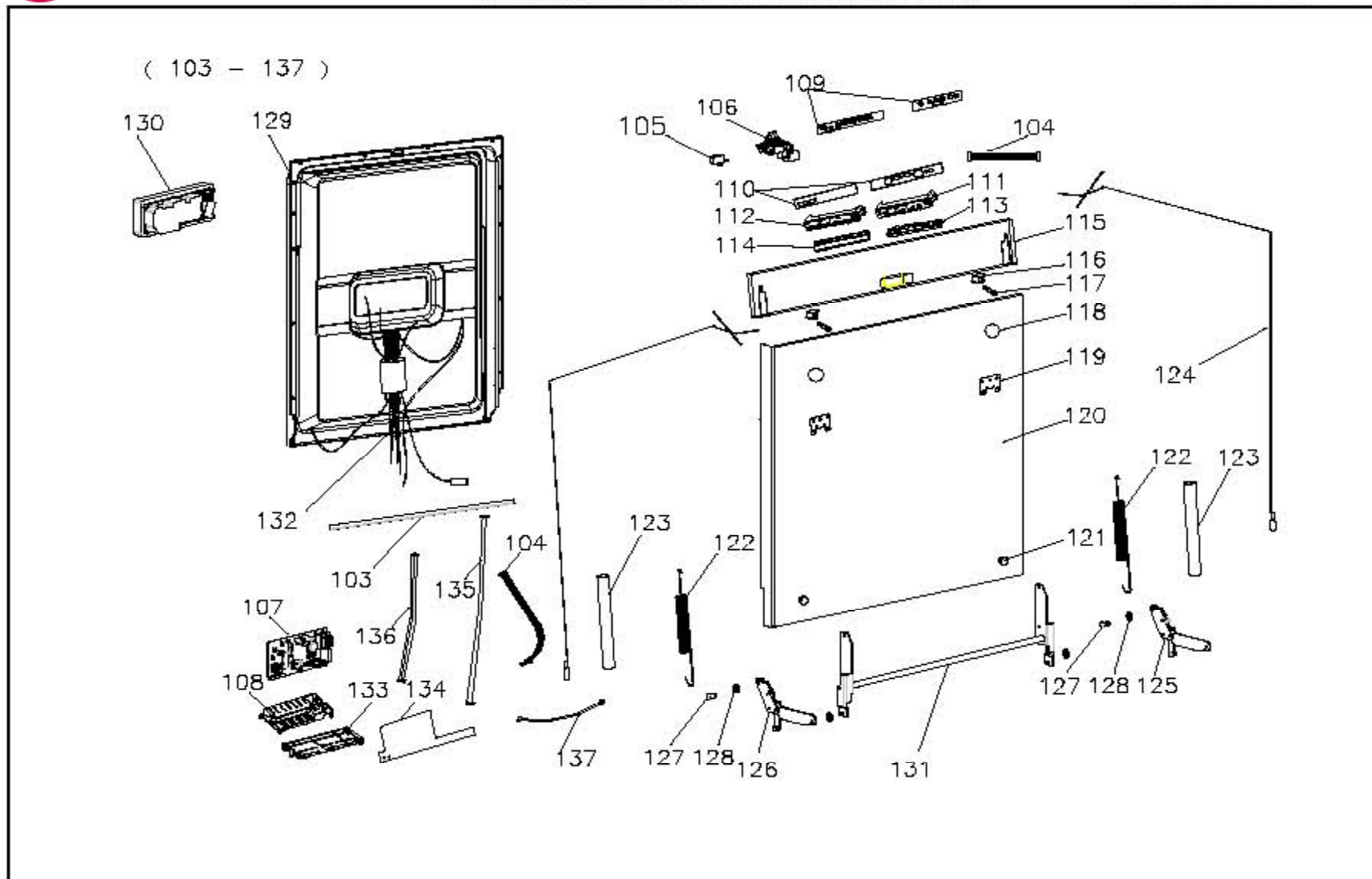
Wash class A

Drying performance A



Diwshwasher Model:DI607/15





**Dishwasher Model: Di607/15**

No.	Spare parts	Spare parts description in english	Qty	Remark
1	0120807347	Insulated tub assembly	1	
2	012G1310020	Upper rear crosspiece	1	X
3	0120105148	Door hook	1	
4	0120202328	Door hook fixation	1	
5	0120200057	Main screw for self threading screw 3.5	1	
6	0120106819	Painted right side pannel	1	
7	0120106818	Painted left side pannel	1	
8	0120300248	Tub gasket	1	
9	0120200966	Rail support assembly	4	
10	012G1020069	Mobile rail for basket	2	
11	0120200967	Basket rail stop	4	
12	0120200963	Wheel for upper basket	16	
13	012G1310027	Lower front crosspiece	1	X
14	0120200065	Cover for front crosspiece	2	
15	0120800223	Right threaded tapered gear	1	
16	0120800224	Left threaded tapered gear	1	
17	0120100051	Tie rod for foot adjusting	2	
18	0120105715	Tray	1	X
19	0120600009	Adjustable foot + nut	2	
20	0120600065	Adjustable screw	2	
21	012G2150046	Terminal box assembly	1	*
22	012G1310021	Lower rear crosspiece for acquostop	1	X
23	012G1310023	Rear intermediate crosspiece	1	X
24	012G2160204	Drain hose stop	1	
25	0120106400	Upper basket	1	
26	0120106401	Fix lower basket	1	
27	0120105482	Drain pump fixup bracket	1	
28	0120200050	Slide for foot	2	
29	0120200965	Wheel support pin	16	*
30	0120201235	Tilter for upper basket	4	
31	0120201260	Knife rack	1	
32	0120803156	Cutlery basket	1	
33	012G4120003	Ceiling - side sound deadening	1	
34	012G2140092	PVC velum for solenoid volve	2	
35	0120202779	Cover for inner duct	1	
36	0120201003	3rd sprayer	1	
37	0120301022	O-Ring gasket	1	
38	0120202702	Outer duct	1	
39	0120202777	second sprayer base	1	
40	012G4050157	O-Ring gasket	3	
41	0120300947	Diversion pipe sealing	1	
42	0120202780	Inner duct sealing	1	
43	0120202675	Duct for second sprayer	2	
44	0120202778	Inner duct	1	
45	0120801726	Upper sprayer assembly	1	
46	012G6050040	Micro switch	1	*
47	0120505219	Float for Acquastop	1	

**Dishwasher Model: Di607/15**

No.	Spare parts	Spare parts description in english	Qty	Remark
48	0120202056	Support for float	1	
49	0120400001A	Antijamming filter	1	*
50	0124000096	Power supply cable	1	*
51	012G2160197	Air break nozzle	1	
52	0120201008	Breather ring nut	2	
53	0120800379	Thermo limiter assembly	1	*
54	012G2130193	U-support for drain hose	1	
55	012G2140061	Drain hose	1	
56	0120600757	Band	1	
57	012G5040004	Drain pump	1	*
58	012G4050158	O-Ring gasket	1	
59	012G6050043	Water-level pressure switch	1	*
60	012G2140067	Pressure switch tube	1	
61	012G2160191	Complete cup assembly	1	
62	012G4050151	Cup gasket	1	
63	0120201292	Ring nut for cup fastening	1	
64	012G1040014	Microfilter (polyesthere)	1	
65	0120200949	Inner filter screen	1	
66	012G1040012	Stainless steel extractable filter	1	
67	0120201009	Extractable glass-filter	1	
68	0120202285	Extractable glass-filter column	1	
69	012G9380538	Motorpump assembly	1	*
70	012G4050159	Vibration-proof ring for motor	1	
71	012G9350006	Motor support bracket assembly	1	
72	012G1040028	Band	6	
73	012G4050152	Rubber coupling	2	
74	012G2160193	Lower sprayer base fixing piece	1	
75	012G4050153	O-Ring gasket	1	
76	0120201006	Ring nut for lower spayer fastening	1	
77	0120201004	Lower sprayer base	1	
78	0120201005	Lower sprayer column	1	
79	012G1020070	Lower sprayer	1	
80	0120300949	Water intake hose (heating element	1	
81	0120300950	Coupling (column / heating element)	1	
82	0120202703	Support for heating element	1	
83	012G8050084	Band	2	
84	0120202701	Upper sprayer base	1	
85	0120201753	Salt funnel	1	
86	0120802037	Softener plug assembly	1	
87	012G2150042	Softener fastening ring nut	1	
88	0124000590	Hidden heating element	1	*
89	0120806044	Adjustable softener with reed	1	*
90	012G4050247	Connection pipe(yellow)	1	
91	012G1040020	Band	11	
92	0120806230	Breather assembly	1	
93	012G4050244	Connection pipe	1	
94	012G4050246	Connection pipe(red)	1	



Dishwasher Model: Di607/15

No.	Spare parts	Spare parts description in english	Qty	Remark
95	012G4050245	Connection pipe(green)	1	
96	0120300980	Water diversion pipe	1	
97	012G5060020	1-way solenoid valve	1	*
98	0120800683	Water charge hose	1	
99	0120202945	Odditional part for Outer duct	1	
100	0120300981	Water diversion pipe	1	
101	0124000588	Turbidity sensor	1	*
102	0120105775	Band	2	
103	012G4050243	Inner door gasket	1	
104	0120400483	Connect cable	1	
105	0124000127	Micro switch (door)		
106	0120804868	Switch mechanism assembly	1	
107	0124000629A	PC board	1	*
108	0120202618	PCB board cover	1	
109	0121800006	Display board	1	
110	0120505860	PC display cover board	1	
111	0120202930	Right led card support	1	
112	0120202929A	Left led card support	1	
113	0120300991	Right led support protection	1	
114	0120300990A	Left led support protection	1	
115	0120202268A	Dashboard	1	*
116	0120100042	Spring adjusting small block	2	
117	0120600197	Spring adjusting screw	2	
118	0120300304	Sealed plug	2	
119	0120100052	Block hooking bracket	2	
120	0120105719	Painted outer door	1	X
121	0120300014	Rubber	2	
122	0120100047	Door spring	2	
123	0120200048	Door spring Cover	2	
124	0120100053	Spring adjusting cable	2	
125	012G9380559	Left hinge articulation	1	
126	012G9380558	Right hinge articulation	1	
127	012G8080007	Hinge pin	2	
128	0120600060	Elasticity retainer	4	
129	0120105712A	Inner door	1	X
130	0124000213	Detergent dispenser	1	
131	0120800589	Complete hinge assembly	1	
132	0120400339	Complete wiring group	1	
133	0120202617	PCB board cover bottom	1	
134	0120202582	Velnm for PCB board bottom	1	
135	0120400431	Connecting cable for PCB and Flowmeter	1	
136	0120400432	Connecting cable for PCB and Turbidity sensor	1	
137	0120400484	Connecting cable for 1-way solenoid valve	1	



Dishwasher Model: Di607/15

1,The failer rate and the proportion of the spare-part stock are regarded as the reference of the stock for spare-parts;The first time should be stocked accroded with the proportion of the spare-parts,and it should be adjusted with the actual quantity 3 months later.

2,easy-damaged;The spare-part which is often damaged and the customer must stock in the spare-parts warehouse,and should be marked with"*"

3,possible damaged:The spare-part which is not often damaged like the easy damaged one and the customer may stock in the spare-part warehouse accord with the actual case,should be marked with " " .

4,not need provided :The spare-part which is seldom damaged or the maintenance man could not maitmains.The spare parts may be air freighted by the factory if they were damaged.The customer needs no stock in the spare-part warehouse,should be marked with " x " .

5,Above should be improved accord with the reply of the market half a year per time.

6.The spare parts price on net is FOB Qingdao term.