



# DI604

**Caple Deluxe 60cm  
Integrated Dishwasher**



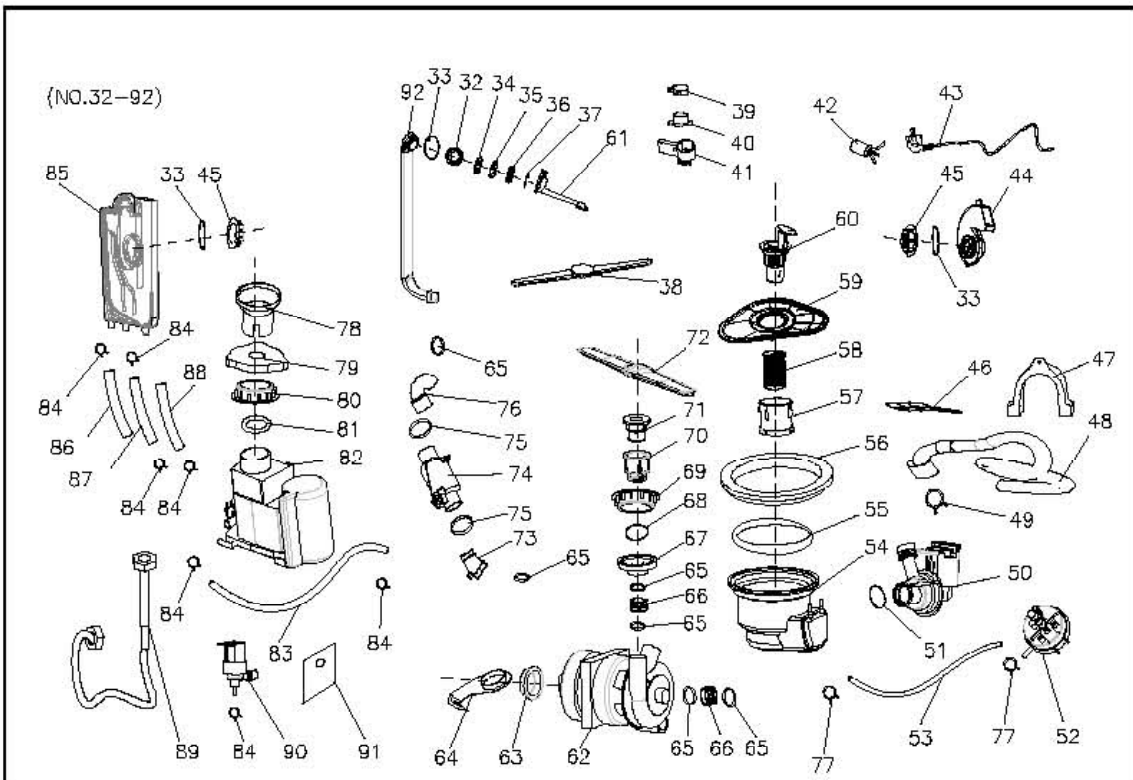
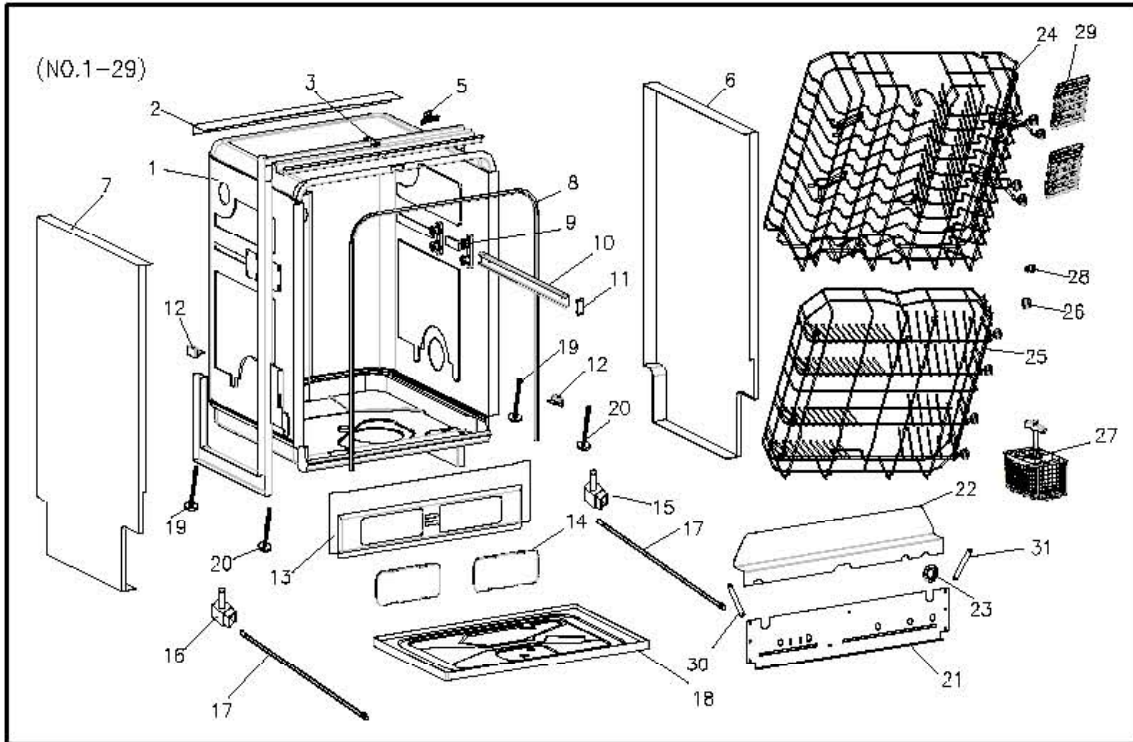
**TECHNICAL INFORMATION**



Model : Di604 (DW12-CBE4) ( PCB code: 0124000165 )

Progam	Washing time(mins)
Intensive wash	122
Normal wash	102
light wash	162
Glass wash	92
Rapid	31

Exploded View

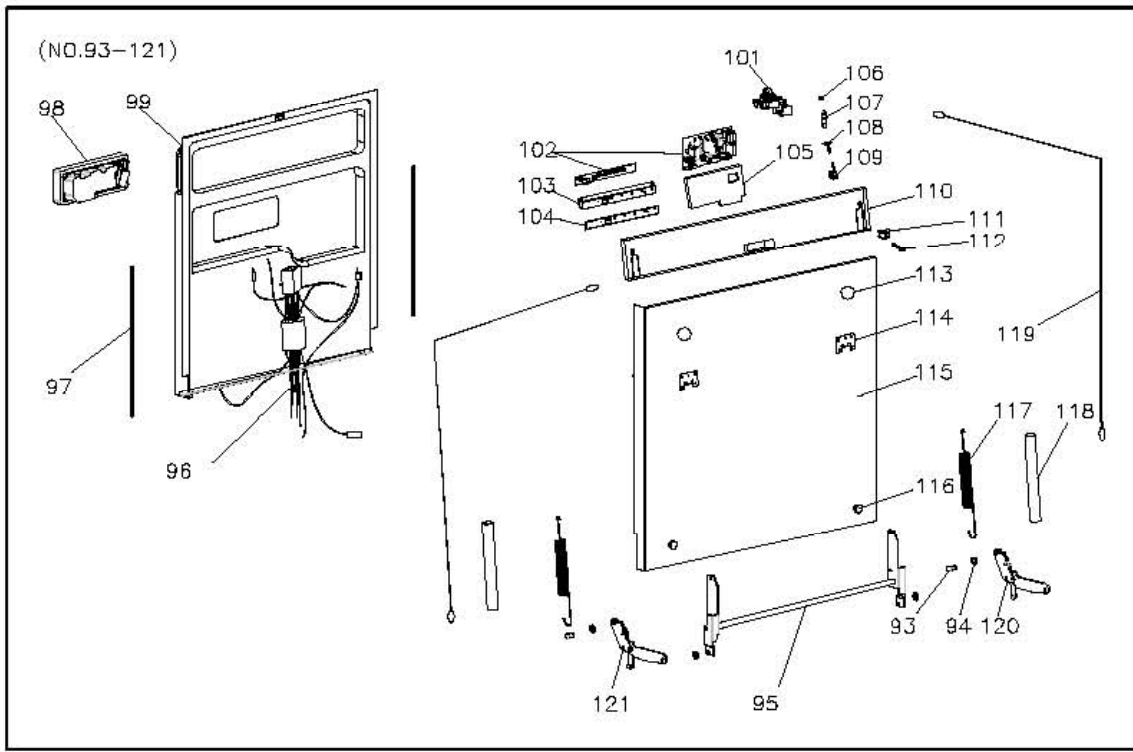




Dishwasher

Model:Di604

Exploded View





Dishwasher

Model:Di604

Parts List

NO.	Name of part	Part Specialized code	QTY.	Remark
1	Insulated tub assembly	0120806583	1	
2	Upper rear crosspiece	012G1310020	1	
3	Door hook	012G2150037	1	
5	Main screw for self threading screw 3.5	0120200057	1	
6	Painted right side pannel	0120106819	1	
7	Painted left side pannel	0120106818	1	
8	Tub gasket	0120300248	1	
9	Rail support assembly	012G9350001	4	
10	Mobile rail for basket	012G1020069	2	
11	Basket rail stop	012G2150054	4	
12	Upright small block	0120200124	2	
13	Lower front crosspiece	012G1310027	1	
14	Cover for front crosspiece	0120200065	2	
15	Right threaded tapered gear	0120800223	1	
16	Left threaded tapered gear	0120800224	1	
17	Tie rod for foot adjusting	0120100051	2	
18	Tray	0120105715	1	
19	Adjustable foot + nut	0120600009	2	
20	Adjustable screw	0120600065	2	
21	Lower rear crosspiece	0120101601	1	
22	Rear intermediate crosspiece	012G1310023	1	
23	Drain hose stop	012G2160204	1	
24	Upper basket	0120106398	1	
25	Fix lower basket	0120106686	1	
26	Wheel for upper basket	012G2150052	16	
27	Cutlery basket	0120200074	1	
28	Wheel support pin	012G2160208	16	
29	Tilter for upper basket	0120201734	2	
30	Left supporting board of Lower rear crosspiece	0120106568	1	
31	Right supporting board of Lower rear crosspiece	0120106569	1	
32	second sprayer base	0120202777A	1	
33	O-Ring gasket	012G4050157	3	
34	Cover for inner duct	0120202779A	1	
35	Diversion pipe sealing	0120300947	1	
36	Inner duct	0120202780	1	
37	Duct for second sprayer	0120202675	2	
38	Upper sprayer assembly	012G9381017	1	
39	Micro switch	012G6050040	1	
40	Float for Acquastop	0120503119	1	
41	Support for float	0120202056	1	
42	Antijamming filter with terminal	0124000162	1	
43	Power supply cable	0120400120	1	
44	Air break nozzle	012G2160197	1	
45	Breather ring nut	012G2150045	1	
46	Thermo limiter assembly	0120800379	1	
47	U-support for drain hose	012G2130193	1	
48	Drain hose	012G2140061	1	
49	Band	0120600757	1	
50	Drain pump	0124000661	1	
51	O-Ring gasket	012G4050158	1	
52	Water-level pressure switch	012G6050043	1	



Dishwasher

Model:Di604

Parts List

NO.	Name of part	Part Specialized code	QTY.	Remark
53	Pressure switch tube	012G2140067	1	
54	Complete cup assembly	012G2160191	1	
55	Cup gasket	012G4050151	1	
56	Ring nut for cup fastening	012G2150040	1	
57	Microfilter (polyesthere)	012G1040014	1	
58	Inner filter screen	0120200949	1	
59	Stainless steel extractable filter	012G1040012	1	
60	Extractable glass-filter	012G2160212	1	
61	Inner duct	0120202778A	1	
62	Motorpump assembly	012G9370094	1	
63	Vibration-proof ring for motor	012G4050159	1	
64	Motor support bracket assembly	012G9350006	1	
65	Band	012G1040028	4	
66	Rubber coupling	012G4050152	2	
67	Lower sprayer base fixing piece	012G2160193	1	
68	O-Ring gasket	012G4050153	1	
69	Ring nut for lower spayer fastening	012G2160193	1	
70	Lower sprayer base	0120200253	1	
71	Lower sprayer column	0120200252	1	
72	Lower sprayer	012G1020070	1	
73	Water intake hose ( heating element)	0120300949	1	
74	Heater assembly	0124000590	1	
75	band	0120105775	2	
76	Coupling (column / heating element)	0120300950	1	
77	Band	012G8050084	2	
78	Salt funnel	0120201753	1	
79	Softener plug assembly	012G2150043	1	
80	Softener fastening ring nut	012G2150042	1	
81	Gasket for softener body	012G4050154	1	
82	Fix softener with reed	0124000164	1	
83	Connection pipe	012G4050244	1	
84	Band	012G1040020	2	
85	Breather assembly	012G2160196	1	
86	Connection pipe(yellow)	012G4050247	1	
87	Connection pipe(red)	012G4050246	1	
88	Connection pipe(green)	012G4050245	1	
89	Water charging hose	0120800683	1	
90	1-way solenoid valve	012G5060020	1	
91	PVC velum for solenoid volve	012G2140092	1	
92	Outer duct	0120202702	1	
93	Hinge pin	012G8080007	2	
94	Elasticity retainer	0120600060	4	
95	Complete hinge assembly	0120800589	1	
96	Complete wiring group	0120804565	1	
97	Door side cover	012G2140094	2	
98	Detergent dispenser	012G9380544	1	
99	Inner door assembly	0120101404	1	
101	Switch mechanism assembly	0120800357	1	
102	PCB board	0124000165	1	
103	led card support	0120200994	1	
104	Led support protection	0120200985	1	



Dishwasher

Model:Di604

**Parts List**

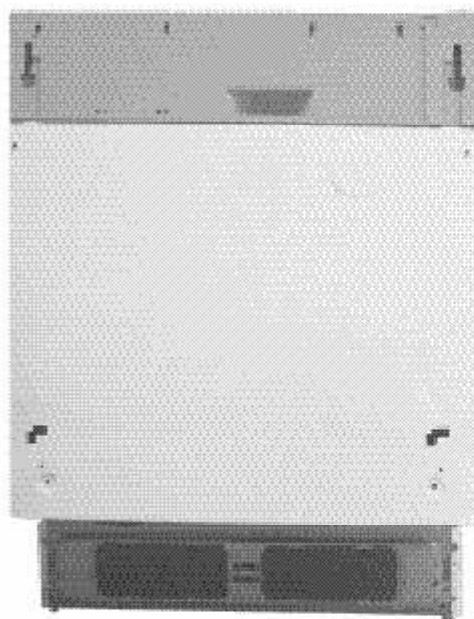
NO.	Name of part	Part Specialized code	QTY.	Remark
105	PCB board cover	0120200244	1	
106	Green spy lamp cover	0120200191	1	
107	Green spy lamp	0120800354	1	
108	ON/OFF push button	0120200226	1	
109	Power supply switch	012G9370091	1	
110	Dashboard	0120802453D	1	
111	Spring adjusting small block	0120100042	2	
112	Spring adjusting screw	0120600197	2	
113	Sealed plug	0120300304	2	
114	Block hooking bracket	0120100052	2	
115	Painted outer door	0120100043	1	
116	Rubber	0120300014	2	
117	Door spring	0120100047	2	
118	Door spring Cover	0120200048	2	
119	Spring adjusting cable	0120100053	2	
120	Left/Right hinge articulation	012G9380559	1	
121	Left/Right hinge articulation	012G9380558	1	



Domestic Dishwasher

# SERVICE MANUAL

---



## Models

Di604

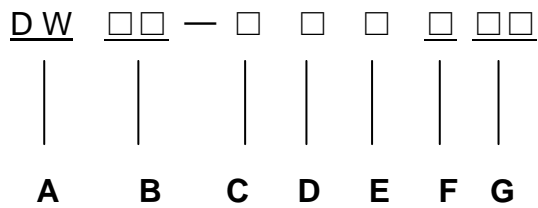
# Contents

---

- 1. Product Code Illumination and Series Introduction .....3
- 2.Features .....3
- 3.Safety Precaution .....4
- 4.Net dimension.....4
- 5. Parts and Functions.....5
- 6. Function Schedule .....8
- 7.Program Diagram.....9
- 8.Circuit Diagram .....10

# 1.Product Code Illumination and Series Introduction

## Model Identification



- A:** Abbreviation of dishwasher
- B:** Code name of Nominal capacity
- C:** Series of factory design
- D:** Freestanding/built –in/semi-built-in
- E:** Mechanical / electronic
- F:** The second series of factory design
- G:** Code name described / outer side material.

## Examples:

### DW12-CBE4

It represents automatic spraying electronic freestanding dishwasher, the cavity capacity is 12 standard sets.

## 2.Features

**2.1 Programme control, five program for select.**

**2.2 NO aquatop.**

**2.3 12 place settings .**

### 3.Safety Precaution

#### NOTICE

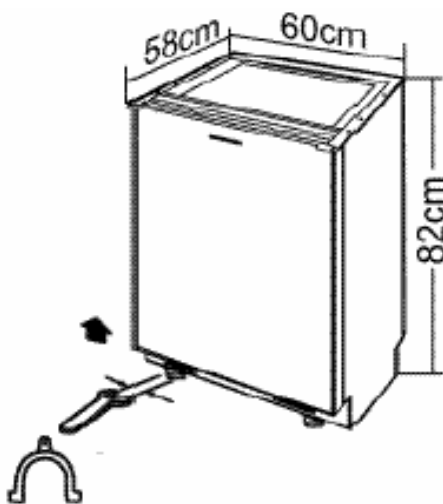
Carefully read the instructions contained in this manual, as they provide important information which is essential to safe and proper installation, use and maintenance of the appliance.

**CE** This appliance complies with the following EEC directives:

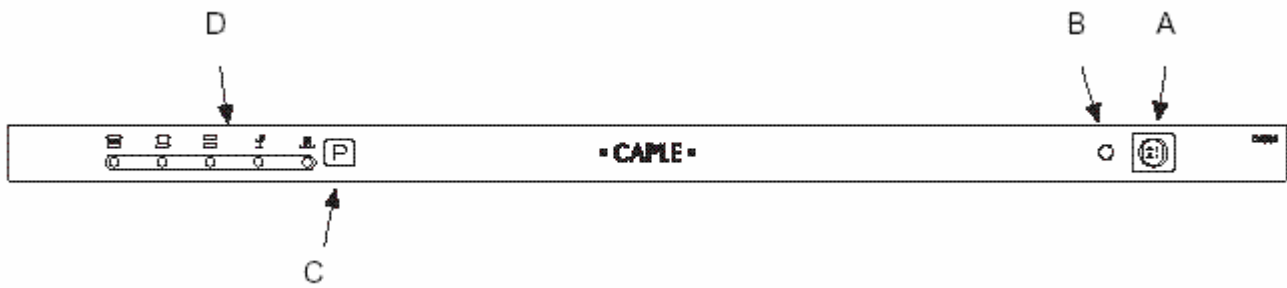
- 73/23/EEC of 19/02/73 ( Low Voltage) and subsequent modifications;
- 89/336/EEC of 03/05/89 (Electromagnetic Compatibility) and subsequent modifications.
- Carefully dispose of the packing material.
- After removing the packing, check to make sure that the appliance is not damaged. If in doubt, contact a qualified professional.
- The dishwasher must only be used by adults for the washing of household dishes and cooking utensils.
- Fundamental rules to follow when using the appliance:
  - \* Never touch the dishwasher when barefoot or with wet hands or feet;
  - \* We discourage the use of extension cords and multiple sockets;

- \* During installation, the power supply cord must not be excessively or dangerously bent or flattened;
- \* If the appliance is not operated properly or maintenance must be performed, disconnect the appliance from the power supply. Keep detergents out of the reach of children, who must also be kept away from the dishwasher when it is open.
- This appliance cannot be installed outdoors, not even if the area in which it is installed is covered by a roof; it is also very dangerous to leave it exposed to the rain and elements.
- Do not touch the heating element during or after a wash cycle.
- Do not lean or sit on the door when it is open ,as this could overturn the dishwasher.
- If the appliance malfunctions, turn off water supply to the appliance and disconnect the plug from the wall socket. Then, consult the section entitled, "Troubleshooting". If you cannot solve the problem, contact a service center.
- Only specialized personnel are authorized to make repairs.
- Appliances which are no longer being used must be made inoperable by cutting the power supply cord and removing the door lock.
- If the supply cord is damaged, it must be replaced by the manufacture, its service agent or similarly qualified persons in order to avoid a hazard.

### 4.Net dimension



## 5.Parts and Functions

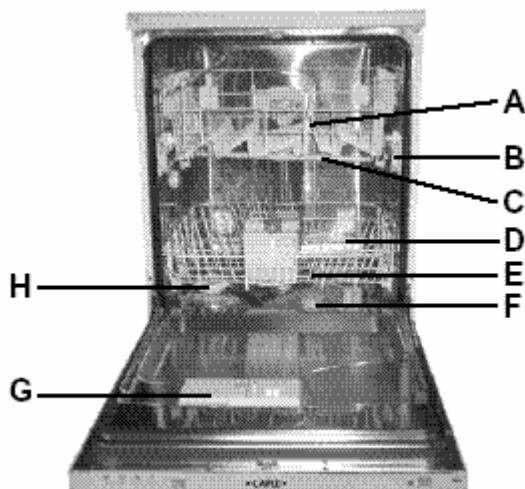


A ON-OFF Button

B ON-OFF Light

C Cycle Select Button

D Cycle Indicator Light



A Upper Rack

B Rack Height Adjustor

C Top Spray Arm

D Lower Rack

E Bottom Spray Arm

F Washing Filter

G Detergent and Rinse Aid Dispenser

H Salt Container Cap

### Technical characteristics

Width	60 cm
Depth	58 cm
Height	82 cm
Capacity	12 standard place settings
Mains water pressure	0.03-0.6MPa
Power voltage	220-240V~ 50Hz
Total absorber power	1950W

## Salt

The hardness of the water varies from place to place. If hard water is used in the dishwasher, deposits will form on the dishes and utensils.

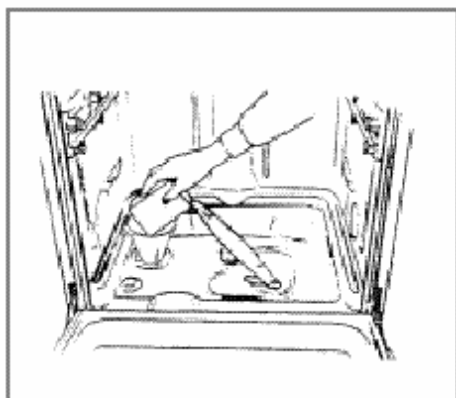
The appliance is equipped with a special softener that uses a salt specifically designed to eliminate lime and minerals from the water.

## Loading the Salt into the Softener

Always use salt intended for use with dishwashers.

The salt container is located beneath the lower rack and should be filled as follows:

- Remove the lower rack and then unscrew and remove the cap from the salt container;
- If you are filling the container for the first time, fill it with water;
- Place the end of the funnel (supplied) into the hole and introduce about 2 kg of salt. It is normal for a small amount of water to come out of the salt container.
- Carefully screw the cap back on.



The salt container should be refilled after approximately 10-12 washers

**To prevent the formation of rust, load the salt just before beginning a wash cycle.**

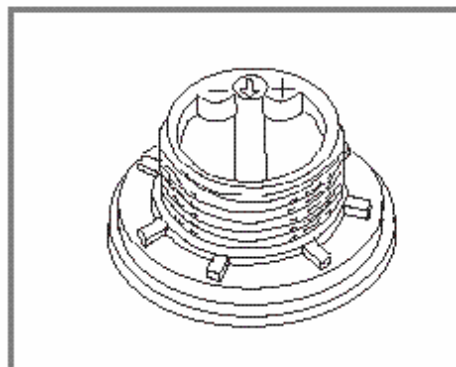
## Detergent

Detergent specifically intended for use with dishwashers must be used. The dispenser must be refilled before the start of each wash cycle following the instructions provided in the "Wash Cycle Table". The detergent dispenser is located on the inside panel the door.

## Adjusting Salt Consumption

The dishwasher is designed to allow for adjusting the amount of salt consumed based on the hardness of the water used. This is intended to optimize and customize the level of salt consumption so that it remains at a minimum.

To adjust salt consumption, proceed as follows:



- Unscrew the cap from the salt container;
- There is a ring on the container with an arrow on it (see figure to the side);
- If necessary, rotate the ring in an anti-clockwise direction from the "-" setting towards the "+" sign, based on the hardness of the water being used.

It is recommended that adjustments be made in accordance with the following schema:

Water Hardness						
Level	Clarke degrees	°dH	mmol/l	Selector position	Salt consumption (Grams/cycle)	Autonomy (cycles/2kg)
1	0 ÷ 14	0 ÷ 17	0 ÷ 1,7	/	0	/
2	14 ÷ 36	18 ÷ 44	1,8 ÷ 4,4	"-"	20	60
3	36 ÷ 71	45 ÷ 89	4,5 ÷ 8,9	MED	40	40
4	>71	>89	>8,9	"+"	60	25

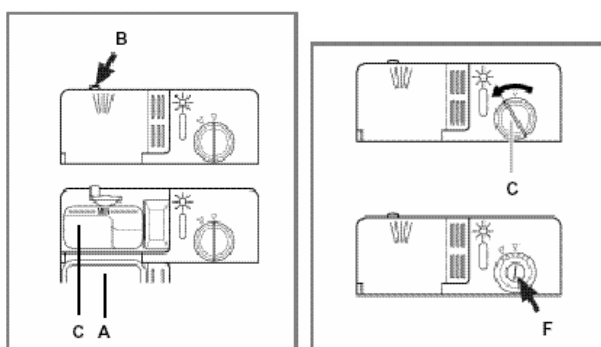
## Rinse Aid

This product makes dishes sparkle and helps them to dry without spotting. The dispenser is located on the inside panel of the door and should be filled after every 80 wash cycles.

## Loading the detergent

To open the "A" cover on the dispenser, press the "B" button. The detergent for the wash cycle should be poured into the "C" compartment.

After the detergent has been placed in the dispenser, close the cover and press down until it clicks in place.



### **Important**

*Proper dosage of the rinse aid improves drying.*

*If drops of water remain on the dishes or spotting occurs, the dosage adjustor should be turned to a higher setting.*

*If the dishes have white streaks, turn the dosage adjustor to a lower setting.*

**Notice:** *To facilitate closing the cover, remove any excess detergent on the edges of the dispenser.*

## Loading the Dishwasher

Before placing the dishes in the dishwasher, remove the larger food debris to prevent the filter from becoming clogged, which results in reduced performance.

If the pots and pans have baked-on food that is extremely hard to remove, we recommend that they be allowed to soak before they are washed. This will eliminate the need for extra wash cycles.

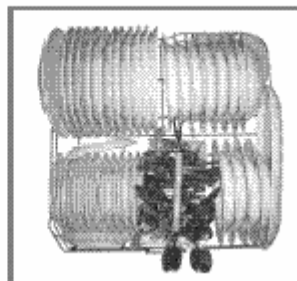
Pull out the rack to facilitate loading the dishwasher.

## Loading the Rinse Aid

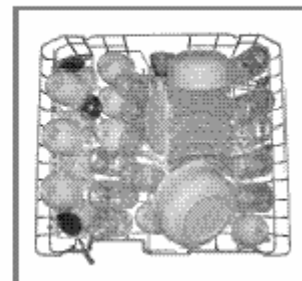
Regardless of the type of detergent dispenser installed on your appliance, you must proceed as indicated below when loading the rinse aid.

To open the dispenser, turn the "C" cap in an anti-clockwise direction and then pour in the rinse aid, making sure not to overfill. The amount of rinse aid used for each cycle can be regulated by turning the "F" dose adjustor, located beneath the "C" cap, with a screwdriver. There are 6 different settings; the normal dosage setting is 3.

**Lower Rack**



**Upper Rack**



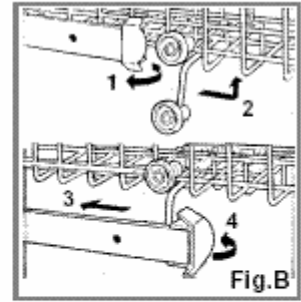
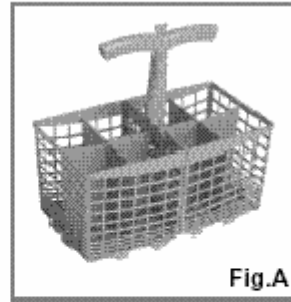
- Pots, serving bowls, etc. must always be placed face down.
- Deep pots should be slanted to allow the water to flow out.
- Cutlery should be placed in the cutlery basket with the handles at the bottom; if the rack has side baskets, the spoons should be placed individually into the appropriate slots. Especially long utensils should be placed in the horizontal position at the front of the upper rack( see Fig.A).

**How to Use the Upper Rack**

The upper rack is designed to hold more delicate and lighter dishware, such as glasses, coffee and tea cups and saucers, as well as plates, small bowls and shallow pans (as long as they are not too dirty).

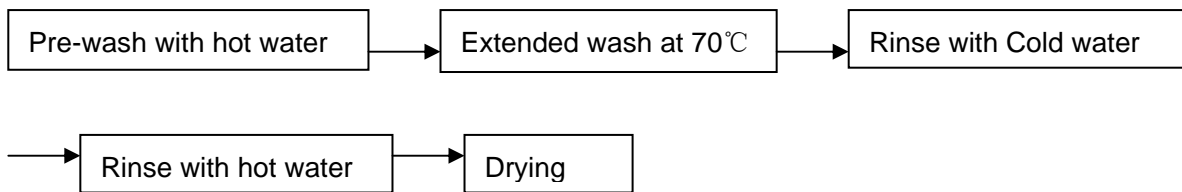
- Position the dishes and cookware so that they do not get moved by the spray of water.

The upper rack can be adjusted for height by using the knobs located on the sides of the rack itself (see fig.B).

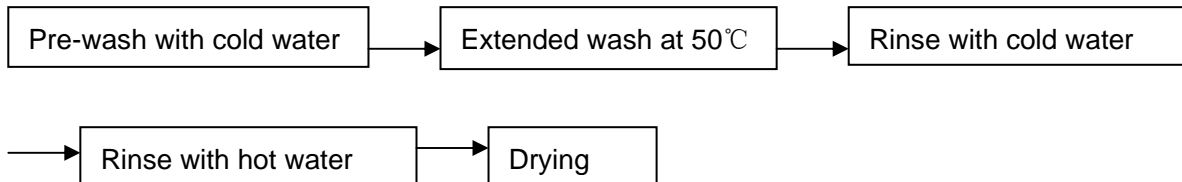


**6.Function Schedule**

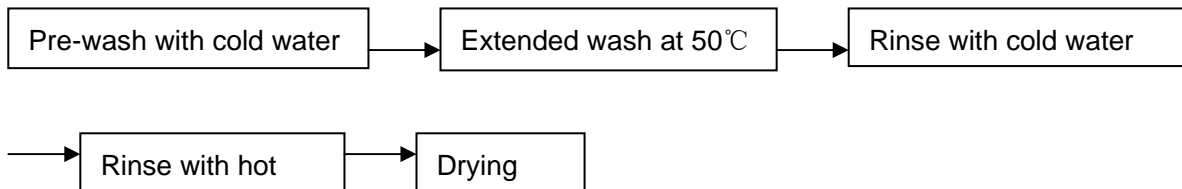
**1、 Heavy Duty**



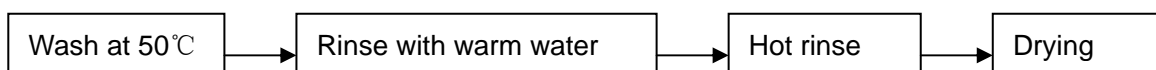
**2、 Normal wash**



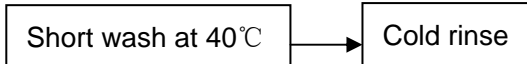
**3、 Light wash**








**4、 Glasses wash**



## 5. Rapid wash



## 7. Program Diagram

Cycle	Cycle Selection Information	Description of Cycle	Detergent	Rinse Aid
 Heavy Duty	Very dirty dishes, pots and pans. (Not to be used with delicate items)	Pre-wash with hot water. Extended wash at 70°C. Rinse with cold water. Rinse with hot water. Drying.	30g	★
 Normal Wash (EN50242)	Normally dirty dishes, pots and pans. Standard daily cycle.	The second pre-wash use cold water. Extended wash at 50°C. Rinse with cold water. Rinse with hot water. Drying.	30g	★
 Light Wash	Normally dirty dishes, pots and pans without dried on residue.	Pre-wash with cold water. Extended wash at 50°C. Rinse with cold water. Rinse with hot water. Drying.	30g	★
 Glassware	Economic, fast cycle to be used for items which are sensitive to height. Run immediately after dishes are used.	Wash at 50°C. Rinse with warm water. Hot rinse at. Drying.	15g	★
 Rapid Wash	Economic, fast cycle to be used to on not very dirty dishes right after they are used. No drying cycle.	Short wash at 40°C. Cold rinse.	15g	

# 8.Circuit Diagram

