



# DF606SS

**Caple Stainless Steel Dishwasher  
( Free Standing )**

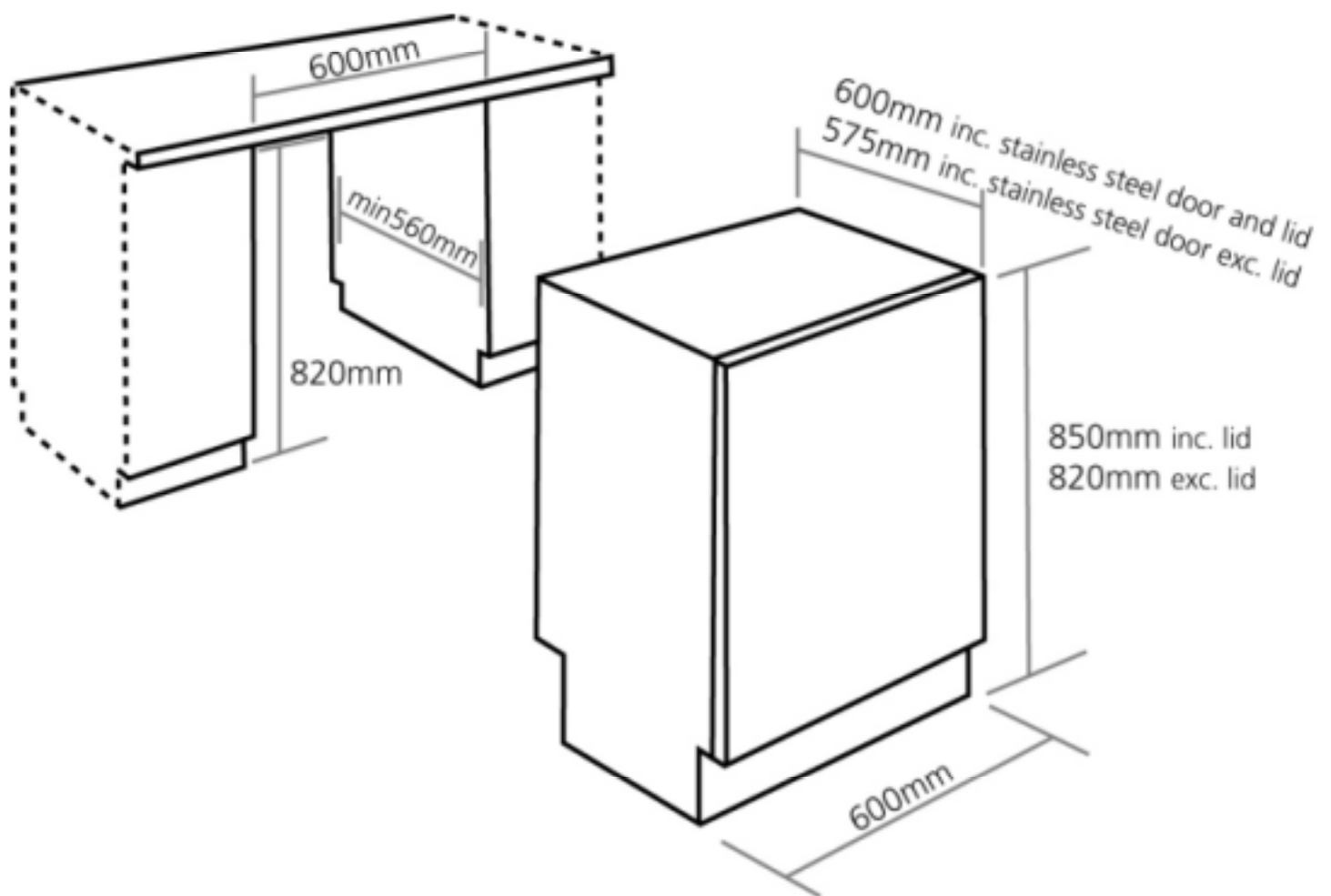


**TECHNICAL INFORMATION**



# DF606SS

**Caple Stainless Steel Dishwasher  
( Free Standing )**



# DF606SS stainless steel dishwasher

## Versatile installation

Our flagship dishwasher can be fitted to suit. Freestanding with a stainless-steel door, side panels and plinth, the DF606SS is unique in that the plinth and silver metallic top plate can be easily removed for built-in installation.

Easy on water and energy consumption, the DF606SS will keep your dishes sparkling clean, day after day. A choice of seven programmes mean there's always an appropriate wash available, and it comes complete with a top basket cutlery tray. With Aquastop flood-safe protection and extra options like half load and delay timer, the DF606SS is the ultimate clean machine.



## Stainless steel dishwasher – built-in or freestanding

DF606SS

W 600mm

### Performance

Energy class < A

Wash class < A

Drying performance < A

### 7 Programmes:

- normal 50°C
- intensive 70°C
- delicate 50°C
- rinse 65°C
- glasses 50°C
- rapid 40°C
- cold water pre-wash

Max. noise level 52dB(A)

Energy consumption 383 kwh/y

Water consumption (65°C normal prog.) 15L

Delay timer 2/4/8/10/12hr

Half load

### Features

12 Place settings

4 Spray levels

Max. plate diameter 26cm

Stainless steel door, side panels and plinth

Silver metallic top plate

Top plate and plinth are easily removed for building in

Stainless steel inner door and interior

Controls built into stainless steel door – top

Titanium grey plastic baskets

Hidden heating element

Height adjustable upper basket

Folding lower basket

Flat cutlery rack on upper basket

Salt and rinse aid refill spy lamps

Water overflow protection system

Aquastop kit

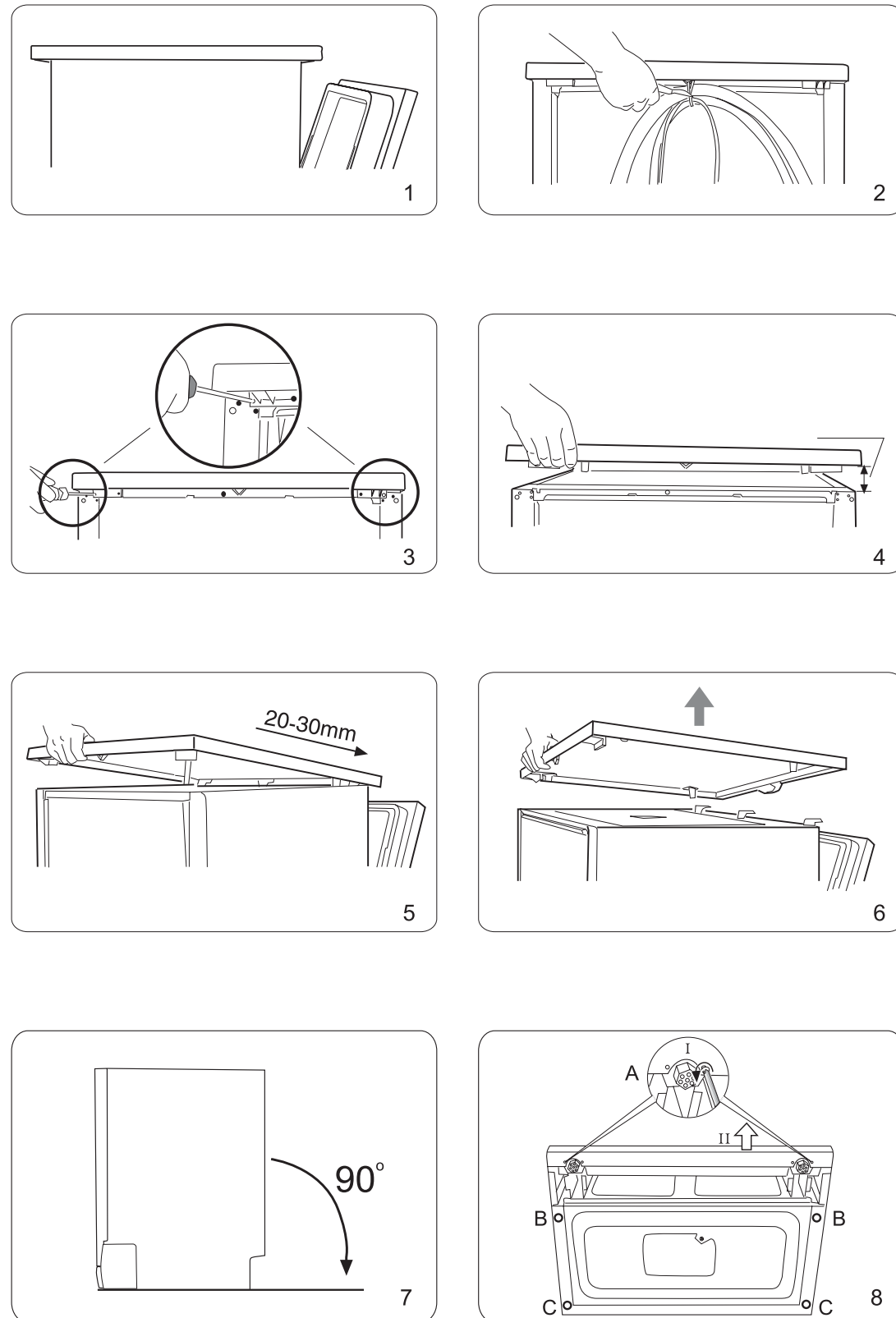
### Electrical connection

Rated load 2.15kW

Fuse rating 13A

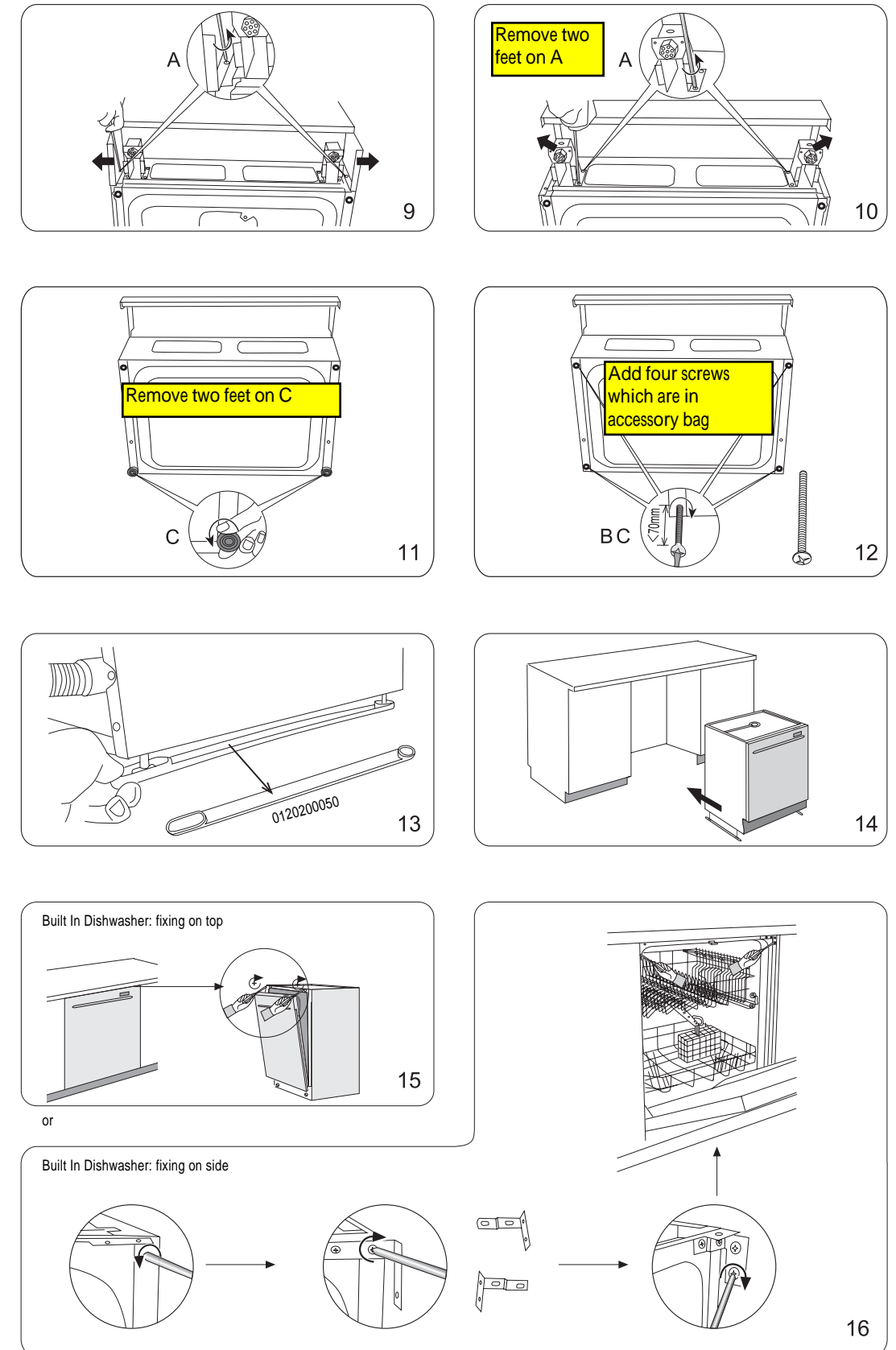
## How to remove the top of your dishwasher

Freestanding dishwasher can also be used as built-in, according to following processes:



.11.

GB

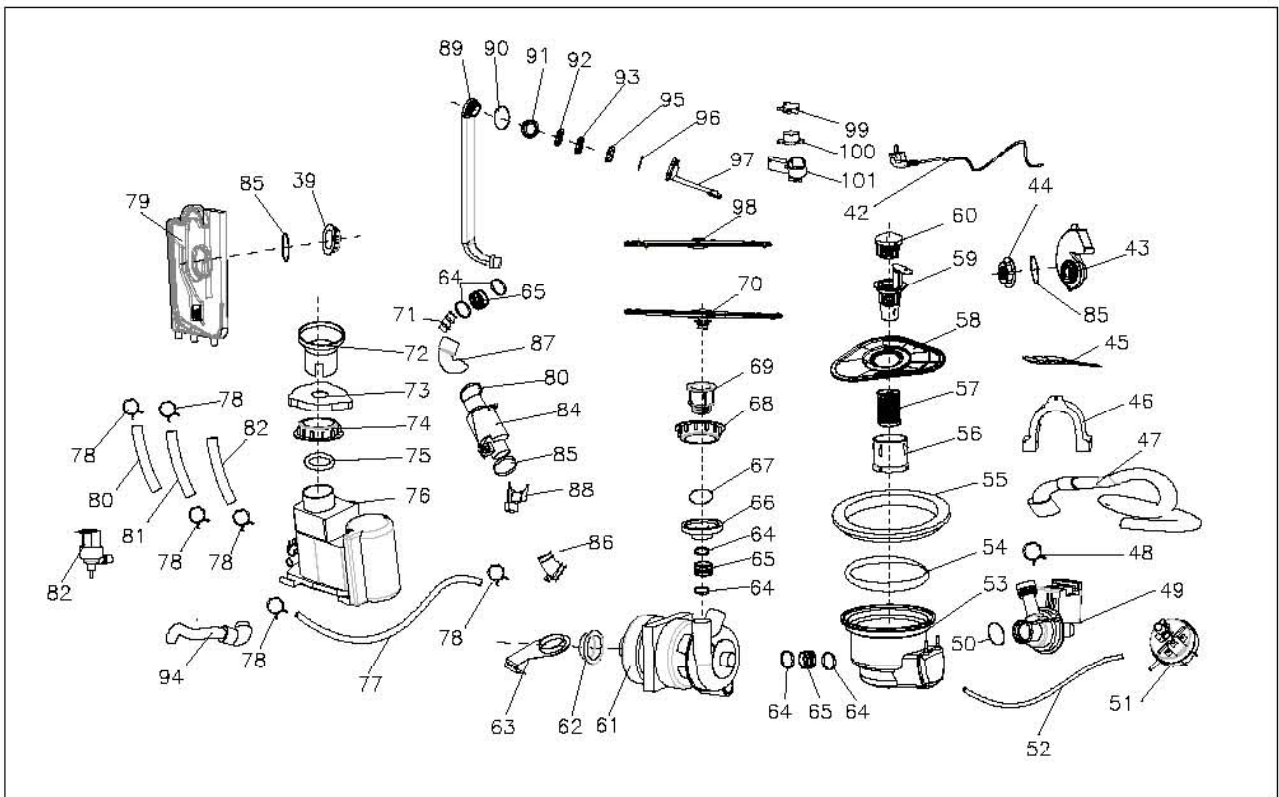
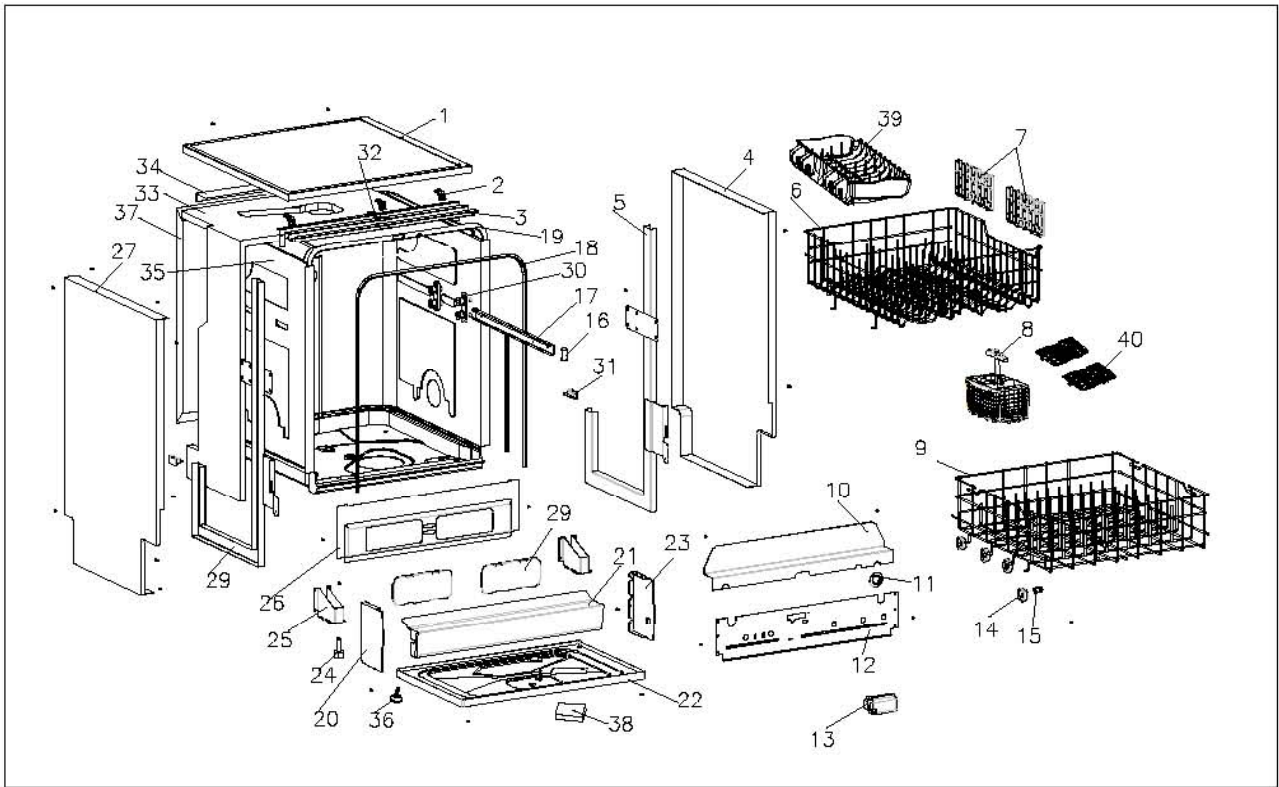


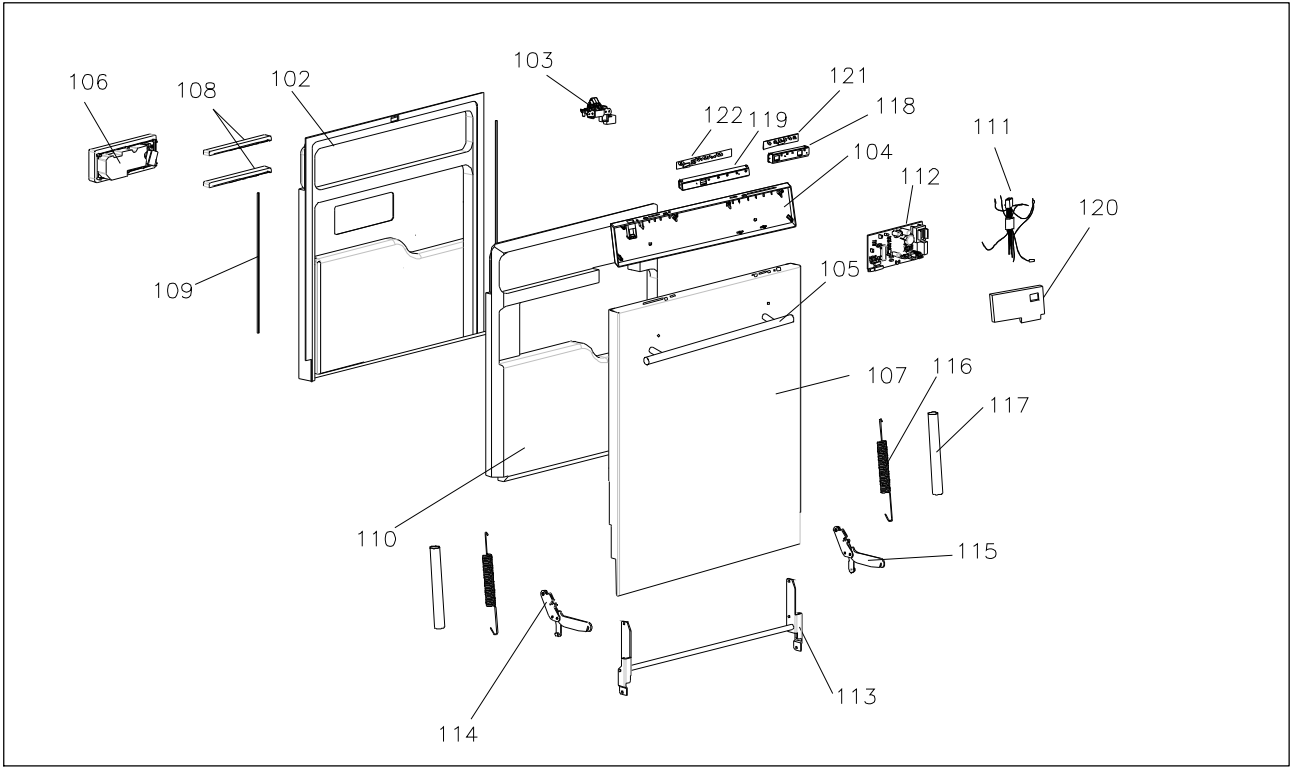
.12.

GB

# DF606SS

Caple Stainless Steel  
Free Standing Dishwasher





**Parts List**

No.	Name of part	Part specialized code	QTY.
1	Complete top	0120804900	1
2	Shelf fastening small block	0120200057	3
3	Upper front crosspiece	0120101271	1
4	Right upright assembly	0120102982	1
5	right side pannel	0120105716	1
6	Upper basket	0120106828	1
7	Tilter for upper basket	0120201235	2
8	Cutlery basket	00120801727	1
9	Lower basket	0120106619	1
10	Rear intermediate crosspieces	012G1310023	1
11	Drain hose stop	012G2160204	1
12	Lower rear crosspiece	0120106294	1
13	Terminal box assembly	0124000162	1
14	Wheel for lower basket	0120200964	8
15	Wheel support pin	0120200965	8
16	Basket rail stop	0120200967	4
17	Mobile rail for basket	012G1020069	2
18	Tub gasket	0120300248	1
19	Support frame for tub gasket	012G1020082	1
20	Right baseboard side plate	0120201391	1
21	Baseboard	0120201390	1
22	Tray	0120105715	1
23	Left baseboard side plate	0120201392	1
24	Adjustable foot	012G1451091	2
25	Front foot support	012G1451091	2
26	Lower front crosspiece	012G1310027	2
27	left side pannel	0120102981	1
28	Left upright assembly	0120105717	1
29	Cover for front crosspiece	0120200065	2
30	Rail support assembly	0120200966	4
31	Upright small block	0120200124	2
32	Hooking small block	012G2150037	1
33	Sound insulation back cover	012G4120003	1
34	Upper rear crosspiece	012G1310020	1
35	Insulated tub assembly	0120806923	1
36	Adjustable foot	012G1451092	2
37	clapboard of back	0120301117	1
38	Rubber coupling	012G4050159	1
39	knife rack	0120201260	1
40	the net of the cutlery basket	0120201261	2
42	Power supply cable	0120400120	1
43	Air break nozzle	012G2160197	1
44	Breather ring nut	0120201008	2
45	Thermo limiter assembly	012G9380541	1
46	U-support for drain hose	012G2130193	1
47	Drain hose	012G2140061	1

48	Band	0120600757	1
49	Drain pump	012G5040004	1
50	O-Ring gasket	012G4050158	1
51	Water-level pressure switch	012G6050043	1
52	Pressure switch tube	012G2140067	1
53	Complete cup assembly	012G2160191	1
54	Cup gasket	012G4050151	1
55	Ring nut for cup fastening	0120201292	1
56	Microfilter (polyesthere)	012G1040014	1
57	Inner filter screen	0120200949	1
58	Stainless steel extractable filter	012G1040012	1
59	Extractable glass-filter	0120201009	1
60	Extractable glass-filter column	0120202285	1
61	Motorpump assembly	012G9380538	1
62	Vibration-proof ring for motor	012G4050159	1
63	Motor support bracket assembly	012G9350006	1
64	Band	012G1040028	4
65	Rubber coupling	012G4050152	3
66	Lower sprayer base fixing piece	012G2160193	1
67	O-Ring gasket	012G4050153	1
68	Ring nut for lower spayer fastening	0120201006	1
69	Lower sprayer base	0120201004	1
70	Lower sprayer	012G1020070	1
71	Odditional part for Outer duct	012G9380537	1
72	Salt funnel	0120201753	1
73	Softener plug assembly	0120802037	1
74	Softener fastening ring nut	012G2150042	1
75	Gasket for softener body	012G4050154	1
76	water softener	012G9380537	1
77	Connection pipe	012G4050244	1
78	Band	012G1040030	9
79	Breather assembly	012G2160196	1
80	Connection pipe(yellow)	012G4050247	1
81	Connection pipe(red)	012G4050246	1
82	Connection pipe(green)	012G4050245	1
83	water inlet walve	012G9381036A	1
84	Hidden heating element	0124000590	1
85	Band	0120105775	2
86	Water intake hose ( heating element)	0120300949	1
87	Coupling (column / heating element)	0120300950	1
88	Support for heating element	0120202703	1
89	Outer duct	0120202702	1
90	O-Ring gasket	012G4050157	3
91	upper sprayer base	0120202777	1
92	Inner duct	0120202779	1
93	Inner duct sealing	0120202780	1
94	Water charging hose	012G2140061	1
95	Diversion pipe sealing	0120300947	1
96	Duct for upper sprayer	0120202675	2
97	Inner duct	0120202778	1

98	Upper sprayer assembly	0120801726	1
99	Micro switch	012G6050040	1
100	Float for Acquastop	0120505219	1
101	Support for float	0120202056	1
102	Inner Door assembly	0120105570	1
103	Door switch	0120800356	1
104	Dashboard	0120201255	1
105	Handle	0120103105	1
106	Detergent dispenser	0124000213	2
107	Painted outer door	0120107028	1
108	board	012G1040019	2
109	Inner Door piece	0120300865	2
110	Inner Door pitch	0120300813	2
111	Complete wiring group	0120800380A	1
112	PCB board	0124000565	1
113	Complete hinge assembly	0120800589	1
114	Right hinge articulation	012G9380558	1
115	Left hinge articulation	012G9380559	1
116	Door spring	0120104971	2
117	Door spring Cover	012G4050171	1
118	Left Cover board	0120200222	1
119	Right Cover board	0120200223	1
120	PCB board cover	0120200244	1
121	Left Control Film	0120300396	
122	Right Control Film	0120300397	1

### 3.Replacement part list with price

13	Terminal box assembly	0124000162	1
45	Thermo limiter assembly	012G9380541	1
49	Drain pump	012G5040004	1
51	Water-level pressure switch	012G6050043	1
61	Motorpump assembly	012G9380538	1
76	water softener	012G9380537	1
48	Band	0120600757	1
84	Hidden heating element	0124000590	1
85	Band	0120105775	2
87	Coupling (column / heating element)	0120300950	1
99	Micro switch	012G6050040	1
112	PCB board	0124000565	1
116	Door spring	0120104971	2
106	Detergent dispenser	0124000213	2

