

# USER INSTRUCTIONS



## FULLY INTEGRATED FROST-FREE FRIDGE-FREEZER

**Ri553FF**

### **DECLARATION OF CONFORMITY**

The manufacturer of the product/s described herein, to which this description refers, declares on its sole responsibility that the product/s meet the relevant fundamental safety, health and protection requirements of the relevant EU guidelines and that the corresponding test reports are available for examination by the relevant authorities and can be requested from the seller of the appliance, especially with regard to **CE Declaration of Conformity** issued by the manufacturer or with the manufacturer's approval.

Moreover, the manufacturer declares that the parts of the appliance described in this user manual, which come into contact with fresh food, do not contain any toxic substances.

## Contents Page

	Page number
Before use	3
Safety	4
Technical specification	6
About your appliance	7
About your appliance -functions	9
Using your appliance	11
Defrosting and ice cubes	15
Maintenance and cleaning	16
Troubleshooting	18
Installation – dimensions	21
Installation – building the appliance	22
Installation – locating the appliance	23
Reversing the door	24

### **Thank you for buying this high quality appliance!**

This handbook is designed to help you through each step of owning your new appliance, from installation to use.

Please read through this handbook carefully before you start using your appliance, as we have endeavoured to answer as many questions as possible, and provide you with as much support as possible.

If, however, you find something missing or not covered, please contact our Customer Care Centre, using the number at the back of this handbook, who will be only too happy to help you.

Our policy is one of constant development and improvement, therefore we cannot guarantee the strict accuracy of all our illustrations and specifications, changes may have been made subsequent to publishing.

## Before Using Your Appliance



— The symbol on the product or its packaging indicates that this product may not be treated as household waste. Instead it shall be handed over to the applicable collection point for the recycling of electrical and electronic equipment. By ensuring that this product is disposed of correctly, you will help prevent potential negative consequences for the environment and human health, which could be caused by inappropriate waste handling of this product. For more detailed information about recycling of this product, please contact your local council, your household waste disposal service or the retailer you bought the appliance from.

### What to do with an old appliance:

In order to prevent accidents, or small children becoming trapped inside this appliance, we recommend that you remove the door, and if required disable any locking mechanisms, once you have finished using it. Local councils or authorities will be able to recommend the best way of recycling this appliance. Please contact them for details about local recycling schemes in your area. Packaging can be recycled in the appropriate manner, but please contact local recycling centres for further information if required.

### Before installation

Check the appliance carefully for transport damage. A damaged appliance **must never** be installed. If any part of the appliance is damaged, please contact your retailer or Customer Care using the number on the back of this handbook.

This appliance is heavy. Care should be taken when moving it.

It is dangerous to attempt to alter the product specification in any way, or attempt to modify it.

Make sure that the appliance itself does not stand or rest on the power cable. Also make sure that no other heavy items rest on the power cord, and that the cable is not trapped in any way. Should the cable become damaged contact Customer Care for replacement cable and a service visit.

Do not install if the plug has become damaged, and do not plug the appliance into the power supply if the socket is damaged or loose in any way – there is a danger of fire or electric shock.

# Safety

## Before installing or using this appliance, please be aware of the following:

- This appliance operates using a **220 – 240V ~ 50Hz 0.8A** power supply.
- This appliance comes with a 3-pin plug fitted, which must be plugged into a suitable power outlet.

## When using this appliance:

- ✘ Never store hazardous, inflammable, corrosive or explosive items inside.
- ✘ Never store medicine, vaccines or chemicals inside the appliance. This is a domestic cooling appliance and cannot store items with strict temperature requirements.
- ✘ Never store gasoline products inside the appliance.
- ✘ Never place any other electrical appliances on the top of this appliance.
- ✘ Never hang from the doors of this appliance.
- ✘ Never place heavy items, unstable objects or water containers on top of this appliance.
- ✘ Never spray water onto the appliance, or store it in wet environments as this will damage the electrical components of the appliance and cause a fire hazard.
- ✘ Never attempt any repairs unless you have been advised to within this handbook, or by a qualified service engineer.
- ✘ Never store alcohol or effervescent (fizzy) drinks in the freezer compartment.
- ✘ Never remove or cut the power cord.
- ✘ Never use sharp or pointed implements to scrape ice from the inside of the appliance as you may damage the interior.
- ✘ Do not remove frozen foods from the appliance with damp or wet hands as this may lead to frost / freezer burns.
- ✘ Do not damage the refrigerant circuit.
- ✘ Frozen food should not be re-frozen if it has defrosted.
- ✘ Never allow an excess of dust or debris to collect behind the appliance near to the condenser. This can lead to a fire hazard and this area must be cleaned periodically.



Warning: This appliance must be earthed.



Always make sure a competent person installs this appliance.



The freezer compartment is rated at 4 star.



Should any of the electrical components or the cooling system become damaged – do not use this appliance until it has been serviced.



The data badge is located either:  
Inside the appliance.  
OR  
Outside the appliance at the rear.



Warning: Do not damage the refrigerant circuit when installing or cleaning.



Warning: Do not use any kind of electrical appliance in any food compartments of this appliance unless they are of the type recommended by the manufacturer.

# Safety

## Other safety considerations

Always switch off and unplug the appliance when you are:  
Cleaning the inside of the appliance.

Changing light bulbs.

Always make sure that children do not play on the appliance, hang off the door or sit on the drawers.

This appliance is designed for domestic cooling and freezing only.

After the appliance has been installed please leave it to stand for two hours to allow the refrigerant to settle before you switch it on. Then allow time for the appliance to cool down before beginning to load with food. The red over temperature light is a good indicator of when the appliance is cool (-5°C) but try to leave it as long as possible after this indicator light has gone out.

## Child safety

Do not allow children to tamper or play with the appliance. Keep all packaging materials away from children as there is a risk of choking, or suffocation.

## Warning: This appliance contains isobutene.

The refrigerant isobutene (R600a) is contained within this appliance. It is a natural gas with a high level of environmental compatibility – which is nevertheless flammable.

Keep all ventilation openings clear of obstruction, and allow proper clearances around the appliance – especially at the rear of the appliance.

Failure to follow the instructions inside this handbook may lead to any warranty becoming invalidated. The manufacturer is not responsible for any damage caused to the appliance through failure to follow the instructions provided.

*Please read these instructions carefully before using this appliance. Keep them in a safe place and remember to pass them on should you sell this appliance.*



Warning: Do not use any mechanical devices to speed defrosting of this appliance unless they are a type recommended by the manufacturer.



WARNING: Refrigerant can cause serious eye injuries if it leaks take care when cleaning or installing not to pierce or puncture the pipes.



In the event of a power cut, food should remain safely cold for 10 hours.



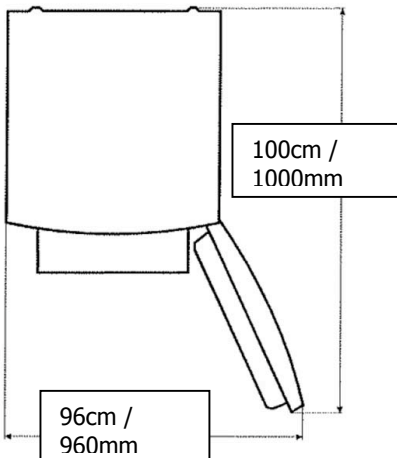
Always make sure that the plug is accessible after installation.

## Technical Specification

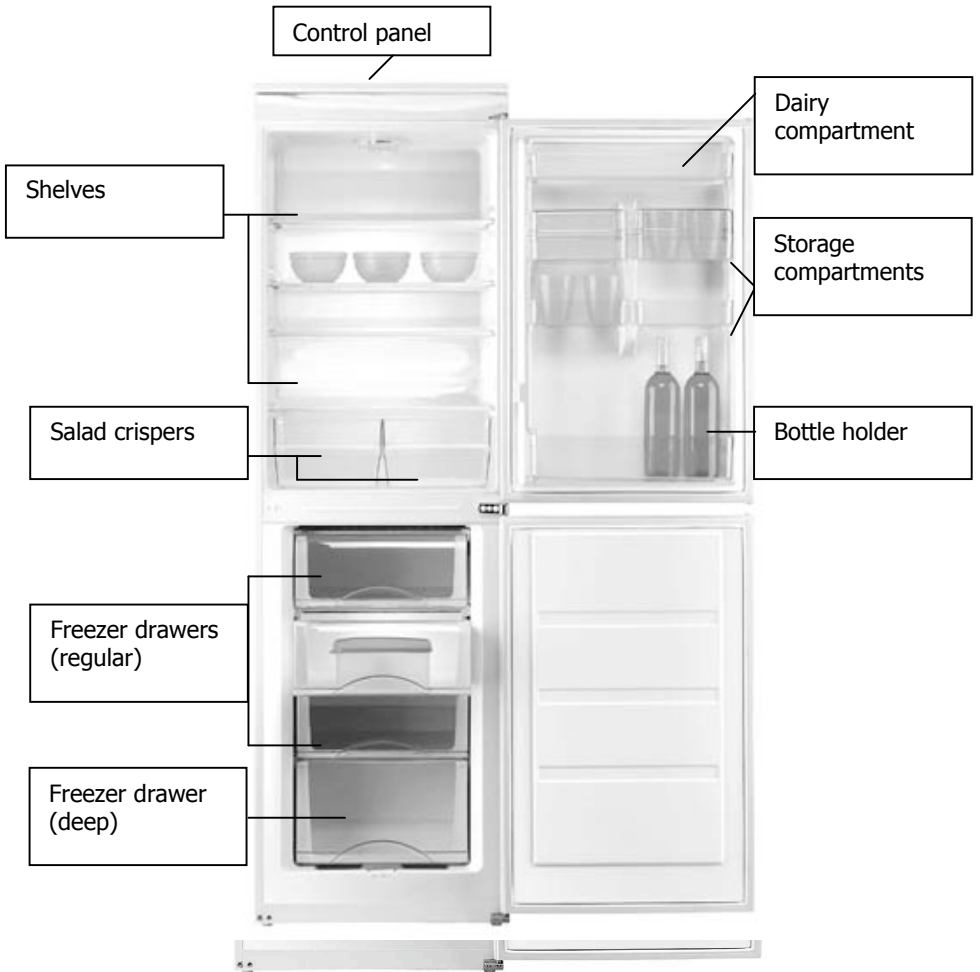
<b>Model name</b>	<b>Ri553FF</b>
Gross capacity (litres)	Frozen food 100 Fresh food 162
Net capacity (litres)	Frozen food 91 Fresh food 158
Width (mm)	544
Height (mm)	1773
Depth (mm)	544
Energy consumption	
KWh / day	1.01kWh / 24hrs
KWh / year	334kWh / yr
Energy rating	A
Star rating (freezer)	****
Rated current (Amps)	0.8
Power supply	220 - 240V ~ 50Hz
Climate class	N
Weight	70kg

Climate Class	Ambient temperature
SN	+10 to +32°C
N	+16 to +32°C
ST	+18 to +38°C

### Minimum clearance – door opening.



## About Your Appliance



# About Your Appliance

## Refrigerator Compartment

### Shelves

Used for storing fresh foods, or foods which are being defrosted before use. In order to avoid cross contamination, keep uncooked meat away from other foods by storing them towards the bottom of the appliance so meat juices do not drip onto other foods. Do not store cooked food and uncooked food on the same shelf.

### Crisper

Used for storing fresh salad vegetables, and keeping them fresh and crisp. It can also be used to store all kinds of other vegetables and fruits.

*Tip: Regularly rinse out these crispers to avoid smells.*

### Dairy compartment

Used for storing butter, eggs and other dairy products away from other foods which may have strong smells. This prevents delicate foods taking on the taste of stronger foods.

### Can / small jars / small bottle holder

Used for storing cans of drink, or open food packages. Keeps items upright and prevents spillage.

### Bottle holder

Used for storing larger bottles of drink. Keeps them upright and accessible without taking up space within the refrigeration compartment.

## Freezer Compartment

### Freezer drawers

Used for storing foods such as ice cream, frozen meats and vegetables, ready meals and other frozen foods.

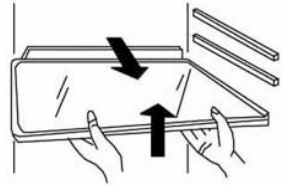
### Freezer drawers (deep)

Used for storing larger, or bulky items (i.e. whole meat joints).

*All drawers can be used to freeze fresh foods.*



When freezing fresh foods:  
Always allow them to cool down to room temperature before storing in the freezer.



To remove the shelves from the appliance, open the door fully (at least 90°) tilt up at the front and pull towards you.

Shelves can be adjusted using the grooves inside the fridge as guides to suit whatever requirements you have.

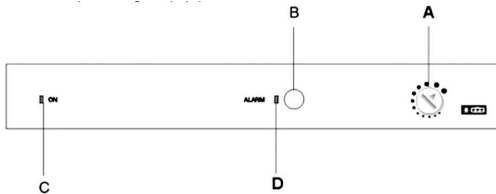


The refrigeration compartment is designed for the short-term storage of fresh foods.

## About Your Appliance - Functions

### The Control Panel

When the refrigerator is connected to the power supply the green light (E) and the red over temperature warning light (G) illuminate.



- A. Temperature thermostat adjuster
- B. Alarm stop button
- C. Power indicator (green)
- D. Over temperature indicator (red)

### The power indicator

Once there is power to the appliance (C) illuminates.

### Over temperature warning and alarm sound

Should the temperature inside the appliance rise above  $-5^{\circ}\text{C}$  an alarm sounds and warning indicator (G) illuminates.

The temperature warning may sound for something simple to remedy such as the door being left open. Or it may signal a more serious fault giving you time to preserve food accordingly avoiding spoiling.

Once the indicator light goes off, then temperature inside the appliance is below  $-5^{\circ}\text{C}$ . To switch off the audio alarm, press button (C).

**NOTE:** When the appliance is first switched on the indicator light (G) will be illuminated – this is NOT a fault. The indicator light should go out once  $-5^{\circ}\text{C}$  is achieved.

## About Your Appliance - Functions

### Error alerts

This appliance is fitted with temperature sensors.

Should there be a persistent problem with the temperature sensors, a red indicator light will illuminate and you should call for a service engineers visit using the Customer Care Centre number on the back of this handbook.

The appliance is controlled by a thermostat control situated on the control panel.

### Temperature selection

Higher settings on the thermostat mean lower (colder) temperatures inside the appliance. Depending on ambient temperatures, and thermostat setting – the temperature inside the appliance can drop below 0. It is recommended that when the ambient temperature is normal you set the thermostat to a medium setting. Use the highest setting only when required or recommended.

Ambient temperature changes outside the appliance affect the interior temperatures of the appliance, when required; you may need to adjust the thermostat accordingly.



When the thermostat is in the 'off' position (turned towards the lower (warmer) setting), the appliance is switched off. To switch it on, turn the thermostat towards the high setting.

Even when the appliance is set to 'off' you will find that the electricity supply is uninterrupted (the light will work etc.) unless the appliance is unplugged or switched off at the wall.

## Using Your Appliance

**Note:** Temperatures within the appliance can be affected by how often, and how long the door is opened for. Always try to keep the length of time the door is open to a minimum and try not to open the door too frequently. Always make sure that the door is properly closed after use.



Warning: Do not damage the refrigerant circuit when installing or cleaning.



Warning: Do not use any kind of electrical appliance in food compartments unless they are of the type recommended by the manufacturer.



Warning: Do not use any mechanical devices to speed up defrosting this appliance unless they are a type recommended by the manufacturer.

# Using Your Appliance

## Using your appliance

### Storing fresh foods

Packaging fresh foods properly, using the correct temperature and taking into account food hygiene will enhance the quality of fresh foods stored within this appliance.

Use plastic bags, aluminium foil or other food wraps to cover fresh foods not in packaging to prevent flavour transfer and prevent contamination.

Make sure that foods which have been cooked and require chilling are at room temperature before placing them into the appliance. Make sure that these foods are stored in suitable containers.

Before storing items in multi packs (i.e. yoghurts) remove any excess packaging.

Make sure that foodstuffs are stored systematically (raw meats with raw meats, dairy with dairy) to avoid flavour transfer and cross contamination. Raw meats should be stored towards the bottom of the appliance to prevent the possibility of it dripping onto uncooked food – this is unsafe to health. Other foods should be stored above raw meat.



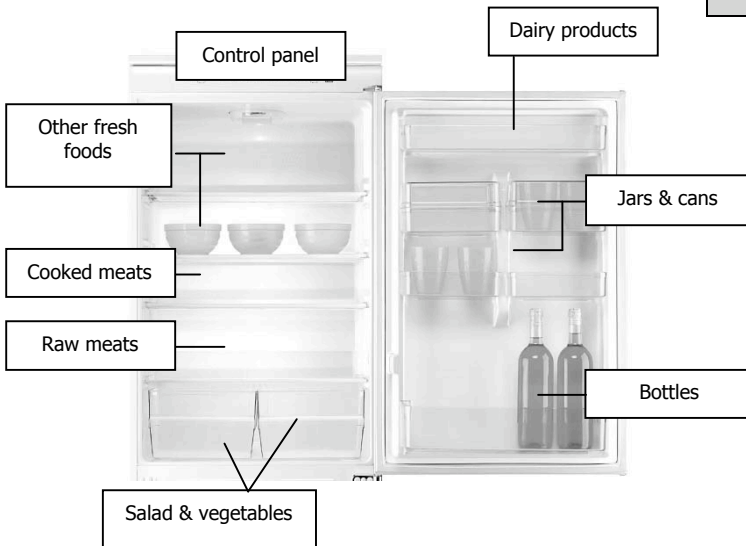
If the appliance has just been installed – please leave it for a few hours before storing food inside. The red over temperature light goes out at  $-5^{\circ}\text{C}$  and this is a good indicator of cold temperatures inside the appliance.



Colder temperatures are found towards the bottom of the refrigerator.



Always make sure that you follow manufacturers guidelines on food packaging when storing it inside this appliance.



## Using Your Appliance

Never store anything flammable, volatile or explosive inside the appliance.

Beverages with high alcohol content should be stored vertically in tightly sealed bottles.

Foods should not touch the rear wall of the appliance.

Delicate foods should be stored in the coolest part of the appliance.

Try not to open the door too often.

Set the thermostat to make sure that foods remain suitably cold, try to avoid freezing within the fridge. Using a refrigerator thermometer will help you to judge how cool the appliance is.

Some foods contain natural oils and acids (e.g. citric acid) which can damage plastics if spilled – make sure these foods are suitably contained.

Unpleasant odours inside the fridge are a sign that something has spilled and cleaning is required. Using warm water with bicarbonate of soda will clean the interior of the appliance and remove most spillages. (See cleaning your appliance).

Always remember to remove perishable foods from this appliance before taking prolonged trips or holidays.

### Freezing fresh foods

As with storing fresh foods, suitable packaging, correct temperature and food hygiene will enhance the quality of the food you are freezing.

Make sure that all foods for freezing are of a high quality, and suitable for freezing.

Use suitable packaging (plastic bags etc.) to store food in, and make sure that it is air tight or well sealed. Leaking packaging will dehydrate the products and lead to loss of beneficial vitamins.

Mark packages with the kind of food contained and the date of storage.

Food needs to be frozen quickly, so it is best to freeze small portions whenever possible and ensure that they are as cold as possible before storage.

Keep food which is fresh away from food which is already frozen, if you need to freeze fresh food every day, make sure that it is in small portions to prevent this.

Do not exceed the maximum load for freezing – (6kg / 24H).

## Using Your Appliance

### Storing frozen foods

When storing commercially frozen foods, please follow these guidelines.

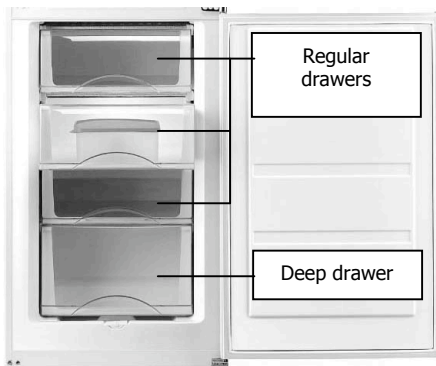
Always follow manufacturers guidelines for the length of time you should store food for. Do not exceed these guidelines!

Try to keep the length of time between purchase and storage as short as possible to preserve food quality.

Buy frozen foods which have been stored at a suitable temperature.

Do not buy food which have ice or frost on the packaging – this indicates that the products might have been partially defrosted and re-frozen at some point – temperature rises affect the quality of food.

When consuming ice cream or water ices allow them to warm a little first to prevent freezer burns on hands or tongue.



## Defrosting food and Ice cubes

### Defrosting food for cooking

Should food become partially thawed, or defrosted it should be consumed as soon as possible as the quality will be affected by defrosting.

Always make sure that foods dishes are thoroughly defrosted before cooking and no ice crystals remain. This is especially important for poultry, as this can be extremely harmful to health.

Always follow the defrosting instructions on packaging when defrosting ready meals – manufacturers guidelines are always best, as some frozen foods should be cooked from frozen.

### Making ice cubes

Fill the ice cube tray two thirds full with cold water. Place the tray into the freezer compartment, ensuring that it is stable and won't spill.

Time for freezing depends on how cold the freezer compartment is, the temperature outside the appliance and how often the compartment door is opened, you will usually find that it takes between 2 and 6 hours at least.

With smaller freezer compartments, we recommend that you make a supply of ice and store it inside a suitable container for later use.

To remove ice cube from the tray, turn the tray upside down over a storage box, pour a little water over the ice and twist the tray slightly – allowing the ice to drop from the tray into the storage box.

## Maintenance And Cleaning

### Automatic defrosting

There is no need to defrost manually as this appliance is Frost Free.

### In the event of a power cut

Should there be a prolonged power cut you may need to remove food from the freezer compartment and store it in a cold place, wrapped in layers of newspaper to preserve suitable temperatures. Once power is restored – replace the food back into the freezer compartment.

Should food begin to defrost, or the power cut last longer than expected, it is advised that you consume any food removed from the freezer.

If the power outage is short term, most foods can be left inside the freezer compartment – this is the best way of preserving temperature.



In the event of a power cut, food should remain safely cold for 10 hours.



Take care when cleaning not to damage the lining of the appliance, or any of the piping.

### Cleaning the inside of your appliance

Always disconnect the electricity supply before you start cleaning.

Empty the appliance of food and remove the shelves.

The interior can be cleaned using warm water and bicarbonate of soda, with a soft cloth. Make sure that the interior is then dried carefully with a suitable cloth.

Do not use harsh abrasives, or aggressive cleaners as these can damage the interior of the appliance.

Shelves and other accessories (plastic and glass parts) can be cleaned in the sink using liquid dish washing liquid and warm water. Make sure all soap is rinsed off and all parts are dry before replacing them inside the appliance.

Do wash plastic parts in a dishwasher.

Clean the exterior of the appliance with a soft cloth and an alcohol based cleaner. Do not use abrasive cleaners on the exterior of the appliance.

The condenser at the rear of the appliance should be cleaned periodically using a soft bristled brush or the brush attachment of a vacuum cleaner.

The drain pan at should also be wiped out using a dish cloth, but do not remove this part.

Once cleaning is completed, reconnect the electricity supply and replace the food.

## Maintenance And Cleaning

### When not is use. . .

If you are not using the appliance for an extended length of time, it is recommended that you switch off the electrical supply, empty any food out, clean the inside of the appliance and leave the door open. This will save energy, and also prevent a build up of stale odours inside.

### Changing the plug

This appliance comes fitted with a 13amp plug fitted. Should you need to replace the fuse, a 13amp ASTA approved (BS 1362) must be used. Should the plug itself need to be replaced, the wires in the mains lead are coloured in accordance with the following code:

Green and yellow = Earth

Blue = Neutral

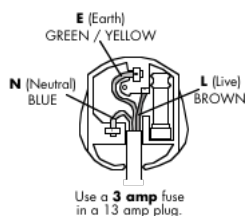
Brown = Live

The wire coloured green and yellow must be connected to terminal marked with the letter E, coloured green and yellow or marked with the earth symbol:

The wire coloured blue must be connected to the terminal marked with the letter N.

The wire coloured brown must be connected to the terminal marked with the letter L.

Upon completion, there must be no cut or stray wire present and the cord clamp must be secure over the outer sheath.



### Changing the light bulb

Before replacing the light bulb, disconnect the appliance from the electricity supply.

240V~ 15W Lamp

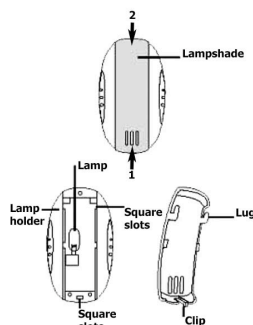
Lamp holder; E14 (lamps exceeding 15W must not be used.)

To remove the lamp cover, depress the clip at the rear, hold both sides of the lamp cover and push ensuring that the lugs are freed from the square slots on the lamp holder.

Turn the lamp anti-clockwise to remove, and turn clockwise to install.

When replacing the lampshade ensure all the lugs are firmly back in the slots.

Bulbs are not covered by any warranty, but can be purchased at your local hardware store. Remember to take the old bulb with you if you are unsure of what kind of bulb to buy.



## Troubleshooting

### **The appliance fails to work when first connected to the electricity supply.**

Check there are no faults with the socket you are using by plugging in an appliance you know to be working.  
Make sure that you have switched the thermostat to an 'on' position.

### **The appliance seems to be continually running.**

The door has been opened frequently.  
The door isn't properly closed because the seal needs cleaning, or is damaged.  
The door is damaged – leading to it dropping out of correct alignment with the appliance.  
The appliance has recently been filled with more food than usual.  
Ventilation is compromised – the condenser or the compressor require clearing from dust.  
There is inadequate ventilation around the appliance – other appliances or units are too close.  
The 'Quick Freeze' function has been switched on.

### **Ice has formed on the rear wall of the appliance, or it is leaking water**

If the outlet to the drain pan is clear, then automatic defrosting will take care of this.  
If the outlet is not clear, you need to clean it out with a plastic straw, water should then be able to flow to the drain pan and evaporate.

Ice is caused by the following:

The door seal needs cleaning / replacing as it is not holding the door closed.  
The door has been opened frequently or left open.  
Food stored with the fridge was too warm.  
Something inside the fridge is touching the rear wall.

## Troubleshooting

### **The appliance does not work**

Check if the appliance has become unplugged.

Check to see if the power cord has become damaged – if it has, un-plug the appliance and call for a service engineer visit.

The voltage may not be correct for this appliance.

### **The appliance is making noises**

The appliance is cooled by the compressor, which will make a certain amount of noise when the appliance is switched on.

The amount of noise depends on the age of the appliance (older appliances may become noisier), the positioning of the appliance (a levelled appliance is less noisy) and how the appliance is used.

During use, you may hear the sound of the refrigerant being circulated, and the sound of it flowing when the compressor is off. The sound of the compressor itself, which is a humming sound and a click when the compressor switches off and on.

When you are starting the appliance for the first time, or have had the appliance switched off for a prolonged length of time, the sounds described above may be louder.

If noises seem to be too loud, or a little unusual it is more than likely because the appliance requires levelling, or it is touching an adjacent unit.

### **The light does not work**

Check that the power supply has not been interrupted (i.e. the plug has been disconnected).

The bulb may need replacing.

## Troubleshooting

### **The appliance does not seem to be keeping to the set temperature.**

Check that the thermostat is correctly set.

The door has not been closed properly, or has been opened and closed frequently.

The appliance may be in direct sunlight or too close to a heat source.

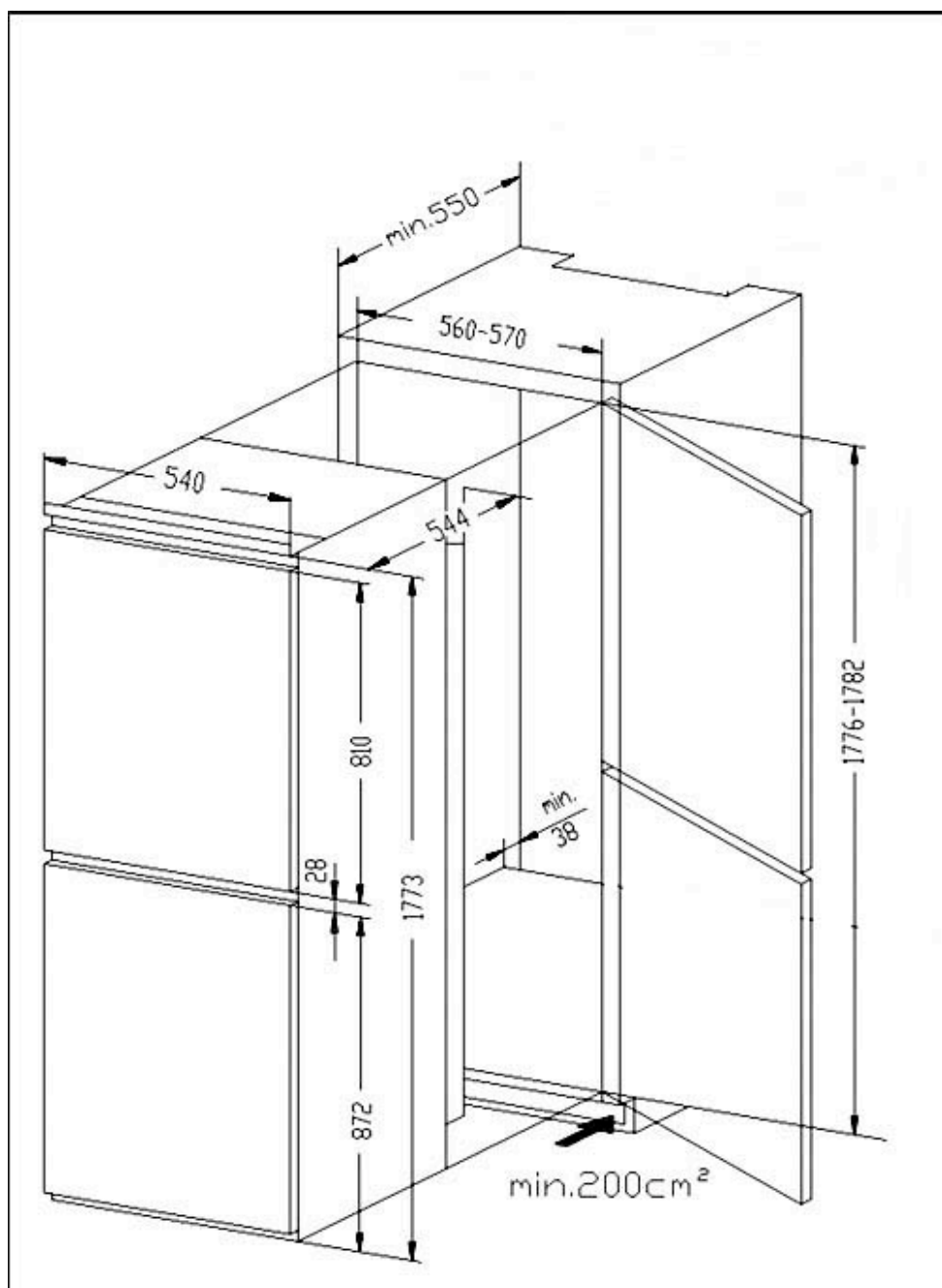
### **Bad odours inside the appliance**

Food containers may not be sealed correctly.

The appliance may require cleaning.

There is food inside which had spoiled.

## Installation - Dimension



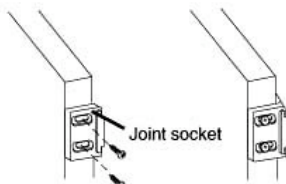
## Building In The Appliance

### Before you start

Make sure that the kitchen unit door, and the appliance door open in the same direction. If they do not, use the instructions for reversing the doors in this handbook first.

*The example given here is for a right hand opening door. The decorative panels should be two separate doors for fridge and freezer,*

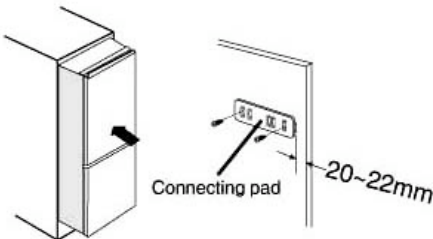
Fix the joint sockets to the freezer and refrigerator doors with the screws provided (figure 1)



(Figure 1)

Move the appliance into the kitchen unit, ensuring that the left side panel of the appliance is as close to the wall as possible.

Insert the connecting pad into the joint socket, and then fit the connecting pad on the door of the kitchen unit with a margin of 20 – 22mm (figure 3)



(Figure 2)

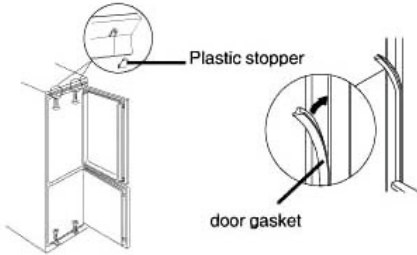
(Figure 3)

Properly place the appliance with a 3 – 4mm space between the left side of the wall, make sure that the doors of the appliance easily open and close, and that the connecting pad is settled correctly in the joint socket.

## Building In The Appliance

Fix the upper and lower stiffeners to the upper connection and the base panel. The screw holes can be filled using the plastic stoppers. (figure 4)

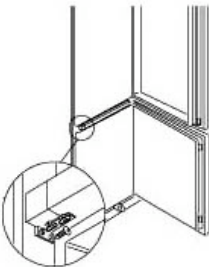
Fill the left gap of the kitchen unit with the gasket (figure 5).



( Figure 4 )

( Figure 5 )

Remove the screws and the hole stoppers on the left of the middle connection and fix the connecting pivot to the refrigerator with one end in the hole which was plugged by the stopper and the other end to the inside wall of the kitchen unit (figure 6).



( Figure 6 )

**Note:** The decorative panel is firmly fixed to the door using the kit supplied and should not slide off. The connecting pads are used to prevent this happening.

**Note:** The decorative panels cannot be adjusted once fitted unless they are removed and re-fitted.

## Locating The Appliance

This appliance should be located on a flat and solid floor.

If you are placing it onto a plinth make sure that the material is flat, strong and fire resistant.

If the surface you are placing the appliance on is not level, the feet can be adjusted to raise or level the appliance to level it out.

The appliance should not be fitted anywhere that is near to a heat source, or in direct sunlight, nor should it be installed where the ambient temperature is below zero, or outside (i.e. sheds, garages or outhouses).

Never place the appliance near to a water source, should the appliance be splashed with water inadvertently please use a soft cloth to dry it off.

The area around the appliance should be well ventilated with a clearance of 6cm around on all sides.

## Reversing the Door

The appliance door can be reversed if required to suit installation. Please use these instructions to reverse the door.

These instructions assume that the door hinges are on the right hand side of the appliance.

1. Open the fridge door.
2. Remove the protective plastic covers, which are either side of the control panel at the top of the appliance.
3. Unscrew the fridge door hinge plate at the top right hand side of the appliance. Take care to support the fridge door fully as it can drop suddenly.
4. Lift the door carefully off the centre hinge pin, and store safely.
5. Remove the centre hinge screw covers and retain for later use.
6. Remove the infill plugs from the centre left hand side of the appliance – taking care not to damage the paintwork of the appliance.
7. Remove the centre hinge from the right hand side of the appliance – making sure the freezer door is supported, it may drop suddenly. Store the door in a safe place.
8. The centre hinge pin slides easily out of the hinge. Reverse the hinge plate by turning it 90° so it can be used on the opposite side of the appliance. Re-insert the hinge pin so the spacer rests on the top of the hinge.
9. Refit the hinge on the left hand side of the appliance, refit the screw covers and fit the infill plugs into the holes on the right hand side of the appliance.
10. Remove the bottom hinge from the right hand side of the appliance, and refit to the left hand side (bottom). The hinge pin needs to be reversed – use a 5mm socket to do this – so that it is suitable for use.

## Reversing the Door

### Freezer door - refitting

1. The freezer door should then be fitted onto the hinge pin. There is a hole in the door edge for this.
2. The centre hinge pin slides up to allow the freezer door to be fitted. Slide the pin into the hole on the top edge of the freezer door.

### Fridge door - refitting

1. Use a 5mm socket to remove the hinge pin from the top right hand side hinge plate, and then fit this to the left hand top hinge plate (supplied separately in the fixing kit with this appliance.)
2. The fridge door should then be lifted onto the centre hinge pin and held in place while the top hinge is fitted to the left hand side of the appliance
3. The hinge pin in the top left hinge plate fits into the hole at the top edge of the door.

Refit the plastic protective covers either side of the control panel.