



RI551

Caple 50/50 Integrated Fridge/Freezer

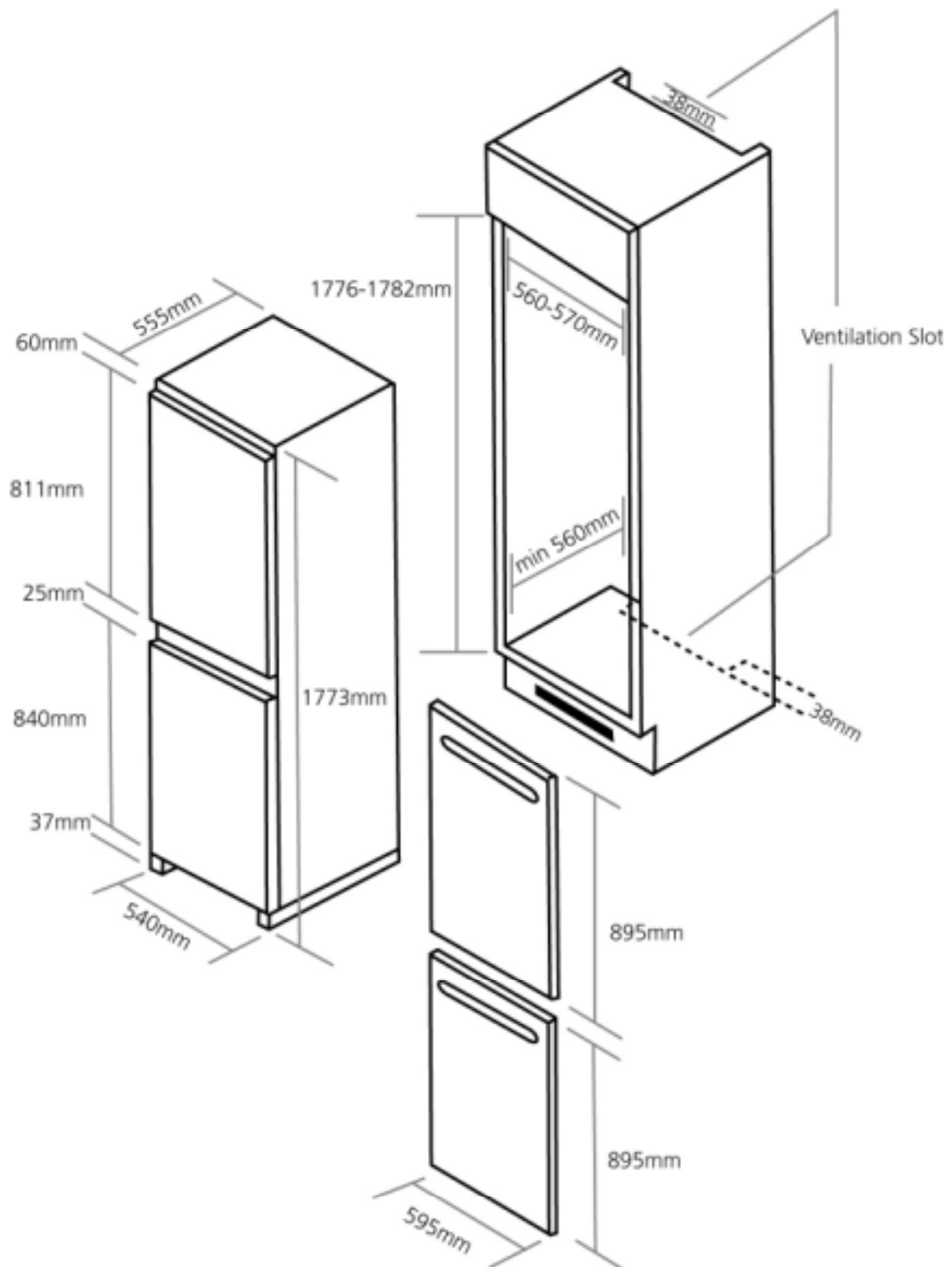


TECHNICAL INFORMATION



RI551

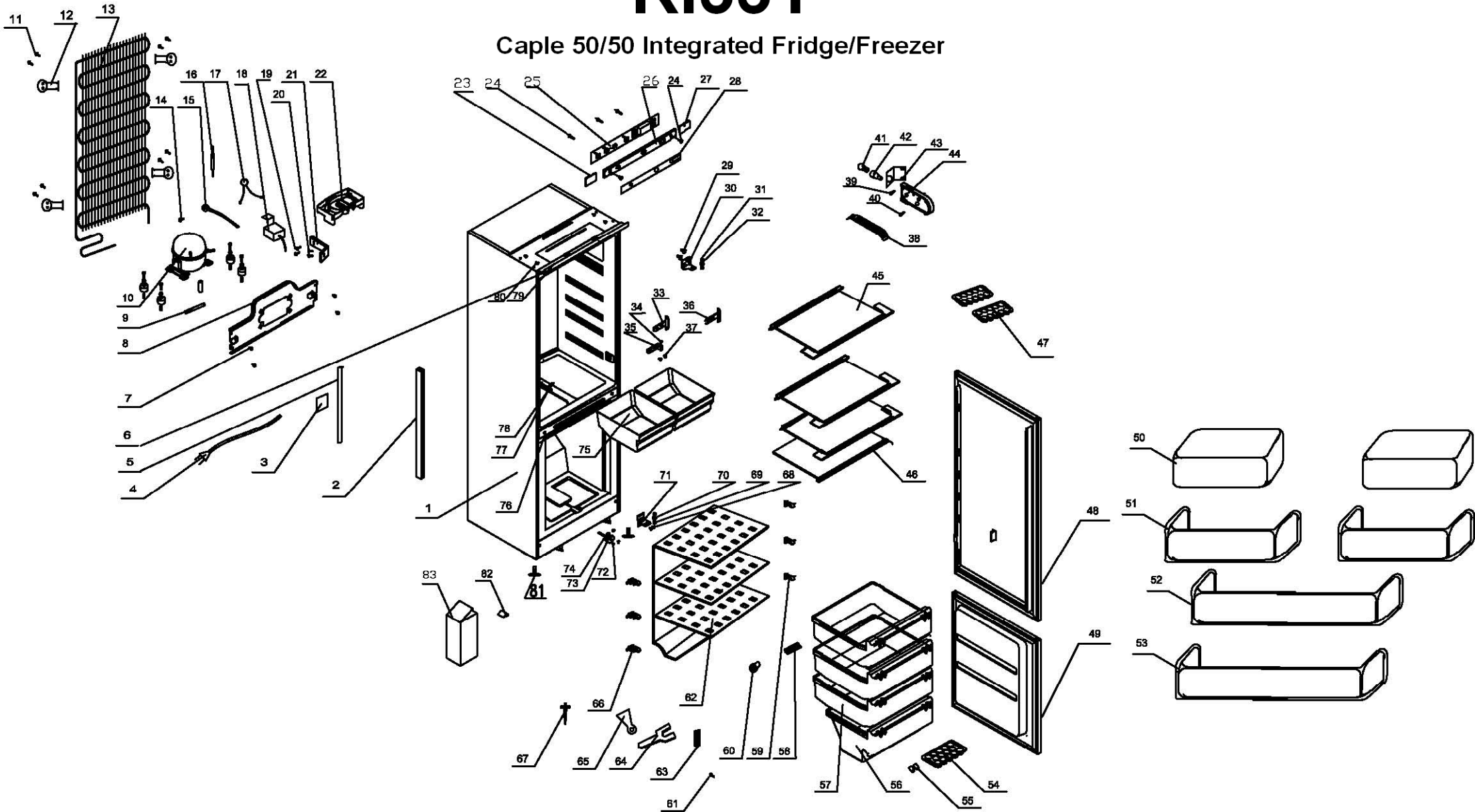
Caple 50/50 Integrated Fridge/Freezer





RI551

Caple 50/50 Integrated Fridge/Freezer






Refrigerator

Model: Ri551

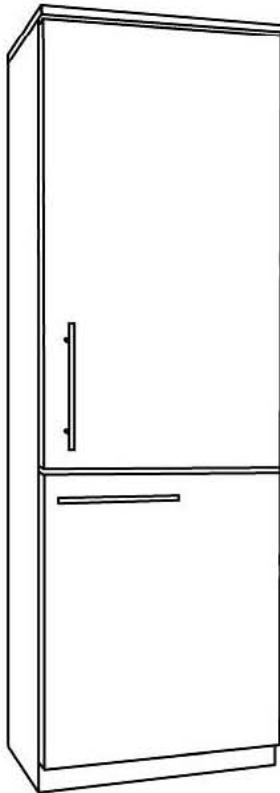
No. In the exploded view	Spare parts number	Spare parts description in English	Model	Qty	Failure rate	The proportion of the spare part stock	Remark	related technical bulletin ID number
1	0060805929	Foamed cabinet	Ri551	1	0.00%	0.00%	*	
2	0069941011	Water Drain Tube	Ri551	1	0.00%	0.00%		
3	0060505678	Nameplate	Ri551	1	0.00%	0.00%	x	
4	0060400365A	Power cable	Ri551	1	0.03%	0.03%		
5	0060200859	Soft foam tube	Ri551	1	0.00%	0.00%		
6	0060100098	Up hinge plank	Ri551	1	0.00%	0.00%		
7	0064082608	Screw	Ri551	4	0.00%	0.00%	x	
8	0060804526	Compressor base	Ri551	1	0.00%	0.00%		
9	0060106659	Injection tube	Ri551	1	0.00%	0.00%		
10	0060702363	Compressor and accessories	Ri551	1	1.79%	1.79%	*	
11	0060801078	Screw	Ri551	4	0.00%	0.00%	x	
12	0067412381	Condenser Fitting Washer	Ri551	4	0.00%	0.00%		
13	0060700507	Condenser	Ri551	1	0.00%	0.00%	*	
14	0064098028	Screw	Ri551	1	0.00%	0.00%	x	
15	0069403512	Grounding cable	Ri551	1	0.03%	0.03%		
16	0060702794	Drier filter	Ri551	1	0.00%	0.00%	*	
17	0067402236	Cable clip	Ri551	1	0.00%	0.00%		
18	0060506006	Valve	Ri551	1	0.07%	0.07%		
19	0060802008	Screw	Ri551	2	0.00%	0.00%	x	
20	0060801021	Screw	Ri551	2	0.00%	0.00%		
21	0069301045	Valve base	Ri551	1	0.00%	0.00%		
22	0060207294	Evaporator tray	Ri551	1	0.00%	0.00%		
23	0060204495	Screw cover	Ri551	1	0.00%	0.00%		
24	0064098068	Cross head tapping screw	Ri551	3	0.00%	0.00%	x	
25	0064000003	Controlling panel	Ri551	1	0.39%	0.39%	*	
26	0060200045	Controlling panel base	Ri551	1	0.00%	0.00%		
27	0060205773	Screw cover	Ri551	1	0.00%	0.00%		
28	0060200046	Displaying panel	Ri551	1	0.05%	0.05%		
29	0060802012	Screw	Ri551	2	0.00%	0.00%	x	
30	0060100058	Upper hinge base	Ri551	1	0.02%	0.02%		
31	0064240002	Spring washer	Ri551	1	0.00%	0.00%		
32	0067113077	Upper hinge bolt	Ri551	1	0.00%	0.00%		
33	0060100072	Connection thole1	Ri551	1	0.00%	0.00%		
34	0060806011	Middle hinge washer	Ri551	2	0.00%	0.00%		
35	0060104074	Middle hinge	Ri551	1	0.02%	0.02%		
36	0060600080	Connection thole1	Ri551	1	0.00%	0.00%		
37	0064082716	Screw	Ri551	2	0.00%	0.00%	x	
38	0060202824	Lamp shade	Ri551	1	0.00%	0.00%	*	
39	0064098005	Screw	Ri551	2	0.00%	0.00%		
40	0064082915	Cross head tapping screw	Ri551	3	0.00%	0.00%	x	
41	0064000156	Lamp	Ri551	1	0.12%	0.12%	*	
42	0064000277	Lamp holder	Ri551	1	0.00%	0.00%	*	

		Refrigerator			Model: Ri551			
No. In the exploded view	Spare parts number	Spare parts description in English	Model	Qty	Failure rate	The proportion of the spare part stock	Remark	related technical bulletin ID number
43	0060101950	Lamp rack	Ri551	1	0.00%	0.00%	*	
44	0060202823	Lamp box	Ri551	1	0.00%	0.00%	*	
45	0060802214	Glasses	Ri551	3	0.07%	0.07%		
46	0060402016	Glass	Ri551	1	0.07%	0.07%		
47	0060203193	Egg holder	Ri551	2	0.00%	0.00%	*	
48	0060811038	Refrigerator foamed door	Ri551	1	0.00%	0.00%	*	
49	0060811039	Freezer foamed door	Ri551	1	0.00%	0.00%	*	
50	0060207167	Bottle guard cover	Ri551	2	0.00%	0.00%		
51	0060207166	Bottle guard	Ri551	2	0.00%	0.00%		
52	0060207168	Bottle guard	Ri551	1	0.00%	0.00%		
53	0060207169	Bottle guard	Ri551	1	0.00%	0.00%		
54	0060211445	Ice box	Ri551	1	0.01%	0.01%		
55	0060200436	Screw cover	Ri551	2	0.00%	0.00%		
56	0060805647A	Short drawer	Ri551	1	0.14%	0.14%	*	
57	0060805646A	Long drawer	Ri551	3	0.14%	0.14%	*	
58	0060147072	Sensor clip	Ri551	1	0.00%	0.00%		
59	0067412091	Right limited tablet	Ri551	3	0.00%	0.00%		
60	0060508018	Lock ring	Ri551	2	0.00%	0.00%		
61	0064098068	Screw	Ri551	22	0.00%	0.00%		
62	0060700686	Evaporator in freeze room	Ri551	1	0.05%	0.05%		
63	0060101420	Link piece	Ri551	1	0.00%	0.00%	x	
64	0060100574	Spanner	Ri551	1	0.00%	0.00%		
65	0060211896	Scrapping frost board	Ri551	1	0.00%	0.00%		
66	0067412090	Left limited tablet	Ri551	3	0.00%	0.00%		
67	00602160227	Unclogging pin	Ri551	1	0.00%	0.00%		
68	0060802007	Screw	Ri551	2	0.00%	0.00%	x	
69	0064240002	Spring washer	Ri551	1	0.00%	0.00%		
70	0067113077	Hinge pivot	Ri551	1	0.00%	0.00%		
71	00601470534	Bottom hinge base	Ri551	1	0.02%	0.02%		
72	0064082811	Screw	Ri551	2	0.00%	0.00%	x	
73	0069941021	Catchments part	Ri551	1	0.00%	0.00%		
74	0067412233	Screw cover	Ri551	2	0.00%	0.00%		
75	0060207061	Vegetable box	Ri551	2	0.01%	0.01%		
76	0060212141	screw cover	Ri551	1	0.00%	0.00%		
77	0067412404	Sensor cover	Ri551	1	0.00%	0.00%		
78	0064082811	Screw	Ri551	1	0.00%	0.00%	x	
79	0060100098	Upper hinge plate	Ri551	1	0.00%	0.00%		
80	0060801021	Screw	Ri551	4	0.00%	0.00%		
81	0067042301	Adjustable leveler	Ri551	2	0.00%	0.00%		
82	0060509742D	Manual instructions	Ri551	1	0.00%	0.00%	x	
83	0060509868F	Packing carton	Ri551	1	0.00%	0.00%	x	

		Refrigerator			Model: Ri551			
No. In the exploded view	Spare parts number	Spare parts description in English	Model	Qty	Failure rate	The proportion of the spare part stock	Remark	related technical bulletin ID number
1.If the color of the Spare parts number is red, it means that the number has been changed, it should be paid more attention when you place the Spare Parts order to us.								
2,The failer rate and the proportion of the spare-part stock are regarded as the reference of the stock for spare-parts; The first time should be stocked accorded with the proportion of the spare-parts, and it should be adjusted with the actual quantity 3 months later.								
3,Easy-damaged;The spare-part which is often damaged and the customer must stock in the spare-parts warehouse, and should be marked with"*"								
4,Possible damaged: The spare-part which is not often damaged like the easy damaged one and the customer may stock in the spare-part warehouse accord with the actual case, should be marked with " ".								
5,Not need provided :The spare-part which is seldom damaged or the maintenance man could not maitmains.The spare parts may be a freighted by the factory if they were damaged. The customer needs not stock in the spare-part warehouse, should be marked with " x ".								
6,Above should be improved accord with the reply of the market half a year per time.								

DOUBLE-DOOR BUILT-IN REFRIGERATOR

Service Manual



Models:

Ri551 (HRF-295)

Features

- European style built-in and double-door
- keeping food fresh long time
- CFC-free enhances freezing efficiency
- Cellular foaming technology design for energy-saving
- Air cooling and frost free(HRF-265F)

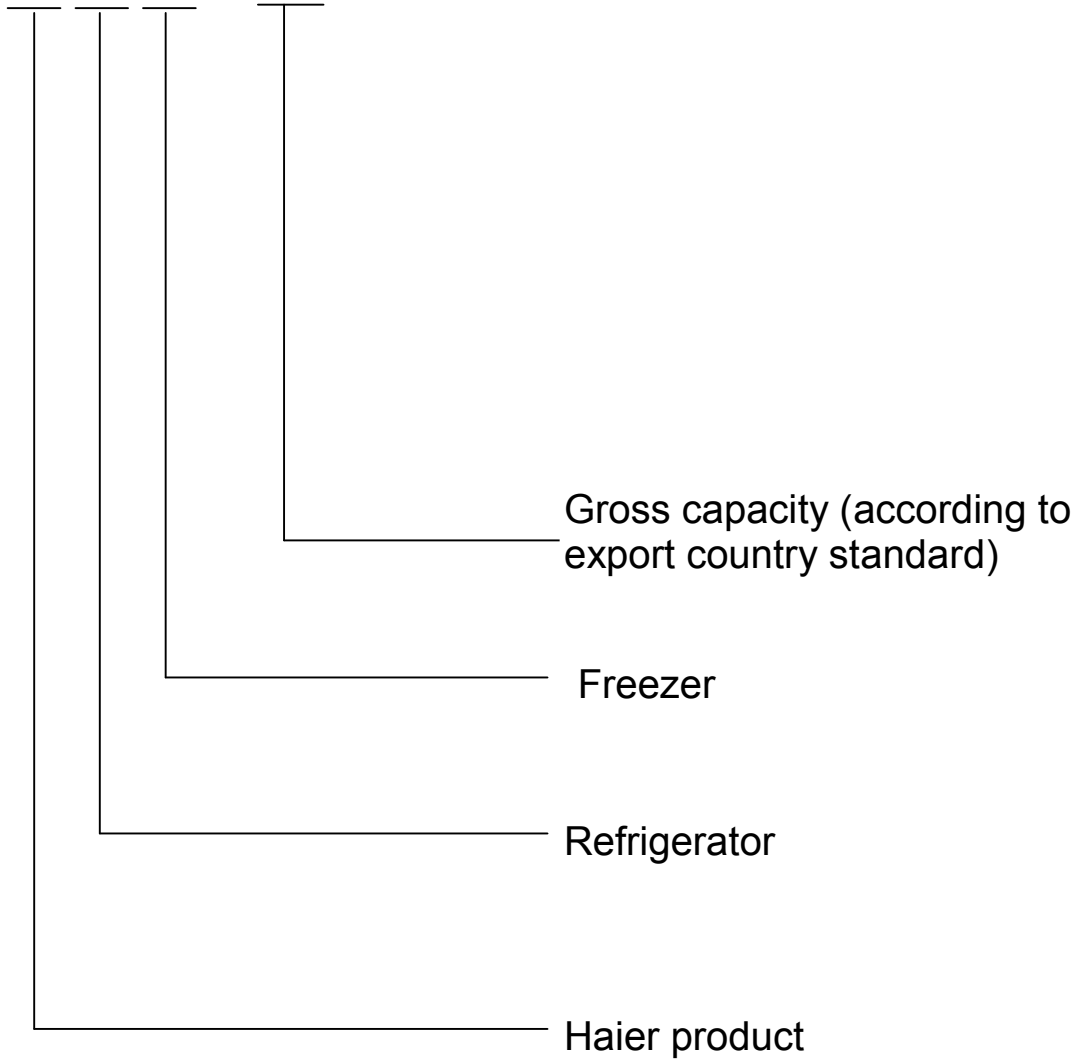
CONTENT

1. Content.....	1
2. Product code illumination and Series Introduction.....	2
3. Specifications.....	3
4. Safety precautions.....	4
5. Installation and Accessory Part.....	6
6. Parts and Functions.....	7
7. Function Schedule.....	9
8. System Flow Chart.....	11
9. Circuit Diagram.....	13
10. Maintenance Service and Trouble Shooting.....	15
11. Exploded View(Ri551).....	31
12. List of Parts(Ri551).....	32

Product code illumination and Series Introduction

Product code illumination and Series Introduction

H R F — 295 (Ri551)



Specifications

Specifications

Models	HRF-285	HRF-295	HRF-265F	HRF-255	HRF-225
Net capacity (L)	260	258	237	238	191
Color	White				
Power Supply (V/Hz)	220-240~/50				
Rated Input Power (W)	120	120	120	120	120
Power Consumption (kW·h/24h)	0.92	1.1	1.4	/	0.84
Net Weight (kg)	71	69	70	50	60
Gross Weight (kg)	79	77	80	58	65
Unit Dimension (D*W*H) (mm)	1773*540*540	1773*540*540	1773*540*540	1222*540*540	1222*540*540
Packing Dimension (D*W*H) (mm)	1870*592*613	1870*592*613	1870*590*630	1870*590*630	1320*590*630
Container Quantity 40' (PCS)	/	/	/	/	/
Container Quantity 40'HC (PCS)	79	79	78	102	102

Safety precautions

Disposal of the old appliance

Before disposing an old appliance, please make sure it's inoperative and safe. Unplug the appliance and remove or destroy all of the springs, latches, or boltlocks in order to avoid the risk of child entrapment.

It must be noted that the refrigeration system contains insulating gases and refrigerants, which require specialized waste disposal. The valuable materials contained in a refrigerator can be recycled. Contact your local waste disposal center for proper disposal of an old appliance and contact your local authority or your dealer if you have any question. Please ensure that the pipe work of your refrigerator does not get damaged prior to being picked up by the relevant waste disposal center, and contribute to environmental awareness by insisting on an appropriate, any-pollution method of disposal.

Disposal of the packaging of your new appliance

All the packaging materials employed in the package of your new appliance may be disposed without any danger to the environment.

The cardboard box may be broken or cut into smaller pieces and given to a waste paper disposal service. The wrapping foil is made of polyethylene and the polyethylene pads and stuffing contain no fluorochloric hydrocarbon.

All these valuable materials may be taken to a waste collecting center and used again after adequate recycling.

Consult your local authorities for the name and address of the waste materials collecting centers and waste paper disposal services nearest to your house.

Safety Instructions and Warnings

Before starting the appliance, read the information given in the User's Guide carefully. The User's Guide contains very important observations relating to the assembly, operation and maintenance of the appliance.

Keep the User's Guide in a safe place and remember to hand it over to the subsequent owner, if you ever sell the appliance.

The manufacturer does not accept responsibility for any damages that may arise due to non-observation of the following instruction.

Safety precautions

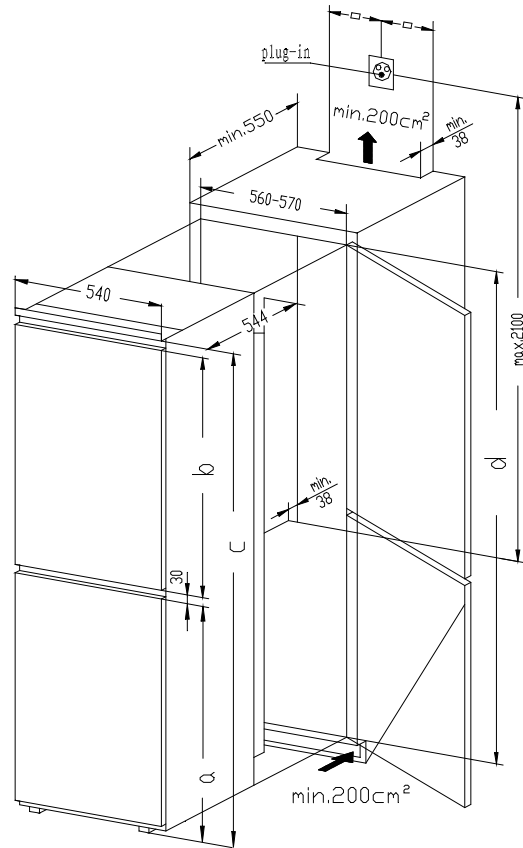
- * Damaged appliances are not to be put into operation. In case of doubt, consult your supplier.
- * Connection and installation of the appliance are not to be carried out in strict compliance with the relative instructions set forth in the User Guide.
- * For the purpose of safety, the appliance must be properly grounded in accordance with specifications.
- * The plug should be accessible after the appliance is positioned.
- * Power cable should only be replaced by factory authorized service shop.
- * Always remember to unplug the appliance before cleaning. Disconnect the appliance, pull at the plug itself not the cord.
- * Keep alcoholic beverages in airtight bottles or containers and always store in an upright position. In addition, do not store any explosive substances inside the appliance-Danger of explosion!
- * Do not damage any parts of the appliance that carry refrigerant by piercing or perforating the refrigerant's grooves with sharp or pointed items, crushing or twisting any tubes, or scraping the coatings off the surfaces. If the refrigerant spurts out and gets into eyes, it may result in serious eye injuries.
- * Do not obstruct or cover the ventilation grille of the appliance.
- * Do not allow children to play with the appliance. In no case should children be allowed to sit on the drawers or hang onto the door.
- * Warning: Keep ventilation openings in the appliance enclosure or in the structure for building in, clear of obstruction.
- * Warning: Do not use mechanical devices or other means to accelerate the defrosting process, other than those recommended by the manufacturer.
- * Warning: Do not damage the refrigerant circuit.
- * Warning: Do not use electrical appliances inside the food storage of the appliance.
- * If the supply cord is damaged, it must be replaced by the manufacturer or its service agent or a similarly qualified person in order to avoid a hazard.

Specifications

- * This appliance is designed for food refrigeration, ice making and frozen food storage.
- * It is intended strictly for household use. If using it for industrial or commercial purpose, be sure to observe the relevant norms and regulations.
- * The refrigerating circuit is leak-proof.

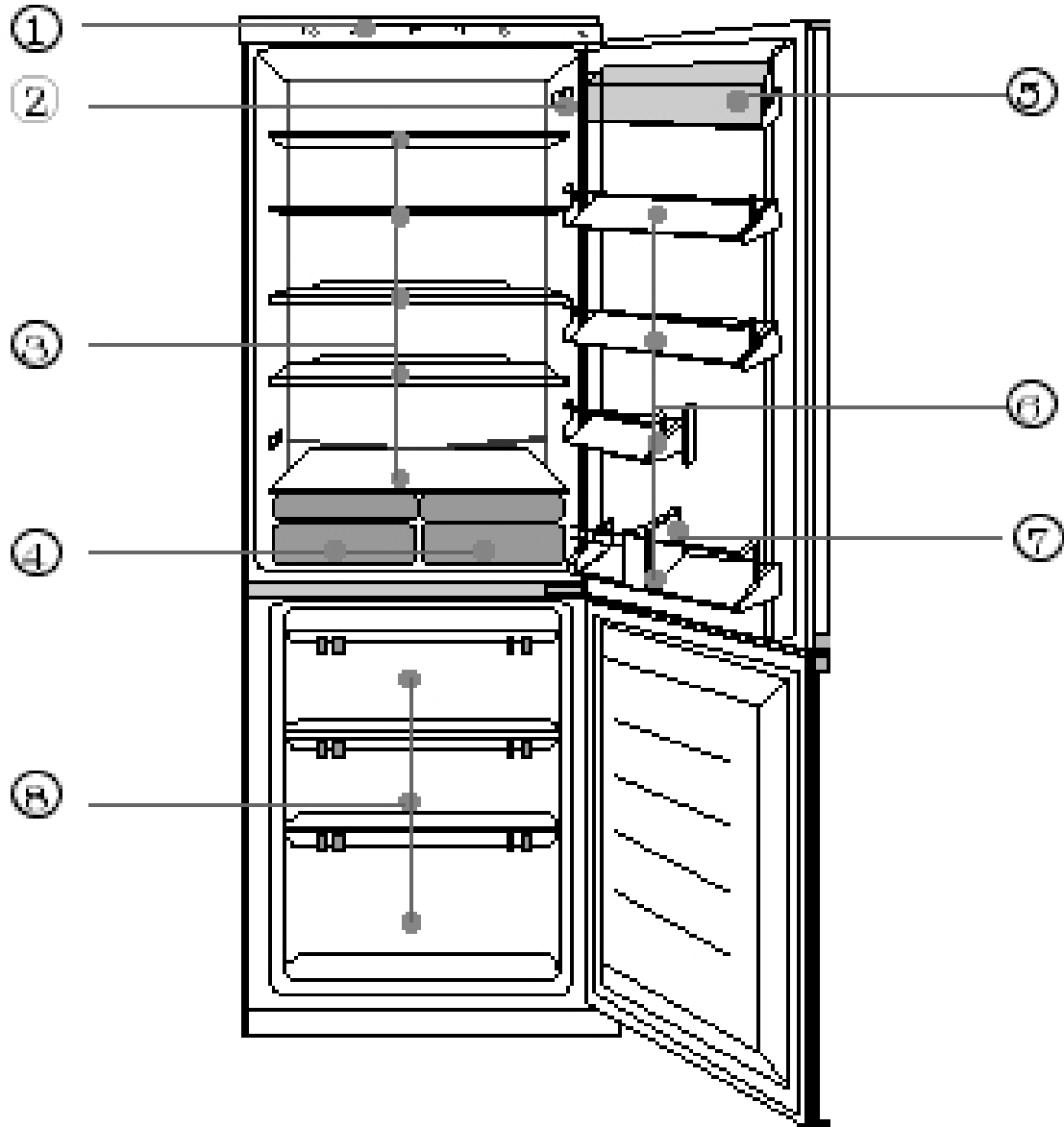
Installation and Accessory Part

Installation and Accessory Parts



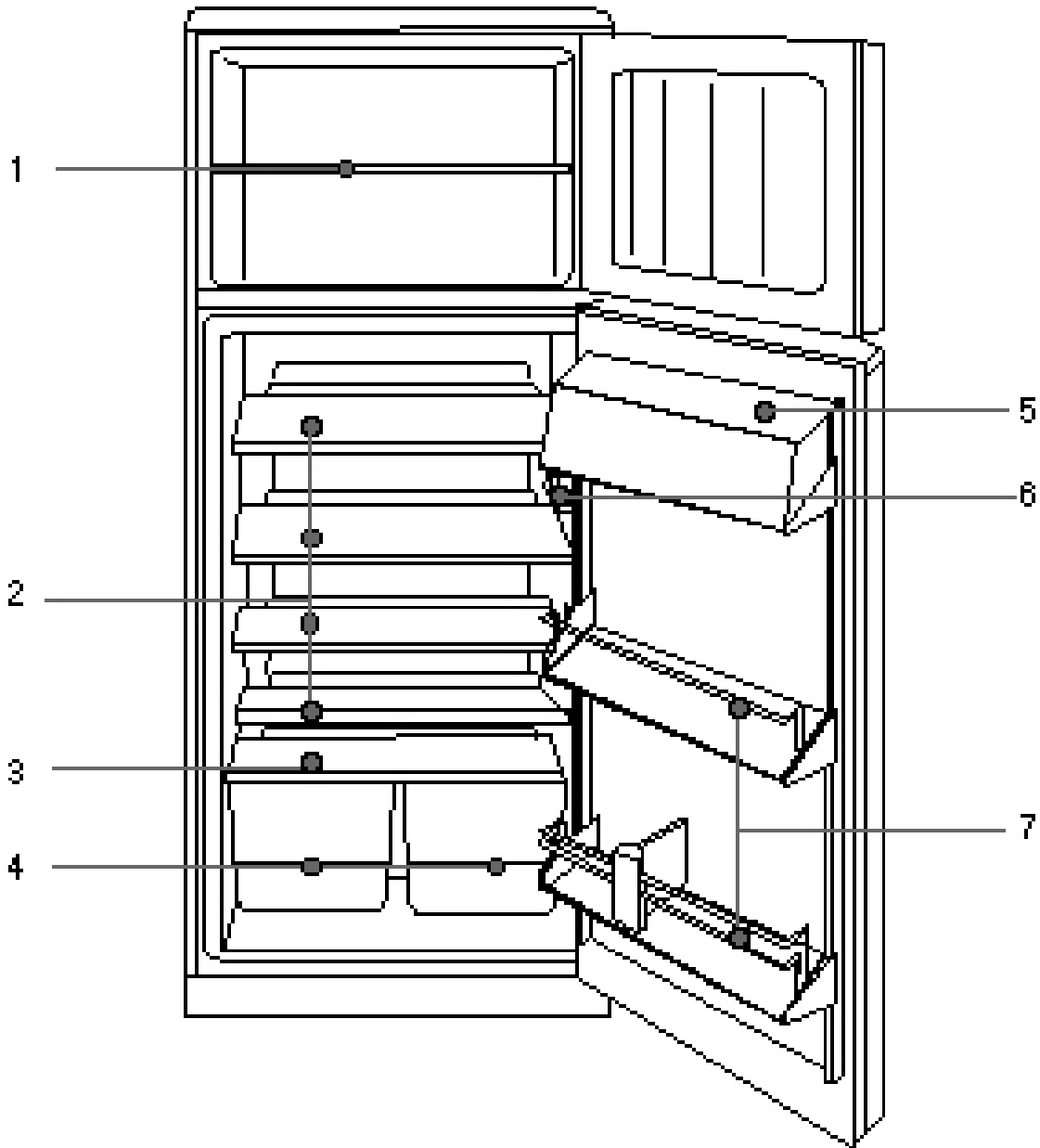
Models	HRF-285 (AT300A/SA)	HRF-295	HRF-265F	HRF-255	HRF-225
a	678	840	840	846	1069
b	1006	842	842	317	317
c	1773	1773	1773	1445	1222
d	1776-1782	1776-1782	1776-1782	1447-1451	1225-1229

Parts and Functions (HRF-285/295/265F)



- | | |
|------------------------|-----------------|
| ① Control panel | ⑤ Egg holder |
| ② Lamp | ⑥ Bottle holder |
| ③ Food shelf | ⑦ Bottle fence |
| ④ Fresh food container | ⑧ Drawers |

Parts and Functions (HRF-255/225)



1. Freezer food shelf

2. Refrigerator food shelf

3. Fresh food container cover

4. Fresh food container

5. Egg holder cover

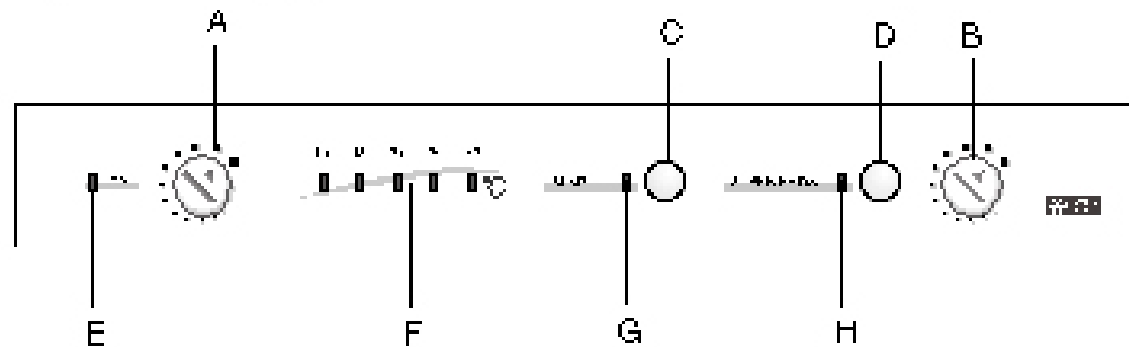
6. Thermostat and lamp

7. Bottle holder

Function Schedule

1 Control panel

When refrigerator is connected a power source, the green lamp (E) and the red over-temp warning lamp (G) illuminate.



- | | |
|-------------------------------------|--------------------------------------|
| A. Refrigerator temperature setting | E. Power indicator (green) |
| B. Freezer temperature setting | F. Temperature indicator (orange) |
| C. Buzzer release | G. Over temperature indicator (red) |
| D. Quick freezing | H. Quick freezing indicator (yellow) |

2 Power indicator

The power indicator will illuminate after the appliance is connected to the power source.

3 Temperature settings

Turn the temperature knob "A" or knob "B" to set temperatures of the refrigerator and freezer. With the value increasing, the temperature goes down and vice versa.

4 Quick freezing

The quick freezing function is designed to preserve the nutritional value of food, as the food will freeze completely in the shortest period possible. On pressing the quick freezing button D, the yellow lamp will illuminate, indicating that the quick freezing mode has been set. After the compressor operates for a certain period, the quick freezing mode will cease automatically and the yellow lamp H will extinguish. The quick freezing mode can be stopped manually by pressing the quick freezing button D, at this time the yellow indicator H extinguishes.

Function Sched

5 Freezer temperature display

Temperature of the freezer can be displayed. The indicator F illuminates at different scales for temperature ranges as shown in the table.

Indicator	Temperature Range
-15	-13°C~16°C
-18	-16°C~19°C
-21	-19°C~23°C
-25	-23°C~25°C
-32	Quick freezing mode

6 Over temperature warning and buzzer release

When the actual temperature as sensed is above set point, the over temperature warning indicator G will blink accompanied by a buzzing. Check to see if the refrigerator door is properly closed or if the refrigerator is first operated. When the temperature in the freezer compartment falls to the desired value, the red over temperature-warning indicator will automatically extinguish. When the refrigerator is first used, the indicator G illuminates.

Pressing the button C will cease the activated over-temp buzzer. When the temperature in the freezer falls down below -5°C, the over-temp warning indicator will extinguish.

7 Error indication

Temperature sensors are installed in the refrigerator and the freezer.

The red warning lamp will blink if problems occur with the refrigerator temperature sensor, then the refrigerator enters the standby mode monitored by the freezer sensor.

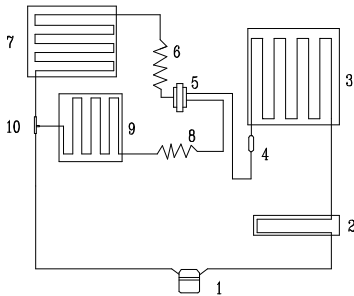
The red warning lamp will blink if the problem occurs with the freezer sensor, then the refrigerator enters the standby mode monitored by the refrigerator sensor, and quick freezing mode functions and the five indicators extinguish. If problems occur with all the sensors, the compressor operates and then ceases with an interval of 20 minutes. Quick freezing mode does not function and the five indicators extinguish.

Contact authorized after-sales service if the sensors have problems while the cooling system of the refrigerator functions.

System Flow Chart

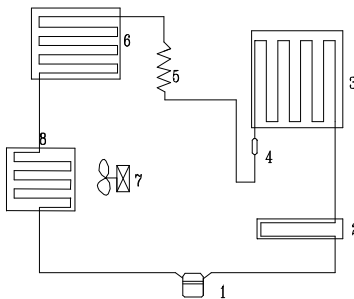
System Flow Chart

1 Schematic diagram of System Flow Chart



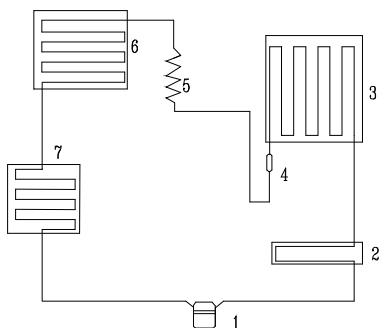
← FOR HRF-285/295

- 1 Compressor
- 2 Hot Tube
- 3 Condenser
- 4 Dry Filter
- 5 Solenoid Valve
- 6 Capillary Tube 1
- 7 Evaporator for Refrigerator Compartment
- 8 Capillary Tube 2
- 9 Evaporator for Adjust Temperature Compartment



← For HRF-265F

- 1 Compressor
- 2 Hot Tube
- 3 Condenser
- 4 Dry Filter
- 5 Capillary Tube
- 6 Evaporator for Refrigerator Compartment
- 7 Motor
- 8 Evaporator for freezer Compartment



← For HRF-255/225

- 1 Compressor
- 2 Hot Tube
- 3 Condenser
- 4 Dry Filter
- 5 Capillary Tube
- 6 Evaporator for Refrigerator Compartment
- 7 Evaporator for freezer partment

2 Brief Description of System Flow Chart

The refrigerating system (for HRF-285/295) of direct cooling dual-system refrigerator belongs to the category of dual circulating system. It is formed by adding a-state 2-way solenoid valve and a capillary to a single system. When the solenoid valve is deenergized, the refrigerant flows in the sequence: 1->2->3->4->5->6->7->10; while it is energized, the refrigerant flows in the sequence: 1->2->3->4->5-> 8->9->10.

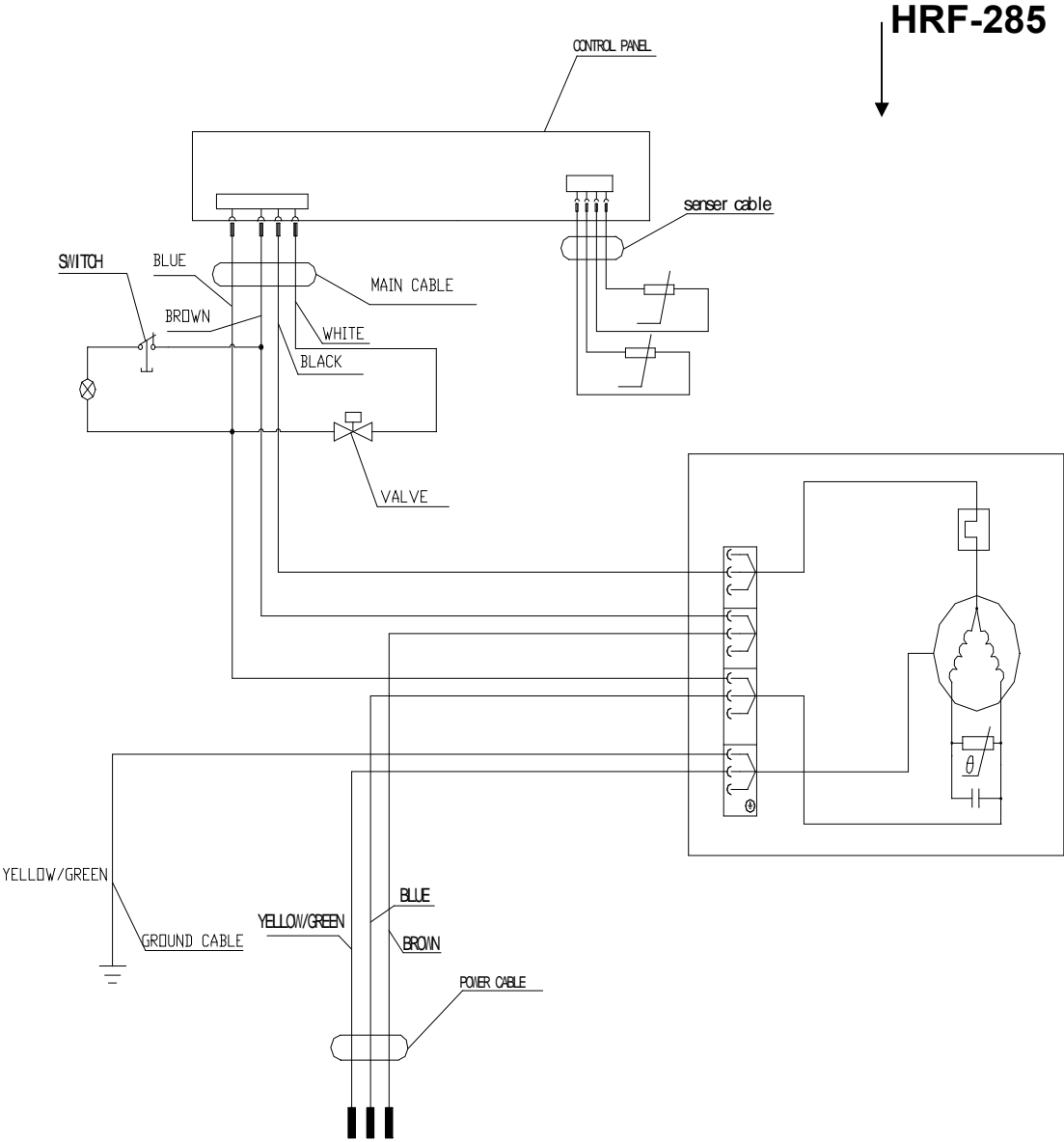
The refrigerating system (for HRF-265F) of frosting-free dual-system refrigerator belongs to the category of dual circulating system. It is formed by a single system. The refrigerant flows in the sequence: 1->2->3->4->5->6->8. The motor for frosting-free by some other controlling functions.

The refrigerating system (for HRF-255/225) of direct cooling dual-system refrigerator belongs to the category of dual circulating system. It is formed by a single system. The refrigerant flows in the sequence: 1->2->3->4->5->6->7.

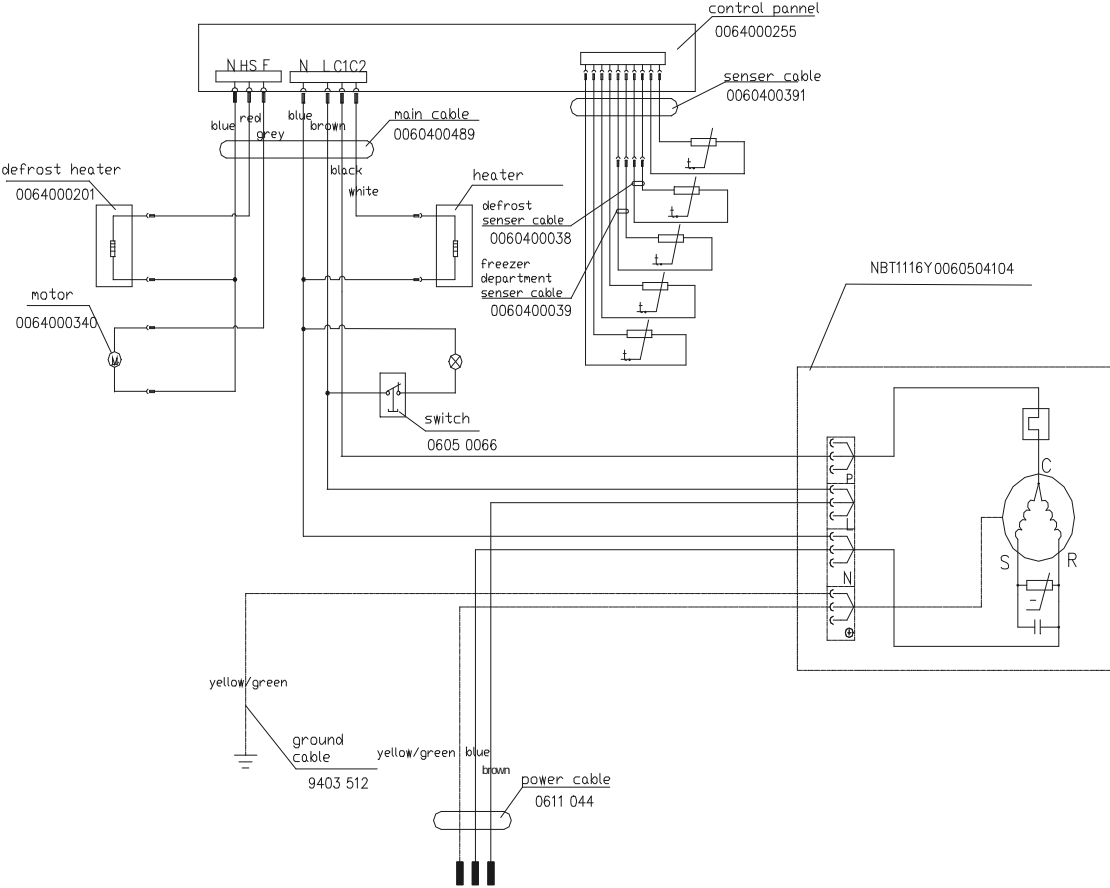
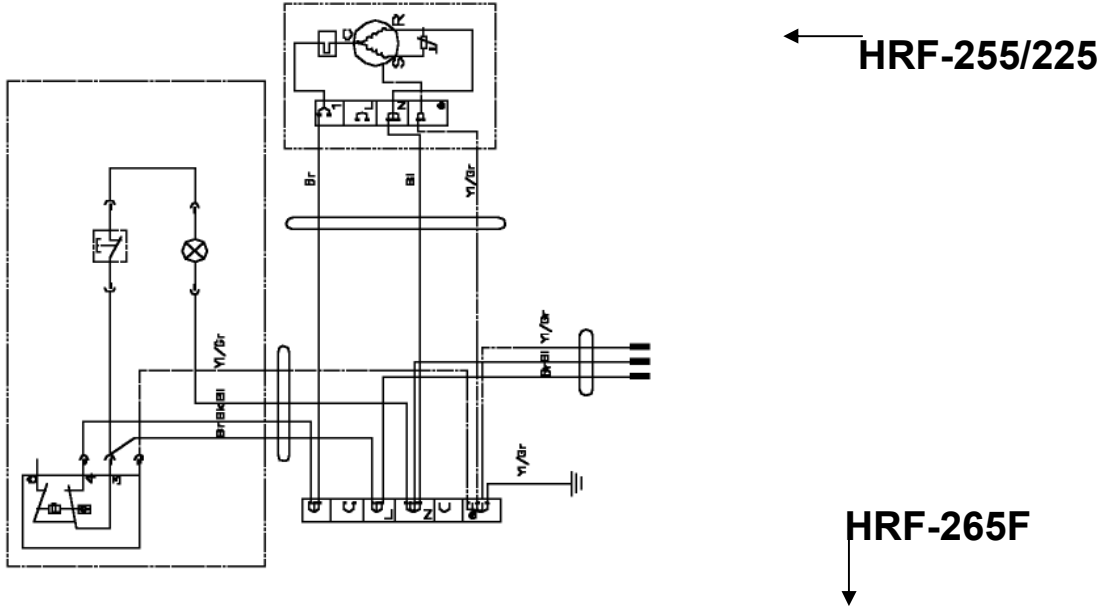
Circuit Diagram

Circuit Diagram

Schematic Circuit Diagram



Circuit Diagram



Maintenance Service and Trouble Shooting

1 Normal Phenomena—Not Troubles for Refrigerators

In a domestic refrigerator, there is not only a complicated electric control system, but also a refrigerating system that is difficult to discern whether it is in a good working condition. Both the systems are related and affect each other. If a certain part of a refrigerator works abnormally, its refrigerating efficiency will decrease, operation properties will become unstable, or even it cannot be used normally for those serious cases.

Refrigerators are generally of larger volume, once troubles appear, to send them to a service department is really a tough thing, if such is the case, the user will always be in suspense, sometimes, normal phenomena will be erroneously regarded as troubles. Therefore, before we deal with the topics of frequently occurring troubles of refrigerators and their remedies, we should firstly give a brief account of some normal phenomena which are not troubles. In case any one of such phenomena occurs, there is no need to worry about it, and the user can use it at total ease.

1). When the compressor of a refrigerator has just stopped running, a rumbling sound can be heard from inside its evaporator. This is a sound caused by the flowing of refrigerant in the evaporator tubing. Because the pressure difference is still greater after the compressor has just stopped running, the refrigerant will flow for a certain time, therefore, this sound is a normal phenomenon.

2). A click sound can often be heard from the refrigerator. This is a normal sound produced by the pull-in or release of the armature of a current deadweight start relay when starting the compressor. The compressor motor will produce a slight and uniform sound while it is running. This sound is not easy to be heard in the daytime, but of course it can be heard distinctly at night.

3). The compressor consists of an electric motor and a compressing apparatus. During its normal operation, the motor's stator core and windings will rise to a temperature in the range of $100^{\circ}\text{C}\sim 110^{\circ}\text{C}$, and the temperature of the piston and cylinder of the compressing mechanism can also reach as above 100°C due to the heat produced when compressing refrigerant. Most of the heat radiates to the air through the compressor casing, therefore, its casing is generally at a temperature between $85^{\circ}\text{C}\sim 90^{\circ}\text{C}$, it is very hot, particularly in summer when the ambient temperature is higher. All these are normal phenomena.

4). For the direct cooling refrigerator, a kind of irregular crack sound can be often heard when the compressor is running for a certain period of time or has just stopped its running. This sound is caused by the stress relief due to expansion and contraction when temperature changes, and will not

Maintenance Service and Trouble Shooting

affect the normal application of refrigerator .

2 Common Troubles in Refrigerators and Their Remedies

Causes for troubles occurring in refrigerators are closely related to the quality of components and workmanship in assembling by manufacturers as whether refrigerators are properly used and maintained .The parameters generally used to express the working conditions of a refrigerator include the temperature inside the refrigerator ,operation rate ,electric power consumption ,noise level ,and other functional indexes .If any one of these parameters is beyond its permissible range ,this indicates that there is a fault or trouble in the refrigerator .

During the whole service life of a refrigerator ,the probability of troubles occurring within a union time is called its failure rate .Making a comparison between the control circuit system of a refrigerator and its refrigerating system ,we can find that the failure rate of the former is higher ,and that of the thermostat is the highest . In troubleshooting ,the first thing you must do is to determine where the trouble comes from --- the control system or the refrigerating system .There is general no trouble indicating instrument mounted on the domestic refrigerator ,locations and natures of troubles should be determined according to their respective features ,therefore ,experience in servicing is very important to troubleshooting .Service technicians with rich experience can correctly locate them and take reasonable remedy measures based on their comprehensive analysis of trouble characteristics as well as operating conditions for various kinds of refrigerators .

Three Essentials for Checkup

1) Look

a) Check the tubing of refrigerating system for cracks and various welding points for leaks ;if leakage occurs ,an oil stain can be seen definitely .

b) Check the suction and exhaust pressure values (high pressure and low pressure) of compressor to see whether they are normal .

c) Check the conditions of frost attached to its evaporator and gas return tube .It is abnormal if frost has formed on part of the evaporator or there is no frost attached to it .

d) Pay attention to the speed of temperature drop inside freezer compartment .It is abnormal if the speed of temperature drop is obviously slower than the corresponding normal speed .

e) Check the environment to see whether it is suitable for placing a refrigerator .

f) Check refrigerator door seal ,case ,table surface and heat insulation layer .

g) Look at the main control board to ascertain if various indication states are normal.

2) Listen

Maintenance Service and Trouble Shooting

a) Listen to the noises produced when the compressor is running

Hums from a fully enclosed aggregate unit is the sound caused by overload indicating that the motor cannot be started normally ,meanwhile ,a clattering sound can be heard from inside the start relay ,which is produced because the start contacts cannot be released normally .A whistling sound is caused by the high pressure gas flowing out of the crack of the pressure tube inside the compressor ,and clucks are the sound of striking after the suspended spring inside the compressor has broken .

During the normal operation of compressor ,a slight and uniform hum sound due to undulation of electric current can be heard generally ,this is a normal phenomenon .However ,if it sounds like “tong ,tong ...”,i.e., an impact sound inside the compressor ,this means that a large quantity of wet vapour of refrigerant or refrigerating oil has come into the compressor cylinder ;if it sounds like “dang ,dang...”, a striking sound of metal parts inside the compressor ,this means that some moving parts have loosened (note to differentiate this sound from those formed during starting or stopping the compressor).

b) Listen to the sound caused by the flowing of gas in the evaporator

Open the refrigerator door while the compressor is in operation ,incline your ear and listen attentively the gas flow sound inside the evaporator .If it sounds like gentle whistling accompanied by a sound similar to water flowing ,this is the sound produced by the normal circulation of refrigerant within the evaporator .In case only the gas flowing sound can be heard and there is no water flowing sound ,this indicates that the refrigerant has already percolated .If neither the flowing sound nor the gas sounds from the evaporator can be heard ,this means that the filter or capillary has been clogged .

3)Touch and Feel

a) Feel the compressor when running ,its temperature should be generally less than 90°C in the normal state (it may exceed 90°C in case of running for a longer period of time) .

b) After the compressor has operated normally for 5~10 minutes , touch and feel the condenser ,the temperature of its upper part should be higher than that of its lower part (or its right part is hotter than its left part ,depending on the type of condenser coil),this indicates that the refrigerant is circulating . If the condenser is not hot ,this means the leakage of refrigerant .In case the condenser radiates heat for only several minutes and then cools down ,this means that the filter and capillary have been clogged .As for the forced air cooling condenser ,hot air will be blown out of it ;this means that the system is out of order .

c) Feel the filter's temperature .During the normal operation of refrigerating system ,the temperature on the filter's surface should be a little higher than the ambient temperature ;if you touch it with your hand ,you will have a sense of slight heat .In case dew condensation

Maintenance Service and Trouble Shooting

appears due to the fact that its temperature is obviously lower than the ambient temperature ,this means that most meshes of its screen has been clogged ,resulting in an obstructed flowing of refrigerant ,thus causing a drop in temperature due to throttling .

d) Feel the temperature of exhaust gas from the refrigerating system .the exhaust gas should be very hot and this is the normal working state .For those refrigerator with enclosed type of compressor refrigerating system, no frost or dew drop will form on the gas suction tube ,otherwise ,there is something wrong in the system (Frosting and dew condensation may appear for a very short time period when just starting the machine ,this is a normal phenomenon).

Because a refrigerator is a combination of several components ,they are related and have influence on each other .In case an abnormal phenomenon has been found through the above-mentioned checkups ,you need not to make a hasty conclusion based on only one abnormal phenomenon .It is advisable to find out two or more abnormal phenomenon ,or conduct troubleshooting comprehensively with the aid of instruments or other ways ,because several kinds of troubles may share a common abnormal phenomenon ,and two or more abnormal phenomena may occur simultaneously due to a certain trouble .With this method ,you can reject some suspicious troubles and finally make a correct judgment .

3 Analysis of Troubles and Troubleshooting

A. Poor Refrigerating Effect

The so-called “poor refrigerating effect “ refers to the fact that the refrigerator can operate normally ,but the temperature in the refrigerator cannot drop to the prescribed value under the stipulated working conditions .In view of there are many causes for this phenomenon ,we are going to discuss and analyze it in the following 7 aspects :

1) Leakage of refrigerant

Analysis of Trouble

The leakage of refrigerant in the system will result in an insufficient refrigerating capacity ,the resulting phenomena are its lower gas suction pressure and exhaust pressure as well as higher exhaust gas temperature .The exhaust tube feels rather hot ,and a continuous gas flowing sound louder than usual can be heard at the outlet of the capillary ,and no frost or a smaller quantity of loose frost appears on the evaporator .After shut down ,the balance pressure in the system is usually lower than the saturation pressure corresponding to the same ambient temperature .

Remedy

In case there is leakage of refrigerant from the system ,do not hurry to recharge it with refrigerant ,manage to find out leak points immediately ,and

Maintenance Service and Trouble Shooting

make a note of from where it leaks ---welding points and parts .After having them repaired ,recharge refrigerant .

There are so many joints and sealed surfaces in a refrigerator ,accordingly ,quite a lot potential leak points do exist in the system .In troubleshooting ,pay attention to those parts that are liable to leak ,check main connection points for oil seepage and tubing for cracks .If there is no severer leak point ,charge the system with nitrogen and detect leak points with the commonly adopted method ,repair them ,evacuate ,charge the system with refrigerant ,and then turn on the refrigerator to make a test run .

2) Too much refrigerant charged into the system

Analysis of Trouble

a) In case the amount of refrigerant charged into the system exceeds its nominal capacity ,the superfluous refrigerant will of course take some space of the evaporator ,thus reducing its heat-dissipation area and hence the refrigerating efficiency of the system .The abnormal phenomena caused by this reason are as follows :the gas suction and exhaust pressures are generally higher than their respective normal values ,the temperature of its condenser is higher and the electric current of the compressor rises ,loose frost forms on the evaporator ,the refrigerator temperature drops slowly ,and frost appears on the gas return tube .

b) In case excessive refrigerant has been charged ,the liquid refrigerant that cannot evaporates in the evaporator will return to the compressor ,and thus a phenomenon of “liquid striking” will occur .The liquid refrigerant evaporates and effervesces as soon as it flows into the refrigerating oil at the bottom of compressor .If the condition is severe ,foams will fill all over inside the compressor housing and be sucked by the piston ,causing damage to the components of compressor .

Remedy

According to the operating procedures ,it is mandatory to turn the machine off ,and several minutes later ,open the refrigerant charging tube and let the refrigerant escape from it ,replace the dry filter ,recharge refrigerant after evacuating ,and then seal the charging port .

3) There is air left in the refrigerating system

Analysis of Trouble

Residual air in the refrigerating system will reduce its refrigerating efficiency .The prominent phenomena are the increase in its gas suction and exhaust pressures (however ,the gas exhaust pressure will not exceed its rated value),obvious increase in temperature in the segment from the compressor outlet to the condenser inlet .Because there is air in the system ,both the gas exhaust pressure and temperature will rise ,and moreover ,the gas flowing sound is intermittent and obviously louder .

Maintenance Service and Trouble Shooting

Remedy

After shut down for several minutes ,open the tubing ,evacuate it and then recharge the system with refrigerant .

4) Low efficiency of compressor

Analysis of Trouble

Low efficiency of a refrigerating compressor refers to the actual reduction of gas discharge capacity ,and hence the corresponding reduction of refrigerating capacity ,under the condition that the refrigerant in the system is unchanged .This phenomenon occurs mostly when the compressor has been used for quite a long time ,its moving parts have worn to a considerable degree ,fit clearance between various parts have increased and sealing property of its gas valve has deteriorated ,resulting in an decrease in its actual gas discharge capacity .

Methods of Judgment

Measure the high and low pressures with pressure gauges to see whether they are normal .If an abnormal sound comes from the compressor or the temperature of its causing is too high ,Cut the discharge port open and operate the compressor ,feel it if there is pressure at the discharge port with your finger (For a normal compressor ,its discharge port is difficult to be blocked with your finger if you just apply a little effort).

5) Too thick frost layer formed on evaporator

Analysis of Trouble

If a direct cooling refrigerator is to be used for a prolonged period of time ,be sure to defrost its evaporator regularly ;if you fail to do so ,the frost layer on the evaporator tubing will become thicker and thicker .Heat conduction will be severely affected when the whole tubing is wrapped with a transparent ice layer ,and finally the temperature in the refrigerator cannot drop down to the prescribed range .

Remedy

Turn the refrigerator off ,and make preparations for defrosting ,open the refrigerator door to let the air come in ,or use a fan to speed up air flowing so as to shorten the time needed for defrosting .Never strike the frost layer with any iron tools or wood stick in order to avoid damage to the evaporator tubing .

6) Refrigerating oil left in evaporator tubing

Analysis of Trouble

During the process of refrigerating cycles ,a little refrigerating oil may remain in the evaporator tubing ,and after a longer time of operation ,if there is considerable refrigerating oil left in the evaporator ,the heat conduction effect will be severely affected ,thus causing a poor refrigerating effect .

Remedy

It is quite difficult to determine whether this trouble is caused by the refrigerating oil left in the evaporator tubing ,because this kind of

Maintenance Service and Trouble Shooting

phenomenon and other several trouble are tends to be confused .Generally speaking ,you can make a judgment based on the frost formed on the evaporator .If the frost does not cover the evaporator , and moreover ,it is loosely formed ,you can make a judgment that the deterioration of refrigerating effect is due to the accumulation of refrigerating oil left in the evaporator tubing in case no other troubles have been found . To clear off refrigerating oil left in the evaporator ,dismantle the evaporator ,purge it thoroughly and then dry it .In case it is difficult to dismantle it ,charge refrigerant from the evaporator inlet to wash it several times ,then purge and dry it with nitrogen .

7) Flowing obstructed in refrigerating system

Analysis of Trouble

Because the refrigerating system was originally not purged thoroughly ,some of the filter screen meshes have been clogged by dirt accumulated in the filter after using it for a certain time of period ,thus resulting in a decrease in flow rate ,and hence a poorer refrigerating effect .

The abnormal phenomena caused by this kind of slight clogging in the system are as follows: the gas discharge pressure is lower ,the temperature of discharged gas drops down ,the position clogged has a temperature lower than that in normal conditions ,and for a severe clogging ,even dew condensation as frosting may appear .

Remedy

Purge the tubing ,and after replacing the dry filter with a new one or clearing it thoroughly ,recharge the system with refrigerant and seal the charging port .

B. No Refrigerating

The phenomenon that the compressor runs normally ,but no frost (or only a little frost) appears on the evaporator ,and the refrigerator temperature does not drop down is called “no refrigerating”. There are many causes for this trouble and it is relatively complicated , too . In servicing ,special attention to finding direct causes for this phenomenon .Three main potential causes for this trouble are analyzed below :

1) All refrigerant in the system has leaked out

Analysis of Trouble

Leak points in the refrigerating system have not been found and repaired timely ,thus resulting in the total escape of refrigerant .There are two kinds of leakage :i) **slow leakage** for instance ,when we want to use a refrigerator that has been put out of quite a long time ,we find the leakage of refrigerant ,or in the course of its operation ,we have found that the refrigerator is gradually becoming not so cold and finally no refrigerating can be achieved ; ii) **fast leakage** in that case ,all the refrigerant will escape swiftly due to abrupt rupture of system tubing .

Symptoms of total leakage of refrigerant are mainly as follows : the

Maintenance Service and Trouble Shooting

compressor can be started easily (if there is no damage to the compressor parts) and its operating current becomes low ,its gas suction pressure is high and discharge pressure is lower ,the gas discharge tube feels rather cold ,no sound of gas eruption from the liquid in the evaporator can be heard ,and no will gush out of the process tube if you cut it open after shutdown .

Remedy

Check the whole machine , particularly those locations which are liable to leak .After leak points have been found ,repair them or replace them with new parts according to specific circumstances ,then evacuate the system and finally charge refrigerant.

2) Refrigerating system has been clogged

a) Clogged with Ice

Analysis of Trouble

The dryness treatment for the major parts in the refrigerating system has been performed improperly, the effect of air purging for the whole system is not good ,or the water content in the refrigerant is out of standard ,all these will cause the expansion valve to be clogged with ice .The symptom for this trouble are as follows :the refrigerator sometimes can refrigerate and sometimes cannot :the refrigerator compartment works normally at the beginning ,but after working for a certain period of time ,frosting begins at the clogged position ,evaporation temperature reaches below 0°C , water will accumulate at the narrow part of the capillary and clog it gradually ,then frost begins to melt at the evaporator ,no gas flowing sound can be heard ,and the gas suction pressure assumes a state of vacuum .Note that these phenomena will appear intermittently ; sometimes ,the refrigerator works well ,and sometimes not well .In order to determine whether it is clogged with ice ,heat the suspicious points with hot water to make ice melt ,and after a while if a gas flowing sound resulting from an abrupt gush is heard and the gas suction pressure rises as well ,it can be confirmed that the trouble is caused by ice clogging .

Remedy

If there is too much moisture in the refrigerating system, it is advisable to release the refrigerant, purge the tubing with nitrogen, and then charge the system with the filtered refrigerant. However, the commonly adopted method is to connect a filter with moisture absorbers (such as silica-gel, anhydrous calcium chloride) to the refrigerating system so as to filter out the moisture from the system, then replace the filter, evacuate it again and finally charge the system with refrigerant.

b) Clogged with dirt in capillary

Analysis of Trouble

The capillary inlet is a place where coarse-grained dirt or refrigerant oil in the system will tend to settle down and clog it. In case considerable dirt accumulates there, the whole filter screen may be blocked totally, making

Maintenance Service and Trouble Shooting

the refrigerant unable to go through. Clogging with dirt exhibits the same symptoms as that with ice, namely, higher gas suction pressure, lower temperature of discharged gas, and no gas flowing sound from the evaporator. The difference between the both is as follows: if the clogging is caused by dirt, tapping the suspicious clogged point (generally in the capillary or the connection joint of the filter) may cause the refrigerant to flow through partially, resulting in some corresponding change, whereas in that case if you heat it with a hot towel, no reaction will happen, no flowing sound can be heard, moreover, there is no periodic change. After rejecting the possibility of ice clogging, it can be generally considered as the clogging due to dirt.

Remedy

Dismantle the system, remove the dry filter from it, purge the tubing with nitrogen, install a new filter, then evacuate it and finally charge it with refrigerant.

C) Clogging in filter

Analysis of Trouble

Total clogging of a filter is rarely to occur. This trouble is mostly caused by the paste-like matter formed from the substances filled into the system or other dust after the refrigerator has been used for a longer time, or by the dirt accumulated gradually inside the filter. Sometimes, tapping the filter may cause a passage for flowing, Touching it with your hand, you will feel that it is cooler compared with its temperature in the normal state.

Remedy

The same as described in the capillary clogging with dirt.

3) Troubles of Compressor

a) Breakage of gas suction and discharge valve blocks

Analysis of Trouble

The compressor works by means of the opening and closing of gas suction valve and discharge valve to suck and discharge the refrigerant. If the valve block is broken, the refrigerant can not be discharged, and hence no refrigerating can be achieved.

Method for making judgement

It is quite difficult to differentiate this trouble from others because they often have similar symptoms. In repairing, firstly, hear attentively if there is some abnormal sound coming from the compressor (sometimes, the broken pieces of valve block may strike against the cylinder), and feel the compressor casing with your hand to ascertain whether it is too hot, this is also helpful to the troubleshooting; secondly, measure the pressures at the high and low pressure ports of the compressor with pressure gauges, if the gas suction valve block is broken, the suction pressure gauge pointer will swing violently and the suction pressure is very high, whereas when the gas discharge valve block is broken, the discharge pressure gauge pointer will swing drastically and the discharge pressure is very high. In the both

Maintenance Service and Trouble Shooting

cases, stop the compressor at once, and if technique is available, open the cylinder cover and check up the valve block, repair it, or replace it with a new one,

C. Sudden stop of Compressor during Its Running

The cause of sudden stop of a compressor during its running is mostly that the gas suction pressure and/or discharge pressure exceed their respective prescribed ranges, thus making a pressure-operated protective relay shut off the power to the compressor and stop it. In the following we discuss mainly the reasons for causing excessively high gas discharge pressure and low suction pressure.

1) Stoppage due to excessively high gas discharge pressure

A) Too much refrigerant charged into the system

Analysis of Trouble

The phenomenon, such as loose frosting and poor refrigerating effect, may occur if excessive refrigerant has been charged into the system. Superfluous refrigerant will occupy a certain space of the evaporator, thus reduce its heat dissipating area, and the phenomenon of "liquid striking" may occur, too. Meanwhile, dew or frost condensation may occur on the gas return tube, and the gas discharge pressure will obviously rise, when it reaches the threshold value, the protective relay will actuate and shut off the power supply to the compressor.

Remedy

Open the tubing, re-evacuate and then charge the system with a proper quantity of refrigerant.

b) Air left in the system

Analysis of Trouble

The residual air in the system will circulate together with the refrigerant in the system. The major symptoms caused by this residual air is higher gas discharge pressure, higher discharged gas temperature (the gas discharge tubing is considerably hot when you feel it with your hand), and poorer refrigerating effect. Furthermore, the gas discharge pressure will exceed its normal value when the compressor has run for a period not too long, thus making the protective relay actuate and bring to a stoppage.

Remedy

Check up how the air has been left in the refrigerating system. Generally, there are two possibilities: one is that the air has been sucked into the system when repairing due to carelessness, or it has not been purged out totally when evacuating the system; the other is that there are leak points at the low pressure end of the refrigerating system. Leak points appear mostly in those low temperature parts or assemblies, because the evaporation temperature is lower for such low temperature devices, especially at the low pressure end, it is easier for the air goes into the system. Once it has been ascertained that air does exist in the system, you have to open the tubing, re-evacuate it and then charge it with refrigerant.

Maintenance Service and Trouble Shooting

2) Stoppage due to electric troubles

a) Thermostat is out of control

Analysis of Trouble

In case the thermostat does not work in its good order or its temperature sensor has not been installed properly, frequent stoppage is also likely to occur.

Remedy

Try to adjust the temperature sensor's position until the compressor can be started and stopped normally. If this cannot be achieved, and the stoppage still occurs repeatedly, it is most likely that the mechanical parts or contacts are out of order, disassemble the thermostat, make a thorough checkup and repair it.

b) Overload of electric motor

Analysis of Trouble

Probably, too many things have been put into the refrigerator, and hence the thermal load exceeds its refrigerating capacity ; or in case the power supply voltage drops considerably, the current flowing through the motor will increase drastically making the thermal protector actuate and the fuse blown , and hence the motor stops running. If the motor is still running continuously in such a case , its windings will be burned out .

Remedy

Reduce the thermal load, pay attention to the variation in voltage of the power supply.

c) Abnormal thermal protection

Analysis of Trouble

The compressor current is within its normal range, but the thermal protector actuates repeatedly.

Remedy

Replace the thermal protector with a new one.

3) Sudden stoppage due to other causes

Normal Stoppage

Start and stop of the compressor is generally controlled by a thermostat . When the temperature in the refrigerator reaches its desired value, the thermostat will shut down the compressor automatically. Never take this normal operation as a trouble, care should be taken to differentiate it from other real troubles in servicing.

D. Compressor won 't start

In case the compressor cannot be started, you must find out the origins of this trouble through checkup step by step, because probably there are many causes, including those electrical and mechanical.

1) Inspect the power supply to see whether it is connected to the compressor circuit.

Analysis of Trouble

In case the compressor cannot be started, this will generally exhibit in

Maintenance Service and Trouble Shooting

the power supply circuit, for instance, power failure, poor contact of switch, and blown fuse. Make a comprehensive analysis of these phenomena, find out its real cause and take correct measures to remove this trouble.

Remedy

a) Check the input power circuit to see whether there is voltage of the power supply, namely, the circuit which is connected to the knife switch. This can be determined with an avometer or a test pencil. If a blown fuse is found, ascertain and remove its cause, then replace it with a new one of the same specifications.

b) Check the compressor accessories, including its thermal protector and relay. In case the thermal protector is damaged, the compressor cannot be powered on. If the relay is out of order, the motor will not run and hum sound can be heard from it after the compressor is turned on, in that case, shut it down immediately, otherwise, the motor windings will be burned out in case this condition lasts longer.

c) Check the relay contacts and plugs to see if they are perfect and work reliably. Poor contact may cause the motor not running or humming.

2) Check the circuit voltage to see whether it is normal.

Analysis of trouble

If the circuit voltage is obviously lower than its rated value, it will be difficult to start the motor, and a hum sound can be heard from it.

Remedy

Measure the voltage with a voltmeter, if it is really too low, give directions to the user for buying a stabilizer so as to step up the voltage, thus normal operation can be achieved.

3) Check the thermal relay to see whether its contacts are closed.

Analysis of Trouble

The contacts of thermal relay sometimes may be open due to the leakage of temperature sensing agent from the temperature sensor.

Remedy

Remove the relay cover to check up its contacts, if they are open, this means that the original setting is not properly set or temperature sensing agent has leaked out of the temperature sensor. Try to turn the adjusting stem of this value in the direction of the lower temperature graduation, then check the contacts to see whether they are closed. If they are still not closed, dismantle the temperature sensing disc and then immerse it into warm water to see whether the contacts actuate, if not, it can be preliminarily determined that temperature sensing agent has leaked out, and it must be replaced with a new thermostat.

4) Motor troubles and other electric faults

a) Motor windings have been burned or short-circuited between turns

Analysis of Trouble

When motor windings have been burned or short-circuited between turns, the fuse will be blown repeatedly, and the blowout occurs particularly

Maintenance Service and Trouble Shooting

at the instant when you close the knife switch.

Remedy

Check the terminals and the outer casing to see whether they are short-circuited, and measure the resistance of each phase with an avometer. If short circuit occurs or the resistance of a certain phase is low, this means that short circuit does exist in the windings and/or between turns, and insulation layers have been burned or deteriorated. A megameter can be used in this inspection, too. If the insulation resistance is lower than 2 MΩ, this means that the insulation layer is already breakdown. If the motor has been burned, repair it or replaced it with a new one.

b) Fault of control relay

Analysis of Trouble

Overheat, burnout or wear of control relay contacts may occur generally. All these will cause poor contact in electricity.

Remedy

Dismantle it to repair, or replace it with a new one.

c) Poor electric contactor in thermostat

Analysis of Trouble

Burnout of contactor and leakage of temperature sensing agent may occur generally.

Remedy

Replace the old with a new one.

d) Check the terminals for loose connection and electric circuits for other abnormal phenomena.

5) Mechanical faults of compressor

a) Seizing of shaft

This phenomenon is caused mostly by poor lubrication, such as insufficient quantity of lubricant, clogging in the lubricant oil line, or intermittent lubricant oil supply. Dirt and other impurities in the lubricant oil will increase its viscosity and cause the shaft to be seized. Copper plating may also result in seizing of shaft.

b) Seizing of piston

This is caused by too small fit clearance between the piston and cylinder or expansion due to heat.

Judgement of seizing shaft and piston: After the refrigerator has been powered on, the compressor will not start and run, but a slight hum sound can be heard, and several seconds later, thermal protective relay will actuate and make the contacts open; this process will occur repeatedly, but the compressor cannot be started.

E. Compressor won't stop

Sometimes, the compressor will run continuously (for several hours or run without end), If the food placed in the refrigerator is not too much, there may be the following two situations: i) the refrigerator very low, this means

Maintenance Service and Trouble Shooting

that the control system is probably out of order, ii) the control system works normally, and there are troubles in the refrigerating system or other parts.

1) Temperature is set improperly

a) The temperature control knob is set to the “coldest” position. This position is to be used for fast freezing or continuous running, its temperature for power off is too low, therefore, the compressor won't stop and the temperature in the refrigerator becomes lower and lower .

b) Inspection method: check the temperature control knob to see whether it is set in the position “coldest”.

2) Thermostat is malfunctioning and makes the compressor running continuously

Analysis of Trouble

When the thermostat doesn't work normally, it will make the compressor run continuously, and hence very low temperature will be achieved in the refrigerator. The fault is generally due to the fact that the contacts of the thermostat cannot be released.

Remedy

Dismantle the thermostat and make a through checkup, if it is totally out of functioning, replace it with a new one.

3) evaporation temperature is too high in refrigerating system, resulting in lower refrigerating capacity and hence continuous running of compressor

Analysis of Trouble

Leakage of refrigerant and clogging in a refrigerating system will directly affect its refrigerating capacity. Due to the reduction in its refrigerating capacity, the refrigerator temperature cannot reach its rated value, the thermostat won't work, thus the compressor runs continuously. When the evaporation temperature in the system is too high, the temperature sensing agent in the temperature sensor is also hotter, therefore, the thermostat is unable to cut off the power supply to the compressor and stop it.

Remedy

If it has been found that the refrigerant in the system is insufficient in quantity, recharge it with refrigerant. In case clogging occurs, disassemble the part where it is blocked. If the evaporation temperature is too high, settle this problem with an appropriate quantity of refrigerant.

4) No stoppage of compressor due to damaged heat-insulation layer inside case body and/or door seal

Analysis of Trouble

When the heat-insulation layer inside the case body deteriorates or the door seal is not closely touches the door frame, the temperature in the refrigerator will rise and makes the compressor running continuously.

Remedy

Check the heat-insulation layer for its damaged parts, repair it to improve its heat-insulation property. If the door has deformed or the door seal is not tightly sealed against the case body, repair them, respectively.

Maintenance Service and Trouble Shooting

5) Too much food is placed in the refrigerator, or is placed too densely, resulting in poor ventilation or poor conditions for temperature sensing, and hence no stoppage of the compressor.

6) Too high ambient temperature, poorer ventilation and heat dissipation make the compressor running without stop.

F. Electric leakage of refrigerator

1) Slight electric leakage

Electric insulation has deteriorated due to being affected with damp, thus resulting in slight electric leakage.

2) Serious electric leakage

Refrigerator case has become live due to faults occurred in some electric devices or the erroneous wiring in installing power cord plug or outlet by the user. This is very dangerous.

3) Electric leakage test

a) Slight electric leakage

A tingle sense will be experienced as soon as you touch the metal parts of the refrigerator with your hand .When you test them with a test pencil ,its neon lamp will come on .In that case ,the first thing you need to do is to determine whether the grounding is perfect .If the grounding is no problem ,turn off the refrigerator immediately ,then check the insulation of electric circuits with an avometer .

b) Serious electric leakage

Never touch the case body of the refrigerator ,its door handle or other metal parts with your hand .Test the refrigerator with a test pencil ,it will light up intensively ;measure the resistance between the power cord plug and the case body with an avometer ,the reading will be zero (0Ω); in the worst case ,the fuse will be blown .Check the 3-prong outlet to see whether the live wire and the null line are inversely connected ,this makes the ground protection lead-out from the power cord plug being connected to the live wire .Another possibility is that the live wire and null line of the outdoor power supply circuit have been inversely connected accordingly ,this makes the null line become a live wire .

G .Stronger vibration and loader noise

1) Refrigerator placed improperly

a) Uneven ground

Uneven ground will cause the refrigerator to be placed unsteadily ,causing stronger vibration and noise during its operation .

b) Leveling screws not properly adjusted

If the leveling screws on refrigerator legs have not been adjusted properly ,vibration and noise will still occur even if the refrigerator has been placed on a level ground .

2) Abnormal noise from compressor

Maintenance Service and Trouble Shooting

Three suspended springs inside the compressor case are out of balance, and strike against the case, moreover, the wear of compressor parts may cause noise sometimes.

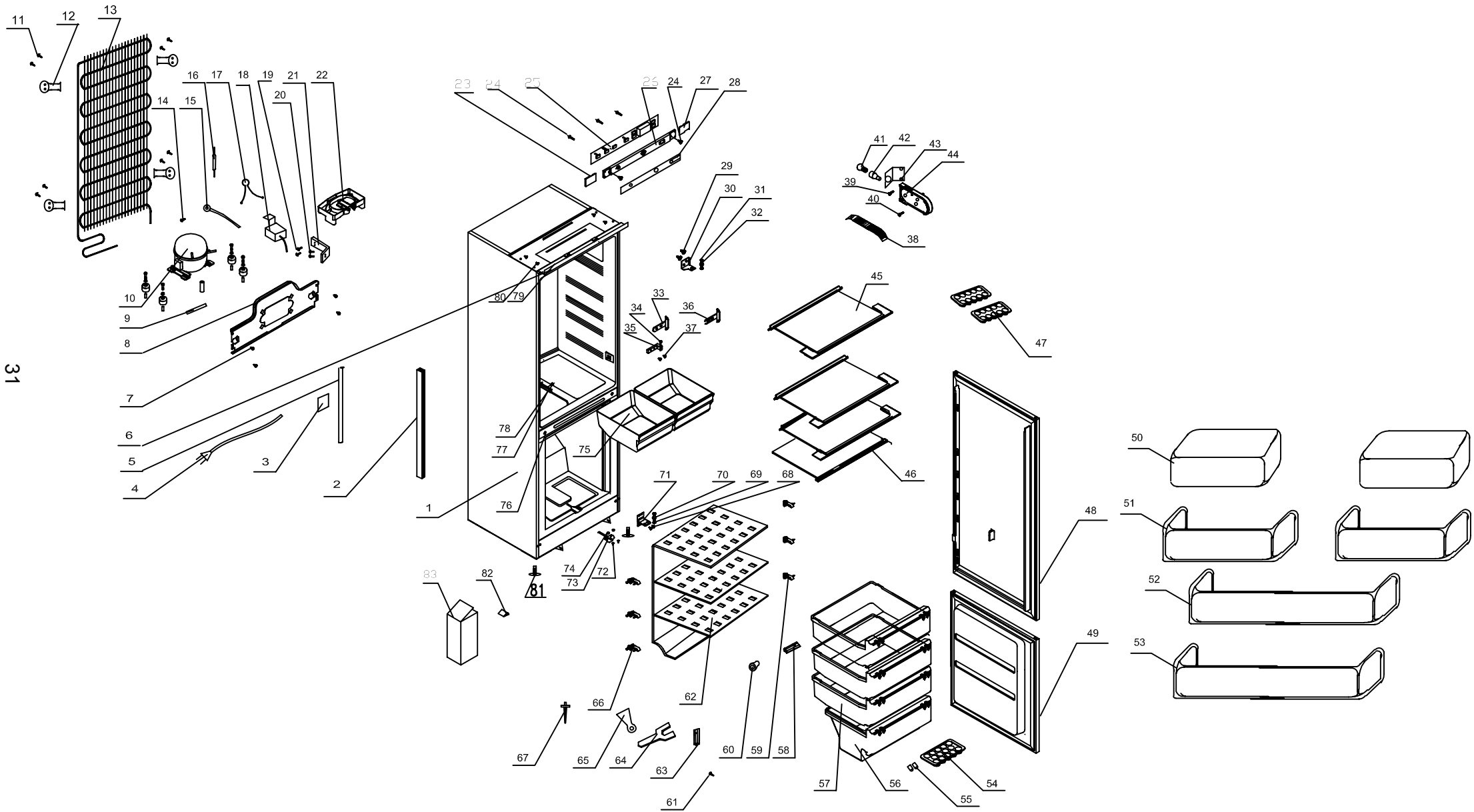
3) Resonance of tubing and loosening of parts

Improper and compact laying of tubes or the loosening of parts may cause vibration and noise.

4) Inspection method

To find the sources of noise, press the vibration spot with your hand while the refrigerator is in operation and listen attentively whether the vibration becomes weaker or vanishes. If the refrigerator has not been levelly placed, put a level meter on its top table and adjust the leveling screws on its legs. In case noise occurs from the compressor, strike different locations on the side surface of its case using a rubber hammer or hand hammer with a wood block in-between so as to determine whether the suspended springs are out of balance or being seized.

Ri551



Haier**Refrigerator****Model:Ri551****Product code:BC05K0E0K00**

No. In the exploded view	Spare parts number	Spare parts description in English	Model	Qty	Failure rate	The proportion of the spare part stock	Remark	related technical bulletin ID number
1	0060805929	Foamed cabinet	Ri551	1	0.00%	0.00%	*	
2	0069941011	Water Drain Tube	Ri551	1	0.00%	0.00%		
3	0060505678	Nameplate	Ri551	1	0.00%	0.00%	x	
4	0060400365A	Power cable	Ri551	1	0.03%	0.03%		
5	0060200859	Soft foam tube	Ri551	1	0.00%	0.00%		
6	0060100098	Up hinge plank	Ri551	1	0.00%	0.00%		
7	0064082608	Screw	Ri551	4	0.00%	0.00%	x	
8	0060804526	Compressor base	Ri551	1	0.00%	0.00%		
9	0060106659	Injection tube	Ri551	1	0.00%	0.00%		
10	0060702363	Compressor and accessories	Ri551	1	1.79%	1.79%	*	
11	0060801078	Screw	Ri551	4	0.00%	0.00%	x	
12	0067412381	Condenser Fitting Washer	Ri551	4	0.00%	0.00%		
13	0060700507	Condenser	Ri551	1	0.00%	0.00%	*	
14	0064098028	Screw	Ri551	1	0.00%	0.00%	x	
15	0069403512	Grounding cable	Ri551	1	0.03%	0.03%		
16	0060702794	Drier filter	Ri551	1	0.00%	0.00%	*	
17	0067402236	Cable clip	Ri551	1	0.00%	0.00%		
18	0060506006	Valve	Ri551	1	0.07%	0.07%		
19	0060802008	Screw	Ri551	2	0.00%	0.00%	x	
20	0060801021	Screw	Ri551	2	0.00%	0.00%		
21	0069301045	Valve base	Ri551	1	0.00%	0.00%		
22	0060207294	Evaporator tray	Ri551	1	0.00%	0.00%		
23	0060204495	Screw cover	Ri551	1	0.00%	0.00%		
24	0064098068	Cross head tapping screw	Ri551	3	0.00%	0.00%	x	
25	0064000003	Controlling panel	Ri551	1	0.39%	0.39%	*	
26	0060200045	Controlling panel base	Ri551	1	0.00%	0.00%		
27	0060205773	Screw cover	Ri551	1	0.00%	0.00%		
28	0060200046	Displaying panel	Ri551	1	0.05%	0.05%		
29	0060802012	Screw	Ri551	2	0.00%	0.00%	x	
30	0060100058	Upper hinge base	Ri551	1	0.02%	0.02%		
31	0064240002	Spring washer	Ri551	1	0.00%	0.00%		
32	0067113077	Upper hinge bolt	Ri551	1	0.00%	0.00%		
33	0060100072	Connection thole1	Ri551	1	0.00%	0.00%		
34	0060806011	Middle hinge washer	Ri551	2	0.00%	0.00%		
35	0060104074	Middle hinge	Ri551	1	0.02%	0.02%		
36	0060600080	Connection thole1	Ri551	1	0.00%	0.00%		
37	0064082716	Screw	Ri551	2	0.00%	0.00%	x	
38	0060202824	Lamp shade	Ri551	1	0.00%	0.00%	*	

No. In the exploded view	Spare parts number	Spare parts description in English	Model	Qty	Failure rate	The proportion of the spare part stock	Remark	related technical bulletin ID number
39	0064098005	Screw	Ri551	2	0.00%	0.00%		
40	0064082915	Cross head tapping screw	Ri551	3	0.00%	0.00%	x	
41	0064000156	Lamp	Ri551	1	0.12%	0.12%	*	
42	0064000277	Lamp holder	Ri551	1	0.00%	0.00%	*	
43	0060101950	Lamp rack	Ri551	1	0.00%	0.00%	*	
44	0060202823	Lamp box	Ri551	1	0.00%	0.00%	*	
45	0060802214	Glasses	Ri551	3	0.07%	0.07%		
46	0060402016	Glass	Ri551	1	0.07%	0.07%		
47	0060203193	Egg holder	Ri551	2	0.00%	0.00%	*	
48	0060811038	Refrigerator foamed door	Ri551	1	0.00%	0.00%	*	
49	0060811039	Freezer foamed door	Ri551	1	0.00%	0.00%	*	
50	0060207167	Bottle guard cover	Ri551	2	0.00%	0.00%		
51	0060207166	Bottle guard	Ri551	2	0.00%	0.00%		
52	0060207168	Bottle guard	Ri551	1	0.00%	0.00%		
53	0060207169	Bottle guard	Ri551	1	0.00%	0.00%		
54	0060211445	Ice box	Ri551	1	0.01%	0.01%		
55	0060200436	Screw cover	Ri551	2	0.00%	0.00%		
56	0060805647A	Short drawer	Ri551	1	0.14%	0.14%	*	
57	0060805646A	Long drawer	Ri551	3	0.14%	0.14%	*	
58	0060147072	Sensor clip	Ri551	1	0.00%	0.00%		
59	0067412091	Right limited tablet	Ri551	3	0.00%	0.00%		
60	0060508018	Lock ring	Ri551	2	0.00%	0.00%		
61	0064098068	Screw	Ri551	22	0.00%	0.00%		
62	0060700686	Evaporator in freeze room	Ri551	1	0.05%	0.05%		
63	0060101420	Link piece	Ri551	1	0.00%	0.00%	x	
64	0060100574	Spanner	Ri551	1	0.00%	0.00%		
65	0060211896	Scrapping frost board	Ri551	1	0.00%	0.00%		
66	0067412090	Left limited tablet	Ri551	3	0.00%	0.00%		
67	00602160227	Unclogging pin	Ri551	1	0.00%	0.00%		
68	0060802007	Screw	Ri551	2	0.00%	0.00%	x	
69	0064240002	Spring washer	Ri551	1	0.00%	0.00%		
70	0067113077	Hinge pivot	Ri551	1	0.00%	0.00%		
71	00601470534	Bottom hinge base	Ri551	1	0.02%	0.02%		
72	0064082811	Screw	Ri551	2	0.00%	0.00%	x	
73	0069941021	Catchments part	Ri551	1	0.00%	0.00%		
74	0067412233	Screw cover	Ri551	2	0.00%	0.00%		
75	0060207061	Vegetable box	Ri551	2	0.01%	0.01%		
76	0060212141	screw cover	Ri551	1	0.00%	0.00%		
77	0067412404	Sensor cover	Ri551	1	0.00%	0.00%		
78	0064082811	Screw	Ri551	1	0.00%	0.00%	x	
79	0060100098	Upper hinge plate	Ri551	1	0.00%	0.00%		

No. In the exploded view	Spare parts number	Spare parts description in English	Model	Qty	Failure rate	The proportion of the spare part stock	Remark	related technical bulletin ID number
80	0060801021	Screw	Ri551	4	0.00%	0.00%		
81	0067042301	Adjustable leveler	Ri551	2	0.00%	0.00%		
82	0060509742D	Manual instructions	Ri551	1	0.00%	0.00%	x	
83	0060509868F	Packing carton	Ri551	1	0.00%	0.00%	x	

1.If the color of the Spare parts number is red, it means that the number has been changed, it should be paid more attention when you place the Spare Parts order to us.

2,The failer rate and the proportion of the spare-part stock are regarded as the reference of the stock for spare-parts; The first time should be stocked accorded with the proportion of the spare-parts, and it should be adjusted with the actual quantity 3 months later.

3,Easy-damaged;The spare-part which is often damaged and the customer must stock in the spare-parts warehouse, and should be marked with "**"

4,Possible damaged: The spare-part which is not often damaged like the easy damaged one and the customer may stock in the spare-part warehouse accord with the actual case, should be marked with " " .

5,Not need provided :The spare-part which is seldom damaged or the maintenance man could not maitmains.The spare parts may be air freighted by the factory if they were damaged. The customer needs not stock in the spare-part warehouse, should be marked with " x " .

6,Above should be improved accord with the reply of the market half a year per time.

Sincere Forever



Haier Group

Tel :86-532-8938356

Web site : <http://www.haier.com>