


® **OPERATION AND
MAINTENANCE MANUAL**

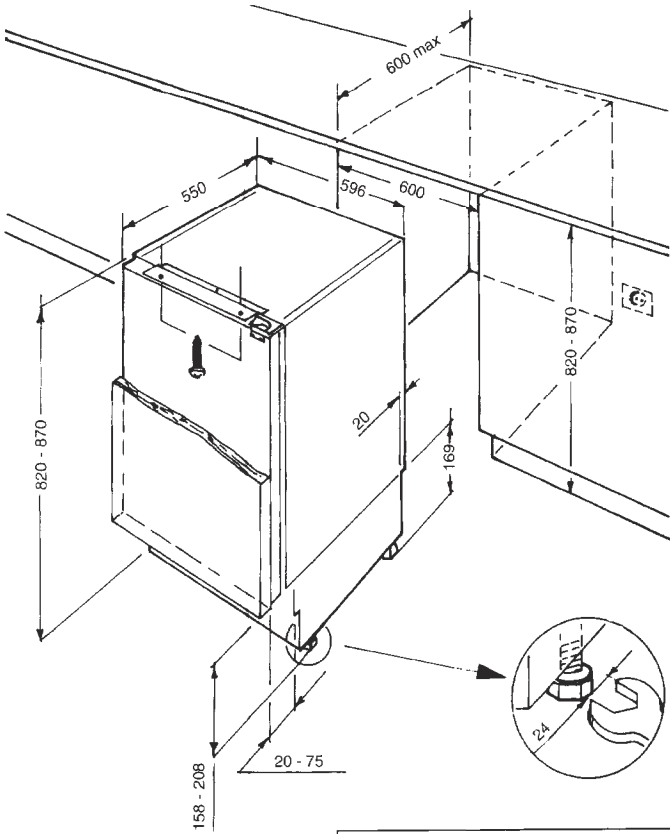


**LARDER FRIDGE RBL1A
FREEZER RBF1A**



The symbol  on the product or on its packaging indicates that this product may not be treated as household waste. Instead it shall be handed over to the applicable collection point for the recycling of electrical and electronic equipment. By ensuring this product is disposed of correctly, you will help prevent potential negative consequences for the environment and human health, which could otherwise be caused by inappropriate waste handling of this product. For more detailed information about recycling of this product, please contact your local city office, your household waste disposal service or the shop where you purchased the product.

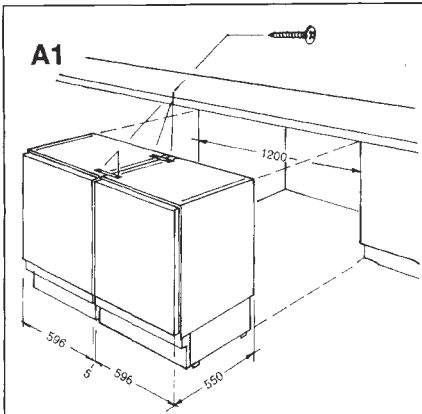
A



Instructions for fitting the refrigerator in

Fig.A-Volume of the under the counter appliance

Fig.A1-Volume of the under the counter appliance in the event of adjacent



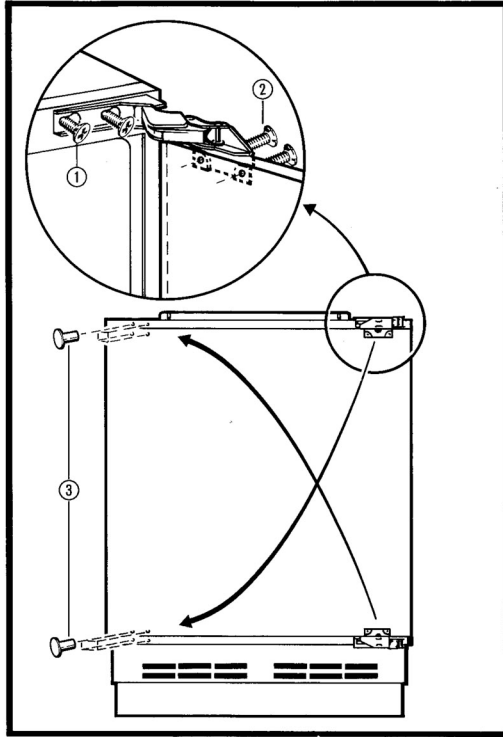
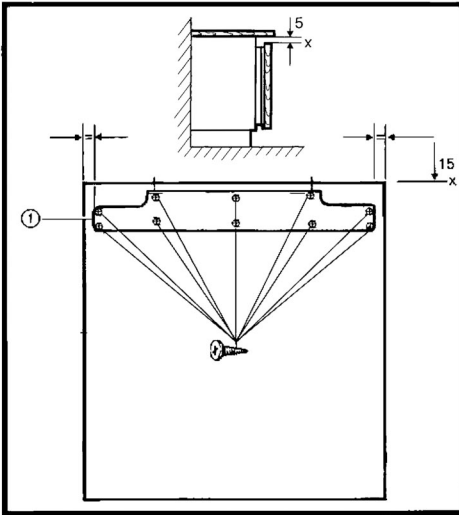


Fig. B

Installing door hinges on opposite side (if necessary)

- Slacken off the retaining screws ① on the appliance (detail, fig. A)
- Lift out the door
- Lever off cover caps ③ with a knife blade
- Insert retaining screws ① on opposite side (screws in for a short distance)
- Remove the door retaining screws ② and relocate the hinges acc. to fig. B
- Locate the door in previously inserted screws ① and tighten the screws.
- Insert cap plugs ③ in the exposed holes.



Installing decor panels

- Screw mounting bracket ① on to decor panel with enclosed screws, as shown in fig. C.

Fit the correct side towards the hinges.

Gap 15 is designed to provide 5 mm clearance between the underside of the worktop and upper edge X of the decor panel.

Use a Phillips screwdriver for the Phillips-head screws.

- Screw the four adjusting pins ② fully into the appliance door.

- Position the decor panel on the appliance door, introduce the locating pins at top into the slots in the mounting plate and open out according to detail fig. C1 (about 9 mm).

Fig. C

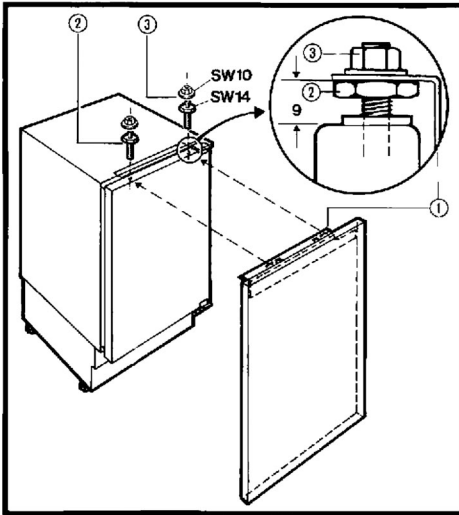


Fig. C1

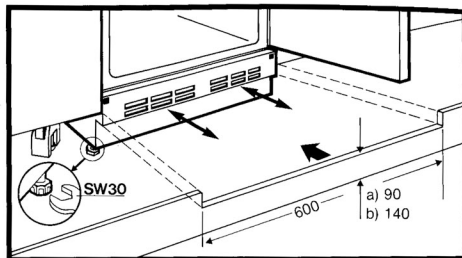


Fig. D

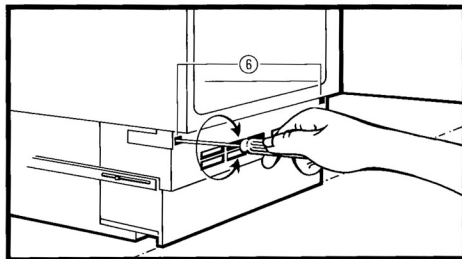


Fig. D1

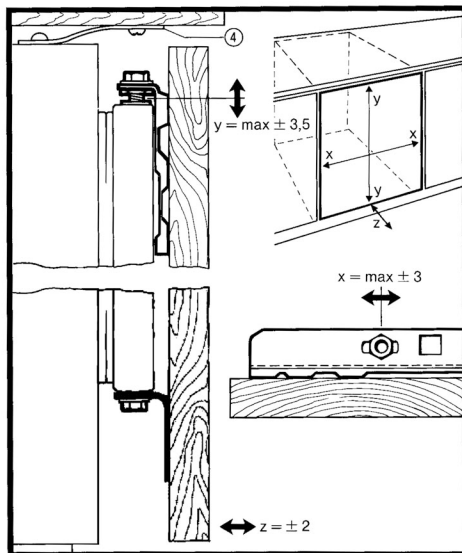


Fig. D2

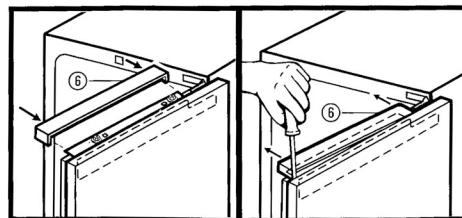


Fig. D3

Fig. E

Installing under worktop

● **820 mm installed height:** push appliance into the niche. Only adjust its height at the adjustable feet if necessary, using a 30 mm open-ended wrench or size 2 screwdriver. Level out the appliance.

● **870 mm installed height:** open out the adjustable feet by app. 50 mm and level out the appliance.

● Push the appliance into the niche until the decor panel lies flush with adjacent furniture items; adjust at the feet if necessary.

● Pre-adjust the appliance at slots ④ (fig.D2) in the mounting plate on the worktop.

Adjusting plinth depth

● Lift out the decor panel.

● Grip the plinth at the ventilation grille and align until flush with adjacent furniture items, or join up to the continuous plinth if fitted. Cut away the continuous plinth trim as illustrated for ventilation.

Never cover over the ventilation slots.

● Attach the appliance plinth at screws ⑤ (turn screws clockwise until considerable resistance is felt).

● To adjust the plinth height, turn the screws anticlockwise through app. 8 to 10 revolutions.

Adjusting decor panel

● Position the decor panel on the appliance. Open loose locking nuts.

● **Adjust height Y** at locating pin (14 mm wrench) as shown in fig. D2, $Y = \max. \pm 3,5$ mm

● **Adjust side measurement X** at slots on mounting bracket at top, $X = \max. \pm 3$ mm.

● Open out lower locating pins until contact is made with the mounting plate. Secure with locking nuts.

● If necessary, adjust the alignment of the lower decor panel edge at 10 x 12 hole in mounting bracket, $Z = \pm 2$ mm. Then tighten locking nuts again.

● Push on cover trim ⑥ and engage (to remove, lever out the trim strip with a screwdriver as illustrated).

● When aligned, secure the appliance to the worktop at retaining slots.

Important

The cover trim ⑥ must be fitted as this turns off the light when the door is closed.

Dear customer,

Thank you for purchasing this high quality product, designed and manufactured to satisfy all up-to-date requirements and guarantee prolonged lifetime in keeping with all your expectations.

CONTENTS

Cautions	page 7
Warnings and important information	page 9
Installation	page 10
Operation and functions	page 11
How to dispose of the packing material	page 14

Electrical Safety Instruction

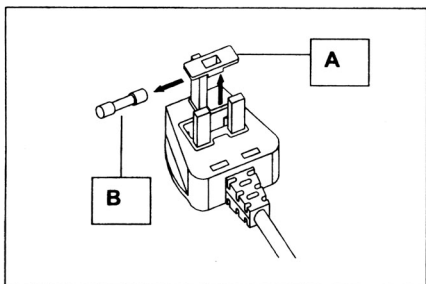
WARNING !
THIS APPLIANCE MUST BE EARTHED.

IF THE MAINS LEAD OF THE APPLIANCE IS FITTED WITH A PLUG:

FUSE REPLACEMENT

If the mains lead of this appliance is fitted with a BS 1363A 13 amp fused plug, to change a fuse in this type of plug use a A.S.T.A. approved fuse to BS 1362 type and proceed as follow:

1. Remove the fuse cover (A)
2. Remove the fuse (B)
3. Fit replacement fuse into plug
4. Refit the fuse cover



IMPORTANT:

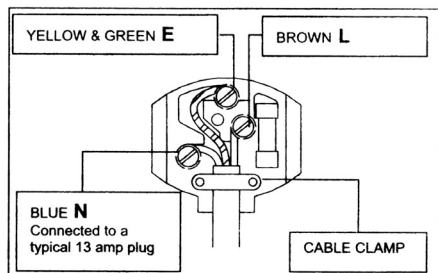
The fuse cover must be refitted when changing a fuse and if the fuse cover is lost the plug must not be used until a correct replacement is fitted. Correct replacements are identified by the colour insert or the colour embossed in words on the base of the plug. Replacement fuse cover are available from your local electrical store.

CONNECTION TO A REWIREABLE PLUG

If the fitted plug is not suitable for your socket outlet, then it should be cut off and disposed of in order to avoid a possible shock hazard should it be inserted into a 13A socket elsewhere. A suitable alternative plug should then be fitted to the cable.

The wires in this mains lead are coloured in accordance with the following code:

BLUE	"NEUTRAL"	(N)
BROWN	"LIVE"	(L)
YELLOW & GREEN	"EARTH"	(E)



1. The YELLOW & GREEN wire must be connected to the terminal in the plug which is marked with the letter E
or by the Earth symbol \equiv
or coloured **green** or **yellow & green**
2. The BLUE wire must be connected to the terminal which is marked with the letter N
or coloured **black**
3. The BROW wire must be connected to the terminal which is marked with the letter L
or coloured **red**

Disposal of the old appliance

Before disposing an old appliance, please make sure it's inoperative and safe. Unplug the appliance and remove or destroy all of the springs, latches, or bolt-locks in order to avoid the risk of child entrapment.

It must be noted that the refrigeration system contains insulating gases and refrigerants, which require specialized waste disposal. The valuable materials contained in a refrigerator can be recycled. Contact your local waste disposal center for proper disposal of an old appliance and contact your local authority or your dealer if you have any question. Please ensure that the pipe work of your refrigerator does not get damaged prior to being picked up by the relevant waste disposal center, and contribute to environmental awareness by insisting on an appropriate, any-pollution method of disposal.

Disposal of the packaging of your new appliance

All the packaging materials employed in the package of your new appliance may be disposed without any danger to the environment.

The cardboard box may be broken or cut into smaller pieces and given to a waste paper disposal service. The wrapping foil is made of polyethylene and the polyethylene pads and stuffing contain no fluorochloric hydrocarbon.

All these valuable materials may be taken to a waste collecting center and used again after adequate recycling.

Consult your local authorities for the name and address of the waste materials collecting centers and waste paper disposal services nearest to your house.

Safety Instructions and Warnings

Before starting the appliance, read the information given in the User's Guide carefully. The User's Guide contains very important observations relating to the assembly, operation and maintenance of the appliance.

Keep the User's Guide in a safe place and remember to hand it over to the subsequent owner, if you ever sell the appliance.

The manufacturer does not accept responsibility for any damages that may arise due to non-observation of the following instruction.

*Damaged appliances are not to be put into operation. In case of doubt, consult your supplier.

Cautions

- *Connection and installation of the appliance are not to be carried out in strict compliance with the relative instructions set forth in the Use's Guide.
- *For the purpose of safety ,the appliance must be properly grounded in accordance with specifications.
- *Always remember to unplug the appliance before cleaning.To disconnect the appliance, pull at the plug itself not the cord.
- *Keep alcoholic beverages in airtight bottles or containers and always store in an upright position. In addition, do not store any explosive substances inside the appliance-**Danger of explosion!**
- *Do not damage any parts of the appliance that carry refrigerant by piercing or perforating the refrigerant's grooves with sharp or pointed items,crushing or twisting any tubes, or scraping the coatings off the surfaces. If the refrigerant spurts out and gets into eyes, it may result in serious eye injuries.
- *Do not obstruct or cover the ventilation grille of the appliance.
- *Do not allow children to play with the appliance. In no case should children be allowed to sit on the drawers or hang onto the door.
Should you have bought your new fridge / freezer to replace an old appliance, please make sure that all existing latch-or bolt-locks on the old appliance are destroyed, before you dispose of it.
This will ensure that a child cannot get trapped inside.
Please have the old appliance ecologically disposed of by a company specialised in environmental protection, since the appliance may contain harmful components in the refrigerant and this must be removed with special equipment.Please check with your dealer or with your local authority.
Make sure that the refrigerating system containing the refrigerant,especially the heat exchanger at the back of the appliance,is not damaged during transportation to the disposal or collection site,so that you can be sure that the refrigerant does not leak out.
Details concerning the type of refrigerating/isolating agent used can be found on the appliance's rating plate.
- *Warning: Keep ventilation openings in the appliance enclosure or in the structure for building in ,clear of obstruction.
- *Warning: Do not use mechanical devices or other means to accelerate the defrosting process, other than those recommended by the manufacturer.
- *Warning: Do not damage the refrigerant circuit.
- *Warning: Do not use electrical appliances inside the food storage of the appliance.
- *It is necessary to have the plug accessible after installation.
- *If the supply cord is damaged, it must be replaced by a supplied cord or assembly available from the manufacturer or its service agent.
- *Connection of power supply and installation should be conducted in accordance with the instructions in the operation manual.
- *Only the tools regulated by the manufacturer can be used for defrosting.

Specifications

- *This appliance is designed for food refrigeration, ice making and frozen food storage.
- *It is intended strictly for household use. If using it for industrial or commercial purpose , be sure to observe the relevant norms and regulations.
- *The refrigerating circuit is leak-proof.

WARNINGS AND IMPORTANT INFORMATION

Always keep this instruction booklet together with the appliance for future consultation.

In the event of resale of the appliance or change of ownership, ensure that the instruction booklet is supplied with the appliance so that new owner is fully aware of all instructions and warnings present in this document.

These warnings have been drawn up to ensure the safety of the user and others.

Therefore read all instructions carefully prior to appliance installation and use.

- Disconnect the mains plug before carrying out any cleaning or maintenance operations (e.g. lamp replacement on relevant models).
- This appliance has been designed to be used exclusively by adults.
Ensure that children do not play near or with the appliance.
All modifications to the electrical mains to enable appliance installation must be carried out by a qualified technician.
- On completion of installation, check that the appliance is not standing on the power cable.
- Domestic refrigerators and/or freezers are designed exclusively to store and/or freeze foodstuffs.
- During normal operation, the condenser and compressor, located at the rear of the appliance can reach high temperatures; ensure that installation is carried out according to the instructions contained in this booklet. Insufficient ventilation will impair operation and damage the appliance. Never cover or obstruct the ventilation slats on the appliance.
- Never allow children to play with the appliance. Children must never be allowed to sit on the drawers or hang on the appliance doors.
- Never use the base, drawers, doors etc. to stand on or as supports.
- If the appliance is transported in a horizontal position, the oil in the compressor may flow into the refrigerant circuit.
- Leave the appliance standing vertically for at least two hours before switching it on, to ensure that oil flows back into the compressor.
- All refrigerators and freezers have surfaces that are subject to the formation of frost. Depending on the model, this frost can be removed automatically (automatic defrosting) or manually when necessary. Never attempt to remove frost with sharp objects as this may damage the evaporator and impair efficient appliance operation. Let the frost thaw naturally; never use hot water.
- Never put sparkling drinks or bottles of water in the low temperature compartments (freezer/cooler) as they can explode.
- We strongly advise against putting hot liquids or food in the refrigerator or filling ridded containers to the maximum capacity.
- Never carry out any modifications to your appliance.
- Never attempt to repair the appliance alone. Repairs carried out by unqualified persons can cause serious damage; always contact your nearest Service Centre and use original spare parts only.
- The refrigerant and insulation in this appliance do not contain any gases harmful to the ozone or which contribute to the greenhouse effect. However, disposal must be carried out in compliance with the relative standards regarding protection of the environment.
- Units may be supplied with R134a refrigerant or with ISOBUTANE (R600a). In any case the label inside the unit shows the type of refrigerant used. All units must be transported and installed with the utmost care

since any excessive knocking or shaking could damage the refrigerating circuit.

- Failure to comply with the above mentioned requirement may result in the unit not being able to function either with R134a or R600a. Furthermore, **in the presence of R600a, any damage to the refrigerating circuit could lead to the risk of explosion caused by outside sparks or flames.**
In the event of damage, contact the nearest Service Centre, ventilate the room where

the machine is located and avoid exposure to flames or any repair work on the unit.
Caution - Do not use electrical equipment inside the food storage compartment.

- The side panels and door on the appliance are protected by a transparent polythene film. This film must be removed prior to installation. The film guarantees intact finished surfaces of the appliance and prevents scratches or other damage during transport. Simply remove by hand and dispose of as recyclable plastic material.

INSTALLATION

Positioning

Position the appliance away from sources of heat such as stoves, radiators, direct sunlight etc. Maximum performance and safety are guaranteed by maintaining the correct room temperatures for the class of unit concerned, as specified on the rating plate.

Category	Ambient Temperature
SN	From +10°C to +32°C
N	From +16°C to +32°C
ST	From +18°C to +38°C
T	From +18°C to +43°C

Appliances must not be exposed to rain. Sufficient air must be allowed to circulate in the lower rear section of appliances, as poor air circulation can affect performance. Built-in appliances should be positioned away from heat sources such as heaters and radiators and out of direct sunlight.

Electrical connection

Before connecting the appliance to the power supply, ensure that the voltage and frequency as indicated on the dataplate correspond to those of the electrical mains.

A deviation of - 6°C to + 6°C is admissible with respect to the rated voltage. For operation with other voltage supplies, an adequately powered auto-transformer is required.

Always connect the appliance to an efficient earthing system.

For the above, if the mains supply is not earthed, connect the appliance to a separate earthing system. Consult a specialised technician to carry out the latter in compliance with current standards. The manufacturer declines all responsibility for failure to observe the above accident prevention standards. This appliance complies with the following EC directives:

B.T. 73/23/CEE
93/68/CEE

Cleaning the interior prior to use

Prior to use, clean all internal parts with warm water and neutral detergent to remove the "new" odour and dry thoroughly. Never use abrasive detergents and/or powders which can damage the finish.

OPERATION AND FUNCTIONS

Operation - Temperature regulation

To switch on the appliance, turn the thermostat knob clockwise from "●" (stop) to the required cooling temperature:

- low numbers = less cool
- high numbers = cooler

Freezers can be fitted with indicator lights as follows: orange light for continuous, functioning, green light for normal functioning, red alarm light when the temperature is too high. The internal appliance temperature is maintained constant automatically. An intermediate thermostat setting is generally recommended.

- At higher thermostat settings with high ambient temperatures and a large amount of stored food, operation may be continuous with the formation of frost or ice on the cooler walls.
- In this case, position the thermostat knob at a lower setting, on some models defrosting is automatic while models with an ice cube compartment or with the (**) - (***) - * (***) symbols and freezers have to be manually defrosted (see instructions). This will ensure correct functioning of the appliance and also save on your electricity bill.

Storing food and drink

For optimal use of the refrigerator compartment observe the following instructions:

- Never put hot liquids or food in the refrigerator while evaporating;
- Cover or wrap food prior to storage (food containing spices in particular);
- Arrange food so that air can circulate freely inside the compartment.

Meat (all types): wrap in protective material and store up to 1-2 days maximum.

Cooked food, cold meals etc. must be covered well and stored in any position in the

refrigerator.

Fruit and vegetables should be cleaned and stored in the relative drawer.

Bananas, potatoes, onions and garlic **should not be stored** in the refrigerator unless prewrapped.

Food shelves

The walls of the cold storage area are equipped with guides to enable insertion of the grids or shelves in various positions as required.

Positioning inner door trays

Inner door trays can be inserted in various positions. To change the position proceed as follows:

Pull the tray up out of its seat and refit in the new position.

The upper tray can be removed to ensure thorough cleaning when required.

Storing frozen food/freezing fresh food

Appliances with compartments with the (**) symbol can be used to store frozen food for a maximum time of one month. Appliances with the (***) symbol are suitable for storing frozen food but not for freezing fresh food, while appliances with the * (***) symbol are suitable for both uses.

- To store frozen food, ensure that it has previously been stored correctly by the retailer.
- The interval between purchase and placing the food in the freezer should be the minimum possible.
- Never exceed the storage period indicated on the food packaging.
- Only open the freezer door when necessary and as briefly as possible.

In the event of operation after prolonged periods of disuse, switch on the appliance under no-load conditions for 2-3 hours taking care to set the thermostat knob to the highest setting, then place food in the refrigerator as required and adjust the thermostat knob to

an intermediate setting.

Appliances with compartments which have no symbol, are UNSUITABLE for freezing fresh foods and for storing frozen foods.

IMPORTANT

- If food stored in the freezer compartment is unintentionally defrosted, e.g. due to a power failure, it should be consumed within a short interval even if not completely thawed. The food may also be refrozen after being cooked (*** ** *** appliance).
- Brief interruptions (up to 6-8 hours) do not affect frozen food.

Ice

The appliance is supplied with an ice tray. Fill with drinking water and place in the freezer. Never use metal and/or sharp objects to detach the tray from the compartment.

Defrosting food

For optimal cooking results with frozen food, we recommend defrosting in the refrigerator or at ambient temperature, the latter obviously requiring less time.

If you need to save time and cook food in the shortest time possible, small items can be cooked directly from frozen by lengthening the cooking time slightly. Normal sized items can be defrosted in a microwave oven.

Freezing fresh food

If the quantity of fresh food does not exceed 1-2 kg no adjustment to the thermostat knob is necessary. To freeze larger quantities use the switch on the control panel: an orange light (continuous function) will come on and after 24 hours you can put the food in to freeze. After another 24 hours put the switch back on the normal position (orange light off and green light on).

During this time the red temperature alarm light might turn on; it will turn off automatically when the fresh food starts to get very cold. When the red light turns off this does not mean that the food is frozen.

Tips for optimal freezing

- Put food to be frozen in the top drawer (the coolest area of the freezer).
- The dataplate specifies the maximum quantity of fresh food that can be frozen in 24 hours. Quantities exceeding this amount will result in unsatisfactory freezing and food quality.
- Ensure that food to be frozen is optimal quality and clean and dry thoroughly before placing in the freezer.
- To enable reduced defrosting times and enable freezing of smaller items divide the food into small portions wrapped in suitable protective material (foil or freezer bags). The wrapping must not let out air or humidity to prevent food from drying and loss of vitamins. Bags and/or foil must be pliable to adapt correctly to the food.
- We recommend marking each item or on specific labels the date of freezing and the expiry date.
- You will find a diagram depicting animals and food on the freezer counter-doors, indicating for how many months it is possible to keep them in the freezer. This is only applicable if freezing was done properly and the food was fresh.
- Never place liquids and/or sparkling drinks in hermetically sealed containers in the freezer compartment as they can explode.

Defrosting the appliance

Frost on the inner cooling walls of the refrigerator is eliminated automatically every time the motor compressor is shut down. Water from melted frost is collected by means of a channel which leads to a tray installed above the motor compressor at the rear of the unit. Heat generated by the motor compressor ensures evaporation of the water.

If the above does not occur, set the thermostat to a lower setting.

Periodically clean the defrost water drain outlet (at the centre of the tray) in the refrigerator compartment.

Frost should be removed from the [***] freezer compartment once it reaches a thickness of over 3-4 mm. If, on the other hand, a layer of ice has formed then defrost it completely following the freezer defrost instructions.

Never use metal objects or anything that is pointed to remove the ice as it could damage the appliance irreparably.

[**] / [***] Freezer defrosting

- 24 hours before defrosting, turn the thermostat knob to the maximum setting on the [**] appliance and turn on the continuous mode switch (orange indicator light) on the [***] appliance. This ensures sufficient cooling of food and preparation to empty the compartment.
- Remove the frozen items (food in the refrigerator compartment of the [***] appliance must also be removed) and store in a cool and dry place to prevent rapid defrosting.
- Disconnect the power supply and set the thermostat knob to "●"
- Leave the appliance door ajar, the freezer has a channel through which the melted ice will drip into a container (of any kind). Appliances with an internal compartment have a shelf that separates the compartment from the rest of the refrigerator; this shelf has a hole through which the water can drip into a container that you must put underneath. Once it has defrosted completely, clean it thoroughly and then put the shelf back in place.
- On completion of defrosting, clean the appliance interior with warm water and a little vinegar and dry thoroughly. Reconnect the appliance to the power supply and set the thermostat knob to maximum. Put the food back into the freezer and after two or three hours reposition the thermostat knob at the normal setting.

Refrigerator lamp

- The central section of the thermostat box is fitted with a lamp for internal lighting. If replacement is required, disconnect the

appliance from the power supply, remove the protection grille from the thermostat unit and unscrew the lamp. Replace with a version with the same voltage, refit the grille on the thermostat unit and connect up to the power supply.

Periods of disuse

- In the event of prolonged periods of disuse, clean thoroughly after emptying, disconnect the appliance from the power supply and leave the door ajar to avoid the formation of unpleasant odours.

TROUBLESHOOTING

Defective operation of the appliance is not always due to a technical fault but is often caused by incorrect installation or use. To avoid unnecessary technical assistance and relative expenses we recommend the following procedures.

1. Internal temperature is not sufficiently cool.

Check:

- that the door closes properly;
- that the thermostat setting is correct;
- that the refrigerator is not positioned close to heat sources;
- that air can circulate freely at the rear of the appliance
- that the freezer door is closed properly;
- that ice in the freezer does not exceed specifications.
- that the condenser is clean.

2. Internal temperature is too low

Check:

- that the thermostat setting is correct.

3. Excessive appliance noise level

Check:

- that the appliance is levelled correctly.

4. Appliance operation failure

Check:

- that the thermostat is not set to "●";
- the green indicator light is on (when fitted)
- that the power supply is not disconnected;
- that the plug is inserted correctly into the mains socket;
- that the automatic cut-out on the mains line has not tripped or that a fuse has blown;
- that the power cable is not faulty.

5. Internal lamp does not work

Check:

- that the appliance is switched on. Otherwise disconnect the plug from the mains socket, remove the protection grille from the thermostat unit and check that the light is tightened correctly. Replace any defective light bulbs with a new 15W bulb that has the same voltage as that indicated on the dataplate inside the unit.

6. Presence of water at the base of the refrigerator

Check:

- that the water drain outlet at the rear is not obstructed. Clean if necessary.

NOTE

Should the power cable need to be replaced, remove the plug from the power socket and install the new cable, which must be requested from the Service Centre; ensure that it is properly connected and fixed.

If problems persist following the above procedures, contact your nearest Technical Assistance department as indicated on the guarantee or relative list. Specify the nature of the fault, appliance model and serial number.

HOW TO DISPOSE OF THE PACKING MATERIAL

The packing material is recyclable.

The following procedure is recommended:

- dispose of paper, card and carton in the relative containers;
- dispose of plastic in the relative containers.
- If you have no recycling bins in your area then you can put this material in the ordinary bins and/or take it to the appropriate collection centres.

Identifying different types of plastic

To facilitate the recycling of plastics you will find symbols identifying the type of material used to make a particular item.

Identification examples:

- PS: Polystyrene, which can also be the foamed type (normally used for packing)
- PE: Polyethylene
- PP: Polypropylene
- ABS
- SAN

