



*INSTALLATION AND OPERATING
INSTRUCTION BOOKLET*

T60BUCHSS3

BUILT UNDER COOKER HOOD

**IMPORTANT: You must read this instruction Book
before installing or using this appliance and retain
it for future use.**

**Caple Products
Telephone 0870 2411142
Facsimile 0117 982 6878**

YOUR NEW COOKER HOOD

Dear Customer

These instructions are designed to help you get to know your new cooker hood quickly and to achieve the best possible results.

It is most important that this instruction book should be retained with the appliance for future reference. Should the appliance be sold or transferred to another owner, or should you move house and leave the appliance, always ensure that the book is supplied with the appliance in order that the new owner can be acquainted with the functioning of the appliance and the relevant warnings. Please ensure that you have read the whole instruction book before using the appliance and that you follow the recommendations given.

| CONTENTS | | Page |
|----------------------------------|--|-------------|
| Your New Cooker Hood | | 2 |
| Contents | | 2 |
| Safety Warnings | Installer | 3 |
| | User | 3 |
| Installation Instructions | Technical Information | 4 |
| | Electrical Connections | 4 |
| | Electrical Requirement | 4 |
| | Electrical Connection | 4 |
| Installation Instruction | General | 5 |
| | Unpacking | 5 |
| | Positioning | 5 |
| Installation Instruction | Fixing the Cooker Hood into the Canopy | 6 |
| | Extraction (Ducted) | 6 |
| | Recirculation (Filtered) | 6 |
| Operating Instructions | Electrical Connection | 7 |
| | Worktop Lighting | 7 |
| | Fan | 7 |
| Maintenance and Cleaning | Controls | 8 |
| | Electrical Connection | 8 |
| | Worktop Lighting | 8 |
| | Cleaning | 8 |
| | Grease Filter | 8 |
| | Synthetic Grease Filter | 8 |
| | Metal Grease Filter | 8 |
| | Before Calling a Service Engineer | 9 |
| | Requesting Service | 9 |
| Drawings | | 10 |

SAFETY WARNINGS

These warnings are provided in the interests of safety. Ensure you read and understand them all before installing or using this appliance.

INSTALLER

- Any installation work must be undertaken by a qualified electrician or competent person.
- This cooker hood must be installed in accordance with the installation instructions and all requirements must be adhered to.
- If the cooker hood is installed for use above a gas appliance then the provision for ventilation must be in accordance with the Gas Safety Codes of Practice BS.6172, BS.5440 and BS.6891 (Natural Gas) and BS.5482 (LP Gas) 1994, the Gas Safety (Installation & Use) Regulations, the Building Regulations issued by the Department of the Environment, the Building Standards (Scotland) (Consolidated) Regulations issued by the Scottish Development Department.
- The fan motor of this cooker hood incorporates a cut-out device, which will operate if the cooker hood is installed below the minimum heights recommended in this booklet, or if the fan motor becomes overheated. If the cut-out device is activated, switch off the fan motor and allow the cooker hood to cool. The cut-out device will reset itself when the fan motor has cooled sufficiently.
- It is dangerous to alter the specifications or modify this product in any way.
- When installed between adjoining wall cabinets the wall cabinets must not overhang the hob.
- If the room where the cooker hood is to be used contains a fuel-burning

appliance such as a central heating boiler then it's flue must be of the room sealed or balanced flue type.

- If other types of flue or appliance are fitted, ensure that there is an adequate supply of air to the room.
- When the cooker hood is used in conjunction with appliances supplied with energy other than electricity, the negative pressure in the room must not exceed 0.4mbar to prevent fumes being drawn back into the room by the hood.
- The ducting system for this appliance must not be connected to any existing ventilation system, which is being used for any other purpose.
- Do not install above a cooker with a high level grill.

USER

- This cooker hood is designed to be operated by adults. Children should not be allowed to tamper with the controls or play with the appliance.
- This product is for domestic use only.
- Never leave frying pans unattended as overheated oils and fats might catch fire.
- Never do flambé cooking under this cooker hood.
- Do not leave naked flames under this hood.
- This cooker hood could be a fire hazard if the grease filter and charcoal filters are not replaced as recommended.

INSTALLATION INSTRUCTIONS

TECHNICAL INFORMATION

It is dangerous to alter the specification or attempt to modify this cooker hood in any way.

DIMENSIONS

| | |
|-------------------------|--------------|
| Height | 204mm |
| Width | 522 or 702mm |
| Depth | 284mm |
| Ducting Spigot Diameter | 120mm |

| | | |
|-------------------|--------------|--------|
| DL/BUCHP3 | Gross Weight | 5.40kg |
| | Nett Weight | 4.40kg |
| T60BUCHSS3 | Gross Weight | 5.60kg |
| | Nett Weight | 4.50kg |
| T80BUCHSS3 | Gross Weight | 6.60kg |
| | Nett Weight | 5.50kg |

DLIBUCHP3

POWER CONSUMPTION

| | |
|--------------|------|
| Total | 190W |
| Fan | 110W |
| Lamp (2x40W) | 80W |

PERFORMANCE

| | | | |
|-------------|----------|----------|----------|
| Speed | <u>1</u> | <u>2</u> | <u>3</u> |
| Capacity | 120 | 190 | 280 |
| Capacity | 33 | 53 | 78 |
| Pressure | 15 | 19 | 23 |
| Input W | 45 | 65 | 95 |
| Noise Level | 47 | 50 | 56 |

T60BUCHSS3 and T80BUCHSS3

POWER CONSUMPTION

| | |
|--------------|------|
| Total | 220W |
| Fan | 140W |
| Lamp (2x40W) | 80W |

PERFORMANCE

TABLE

| | | | |
|-----------------|----------|----------|----------|
| Speed | <u>1</u> | <u>2</u> | <u>3</u> |
| Capacity M3 /h | 150 | 230 | 360 |
| Capacity lt/sec | 42 | 64 | 100 |
| Pressure HZO | 16 | 21 | 24 |
| Input W | 60 | 90 | 140 |
| Noise Level | 49 | 54 | 58 |

ELECTRICAL CONNECTIONS

WARNING: DOUBLE INSULATED DO NOT EARTH

ELECTRICAL REQUIREMENTS

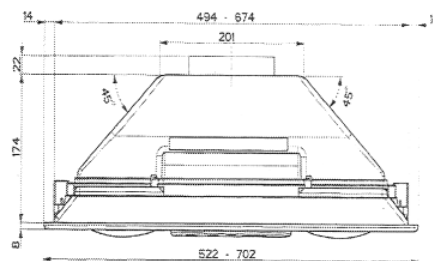
Any permanent electrical installation must comply with the latest I.E.E. Regulations and local Electricity Company regulations. For your own safety this should be undertaken by a qualified electrician e.g. your local Electricity Company, or a contractor who is on the role of the National Inspection Council for Electrical Installation Contracting (NICEIC).

ELECTRICAL CONNECTION

Before connecting to the mains supply ensure that the mains voltage corresponds to the voltage on the rating plate inside the cooker hood.

This appliance is fitted with a 2-core mains cable and must be permanently connected to the electricity supply via a double-pole switch having 3mm minimum contact gap on each pole. A Switch Fuse Connection Unit to BS.1361 Part 4, fitted with a 3A fuse is a recommended mains supply connection accessory to ensure compliance with the Safety Requirements applicable to fixed wiring instructions.

This appliance conforms to BS.800:1988 and EEC Directive 78:308 regarding suppression of radio and television.



NOTE: CE Marking certifies that this appliance complies with the requirements laid down in EEC Directive 89:336 (Electromagnetic Compatibility and subsequent modifications; EEC Directive 73/23 (Low Voltage) and any subsequent modifications.

INSTALLATION INSTRUCTIONS

GENERAL

This cooker hood has been designed for use fixed into a chimney housing, which should be constructed from fire retardant materials and should be installed in accordance with the following instructions.

The cooker hood can be used to duct odors to the outside or to filter the air within the kitchen. It will not remove steam and condensation. If it is used to filter the air within the kitchen it will be necessary to order a pack of two (optional) charcoal filters, (Part CAP11).

The installation instructions which follow, give instructions on how and where the hood may be fitted. If already installed check with the installer that all the requirements have been met. If not then draw these to the attention of the installer who should be a qualified electrician or a competent person.

The manufacturer disclaims all liability for any damage or injury caused as a result of not following the instructions contained in the following text.

UNPACKING

Before unpacking the cooker hood position the carton with the arrows pointing upwards as illustrated on the carton. Care should be taken when unpacking the cooker hood to ensure that the items supplied below are not thrown away with the box.

- 1 No. Instruction booklet.
- 1 No. Filter order form.
- 10 No. Fixing screws.
- 1 No. 120mm diameter ducting spigot.

POSITIONING

Please ensure that when the appliance is installed it is easily accessible to an engineer in the event of a breakdown.

All installations must comply with the local authorities requirements for the discharge of exhaust air.

Incorrect installation may effect the safety of this cooker hood. The cooker hood is designed to be fitted over a cooking appliance at the clearance heights stated, provided the maximum output of the hob beneath does not exceed 7KW for electric and 10KW for gas. If the output of the appliance below the cooker hood exceeds the maximum outputs quoted, please refer to the cooker manufacturer's installation instructions.

A minimum height of 650mm is required when installed above an electric hob, or 700mm when installed above a built-in gas hob.

This cooker hood is not suitable for installation above a cooking appliance with a high-level grill.

When installed between adjoining wall cabinets, the wall cabinets must not overhang the hob and the distance between the underside of the cabinet and the worktop must be 450mm. If the height of the wall cabinet is less than 450mm a gap of 50mm must be maintained either side of the hob.

Before fixing the cooker hood into a chimney housing ensure it is firmly fixed to the wall in accordance with the manufacturers instructions.

INSTALLATION INSTRUCTIONS

FIXING THE COOKER HOOD INTO THE CANOPY

The cooker hood is fixed to the housing using the screw holes located around the base of the casing visible when the inlet grille has been removed.

Measure the underside of the canopy and mark the position for the cut-out (497mm wide by 259mm deep) for the DL/BUCHP3 and T60BUCHSS3 and (677mm wide by 259mm deep) for the T80BUCHSS3 and check the positioning of the hole is correct with the drawing in fig. 1.

Remove the grille panel by supporting the grille with one hand and drawing down on the two grey handles (located at each side of the grille) with the other as illustrated in fig. 2.

Raise the cooker hood into the cut-out and mark the position for the fixing screws as illustrated in fig. 3. Pilot drill the fixing holes and fit the cooker hood using the screws supplied.

Refit the grille panel by supporting the grille with one hand and pushing upwards on the two grey handles (located at each side of the grille) with the other as illustrated in fig. 4.

Ensure that provision is made for the mains lead and ducting before the cooker hood is secured to the housing.

EXTRACTION (DUCTED)

The cooker hood is more effective when used in the extraction mode (ducted to the outside).

The ducting used must be 120mm. If possible duct through the wall at the rear of the canopy. For the best performance use the shortest possible duct run and the minimum number of

bends. Where flexible ducting is used it should not be turned through very tight bends as this may impair the performance of the hood. The ducting used must be manufactured from fire retardant material produced to BS 476, DIN 4102-B1.

(The maximum recommended length of ducting including one 90° bend should be 3 metres, to be reduced by 1 metre for each 90° bend installed in the run).

RECIRCULATION (FILTERED)

If you are using the cooker hood for recirculating, remove the metal inlet grille panel and make sure the optional (CAP 11 CF) charcoal filters are in position following the instructions below.

To fit the charcoal filters, remove the metal grille panel by supporting the grille with one hand and drawing down on the two grey handles (located at each side of the grille) with the other as illustrated in fig. 2. Place one charcoal filter at a time at each side of the fan housing, by inserting the filter into the two slots in the motor housing and securing the opposite end with the securing tabs as illustrated in fig. 10.

In the recirculation mode, contaminated air enters the cooker hood and passes through the grease and charcoal filters and out into the kitchen through a recirculation grille in the housing.

When installed in the recirculation mode it will be necessary for the installer to fabricate a chimney from the ducting spigot on the top of the hood to a terminal grille in the chimney as illustrated in fig. 5.

OPERATING INSTRUCTIONS

CONTROLS

The cooker hood is designed to extract unpleasant odours from the kitchen, it will not extract steam.

ELECTRICAL CONNECTION

Ensure the cooker hood is switched ON at the supply connection unit.

To obtain the best performance it is advisable to switch on the cooker hood a few minutes before you start cooking and leave it running for approximately 15 minutes after finishing.

The cooker hood functions are controlled by two slider switches located centrally on the underside of the hood between the two worktop lights as illustrated in fig. 6.

WORKTOP LIGHTING SWITCH

The switch (L) marked with the lamp symbol and numbered 0-1 controls the worktop lighting.

Position-0 indicates the lights are OFF.

Position-1 indicates the lights are ON.

DL/BUCHP3 - FAN SWITCH

The switch (V) marked with the fan symbol and numbered **0-1-2-3** controls the fan speeds.

Position-0 indicates the fan is switched **OFF**.

Position-1 indicates the fan is switched **ON** and should be selected when simmering or using only one pan.

Position-2 should be selected for normal cooking with up to four pans.

Position-3 should be selected when frying or when cooking food with a strong odour.

T60IT80BUCHSS3 FAN SWITCHES

The switch (M) marked with the fan symbol and numbered 0-1 controls the power to the fan.

Position-0 indicates the fan is switched **OFF**.

Position-1 indicates the fan is switched **ON**.

The switch (V) numbered 1-2-3 controls the fan speeds.

Position-1 should be selected when simmering or using only one pan.

Position-2 should be selected for normal cooking with up to four pans.

Position-3 should be selected when frying or when cooking food with a strong odour.

DO'S AND DON'TS

DO'S

- Do take extra care when frying.
- Do keep heating areas on your hob covered with pots and pans when using the hob and cooker hood simultaneously.

DON'TS

- Don't leave naked flames under this hood.
- Don't leave frying pans unattended during use as over heated fats and oils might catch fire.
- Don't do flambé cooking under this cooker hood.

MAINTENANCE AND CLEANING

WARNING: SWITCH OFF THE COOKER HOOD AT THE SUPPLY CONNECTION UNIT BEFORE CARRYING OUT ANY KIND OF MAINTENANCE OR CLEANING.

WARNING: THE COOKER HOOD MUST BE KEPT CLEAN, A BUILD UP OF GREASE OR FAT MAY BECOME A FIRE HAZARD.

WORKTOP LIGHTING

If a lamp fails to function at any time, first check that it is fully screwed into the holder. To tighten the lamps turn clockwise, but ensure not to over tighten them and break the lens.

When changing the lamps an identical replacement must be fitted to ensure the safe working of the cooker hood.

The lamp should be replaced with a 220-240V 40W clear cylindrical shaped lamp with a small E14 screw thread cap.

CLEANING

For your own safety and in the interests of hygiene your cooker hood needs to be kept clean. A build up of grease or fat from cooking may become a fire hazard.

Never use excessive amounts of water when cleaning, particularly around the control panel.

The metal casing and grille assembly should be cleaned at least once a month to keep it looking like new. Wipe over the hood with a soft cloth wrung out in hot water and containing a mild household cleaner and polish with a soft dry cloth.

Always wear protective gloves when cleaning the cooker hood.

WARNING: Never use scouring pads or abrasive cleaners as they might scratch or damage the surface.

GREASE FILTER

The grease filter is fitted to absorb grease and dust during cooking and to help keep the cooker hood clean inside.

SYNTHETIC GREASE FILTER

The synthetic paper grease filter cannot be cleaned and must not be washed.

The filter should be replaced at least every three months or more frequently if the hood is used for more than three hours a day.

To replace the grease filter remove the grille panel by supporting the grille with one hand and drawing down on the two grey handles (located at each side of the grille) with the other as illustrated in fig. 2. Remove the grease filter by sliding the wire retaining clips to the side and removing them as illustrated in fig. 9 so the filter can be replaced.

WARNING: PLEASE ENSURE THAT THE WIRE CLIPS ARE HANDLED WITH CARE AND KEEP AWAY FROM SMALL CHILDREN AS THE WIRE CLIPS HAVE SHARP POINTS.

Clean the grille and clips before fitting the replacement paper grease filter and refit the wire clips.

Refit the grille panel by supporting the grille with one hand and pushing upwards on the two grey handles (located at each side of the grille) with the other hand as illustrated in fig. 4.

METAL GREASE FILTER

The metal grease filter may be machine washed in a dishwasher, or it may be hand washed in hot water and a mild detergent or liquid soap and allowed to dry naturally.

The filter must not be replaced when wet.

Remove the grease filter cassettes one at a time by pressing against the actuator to open the spring catch. The front edge of the cassette will hinge down and can be lifted out from the guide at the back as illustrated in fig.8.

To refit the cassette insert the back edge into the guide in the rear of the casing and then hinge the front edge upwards while pressing against the actuator and fasten the catch.

BEFORE CALLING A SERVICE ENGINEER

We strongly recommend that you carry out the following checks on your appliance before calling a Service Engineer. It may be that the problem is a simple one, which you can solve yourself without the expense of a Service call. If our Engineer finds that the problem is caused through incorrect installation or finds the problem is listed below you will be charged for the call whether or not the product is under guarantee:

- ***Make sure the appliance is properly connected to the switched fuse connection unit and that the unit is switched 'ON'.***
- Check there is power to the connection unit.
- Check the fuse in the connection unit.
- Check the fuse in the mains distribution board.
- If a lamp fails to function at any time check it is fully screwed into the holder.

REQUESTING SERVICE

In the event of your cooker hood requiring service telephone Caple Service on:

0870 241 1142.

Before calling out a Service Engineer, please ensure you have read the details under the heading 'Before Calling a Service Engineer' and have the following information available.

The name of the Company from whom you purchased the appliance.

Your Name:.....

Address:.....

.....

.....

Post Code:.....

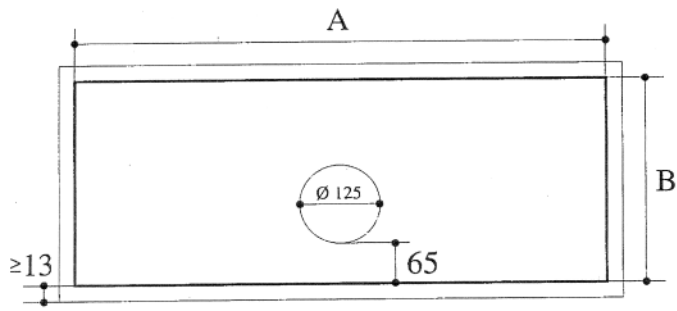
Name of Appliance:.....

Model or Model Number:.....

The serial number (shown on the rating plate attached to the appliance:

.....

Date of Purchase:.....



| Cooker hood dimensions | Side A | Side B |
|------------------------|--------|--------|
| 520 mm | 497 mm | 259 mm |
| 700 mm | 677 mm | 259 mm |

Fig. 1

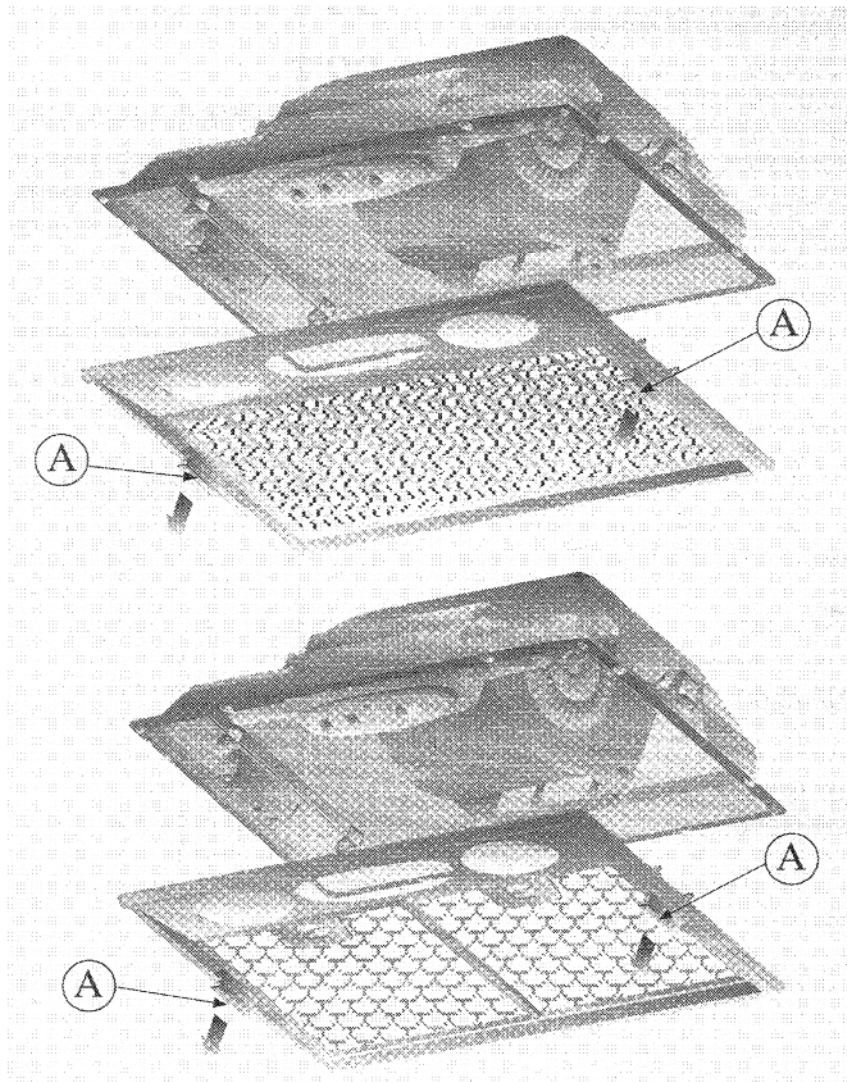


Fig. 2

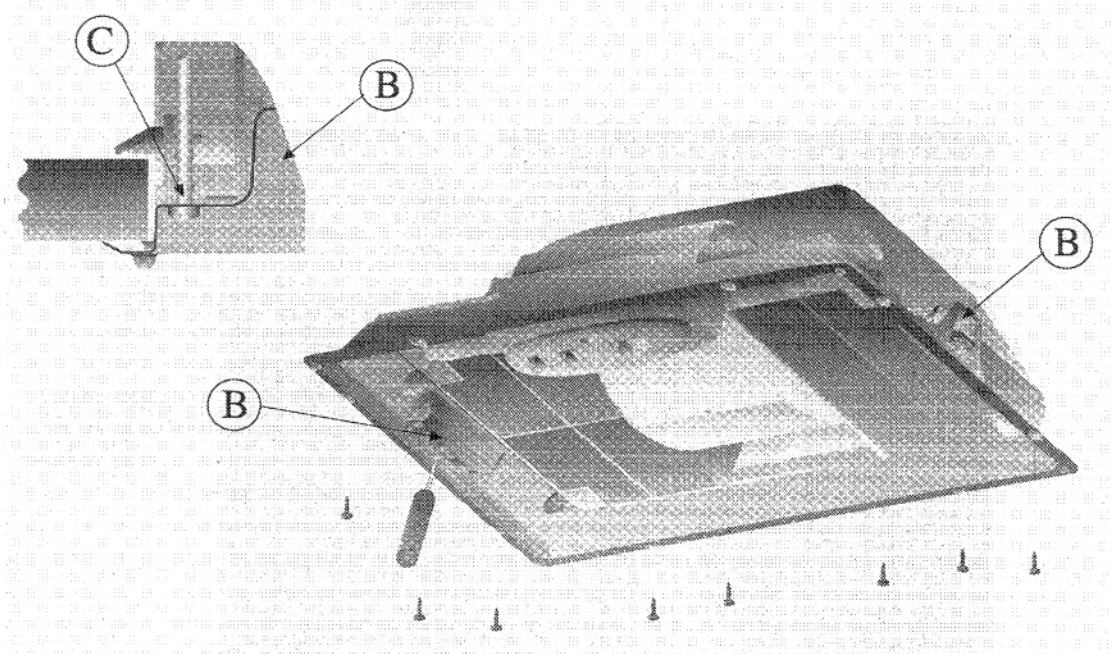


Fig. 3

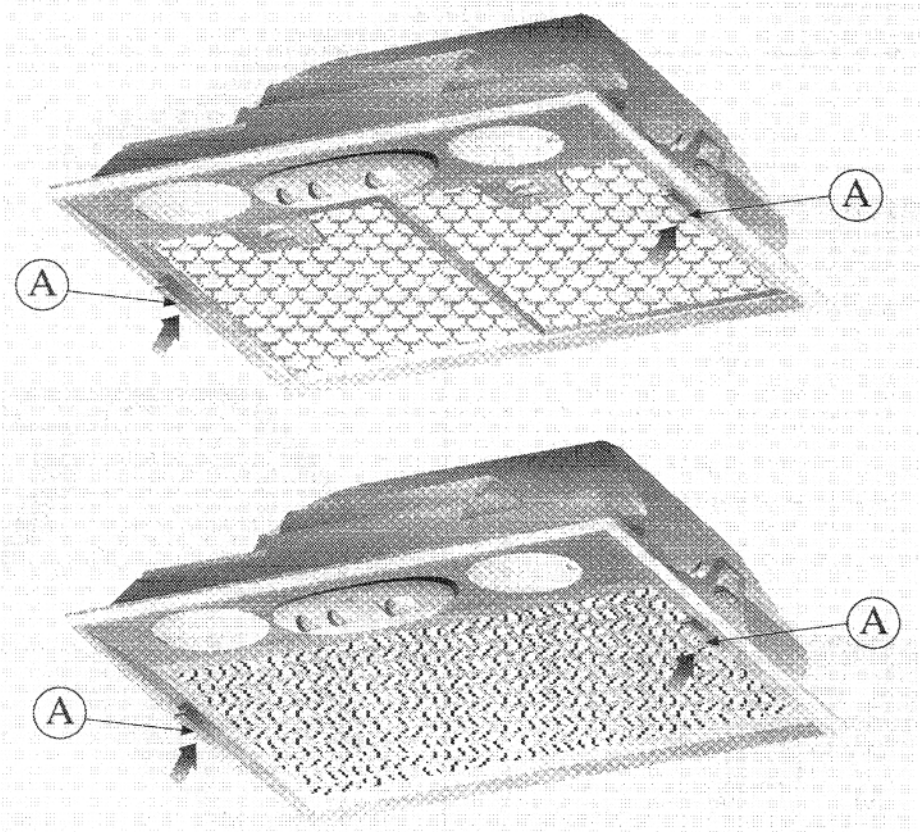


Fig. 4

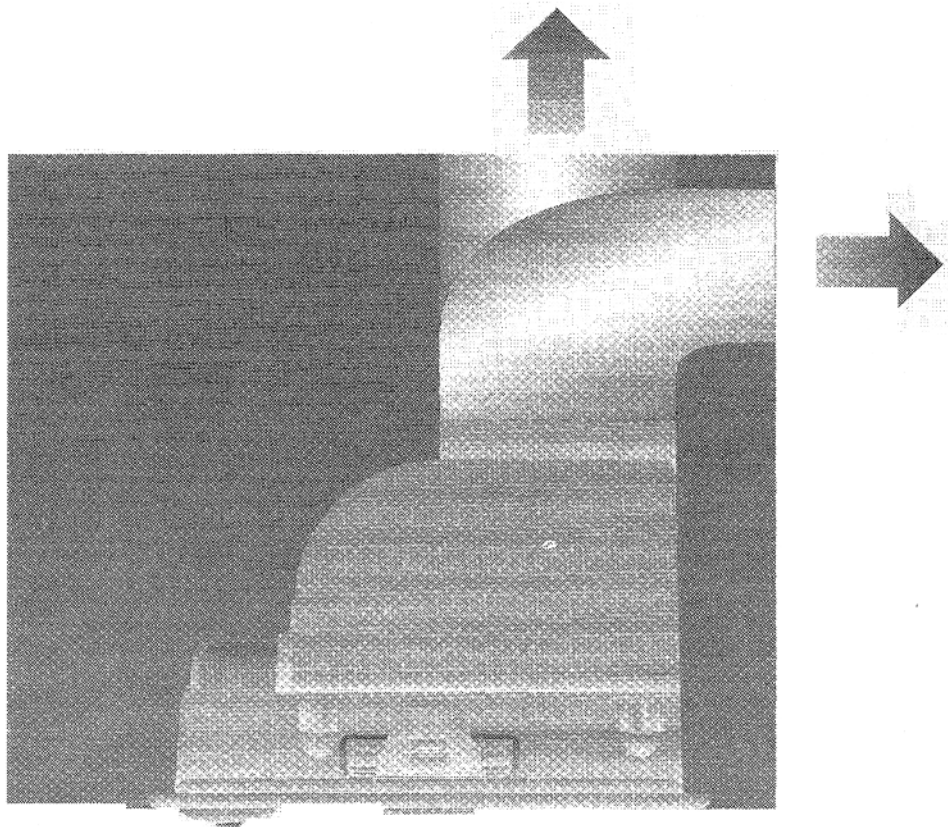


Fig. 5

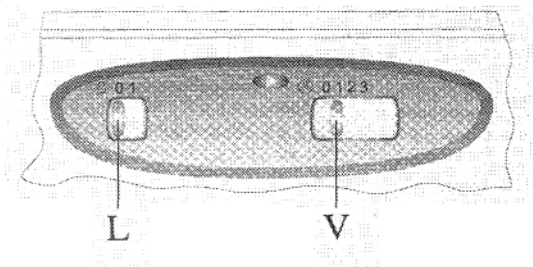


Fig. 6

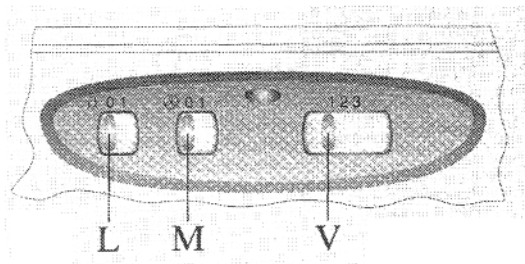


Fig. 7

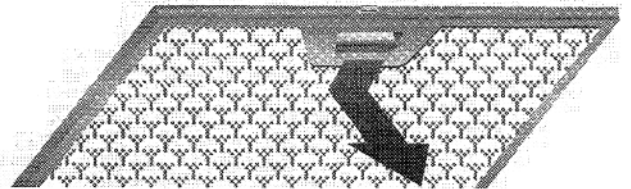


Fig. 8

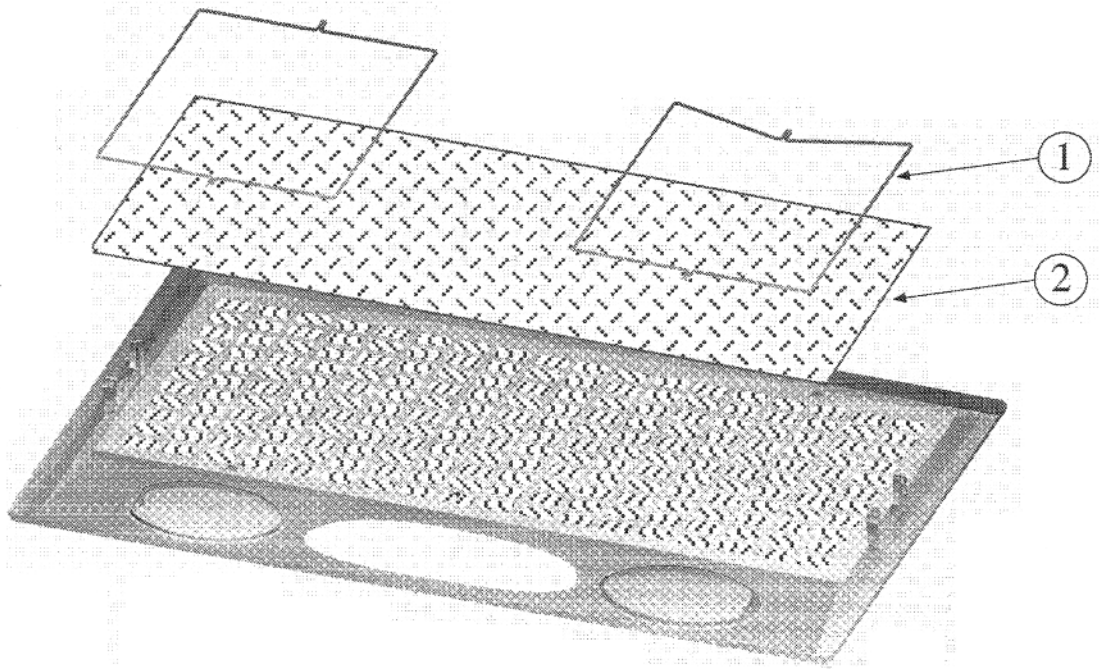


Fig. 9

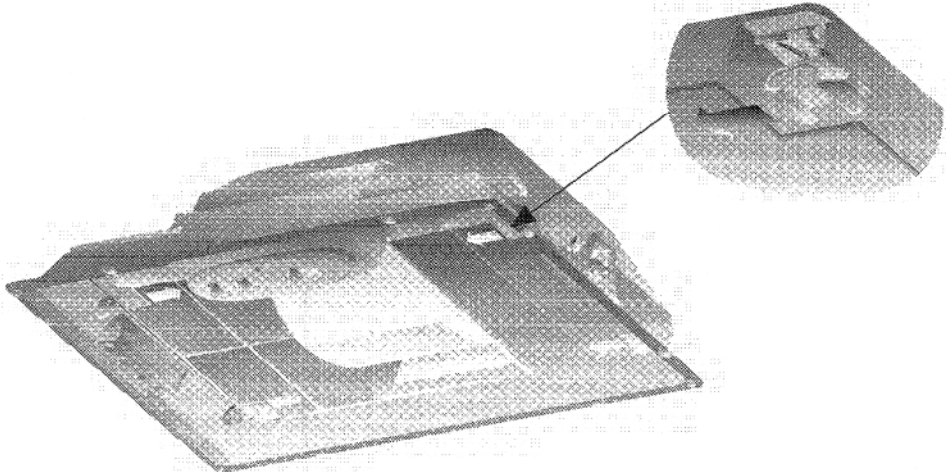


Fig. 10

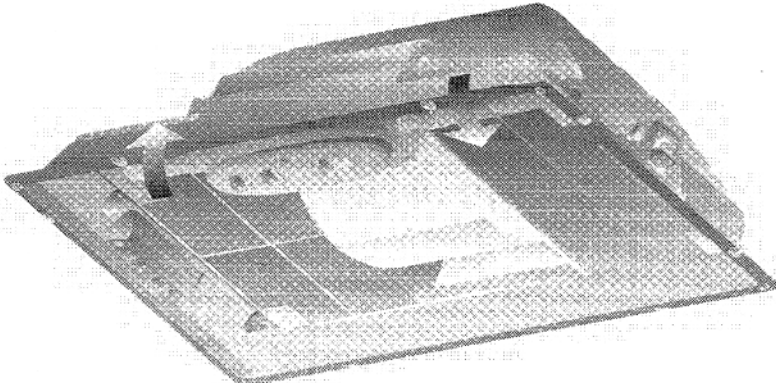


Fig. 11

