



CONO6SS

Caple Cono Chimney 600mm
Stainless Steel

INSTRUCTION MANUAL

.....

	GB
INSTRUCTIONS FOR USE	9
WARNINGS!	9
CONNECTION TO THE MAINS	9
CONTENTS	9
INSTALLATION	10
OPERATION	11

INSTRUCTIONS FOR USE

This appliance has been designed for use as either an **EXTRACTION** (ducting to the outside) or **RECIRCULATION** (filtering) hood.

The measurements contained on the drawings in this booklet refer to two models of cooker hood. Therefore, it is essential that you refer to the correct drawing when taking measurements for installation.

WARNINGS!

- The minimum distance between the cooking surface and the metal grease filters on the underside of the hood must be 650mm.
- This cooker hood must be installed in accordance with the installation instructions and all requirements must be adhered to.
- If the room where the cooker hood is to be used contains a fuel burning appliance such as a central heating boiler then its flue must be of the room sealed or balance flue type.
- If other types of flue or appliances are fitted ensure that there is an adequate supply of air to the room.
- When the cooker hood is used in conjunction with appliances supplied with energy other than electricity, the negative pressure in the room must not exceed 0.4 mbar to prevent fumes being drawn back into the room by the hood.
- The ducting system for this appliance must not be connected to any ventilation system which is being used for any other purpose.
- The ducting system for this appliance must not be connected to any existing ventilation system which is being used for any other purpose.
- Do not leave naked flames or carry out flambe cooking under this cooker hood.

CONNECTION TO THE MAINS

WARNING: DOUBLE INSULATED DO NOT EARTH

Before connecting to the mains supply ensure the mains voltage corresponds to the voltage on the rating plate inside the hood.

This appliance is fitted with a 2 core mains cable and must be permanently connected to the electricity supply via a double-pole switch having 3mm minimum contact gap on each pole.

Applied norms:

EN 60355-1/88 (CEI 61-50/89)

CEI EN 61000-3-2/95

EN 60335-2-31 (CEI 61-92/91)

CEI EN 61000-3-3/95

CEI EN 55014/94

EN 55104/95

CONTENTS

- 2 No Wall Brackets **C**
- 1 No Locking Washer **D**
- 1 No Ducting Flange **E**
- 1 No 150mm Diameter Ducting **F** (To be find on the Market)
- 2 No 150-120mm Ducting Spigot **G**
- 1 No Air Deflector **H**
- 2 No Charcoal Filters **L** (Optional)

INSTALLATION

The cooker hood must be installed centrally over a cooking appliance. The minimum distance between the cooking surface and the metal grease filters on the underside of the hood must be at least 650mm. To install the hood proceed as follows: -

- 1 - Firstly, draw a vertical line approximately 950mm up the wall from the centre of the cooking appliance. Secondly, draw two vertical lines 90mm either side of the first line up to the ceiling. Thirdly, draw four horizontal lines through the vertical lines at **Y-J-X2-X1** as illustrated in **fig. 1** to give you your drilling positions.
- 2 - Drill eight 8mm diameter holes at **X1-X2-J-Y** and insert the plastic rawl plugs supplied as illustrated in **fig. 2 ensuring the brackets are fitted as shown in the blow up.**
- 3 - Secure the two brackets **C** to the wall inserting two of the screws supplied through the two holes on line **X1-X2** as illustrated in **fig. 2.**
- 4 - Secure the locking washer **D** to the wall inserting one of the screws supplied through hole **Y** as illustrated in **fig. 2 ensuring the washer is fitted with the recess to the wall as shown in the blow up.**
- 5 - Slide the canopy down the wall to locate the key hole over the washer then secure the canopy to the wall by inserting two of the screws supplied through the two outer holes in the rim of the canopy **J1** and **J2** as illustrated in **fig. 3.**
To prevent the canopy from accidentally being dislodged from the wall at anytime fit the final screw supplied through hole J3.

- 6 - Fit the ducting flange **E** over the rectangular air outlet in the top of the canopy rim using the two 2.9mm self tapping screws provided as illustrated in **fig. 4.**

7 - EXTRACTION OR RECIRCULATION INSTALLATION:

7A EXTRACTION (Ducted)

- When used in the extraction(ducted) mode contaminated air enters the cooker hood through the metal grease filters and passes out through ducting to the outside.
- When the hood is ducted to the outside the 150 to 120mm diameter ducting spigot **G** must be fitted onto the ducting flange **E** as illustrated in **fig. 5.**
- The (optional) ducting required must be 120mm in diameter and made from fire retardent material. Where flexible ducting is fitted it should not be turned through very tight bends as this could impair the performance of the hood.
- **IMPORTANT: The ducting used inside the chimney must not be larger than 120mm in diameter as this could subsequently prevent the chimney fitting correctly.**
- **The ducting system for this appliance must not be connected to any ventilation system which is being used for any other purpose.**

7B RECIRCULATION (Filtered)

- When used in the recirculation mode (filtered) contaminated air enters the cooker hood through the metal grease filters, passes through the (optional) cleansing charcoal filters where it is purified and passes out into the kitchen through the grilles in the chimney.
- When the hood is fitted in the recirculation mode the air deflector **H** should be fitted as illustrated in **fig. 6.**
- Fit the (optional) charcoal filters by repeating the following operation on each side of the motor housing. Place the two key hole slots in the filter **L** over the tabs on the motor housing **M** and turn the filter clockwise to lock the filter in position as illustrated in **fig. 7.**

-
- **WARNING:** It is a possible fire hazard if the metal grease filters are not cleaned and the charcoal filters replaced regularly.

8 FITTING THE CHIMNEY

- To fit the (longer) upper chimney **A**, place the top edge of the chimney over the bracket **C** as illustrated in **fig. 8** and secure the chimney using two of the 2.9mm self tapping screws provided.
- **The distance in the height between the fixing holes X1 and X2 is determined by the height of the upper chimney A.**
- To fit the (shorter) lower chimney **B**, apply slight force to the two rear edges to increase the width of the aperture, then sleeve the chimney **B** over the chimney **A** as illustrated in **fig. 9**.

OPERATION

.....

- The cooker hood functions are controlled by a series of slider or push button switches mounted on the front of the hood and control the worktop lighting and fan motor speeds.
- This cooker hood will not remove steam.

1 - SLIDER SWITCHES

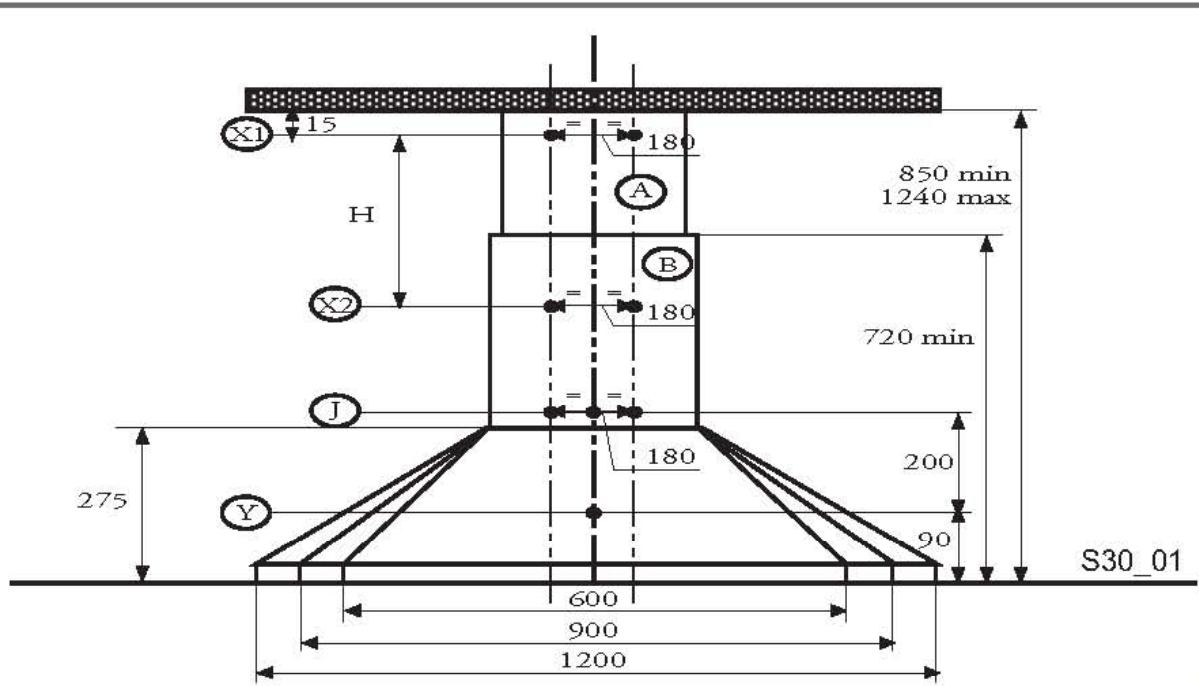
- A switch controls the worktop lighting - ON/OFF.
- A switch controls the fan speeds - OFF/ON-1-2-3.
- The red neon lamp illuminates when the motor is switched ON .

2 - PUSH BUTTON SWITCHES

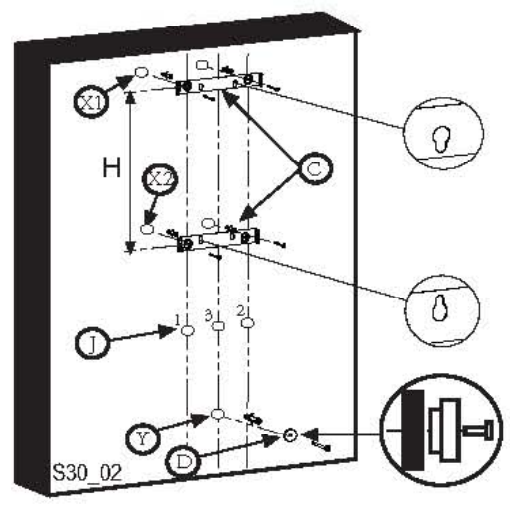
- A switch controls the worktop lighting - ON/OFF.
- A button switches the motor OFF/ON at the low speed setting.
- A button switches the motor to the medium speed setting.
- A button switches the motor to the high speed setting.
- The red neon lamp illuminates when the motor is switched ON.

3 - SPEED SETTINGS

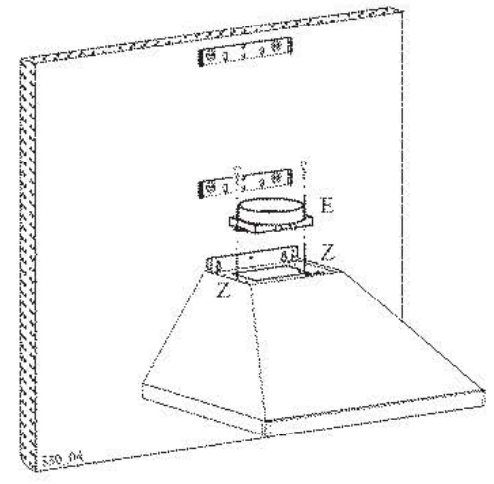
- 1/Low should be selected when simmering or when using only one pan.
- 2/Medium should be selected for cooking when using up to four pans.
- 3/High should be selected when frying or cooking food with a strong odour.



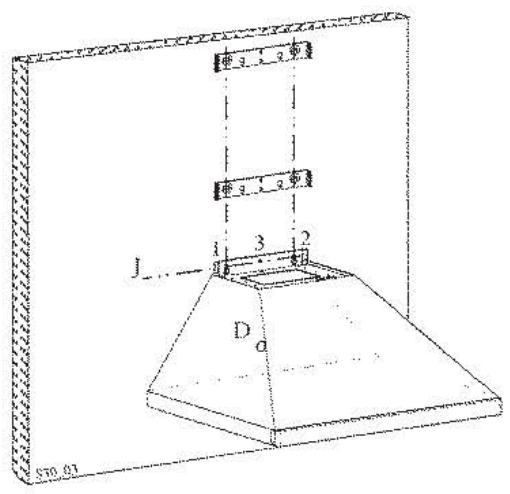
1



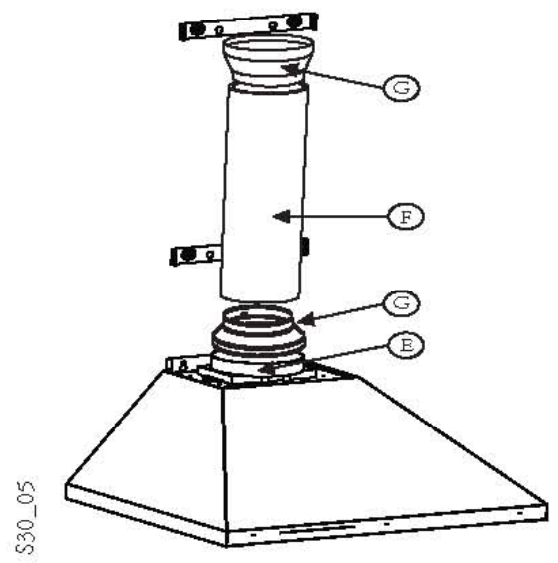
2



4

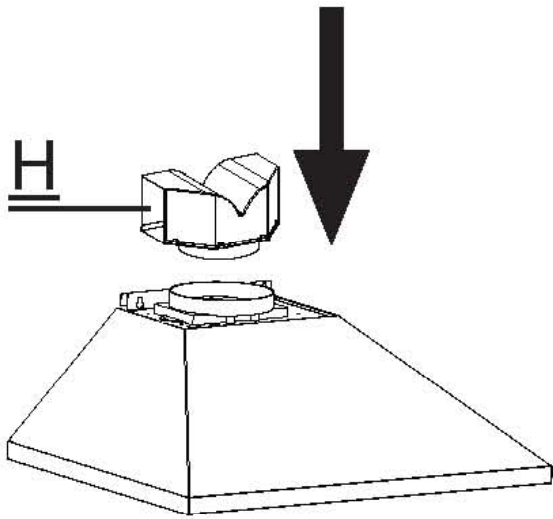


3

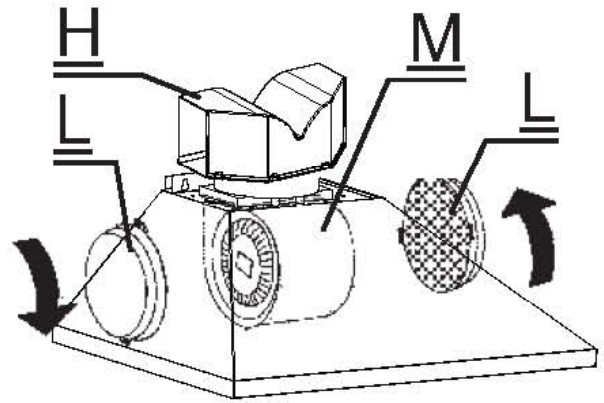


5

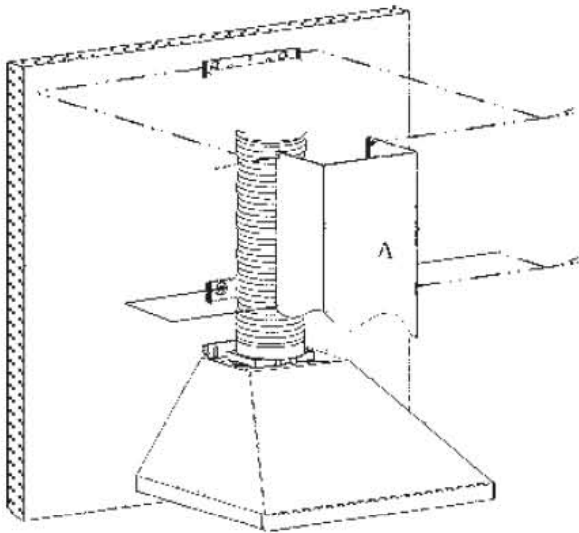
6



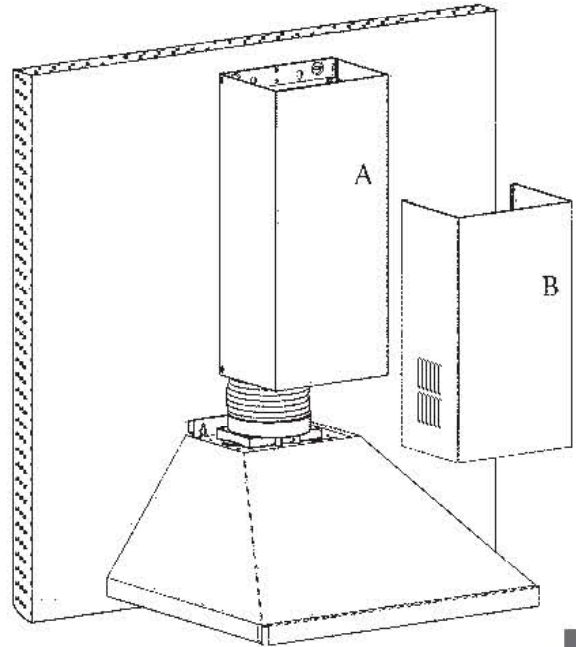
6



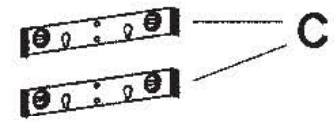
7



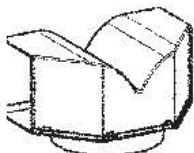
8



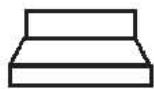
9



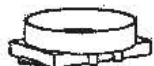
C



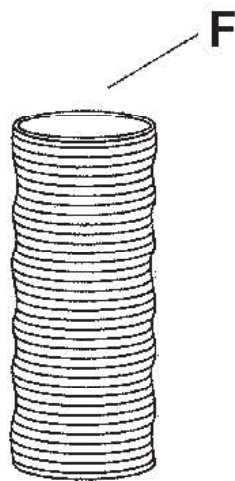
H



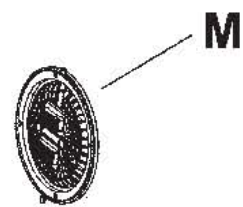
G



E



F

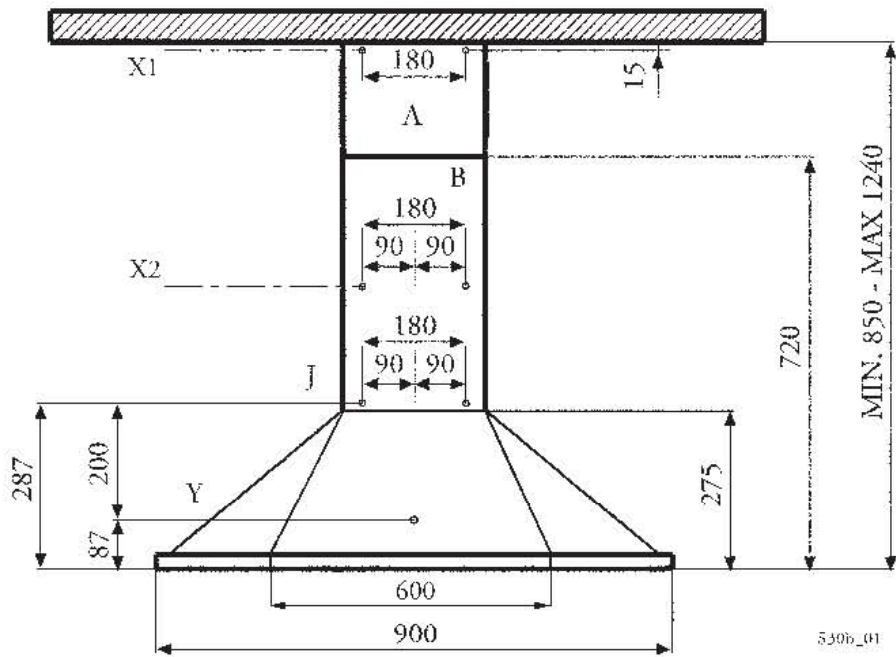


M

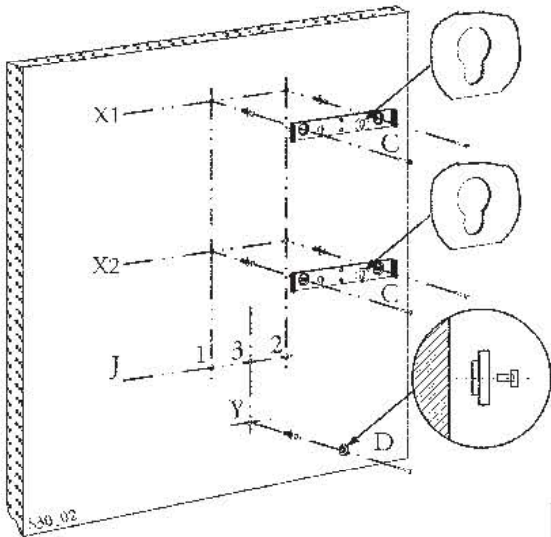


D

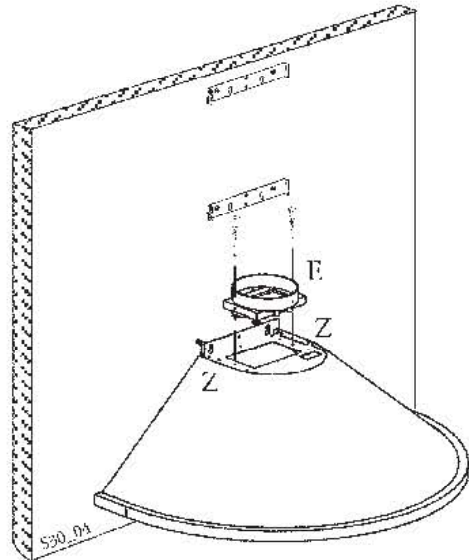
7



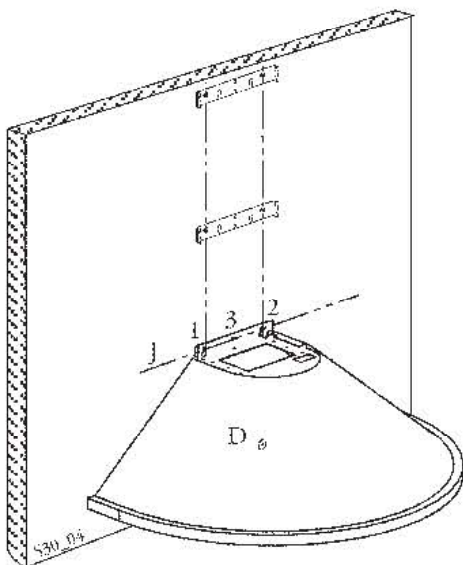
1



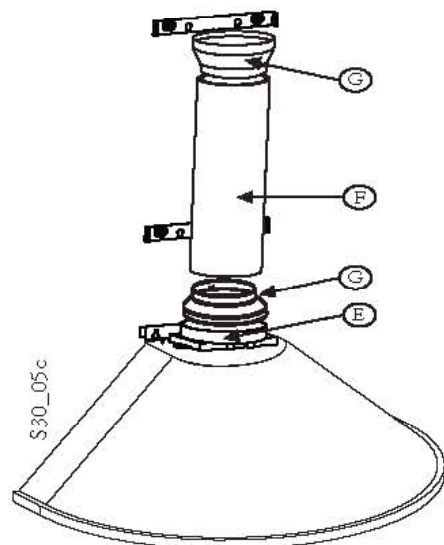
2



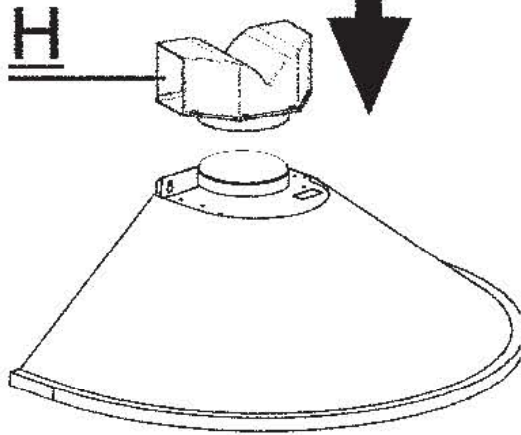
4



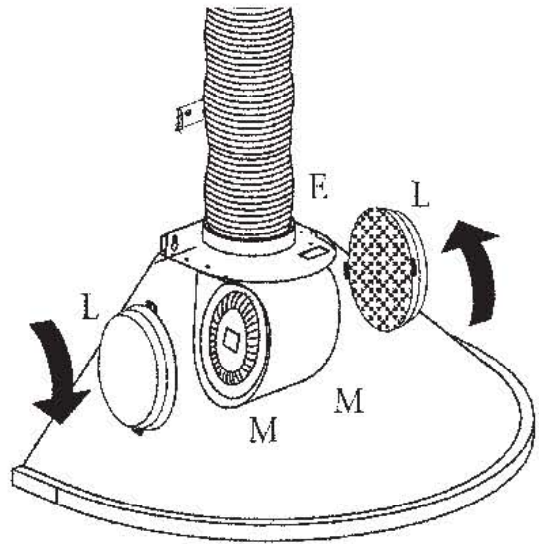
3



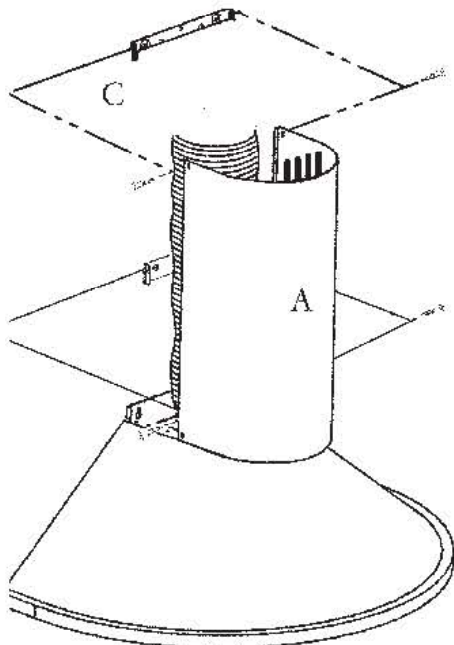
5



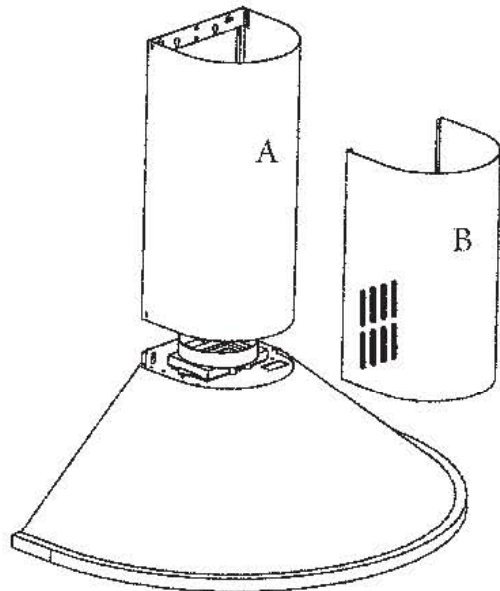
6



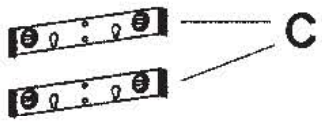
7



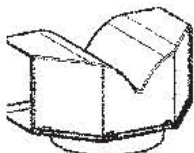
8



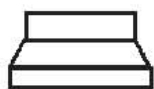
9



C



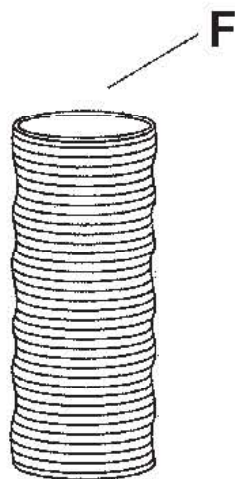
H



G



E



F



M



D



This appliance complies with European regulations on low voltages, EEC Directive 73/23 on electrical safety, and with the following European regulations: EEC Directive 89/336 on electromagnetic compatibility and EEC Directive 93/68 on EC marking.