



# **INSTALLATION AND OPERATING INSTRUCTION BOOKLET**

## ***BUCHB BUILT-UNDER COOKER HOOD***

IMPORTANT: You must read this instruction Book before installing or using this appliance and retain it for future use.

Caple Products  
***Telephone 0870 2411142***

## YOUR NEW COOKER HOOD

Dear Customer

These instructions are designed to help you get to know your new cooker hood quickly and to achieve the best possible results.

It is most important that this instruction book should be retained with the appliance for future reference. Should the appliance be sold or transferred to another owner, or should you move house and leave the appliance, always ensure that the book is supplied with the appliance in order that the new owner can be acquainted with the functioning of the appliance and the relevant warnings. Please ensure that you have read the whole instruction book before using the appliance and that you follow the recommendations given.

*The author and publisher have used their best efforts in preparing this book. The Maurice Lay Group and the author make no representation or warranties with respect to the accuracy or completeness of the contents of this book. The information in this book is subject to change without notice.*

### SAFETY WARNINGS

These warnings are provided in the interests of safety. Ensure you read and understand them all before installing or using this appliance.

#### INSTALLER

- A qualified electrician or competent person must undertake any installation work.
- This cooker hood must be installed in accordance with the installation instructions and all requirements must be adhered to.
- If the cooker hood is installed for use above a gas appliance then the provision for ventilation must be in accordance with the Gas Safety Codes of Practice BS.6172, BS.5440 and BS.6891 (Natural Gas) and BS.5482 (LP Gas) 1994, the Gas Safety (Installation & Use) Regulations, the Building Regulations issued by the Department of the Environment.
- The fan motor of this cooker hood incorporates a cut-out device, which will operate if the cooker hood is installed below the minimum heights recommended in this booklet, or if the fan motor becomes overheated. If the cut-out device is activated, switch off the fan motor and allow the cooker hood to cool. The cut-out device will reset itself when the fan motor has cooled significantly.
- It is dangerous to alter the specifications or modify this product in anyway.
- When installed between adjoining wall cabinets the wall cabinets must not overhang the hob.
- If the room where the cooker hood is to be used contains a fuel-burning appliance such as a central heating boiler then its flue must be of the room sealed or balanced flue type.
- If other types of flue or appliance are fitted ensure that there is an adequate supply of air to the room.
- When the cooker hood is used in conjunction with appliances supplied with energy other than electricity, the negative pressure in the room must not exceed 0.4mbar to prevent fumes being drawn back into the room by the hood.

- The ducting system for this appliance must not be connected to any existing ventilation system, which is being used for any other purpose.
- Do not install above a cooker with a high level grill.

## USER

- This cooker hood is designed to be operated by adults. Children should not be allowed to tamper with the controls or play with the appliance.
- This product is for domestic use only.
- Never leave frying pans unattended as overheated oils and fats might catch fire.
- Never do flambé cooking under this cooker hood.
- Do not leave naked flames under this hood.
- This cooker hood could be a fire hazard if the grease filter and charcoal filters are not replaced as recommended.

## TECHNICAL INFORMATION

**It is dangerous to alter the specification or attempt to modify this cooker hood in any way.**

### DIMENSIONS

Height	150mm
Width	521 mm
Depth	284mm
Ducting Spigot Ø	120mm
Weight - Gross	5.40kg
Weight - Net	4.40kg

### POWER CONSUMPTION

Total	150W
Fan	110W
Lamp	40W

### PERFORMANCE TABLE

Speed	1	2	3
Capacity m3/h	120	170	230
Capacity lt/sec	33	47	64
Pressure H2O	11	19	26

Input W	45	70	105
Noise Level dBA	47	54	62

## INSTALLATION INSTRUCTIONS

### ELECTRICAL CONNECTIONS

***WARNING: DOUBLE INSULATED DO NOT EARTH***

### ELECTRICAL REQUIREMENTS

Any permanent electrical installation must comply with the latest I.E.E. Regulations and local Electricity Company regulations. For your own safety this should be undertaken by a qualified electrician e.g. your local Electricity Company, or a contractor who is on the role of the National Inspection Council for Electrical Installation Contracting (NICEIC).

### ELECTRICAL CONNECTION

Before connecting to the mains supply ensure that the mains voltage corresponds to the voltage on the rating plate inside the cooker hood.

This appliance is fitted with a 2-core mains cable and must be permanently connected to the electricity supply via a double-pole switch having 3mm minimum contact gap on each pole. A Switch Fuse Connection Unit to BS.1361 Part 4, fitted with a 3A fuse is a recommended mains supply connection accessory to ensure compliance with the Safety Requirements applicable to fixed wiring instructions.

**This appliance conforms to BS.800:1988 and EEC Directive 78:308 regarding suppression of radio and television.**

**NOTE: CE Marking certifies that this appliance complies with the requirements laid down in EEC Directive 89:336 (Electromagnetic Compatibility and subsequent modifications; EEC Directive 73/23 (Low Voltage) and any subsequent modifications.**

## INSTALLATION INSTRUCTIONS

### INSTALLATION REQUIREMENTS

This cooker hood has been designed for use fixed into a chimney housing, which should be constructed from fire retardant materials and should be installed in accordance with the following instructions.

The cooker hood can be used to duct odors to the outside or to filter the air within the kitchen. It will not remove steam and condensation. If it is used to filter the air within the kitchen it will be necessary to order a pack of one (optional) charcoal filter, (Part CAP10).

The installation instructions, which follow, give instructions on how and where the hood may be fitted. If already installed check with the installer that all the requirements have been met. If not then draw these to the attention of the installer who should be a qualified electrician or a competent person.

The manufacturer disclaims all liability for any damage or injury caused as a result of not following the instructions contained in the following text.

### UNPACKING

Before unpacking the cooker hood position the carton with the arrows pointing upwards as illustrated on the carton. Care should be taken when unpacking the cooker hood to ensure that the items supplied below are not thrown away with the box.

- 1 No. Instruction booklet.
- 1 No. Filter order form.
- 10 No. Fixing screws.
- 1 No. 120mm ducting spigot.

### POSITIONING

Please ensure that when the appliance is installed it is easily accessible to an engineer in the event of a breakdown.

**All installations must comply with the local authorities requirements for the discharge of exhaust air.**

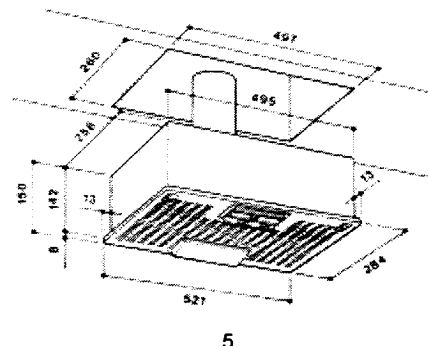
Incorrect installation may effect the safety of this cooker hood. The cooker hood is designed to be fitted over a cooking appliance at the clearance heights stated, provided the maximum output of the hob beneath does not exceed 7KW for electric and 10KW for gas. If the output of the appliance below the cooker hood exceeds the maximum outputs quoted, please refer to the cooker manufacturer's installation instructions.

**A minimum height of 650mm is required when installed above an electric hob, or 700mm when installed above a built-in gas hob.**

This cooker hood is not suitable for installation above a cooking appliance with a high-level grill.

When installed between adjoining wall cabinets, the wall cabinets must not overhang the hob and the distance between the underside of the cabinet and the worktop must be 450mm. If the height of the wall cabinet is less than 450mm a gap of 50mm must be maintained either side of the hob.

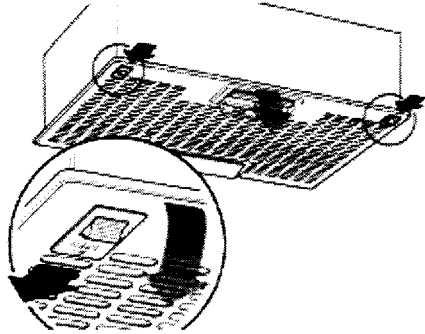
Before fixing the cooker hood into a chimney housing ensure it is firmly fixed to the wall in accordance with the manufacturers instructions.



## FIXING THE COOKER HOOD INTO THE CANOPY

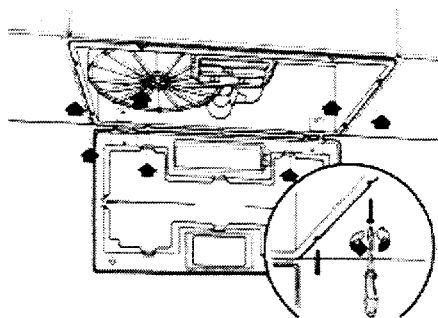
The cooker hood is fixed to the housing using the screw holes located around the base of the casing visible when the inlet grille has been removed.

Measure the underside of the canopy and mark the position for the cut-out (497mm wide by 261 mm deep) and check the positioning of the hole is correct.



Open the grille panel by sliding the catches backwards and the grille will hinge down.

Raise the cooker hood into the cut-out and mark the position for the fixing screws. Pilot drill the fixing holes and fit the cooker hood using the screws supplied.



**Ensure that provision is made for the mains lead and ducting before the cooker hood is secured to the housing.**

## EXTRACTION (DUCTED)

The cooker hood is more effective when used in the extraction mode (ducted to the outside).

The ducting used must be 120mm. If possible duct through the wall at the rear of the canopy. For the best performance use the shortest possible duct run and the

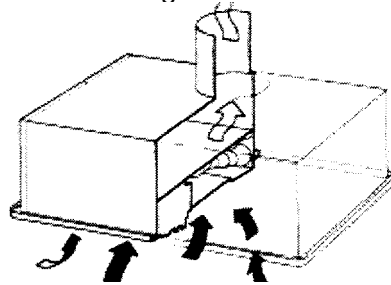
minimum number of bends. Where flexible ducting is used it should not be turned through very tight bends as this may impair the performance of the hood. The ducting used must be manufactured from fire retardant material produced to BS 476, DIN 4102-B1. (The maximum recommended length of ducting including one 90° bend should be 3 metres, to be reduced by 1 meter for each 90° bend installed in the run).

## RECIRCULATION (FILTERED)

If you are using the cooker hood for recirculating, open the grille panel and make sure the optional (CAP10CF) charcoal filter is in position following the instructions below.

To fit the charcoal filter, open the metal grille panel by sliding the catches backwards. Place the charcoal filter Fig. B over the fan cover Fig. A and insert the disk Fig. C, turning clockwise.

In the recirculation mode, contaminated air enters the cooker hood and passes through the grease and charcoal filters and out into the kitchen through a recirculation grille in the housing.



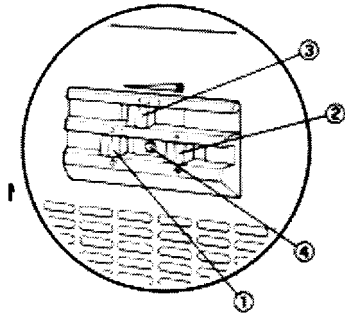
When installed in the recirculation mode it will be necessary for the installer to fabricate a chimney from the ducting spigot on the top of the hood to a terminal grille in the chimney.

## OPERATING INSTRUCTIONS

### CONTROLS

The cooker hood is designed to extract unpleasant odors from the kitchen, it will not extract steam.

The cooker hood functions are controlled by two slider switches located centrally on the underside of the cooker hood.



### ELECTRICAL CONNECTION

**Ensure the cooker hood is switched 'ON' at the supply connection unit.**

### WORKTOP LIGHTING

The switch (L) marked with the lamp symbol and numbered 0-1 controls the worktop lighting.

Position-0 indicates the lights are OFF.

Position-1 indicates the lights are ON.

### FAN

The switch (V) marked with the fan symbol and numbered 0-1-2-3 controls the fan speeds.

**Position-0** indicates the fan is switched off

**Position-1** indicates the fan is ON and should be selected when simmering or using one pan.

**Position-2** should be selected for normal cooking with up to four pans.

**Position-3** should be selected when frying or when cooking food with a strong odor.

***To obtain the best performance it is advisable to switch on the cooker***

hood a few minutes before you start cooking and leave it running for approximately 15 minutes after finishing.

### DO'S AND DON'TS

#### DO'S

- **Do** take extra care when frying.
- **Do** keep heating areas on your hob covered with pots and pans when using the hob and cooker hood simultaneously.

#### DON'TS

- **Don't** leave naked flames under this hood.
- **Don't** leave frying pans unattended during use as over heated fats and oils might catch fire.
- **Don't** do flambé cooking under this cooker hood.

## MAINTENANCE AND CLEANING

**WARNING:** SWITCH OF THE COOKER HOOD AT THE SUPPLY CONNECTION UNIT BEFORE CARRYING OUT ANY KIND OF MAINTENANCE OR CLEANING.

**WARNING:** THE COOKER HOOD MUST BE KEPT CLEAN, A BUILD UP OF GREASE OR FAT MY BECOME A FIRE HAZARD.

### WORKTOP LIGHTING

If the lamp fails to function at any time first check that it is fully screwed into the holder. To tighten the lamp turn clockwise, but ensure not to over tighten the lamp and break the lens.

When changing the lamp an identical replacement must be fitted to ensure the safe working of the cooker hood.

The lamp should be replaced with a 220-240V 40W clear globe shaped lamp with a small E14 screw thread cap.

### CLEANING

For your own safety and in the interests of hygiene your cooker hood needs to be kept clean. A build up of grease or fat from cooking may become a fire hazard.

Never use excessive amounts of water when cleaning particularly around the control panel.

The metal casing and grille assembly should be cleaned at least once a month to keep it looking like new. Wipe over the hood with a soft cloth wrung out in hot water and containing a mild household cleaner and dry with a soft cloth.

Always wear protective gloves when cleaning the cooker hood.

**WARNING:** Never use scouring pads or abrasive cleaners as they might scratch or damage the surface.

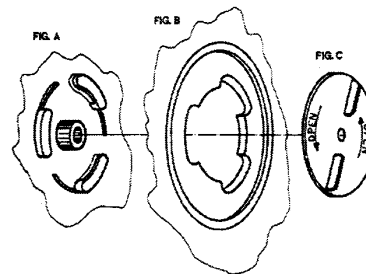
### CHARCOAL FILTER

The charcoal filter cannot be cleaned. The charcoal filter should be replaced at least every three months or more frequently if the cooker hood is used for more than three hours a day.

To replace the charcoal filter, open the grille by sliding the catches backwards.

Carefully twist the disk in the centre of the charcoal filter as illustrated in Fig. C, while holding the filter securely and then remove the filter.

Place the replacement charcoal filter (CAP10CF) Fig. B over the fan cover Fig. A while holding the filter securely and then insert the disk Fig. C, turning the disk clockwise.



### GREASE FILTER

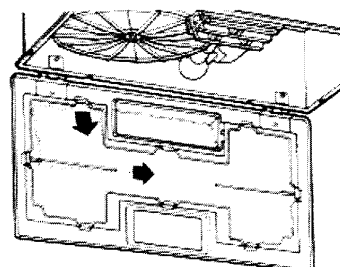
The grease filter is fitted to absorb grease and dust during cooking and to help keep the cooker hood clean inside.

### SYNTHETIC GREASE FILTER

The synthetic paper grease filter cannot be cleaned and must not be washed.

The filter should be replaced at least every three months or more frequently if the hood is used for more than three hours a day.

To replace the grease filter open the grille panel by sliding the catches backwards. Remove the grease filter by sliding the wire retaining clips to the side and removing them.



Clean the grille and clips before fitting the replacement paper grease filter and refit the wire clips.

***WARNING: PLEASE ENSURE THAT THE WIRE CLIPS ARE HANDLED WITH CARE AND KEEP AWAY FROM SMALL CHILDREN AS THE WIRE CLIPS HAVE SHARP POINTS.***

## **BEFORE CALLING A SERVICE ENGINEER**

We strongly recommend that you carry out the following checks on your appliance before calling a Service Engineer. It may be that the problem is a simple one, which you can solve yourself without the expense of a Service call. If our Engineer finds that the problem is caused through incorrect installation or finds the problem is listed below you will be charged for the call whether or not the product is under guarantee:

- Make sure the appliance is properly connected to the switched fuse connection unit and that the unit is switched 'ON'.
- Check there is power to the connection unit.
- Check the fuse in the connection unit.
- Check the fuse in the mains distribution board.
- If a lamp fails to function at any time check it is fully screwed into the holder.

## **REQUESTING SERVICE**

In the event of your cooker hood requiring service telephone Caple Service on:

**0870 241 1142.**

**Before calling out a Service Engineer, please ensure you have read the details under the heading 'Before Calling a Service Engineer' and have the following information available.**

The name of the Company from whom you purchased the appliance.

Your Name:.....

Address:.....

.....

.....

Post Code:.....

Name of Appliance:.....

Model or Model Number:.....

The serial number (shown on the rating plate attached to the appliance:

.....

Date of Purchase:.....