



C402SS

**Caple 2 Cavity Built Under Fan Oven
Stainless Steel**

TECHNICAL INFORMATION

ELECTRIC OVEN

C402SS
C402SS1

CAPLE

TECHNICAL
FEATURES

AFTER SALES SERVICE DATA

- Operating instructions : 87X4979
- Servicing guide : -

OVERALL DESCRIPTION

- Date of manufacture : 07/2004
- Standards : CE
- Type : Electric oven
- Colour : Stainless
- Oven lighting : Yes
- Programmer : YES
- Roasting jack : No
- Support grate : Yes
- Multiuse drip pan : YES
- Drip pan + grate + grip : Yes
- Pastry pan : No
- Pan : No
- Glass pan : No
- Perforated pan : No
- Wire slide : YES
- Oven cleaning type : Manual
- Diagnosis assistance :

DIMENSIONS

	Overall	Recess	Large oven cavity	Small oven cavity
Height	718 mm	870 mm	250 mm	- mm
Width	555 mm	560 mm	430 mm	- mm
Depth	540 mm	560 mm	390 mm	- mm

- Large oven useful capacity : 42 l
- Net weight : 50 kg
- Gross weight : 55 kg

- Small oven useful capacity : - l

ELECTRICAL CONNECTIONS

- Power cord : No
- Voltage (single phase) : 230/240 V
- Frequency : 50 Hz
- Current : 16 A
- Power : - W

OVEN ELECTRICAL DATA

- Large oven
 - Top / Grill : 750/1000 W
 - Bottom : 850 W
 - Circular : 1800 W
- Small oven
 - Top / Grill : 750/1000 W
 - Bottom : 850 W

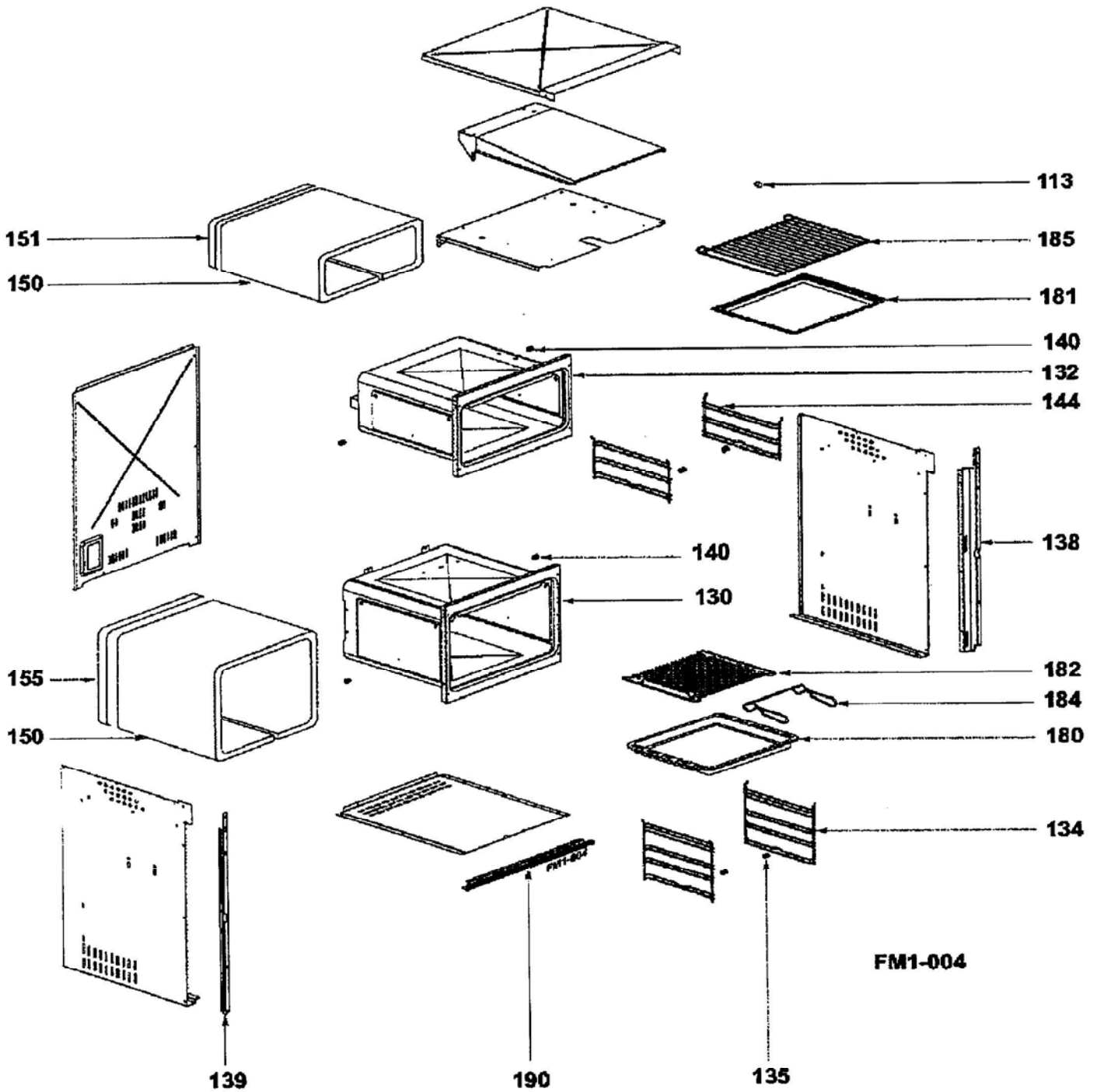
CONSUMPTION

- Build up to 200 °C : 0,306 kW/h
- Holding 1h at 200 °C : - kW/h *
- * For 20 °C ambient temperature
- 80 minute pyrolysis : - kW/h
- Steam oven : - kW/h
- Cooking at 100 °C : - kW/h

C402SS



TECHNICAL
INSTRUCTIONS



C402SS



TECHNICAL
INSTRUCTIONS

C402SS



TECHNICAL
INSTRUCTIONS

REP.	REF. SAV	DESIGNATION	REP.	REF. SAV	DESIGNATION
SR	87X4979	NOTICE D'UTILISATION INSTRUCTIONS FOR USE	155	74X9018	CALORIFUGE ARRIERE REAR HEAT INSULATOR
113	74X8358	BUTEE STOP	180	74X9033	PLAT LECHEFRITE DRIPPING-PAN DISH
130	74X9015	MOUFLE INFERIEUR LOWER CAVITY	181	74X8363	PLAT MULTI USAGES MULTI-PURPOSE PLATE
132	74X9022	MOUFLE SUPERIEUR HIGHER CAVATY	182	74X9037	GRILLE DE FOUR GRILL, OVEN
134	74X9039	GLISSIERE SLIDE	184	74X9038	POIGNEE LECHE FRITE DRIPPING PAN HANDLE
135	74X8391	LOQUET DE VERROU LOCK LATCH	185	74X8388	GRILLE DE FOUR GRILL, OVEN
138	74X9025	MONTANT DR RIGHT COLUMN	190	74X9027	PROFILE INFERIEUR INFERIOR PROFILE
139	74X9026	MONTANT GC LEFT COLUMN			
140	74X9040	LOQUET DE VERROU LOCK LATCH			
144	74X9041	GLISSIERE SLIDE			
150	74X9017	CALORIFUGE POURTOUR SURR HEAT SHIELD			
151	74X9023	CALORIFUGE ARRIERE REAR HEAT INSULATOR			

C402SS



TECHNICAL
INSTRUCTIONS

C402SS



TECHNICAL
INSTRUCTIONS

REP.	REF. SAV	DESIGNATION	REP.	REF. SAV	DESIGNATION
202	74X9043	GLACE DE PORTE DOOR WINDOW	253	74X8386	LIMITEUR THERMIQUE 65° C LIMITER 65° C
210	74X9042	POIGNEE INOX STAINLESS STEEL HAND	254	74X9021	LIMITEUR TEMPERATURE 185° LIMITER 185°
212	74X8375	JOINT DE CHARNIERE HINGE SEAL	256	74X9044	TRAVERSE CROSS MEMBER
220	74X9047	CONTRE PORTE DOOR BACK	260	74X9030	LIMITEUR TEMPERATURE 165° LIMITER 165°
221	74X9016	JOINT FACADE SEAL, FACADE	263	74X9054	CHARNIERE DE PORTE DOOR HINGE
222	74X9024	JOINT FACADE SEAL, FACADE	267	74X9055	CONTRE PORTE DOOR BACK
245	74X9046	CHARNIERE HINGE	270	74X9056	GLACE DE PORTE DOOR WINDOW
252	74X9029	VENTILATEUR BANDEAU FASCIA PANEL FAN			

C402SS

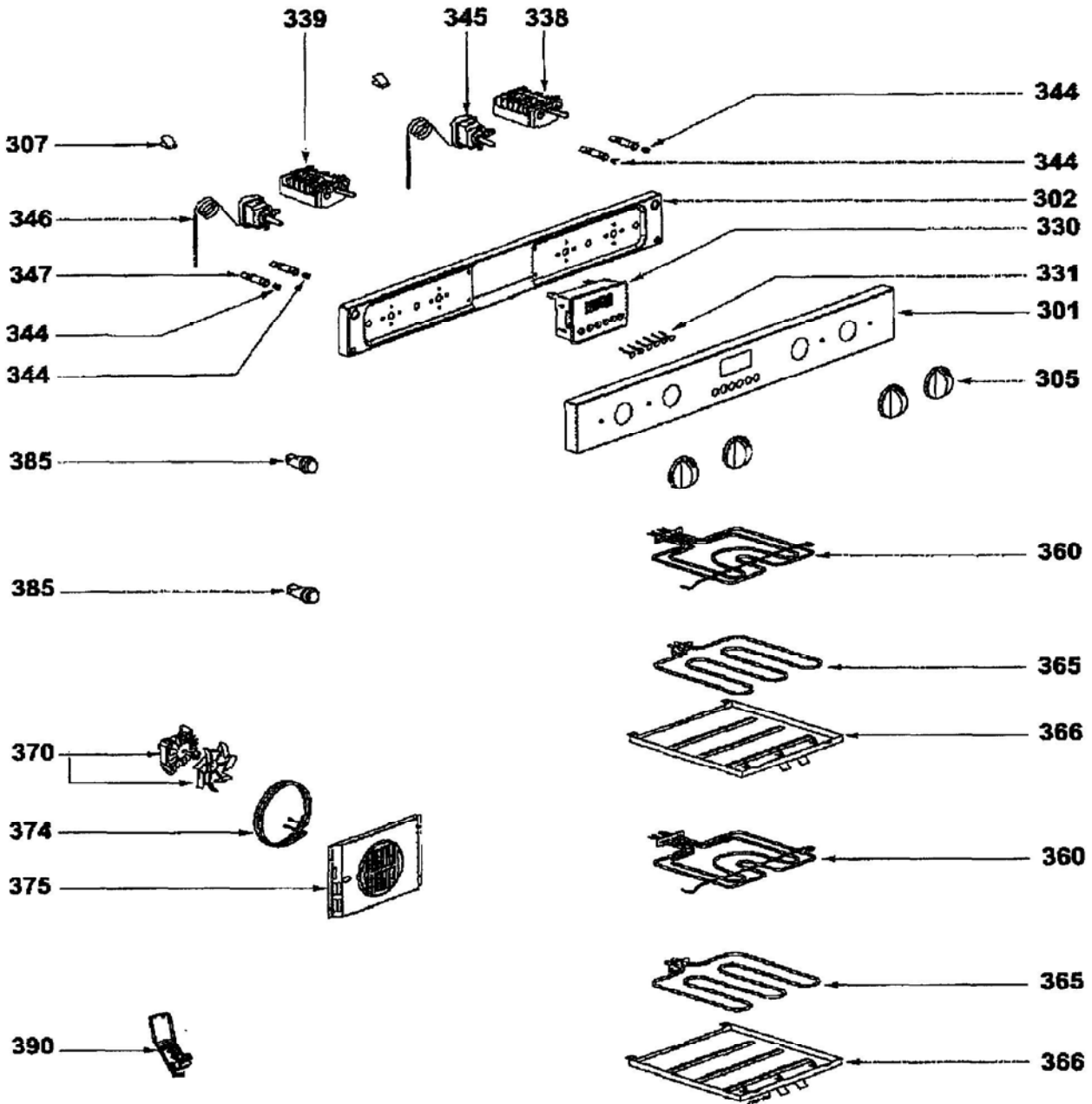


TECHNICAL
INSTRUCTIONS

C402SS



TECHNICAL
INSTRUCTIONS



FM3-005

C402SS



TECHNICAL
INSTRUCTIONS

C402SS



TECHNICAL
INSTRUCTIONS

REP.	REF. SAV	DESIGNATION	REP.	REF. SAV	DESIGNATION
301	74X9051	GLACE BANDEAU INOX STAINLESS STEEL ICE	347	74X8376	VOYANT INDICATOR
302	74X9028	SUPPORT BANDEAU STRIP SPT	380	74X9032	RESISTANCE GRILL 750/1000W RESISTOR, GRILL 750/1000W
305	74X9048	MANETTE CONTROL KNOB	365	74X9031	RESISTANCE DE SOLE 850W BOTTOM ELEMENT 850W
307	74X8374	RESSORT DE FIXATION FIXING SPRING	366	74X9036	SUPPORT RESISTANCE RESISTOR SPT
330	74X9052	PROGRAMMATEUR TIMER	370	74X9020	MOTOVENTILATEUR FAN-MOTOR
331	74X9053	BOUTON PROGRAMMATEUR PROGRAMMER KNOB	374	74X9035	RESISTANCE VENTILEE VENTILATED RESISTANC
338	74X9050	COMMUTATEUR FOUR SELECTOR, OVEN	375	74X9034	DIFFUSEUR DIFFUSER
339	74X9057	COMMUTATEUR FOUR SELECTOR, OVEN	386	74X8358	ENSEMBLE ECLAIRAGE LIGHTING ASSEMBLY
344	74X8377	CABOCHON ROUGE RED CAP	390	74X9019	BORNIER TERMINAL BLOCK
344	74X8378	CABOCHON CAP			
345	74X9049	THERMOSTAT FOUR OVEN THERMOSTAT			
346	74X8371	THERMOSTAT FOUR OVEN THERMOSTAT			

C402SS



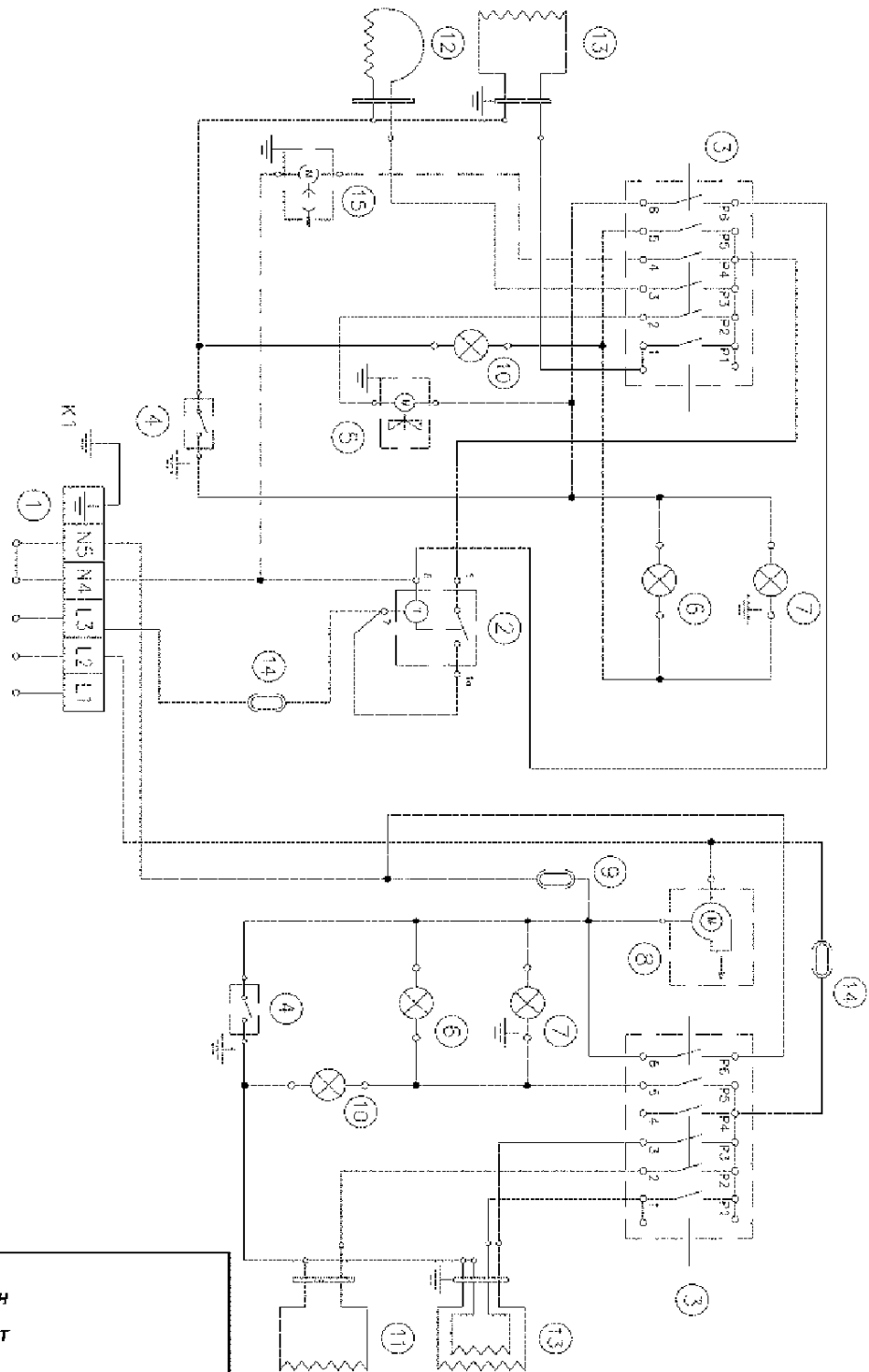
TECHNICAL
INSTRUCTIONS

ELECTRIC OVEN

C402SS
C402SS1

CABLE

TECHNICAL
INSTRUCTIONS



- 1- TERMINAL BLOCK
- 3- OVEN SELECTOR SWITCH
- 7- OVEN LIGHT
- 13- GRILL HEATING ELEMENT
- 9-14- SAFETY THERMOSTAT
- 15- ROTISSERIE MOTOR
- 8- TANGENTIAL FAN
- 5- CENTRIFUGAL HELICAN FAN
- 2- TIMER
- 11- BOTTOM HEATING ELEMENT
- 4- THERMOSTAT
- 13- TOP HEATING ELEMENT
- 12- VENTILATED RESISTANC
- 6-10- THERMOSTAT WARNING LIGHT

FO 2.800.054