



C2471SS

Electric pyrolytic single oven

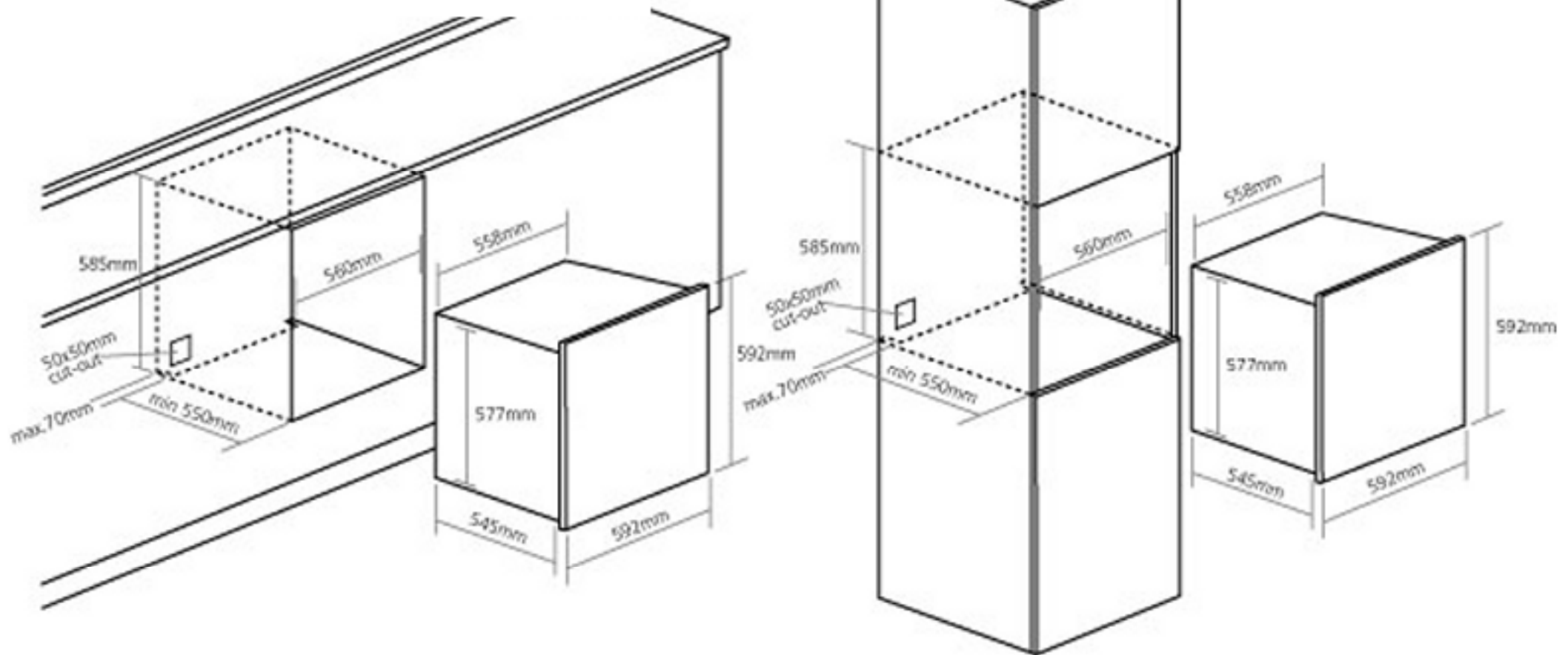


INSTRUCTION MANUAL



C2471SS

Electric pyrolytic single oven



C2471SS

Electric pyrolytic single oven

AFTER SALES SERVICE DATA

- Operating instructions : -
- Servicing guide : -

OVERALL DESCRIPTION

- Date of manufacture : 01/2009
- Standards : CE
- Type : Electric oven
- Colour : Stainless steel
- Oven lighting : Yes
- Programmer : Yes
- Roasting rack : No
- Support grate : Yes
- Multiuse drip pan : Yes
- Drip pan + grate + grip : Yes
- Pastry pan : No
- Pan : No
- Glass pan : No
- Perforated pan : No
- Wire slide : Yes
- Oven cleaning type : Pyrolytic
- Diagnosis assistance : -

ELECTRICAL CONNECTIONS

- Power cord : Yes
- Voltage (single phase) : 220 –240 V
- Frequency : 50 Hz
- Current : 16 A
- Power : 3385 W

OVEN ELECTRICAL DATA

- Large oven
 - Top / Grill : 2100 W
 - Bottom : 1200 W
 - Circular : 2000 W
- Small oven
 - Top / Grill : -
 - Bottom : -

DIMENSIONS

| | Overall | Recess | Large oven cavity | Small oven cavity |
|--------|---------|--------|-------------------|-------------------|
| Height | 592 mm | 585 mm | 320 mm | - mm |
| Width | 592 mm | 560 mm | 435 mm | - mm |
| Depth | 609 mm | 550 mm | 380 mm | - mm |

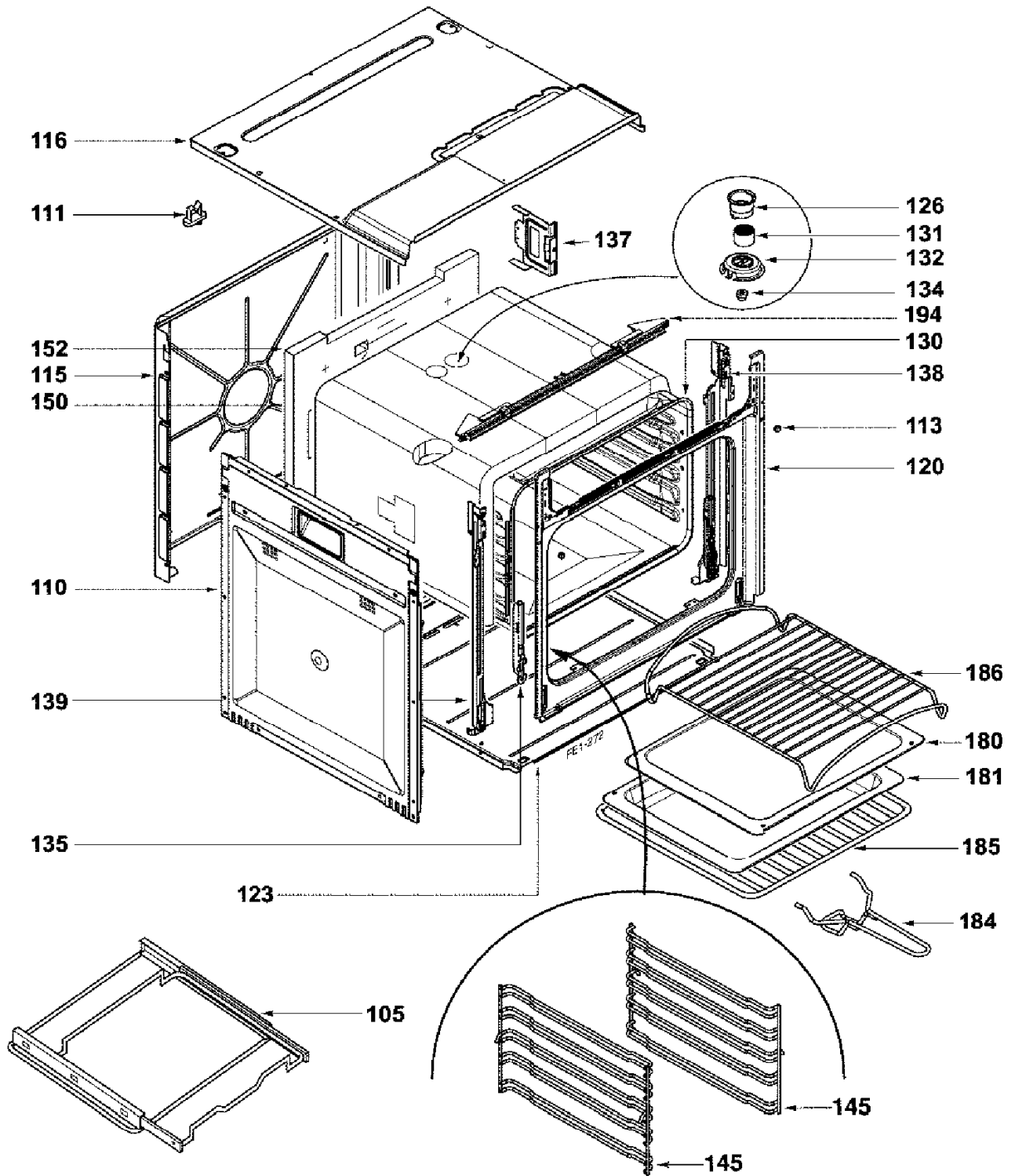
- Large oven useful capacity : 53 l
- Net weight : 34 kg
- Gross weight : 38 kg
- Small oven useful capacity : -

CONSUMPTION

- Build up to 200 °C : 0,345 KW/h
- Holding 1h at 200 °C : 0,535 KW/h
- * For 20 °C ambient temperature
- 80 minute pyrolysis : 3 KW/h
- 90 minute pyrolysis : 3,40 KW/h
- 120 minute pyrolysis : 4,56 KW/h

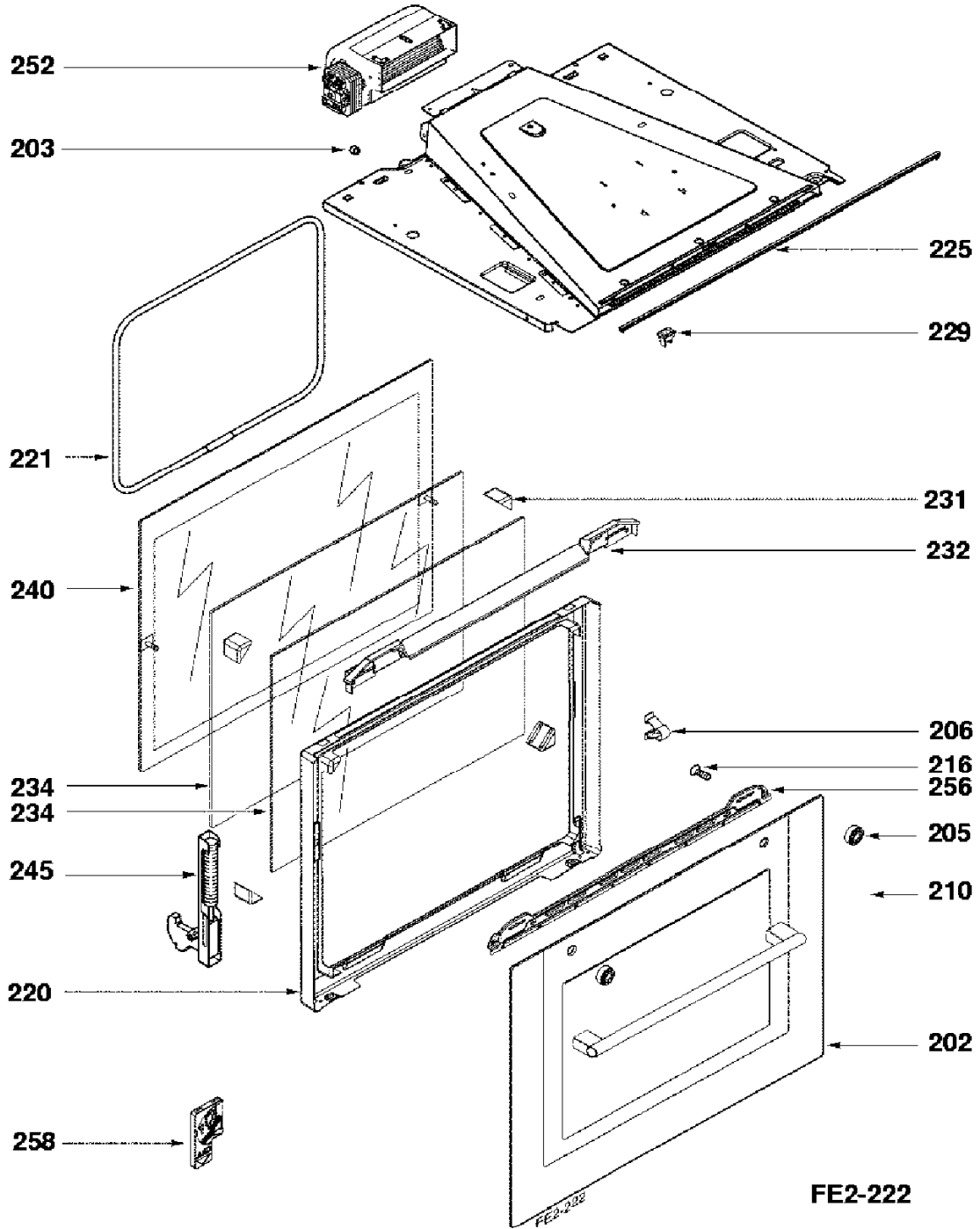
C2471SS

Electric pyrolytic single oven



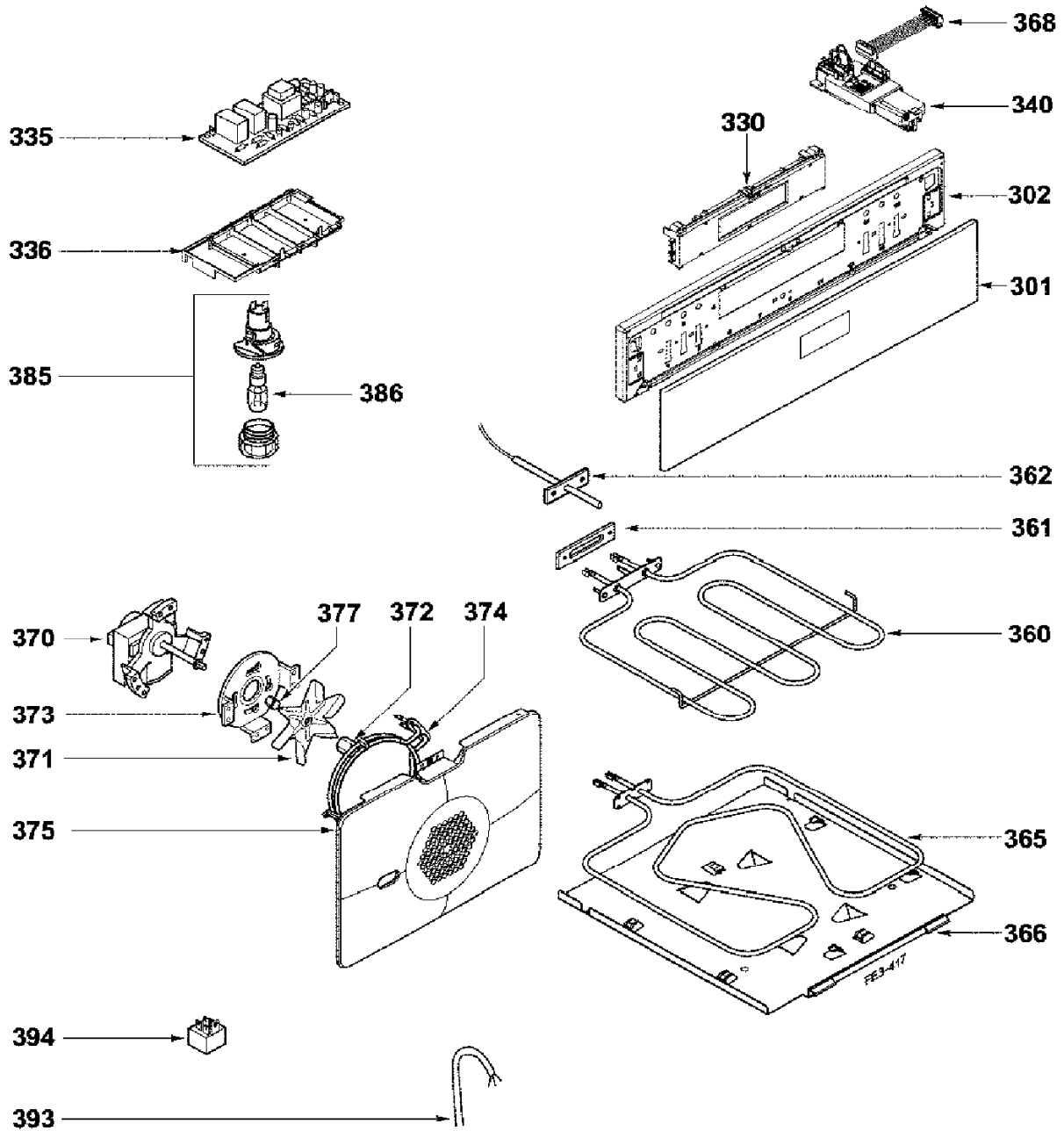
C2471SS

Electric pyrolytic single oven



C2471SS

Electric pyrolytic single oven



FE3-417

C2471SS

Electric pyrolytic single oven

| REP. | REF. SAV | DESIGNATION | REP. | REF. SAV | DESIGNATION |
|------|----------|--|------|----------|--|
| 0 | 87X8097 | NOTICE D'UTILISATION INSTRUCTIONS FOR USE | 134 | 77X8589 | ECROU BORGNE ACORN NUT |
| 105 | 72X5345 | PLAT SORTANT OUTPUT PLATE | 135 | 74X2341 | ETRIER BRACKET |
| 110 | 72X9865 | COTE D'HABILLAGE SIDE, CLADDING | 137 | 74X3201 | PATTE DE MOUFLE CAVITY CLAMP |
| 111 | 94X3441 | ATTACHE (=X6) ATTACHMENT (=X6) | 138 | 74X2305 | MONTANT DR RIGHT COLUMN |
| 113 | 74X3852 | SACHET BUTEES DISASSEMBLY STOP | 139 | 74X2304 | MONTANT GC LEFT COLUMN |
| 115 | 70X0911 | CAPOT ARRIERE REAR COVER | 145 | 72X9148 | GRADIN FILS SELF SUPPORT |
| 116 | 70X0417 | CAPOT SUPERIEUR UPPER COVER | 150 | 74X2338 | CALORIFUGE POURTOUR SURR HEAT SHIELD |
| 120 | 72X0289 | FACADE FOUR FACADE, OVEN | 152 | 74X2339 | CALORIFUGE ARRIERE REAR HEAT INSULATOR |
| 123 | 74X2384 | CLOISON INFERIEURE BOTTOM PANEL | 180 | 71X4395 | PLAT LECHEFRITE 20mm DRIPPING-PAN DISH 20mm |
| 126 | 74X2308 | CHEMINEE FLUE | 181 | 74X9250 | PLAT MULTI USAGES 45 mm MULTI-PURPOSE PLATE 45 mm |
| 128 | 74X2331 | TUBE ASPIRATION VACUUM EXTRACTION PI | 184 | 74X4556 | POIGNEE HANDLE |
| 130 | 72X8755 | MOUFLE CAVITY | 185 | 74X2312 | GRILLE GRID |
| 131 | 72X4095 | CATALYSEUR CATALYZER | 186 | 78X2767 | GRILLE DE LECHEFRITE DRIPPING-PAN GRILL |
| 132 | 74X2307 | EMBASE MOUNTING BASE | 194 | 72X0287 | DEFLECTEUR DEFLECTOR |

C2471SS

Electric pyrolytic single oven

| REP. | REF. SAV | DESIGNATION | REP. | REF. SAV | DESIGNATION |
|------|----------|---|------|----------|--|
| 202 | 70X0916 | GLACE DE PORTE DOOR WINDOW | 229 | 72X0276 | GACHE BOLT |
| 203 | 76X4624 | BUTEE X2 STOP X2 | 231 | 72X0278 | ENTRETOISE (X4) SPACER (X4) |
| 205 | 72X9747 | RONDELLE WASHER | 232 | 72X9244 | BARRETTE SMALL BAR |
| 206 | 72X0273 | CLIPS (X2) CLIP (X2) | 234 | 72X0281 | GLACE INT. PORTE INT. DOOR GLASS |
| 210 | 70X0914 | POIGNEE ASSEMBLEE HANDLE ASSEMBLY | 240 | 72X7151 | GLACE DE BOUCLIER WINDOW SHIELD |
| 216 | 74X0901 | VIS FIXATION POIGNEE HANDLE ATTACH SCREW | 245 | 74X4867 | CHARNIERE DE PORTE DOOR HINGE |
| 220 | 72X0308 | CONTRE PORTE DOOR BACK | 252 | 71X1539 | TURBINE DE BANDEAU FASCIA TURBINE |
| 221 | 74X3787 | JOINT DE BOUCLIER SEAL, SHIELD | 256 | 70X0913 | TRAVERSE SUPERIEURE UPPER CROSS-PIECE |
| 225 | 72X0288 | JOINT FACADE SEAL, FACADE | 258 | 72X0283 | BUTEE DE DEMONTAGE DISASSEMBLY STOP |

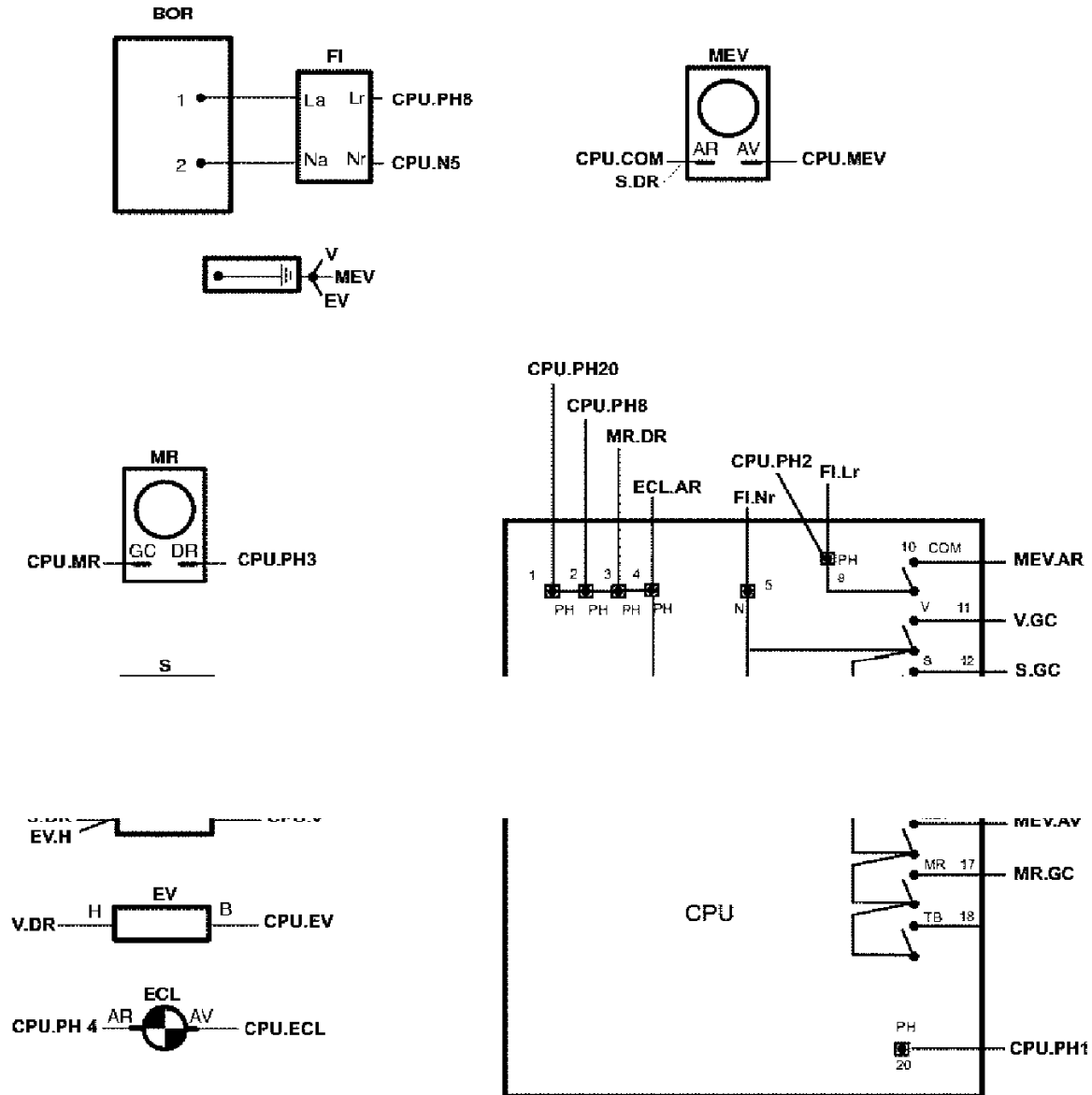
C2471SS

Electric pyrolytic single oven

| REP. | REF. SAV | DESIGNATION | REP. | REF. SAV | DESIGNATION |
|------|----------|--|------|----------|--|
| 301 | 70X0917 | BANDEAU INOX STAINLESS STEEL FASC | 370 | 74X5160 | MOTOVENTILATEUR FAN-MOTOR |
| 302 | 72X9751 | SUPPORT BANDEAU STRIP SPT | 371 | 74X6900 | TURBINE TURBINE |
| 330 | 70X0439 | CARTE AFFICHEUR DISPLAY CARD | 372 | 76X6102 | ECROU DE TURBINE NUT, TURBINE |
| 335 | 70X0437 | CARTE DE PUISSANCE POWER CARD | 373 | 77X3517 | SUPPORT VENTILATEUR VENTILATOR SUPPORT |
| 336 | 71X3446 | SUPPORT HOLDER | 374 | 77X2277 | RESISTANCE 2000W 230V RESISTOR 2000W 230V |
| 340 | 72X4984 | ENS. VERROUILLAGE LOCK ASSEMBLY | 375 | 74X2342 | DIFFUSEUR DIFFUSER |
| 360 | 74X2310 | RESIST. VOUTE/GRIL TOP/GRILL ELEMENT | 377 | 75X2037 | ENTRETOISE SPACER |
| 361 | 75X1483 | JOINT DE VOUTE SEAL, VAULT | 385 | 74X2659 | ENSEMBLE ECLAIRAGE LIGHTING ASSEMBLY |
| 362 | 74X2322 | SONDE DE TEMPERATURE PROBE, TEMPERATURE | 386 | 75X1493 | AMPOULE BULB |
| 365 | 74X3170 | RESISTANCE DE SOLE BOTTOM ELEMENT | 393 | 70X0912 | CORDON SECTEUR ELECTRICALCORD |
| 366 | 74X2311 | TOLE SUPPORT SUPPORT PANEL | 394 | 74X9733 | FILTRE ANTIPARASITES NOISE FILTER |
| 368 | 72X0286 | LIMANDE RIBBON CABLE | | | |

C2471SS

Electric pyrolytic single oven



| | | | |
|-----|-------------------------|-----|--------------------------------|
| BOR | : Terminal box | MTB | : Grill motor |
| CF | : Selector oven | S | : Base plate |
| CPU | : Power card | V | : Vault |
| ECL | : Oven light | VER | : Lock assembly |
| FI | : Filter | VR | : Indicator of regulation |
| KX | : Klaxon | VS | : On/off indicator light |
| MEV | : Heating element motor | VV | : Display indicator regulation |
| MR | : Motoventilator | EV | : Airing resistor |

FO 00704412 C



C2471SS

Electric pyrolytic single oven

