



# CM107

Caple Built-in  
Combination Microwave & Grill

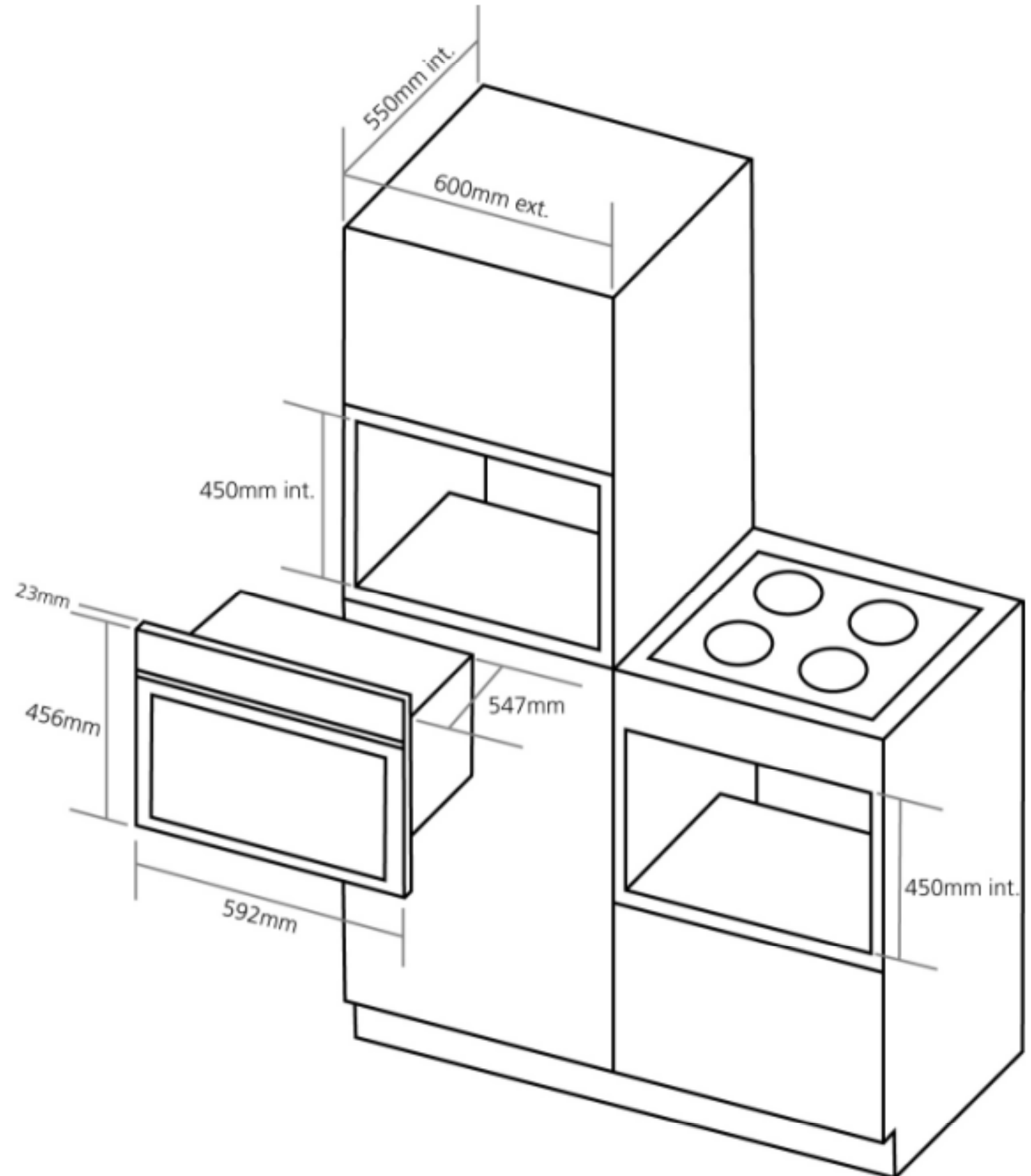


TECHNICAL INFORMATION



# CM107

Cable Built-in  
Combination Microwave & Grill



# CM107

## Caple Built-in Combination Microwave & Grill

### AFTER SALES SERVICE DATA

- Operating instructions : 87X6903
- Servicing guide : -

### OVERALL DESCRIPTION

- Date of manufacture : 10/2007
- Type : Electronic
- Cavity : Enamel
- Colour : INOX

### CHARACTERISTICS

- Power supply : 220/240V 50 Hz
- Current density : 16A
- Maximum consumption : 3400Wh
- Grill power : 1800W
- Hot air power : 1700W
- Microwave maximum power returned (CEI) : 1650W
- Weight bare : 39kg
- Volume : 35l
- Lamp : 25W

### DIMENSIONS

	Overall	Inside	Building-in
Height	456mm	226mm	450mm
Width	593mm	420mm	600mm
Depth	575mm	410mm	550mm

### SAFETY

3. The primary and secondary microswitches control the door closing and stop wave emission if the door is opened.
4. If the primary safety microswitch fails, the control locking contact produces a short-circuit and the fuse melts :
  - **MAGNETRON** : cut off in case of overheating at 130°C.
  - **OVEN** : protected by a 12 A fuse.
  - **GRILL** : cut off in case of overheating at 100°C.

#### WARNING !

**MICROWAVE RADIATION.**  
DO NOT EXPOSE YOURSELF TO THE MICROWAVE GENERATOR RADIATION OR OTHER PARTS UNDER MICROWAVE ENERGY.

Measuring microwave leaks is a must before and after any service on the microwave oven.

It is absolutely forbidden to cancel the securities fitted to the door.

All inlet and outlet microwave connections, wave guides, flanges and gaskets must be safe.

Never use the appliance without a load absorbing the microwaves (water).

Never look into a wave guide or open antenna while the appliance is working.

#### DANGER HIGH VOLTAGE

In the high voltage area, there is a voltage higher than 4000 volts.

The hood must not be removed when the supply cord is connected to the wall socket.

The oven must not be operated if the hood is removed.

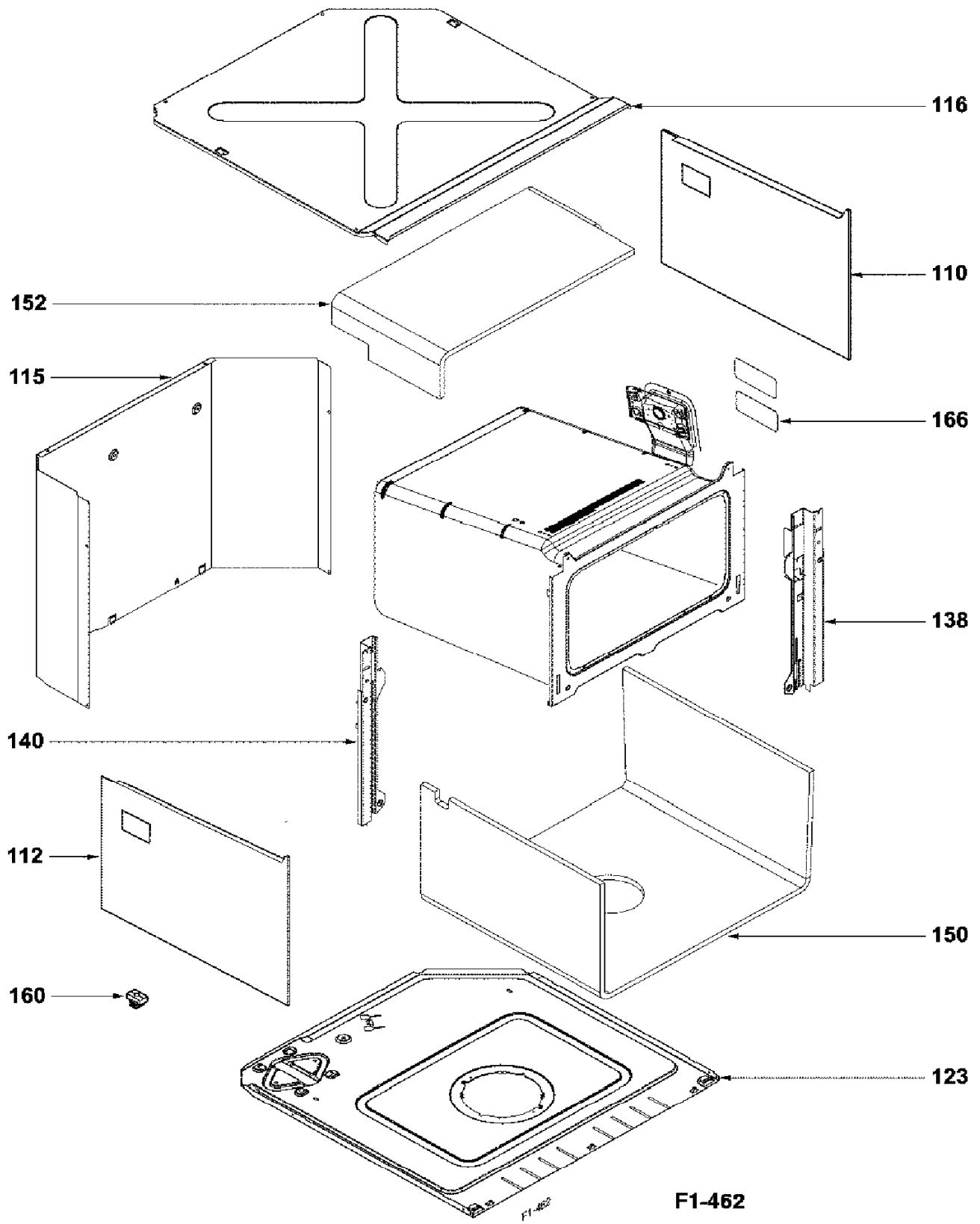
Wait at least 30 seconds after disconnecting the oven, then short-circuit the terminals using pliers with insulated handles before disconnecting the H.V. capacitor.

#### WARNING !

When servicing with the need to cut off the trap (under the motor plate), please replace this trap using the ref. 76X7754 screws.

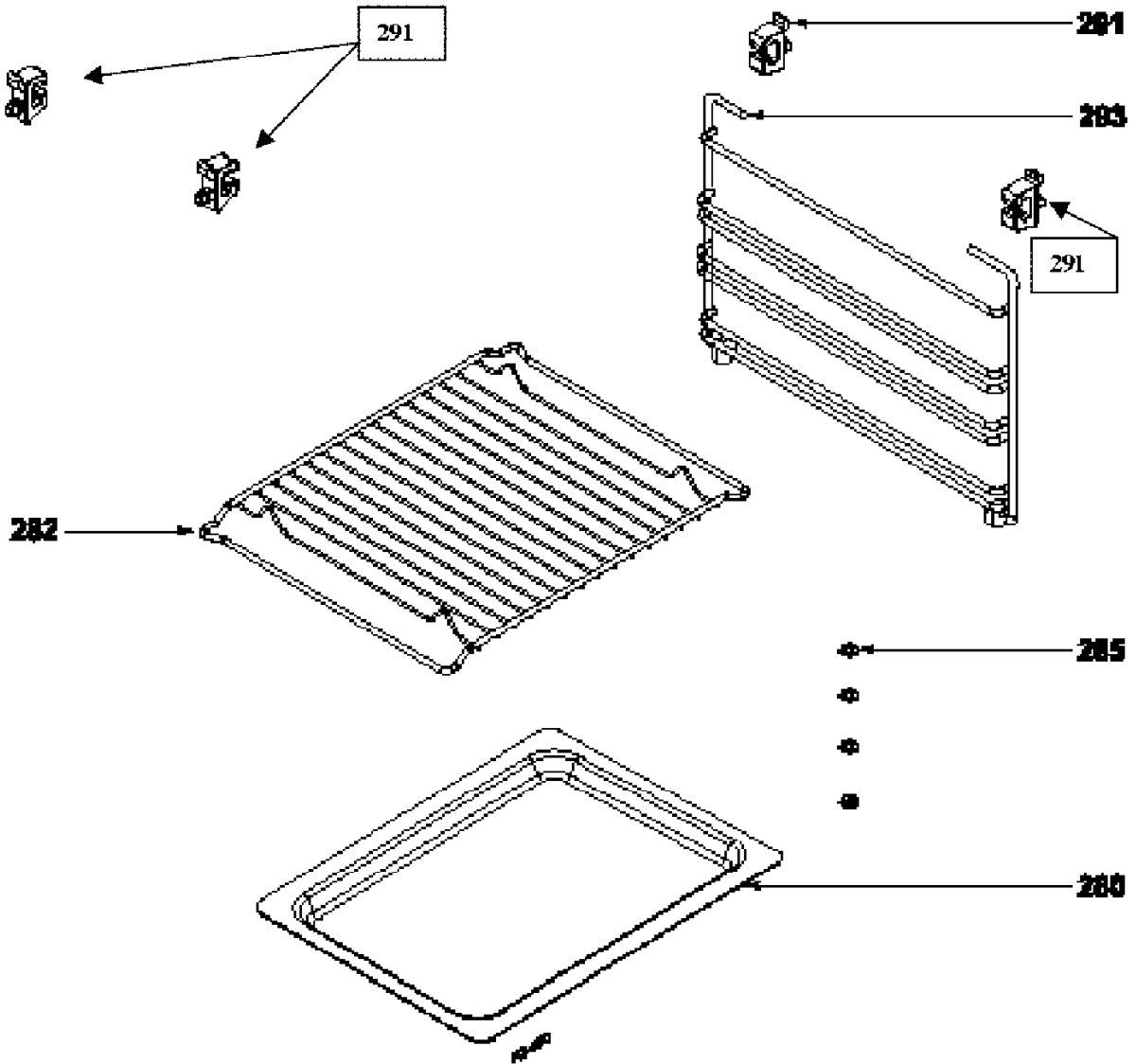
# CM107

Caple Built-in  
Combination Microwave & Grill



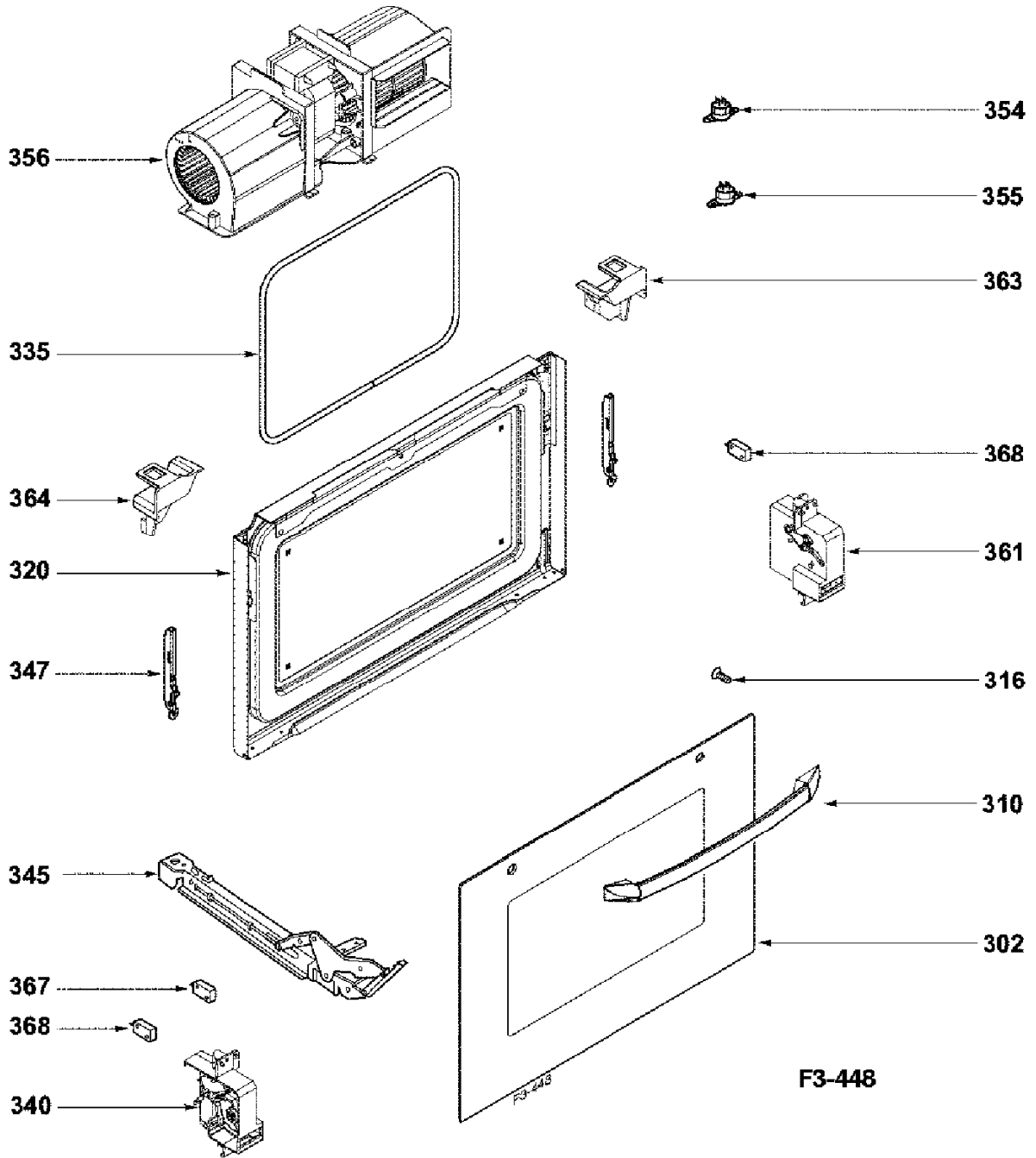
# CM107

Caple Built-in  
Combination Microwave & Grill



# CM107

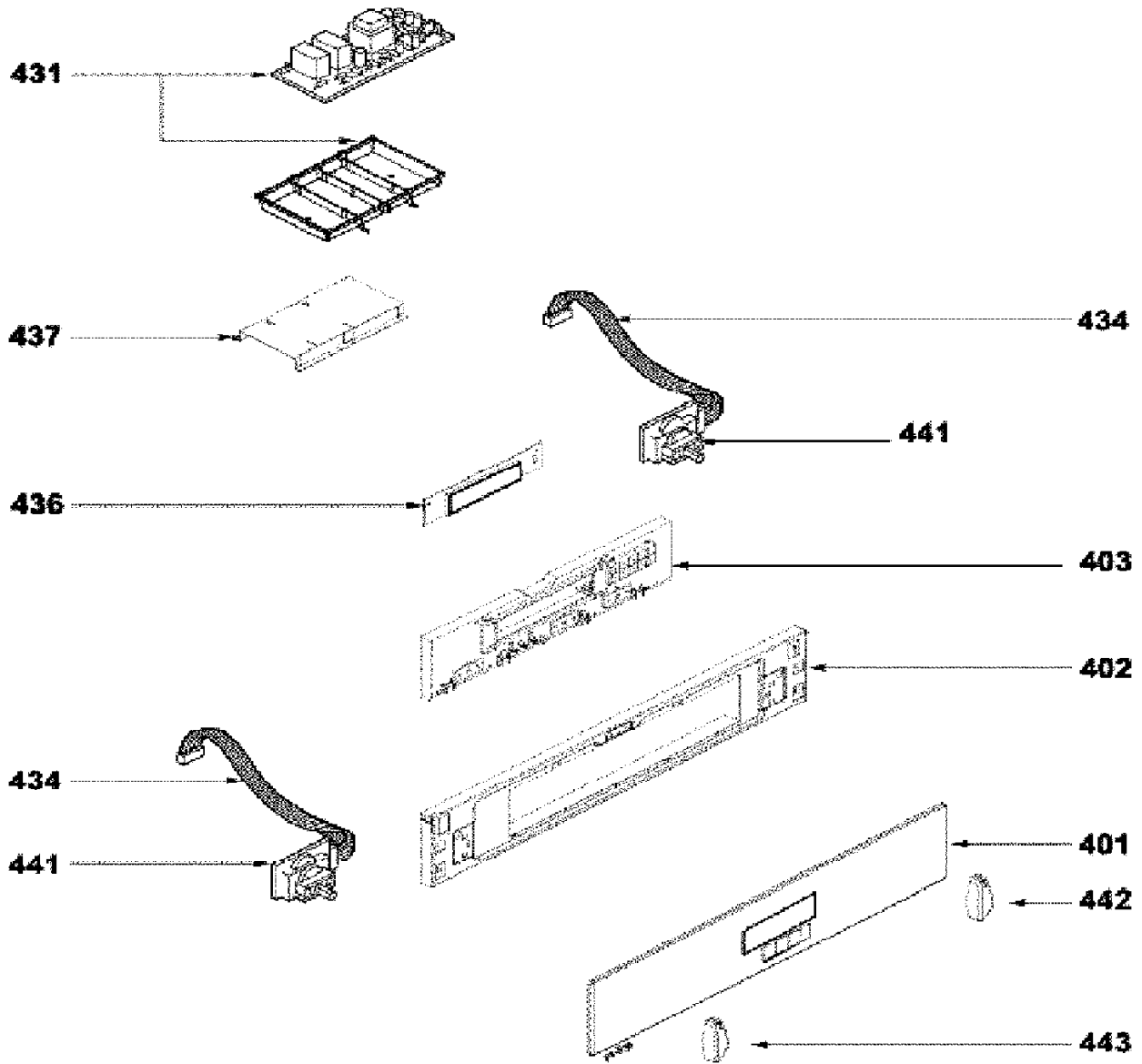
Caple Built-in  
Combination Microwave & Grill





# CM107

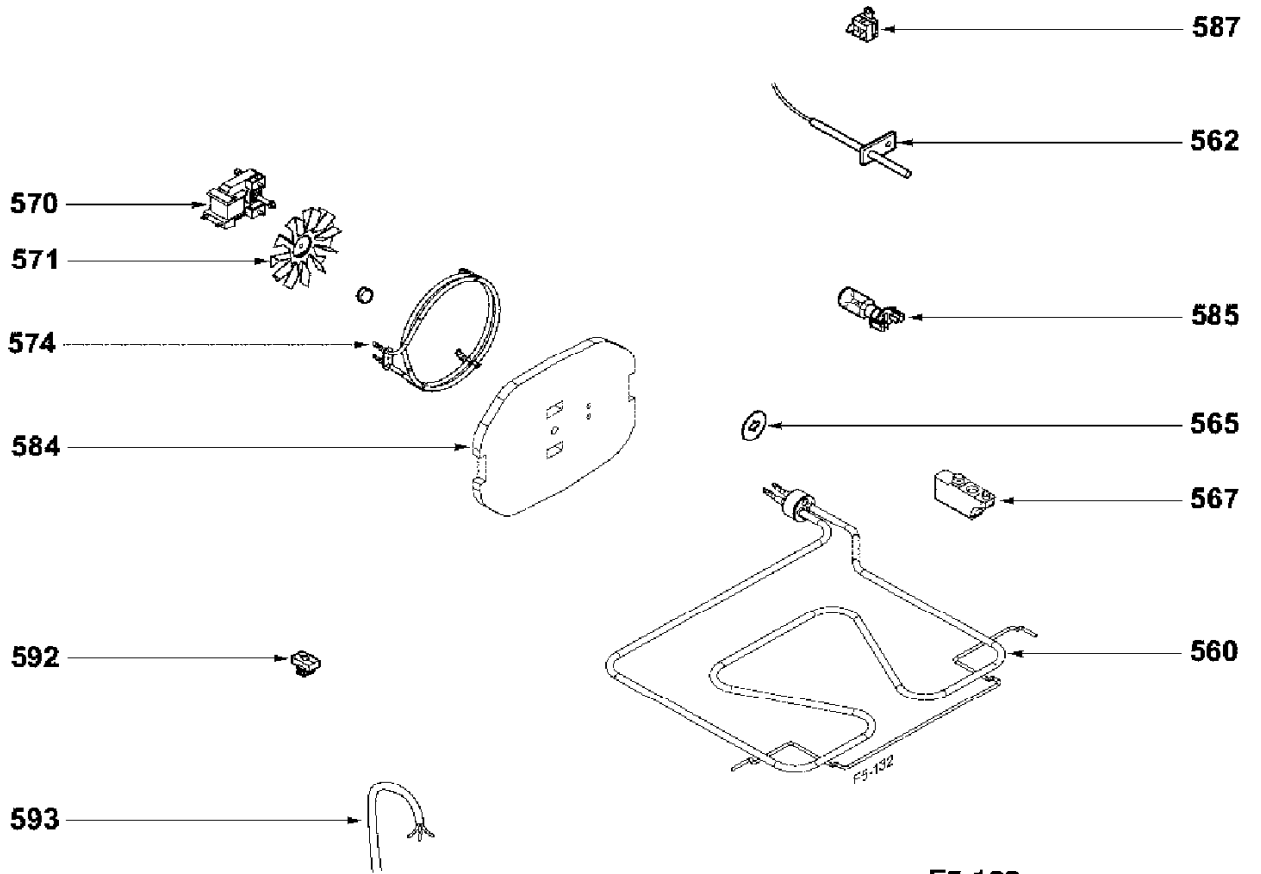
Caple Built-in  
Combination Microwave & Grill



F4-538

# CM107

Caple Built-in  
Combination Microwave & Grill





# CM107

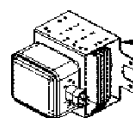
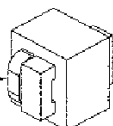
Caple Built-in  
Combination Microwave & Grill

624



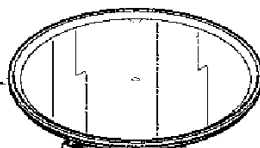
612

630



600

616



646

617



645



603



641



610

F6-018

F6-018

# CM107

## Caple Built-in Combination Microwave & Grill

REP.	REF. SAV	DESIGNATION	REP.	REF. SAV	DESIGNATION
SR	87X6547	NOTICE D'UTILISATION F/GB/D/NL INSTRUCTIONS FOR USE F/GB/D/NL BEDIENUNGSANLEITUNG F/GB/D/NL	138	71X0399	MONTANT GC LEFT COLUMN STREBE LINKS
110	71X0493	COTE D'HABILLAGE DR RIGHT SIDE CASING RE VERKLEIDUNGSMASS	140	71X0400	MONTANT DR RIGHT COLUMN STREBE RECHTS
112	71X0494	COTE D'HABILLAGE GC LEFT SIDE CASING LI VERKLEIDUNGSMASS	150	71X0407	CALORIFUGE MOUFLE HEAT INSULATOR BACKROHRISOLIERUNG
115	71X1172	CAPOT ARRIERE REAR COVER RUCKWAND	152	71X0470	CALORIFUGE SUPERIEUR HEAT INSULATOR WARMEGEDIMMT
116	71X0405	CAPOT SUPERIEUR UPPER COVER ABDECKUNG OBEN	160	94X3441	ATTACHE (=X6) ATTACHMENT (=X6) BEFESTIGUNG (=X6)
123	71X1167	TOLE INFERIEURE LOWER PANEL UNTERES BLECH	166	71X0406	PROTECTEUR D'ONDES WAVE GUARD WELLENSCHUTZ

# CM107

Caple Built-in  
Combination Microwave & Grill

REP.	REF. SAV	DESIGNATION	REP.	REF. SAV	DESIGNATION
280	79X7440	PLAT EN VERRE GLASS DISH/PLATE GLASSCHALE	293	71X0410	GRADIN SHELF SUPPORT AUFLAGEROST
282	71X0409	GRILLE GRID GITTER			
285	75X1361	CLIPS CLIP CLIPS			
291	71X0408	SUPPORT GRILLOIR GRILL SUPPORT GRILLGERÄTTRÄGER			

# CM107

## Caple Built-in Combination Microwave & Grill

REP.	REF. SAV	DESIGNATION	REP.	REF. SAV	DESIGNATION
302	72X6782	FACADE PORTE DOOR FRONT TURAUSSENSEITE	354	75X2775	THERMOSTAT THERMOSTAT THERMOSTAT
310	72X6781	POIGNEE ASSEMBLEE HANDLE ASSEMBLY GRIFF MONTIERT	355	74X0128	THERMOSTAT TH 145° THERMOSTAT TH 145° THERMOSTAT TH 145°
316	72X1533	VIS FIXATION POIGNEE HANDLE ATTACH SCREW SCHRAUBE GRIFF	356	71X0417	MOTEUR TURBINE TURBINE MOTOR TURBINENMOTOR
320	71X0419	PORTE ASSEMBLEE DOOR ASSEMBLED Tür MONTIERT	361	72X0817	SERRURE LOCK SCHLOSS
335	71X0468	JOINT FACADE SEAL, FACADE FASSADENDICHTUNG	363	71X0488	PENE DE SERRURE LOCK BOLT VERSCHLUSSRIEGEL
340	72X0818	SERRURE LOCK SCHLOSS	364	71X0489	PENE DE SERRURE LOCK BOLT VERSCHLUSSRIEGEL
345	71X0460	CHARNIERE ASSEMB. HINGE ASSEMBLY SCHARNIER MONTIERT	367	71X1235	SWITCH DE PORTE DOOR MICROSWITCH TUER-MIKROSHALTER
347	74X2341	ETRIER BRACKET BÜGEL	368	71X1237	SWITCH DE PORTE DOOR MICROSWITCH TUER-MIKROSHALTER
0	71X0475	RESSORT BRACKET BÜGEL	370	71x1475	EMBASE DE POIGNEE COLUMN POIGNEE GRIFF POIGNEE

# CM107

## Caple Built-in Combination Microwave & Grill

REP.	REF. SAV	DESIGNATION	REP.	REF. SAV	DESIGNATION
401	72X6783	BANDEAU INOX STAINLESS STEEL FASC BAND ROSTFREI	435	77X8571	SUPPORT HOLDER HALTERUNG
402	72X1525	SUPPORT BANDEAU STRIP SPT HALTERUNG BAND	436	72X1531	CARTE AFFICHEUR DISPLAY CARD KARTE ANZEIGE
403	72X1528	SUPPORT CARTE AFFIC. PROG. CARD MOUNTING TRÄGER PROGRAMMKARTE	437	71X0486	SUPPORT CARTE CARD SUPPORT KARTENTRÄGER
431	72X6780	CARTE DE PUISSANCE POWER CARD LEISTUNGSKARTE	438	71X1446	SELECTEUR 12P SELECTOR 12P WAHLSCHALTER 12P
434	71X0466	FIL.CLAVIER/CARTE/SELECTEUR KEYPAD/CARD WIRE DR. TASTATUR/KARTE	441	71X1445	SELECTEUR SELECTOR WAHLSCHALTER
			442	74X8810	BOUTON KNOB KNOPF KNOPF

# CM107

Caple Built-in

Combination Microwave & Grill

REP.	REF. SAV	DESIGNATION	REP.	REF. SAV	DESIGNATION
560	71X0479	RESISTANCE GRILL RESISTOR, GRILL WIDERSTAND GRILL	574	71X0496	RESISTANCE VENTILEE VENTILATED RESISTANC LÜFTUNGSWIDERSTAND
562	77X9558	THERMISTANCE THERMISTOR THERMISTOR	584	71X0497	CALORIFUGE ARRIERE REAR HEAT INSULATOR RUCKWANDISOLIERUNG
565	77X9557	COUPELLE CUP BEARING SCHALE LAGER	585	76X7882	LAMPE LAMP LAMPE
567	71X0481	SUPPORT GRILLOIR GRILL SUPPORT GRILLGERÄTTRÄGER	587	76X8059	THERMOSTAT 130° THERMOSTAT 130° THERMOSTAT 130°
570	77X7779	MOTEUR MOTOR MOTOR	592	76X5601	PASSE FILS GROMMET DRAHTDURCHFÜHRUNG
571	75X0152	TURBINE TURBINE TURBINE	593	71X1210	CORDON SECTEUR CORD, MAINS NETZKABEL

--	--	--	--	--	--

# CM107

Caple Built-in

Combination Microwave & Grill

REP.	REF. SAV	DESIGNATION	REP.	REF. SAV	DESIGNATION
600	71X0464	MAGNETRON MAGNETRON MAGNETRON	624	71X0495	VERIN JACK ZYLINDER
603	71X0491	ENTRAINEUR DRIVE MITNEHMER	630	71X1176	TRANSFORMATEUR TRANSFORMER TRANSFORMATOR
610	76X7877	MOTEUR PLATEAU TURNTABLE MOTOR MOTOR SCHEIBE	641	71X1177	CACHE MOTEUR MOTOR COVER MOTORABDECKUNG
612	71X0465	THERMOSTAT SECURITE SAFETY THERMOSTAT SICHERHEITSTHERMOSTA	645	76X4030	CONDENSATEUR CAPACITOR KONDENSATOR
616	71X0492	PLATEAU TOURNANT TURNTABLE DREHSCHEIBE			
617	71X0490	CERCEAU EQUIPE HOOP REIFEN			

