



WMI2001

Caple Integrated Washing Machine

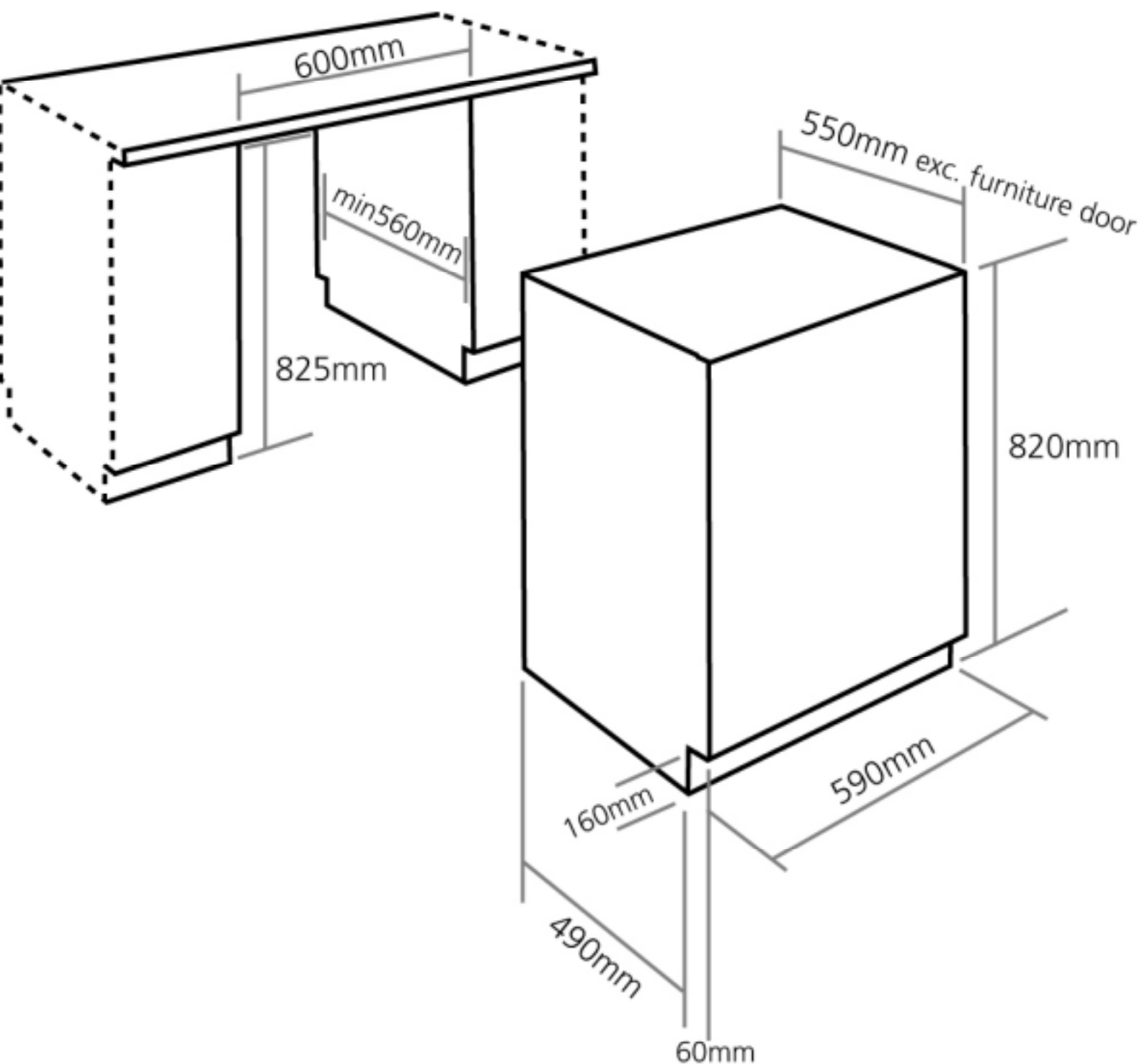


TECHNICAL INFORMATION



WMI2001

Caple Integrated Washing Machine



WMI2001

Caple Integrated Washing Machine

AFTER SALES SERVICE DATA

- Operating instructions : -
- Servicing guide : -

OVERALL DESCRIPTION

- Date of manufacture : 11/2006
- Standards : CE, IXP4
- Base frame : -
- Capacity : 6 kg
- Colour : -
- Width : 590 mm
- Net weight : 67 kg
- Gross weight : 69 kg
- Drum rotation speed : -
- Spinning : 1100 t/mn

ELECTRICAL DATA

- Supply voltage : 220/240 V
- Frequency : 50 Hz
- Maximum current density : 10 A
- Total electrical power : 2250W

WATER SUPPLY

- 3 way solenoid valve.

	V1	V2	V3	V4	V5
Flow rate (l/mn)					
Ohmic value (Ω)					

DRAIN PUMP

- Electrical power : -
- Flow rate : -
- Ohmic value at 20 °C : -

HEATING

- Immersion heater
 - Power : 2000 W
 - Ohmic value at 20 °C : -

PROGRAMMING

- Power PCB type : -
- Programming type : -
- Test programme :

DRIVE

- Induction motor : -
 - HS winding value : -
 - Main : -
 - Auxiliary : -
 - LS winding value : -
 - Brown and yellow : -
 - Green and Yellow : -
 - Brown and Green : -
 - Starting capacitor : -
- Synchronous motor : Yes
 - Stator winding value : -
 - Rotor winding value : -
 - Tacho generator : -

TEMPERATURE CONTROL

- By adjustable thermostat : YES
- A ___ k Ω potentiometer enables the selection of cold temperature at 90 °C using the module that reads the information through the sensor.
- A ___ position switch (cold, 30 °C to 90 °C) controlling a ___ k Ω \pm ___ % thermistor at ___ °C.
-

SECURITIES

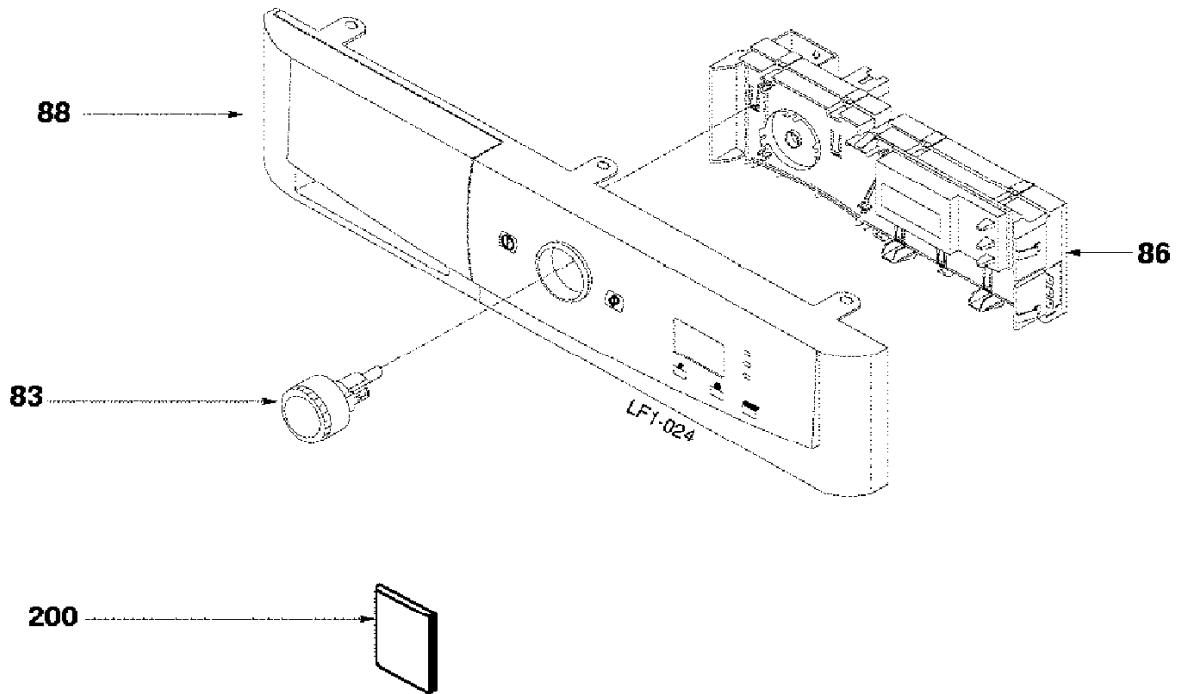
- Heating
 - A resettable 92 °C thermostat : NO
 - A thermal device locks the door during the washing cycle. Its action extends about 2 minutes after the machine has stopped.
 - A thermal device locks the door during the drainage / spinning operations.

PERFORMANCE

Temperatures	Water (l)	Time (mn)	Power (kW)
At 60°C	49	130	1,02

WMI2001

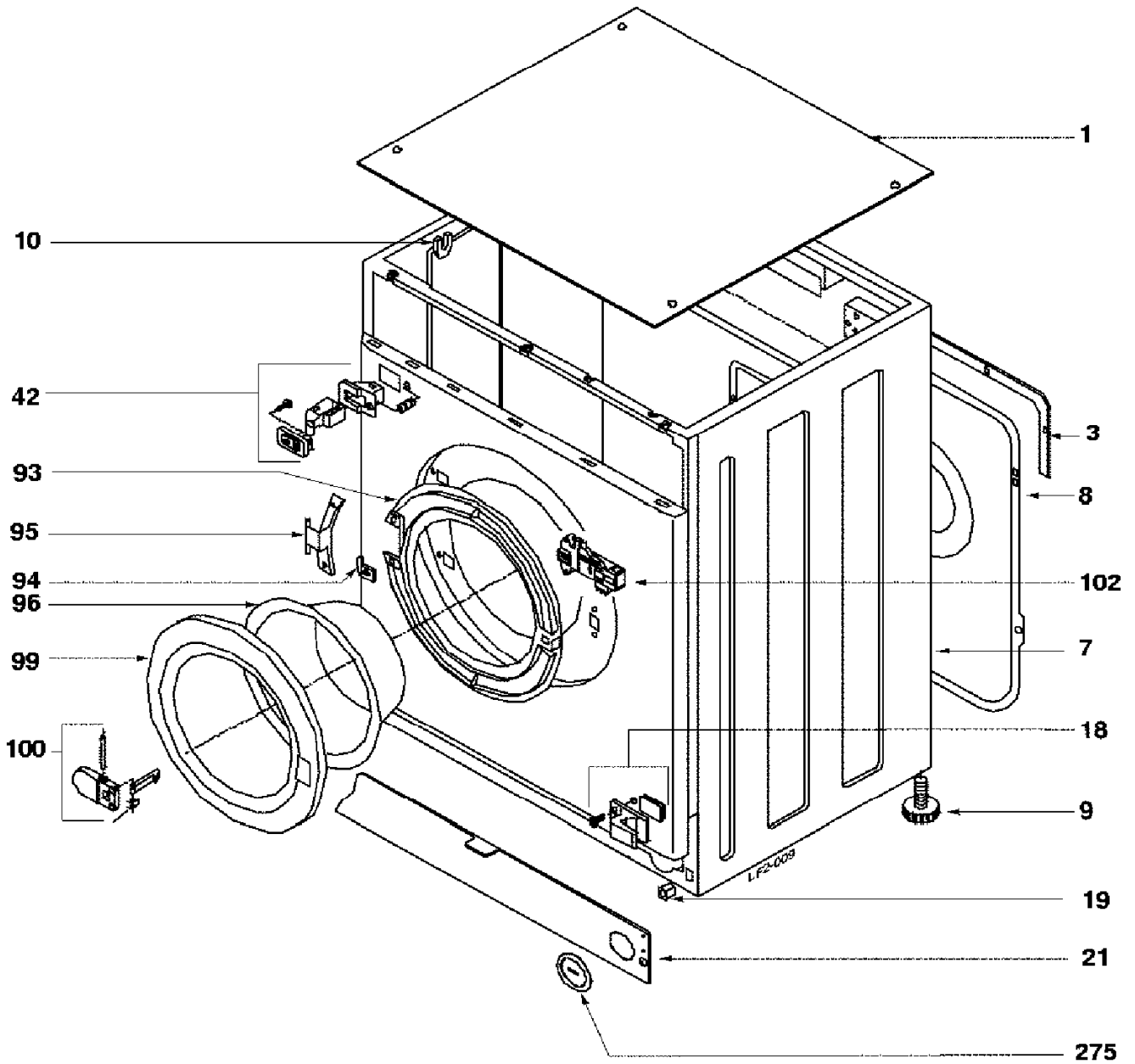
Caple Integrated Washing Machine



LF1-024

WMI2001

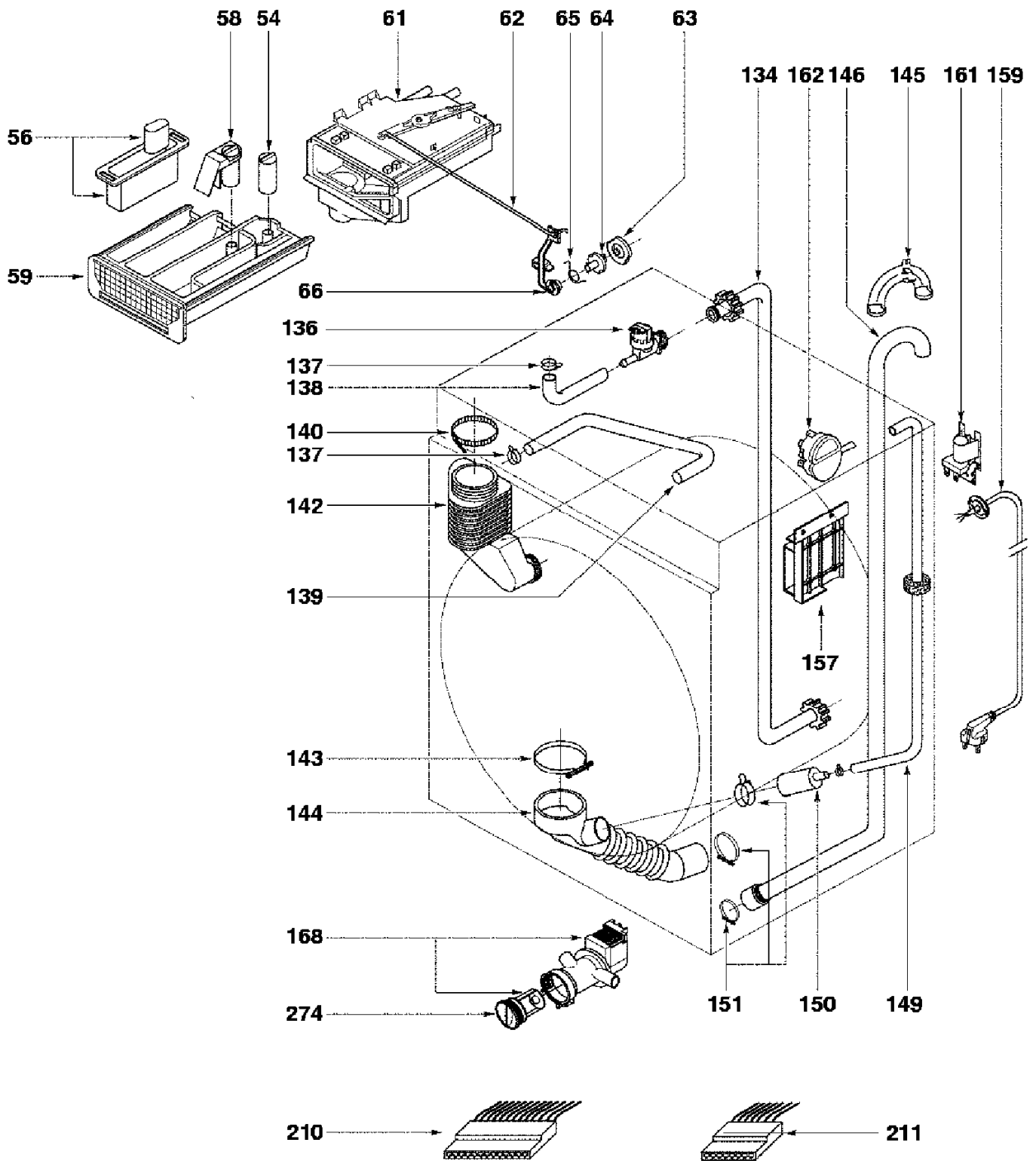
Caple Integrated Washing Machine



LF2-009

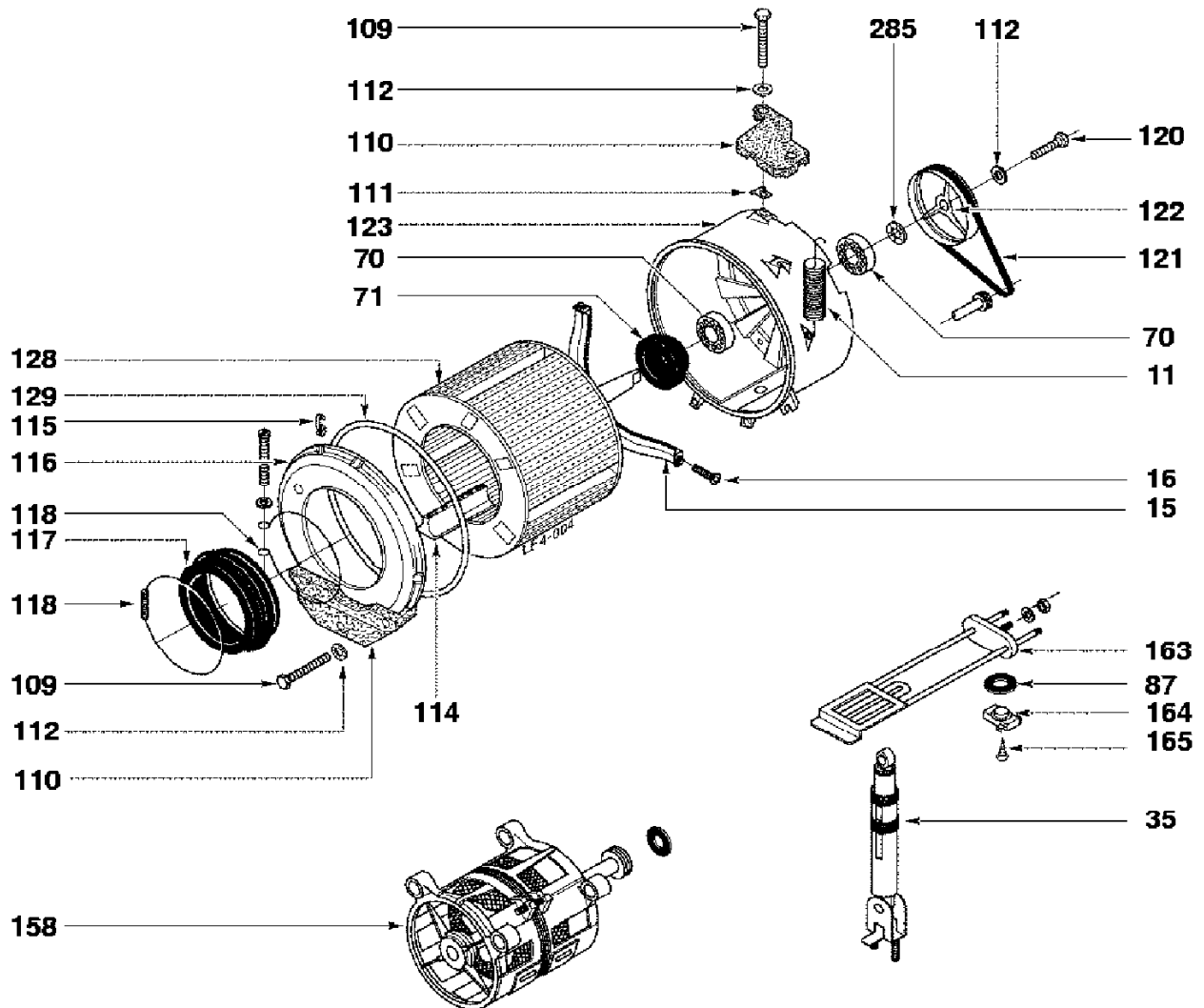
WMI2001

Caple Integrated Washing Machine



WMI2001

Caple Integrated Washing Machine



LF4-004



WMI2001

Caple Integrated Washing Machine

REP.	REF. SAV	DESIGNATION	REP.	REF. SAV	DESIGNATION
SR	96X0994	FLERIE CIRCUITRY	200	85X1025	NOTICE D'UTILISATION INSTRUCTIONS FOR USE
83	52X4675	BOUTON PROGRAMMATEUR PROGRAMMER KNOB			
86	52X3891	CARTE ELECTRONIQUE ELECTRONIC CARD			
88	52X4676	BANDEAU DE COMMANDE CONTROL PANEL			

WMI2001

Caple Integrated Washing Machine

REP.	REF. SAV	DESIGNATION	REP.	REF. SAV	DESIGNATION
SR	52X2181	GABARIT DE MONTAGE ASSEMBLY JIG	21	96X1020	PLINTHE PLINTH
SR	52X2182	KIT ENCASTREMENT BUILT-IN FITTING KIT	42	52X2178	FERMETURE DE PORTE DOOR CLOSER
1	55X9998	COUVERCLE >1000TRS COVER >1000TRS	93	52X2170	CONTRE PORTE DOOR BACK
3	55X9888	ENJOLIVEUR ARRIERE REAR TRIM	94	52X1711	RENFORT CHARNIERE R'FORCEMENT, HINGE
7	52X2151	HABILLAGE BLANC WHITE CASING	95	52X2171	CHARNIERE DE HUBLOT WINDOW HINGE
8	55X9889	TOLE ARRIERE REAR PLATE	96	55X9900	HUBLOT WINDOW
9	52X0077	PIED REGLABLE ADJUSTABLE LEG	99	52X2172	CADRE DE HUBLOT WINDOW SURROUND
10	55X9895	EMBOUT END	100	96X1004	MANETTE CONTROL KNOB
18	52X2175	CHARNIERE DE PORTE =(X2) DOOR HINGE =(X2)	102	52X0984	SECURITE DE PORTE DOOR SAFETY DEVICE
19	52X2522	TAQUET DOG	275	52X0861	BOUCHON PLUG

WMI2001

Caple Integrated Washing Machine

REP.	REF. SAV	DESIGNATION	REP.	REF. SAV	DESIGNATION
56	52X0010	KIT LESSIVE LIQUIDE KIT, LIQUID DETERGE	144	52X1120	DURIT CUVE/POMPE PUMP TANK HOSE
58	55X9916	SYPHON SYPHON	145	55X2845	SUPPORT TUYAU PIPE SPT
59	52X0094	TIROIR A LESSIVE WASHING POWDER DRAWE	146	41X0115	TUYAU PIPE
61	52X0095	BOITE A PRODUITS DETERGENT BOX	149	55X9910	TUYAU PRESSOSTAT PRESSURE SWITCH PIP
134	55X9904	TUYAU D'ALIMENTATION SUPPLY PIPE	150	55X9911	MANCHETTE SLEEVE
136	52X3570	ELECTROVANNE 3VOIES ELEC.VALVE 3-WAY	151	55X9981	ENS.BLOCAGE TUYAU PIPE LOCKING ASSEMBL
137	55X5668	COLLIER FIXATION SKIRT, ATTACHING	159	52X1971	CORDON SECTEUR CORD, MAINS
138	55X9905	TUYAU DE LAVAGE WASHING PIPE	161	52X3571	FILTRE ANTIPARASITES FILTER NOISE
139	52X0103	TUYAU ANTI CONDENS. ANTI CONDENSATION PI	162	95X6637	PRESSOSTAT PRESSURE SWITCH
140	52X0011	COLLIER FIXATION SKIRT, ATTACHING	168	52X3572	POMPE DE VIDANGE PUMP, DRAIN
142	55X9906	DURIT BOITE CUVE FLEX HOSE, TUB BOX	274	52X3871	FILTRE FILTER
143	55X9907	COLLIER FIXATION SKIRT, ATTACHING			

WMI2001

Caple Integrated Washing Machine

REP.	REF. SAV	DESIGNATION	REP.	REF. SAV	DESIGNATION
SR	52X1296	ECROU NUT	118	55X9946	COLLIER FIXATION SKIRT, ATTACHING
11	55X9941	RESSORT SUSPENSION TANK SUSPENS.SPRING	118	52X3048	COLLIER FIXATION JOINT HUBLLOT SKIRT, SEAL ATTACHING
15	52X2601	CROISILLON AVEC AXE SPIDER WITH PIN	120	55X9954	ECROU NUT
16	55X9968	VIS FIX.CROISILLON TORX CROOS BAR FIX. SCREW TORX	121	52X0032	COURROIE 1184J5 BELT 1184J5
35	52X0093	AMORTISSEUR 120 SHOCK ABSORBER 120	122	52X0033	POULIE TAMBOUR DRUM PULLEY
70	52X0883	ROULEMENT BEARING	123	52X1687	CUVE PLASTIQUE 47L TUB, PLASTIC 47L
71	55X9980	BAGUE D'ETANCHEITE 800/1000 SEALING BUSH 800/1000	128	52X1299	TAMBOUR DRUM
87	55X9930	JOINT DE THERMOSTAT THERMOSTAT SEAL	129	55X9987	JOINT FLANC DE CUVE SEAL TUB SIDE
109	52X0210	VIS FIX.LEST BALLAST FIX. SCREW	158	52X2599	MOTEUR MOTOR
110	55X9936	LEST FRONTAL FRONT-END BALLAST	163	52X2180	THERMOPLONGEUR IMMERSION HEATER
110	52X1297	LEST SUPERIEUR 45L 16Kg C'WT., UPPER 45L 16Kg	164	55X9996	SONDE DE TEMPERATURE 96%-24 °C PROBE, TEMPERATURE 96%-24 °C
111	55X9939	PLAQUE DE FIXATION ATTACHMENT PLATE	164	52X1684	SONDE DE TEMPERATURE 96 °C/50 °C PROBE, TEMPERATURE 96 °C/50 °C
114	52X1298	OMEGA OMEGA BRACKET	165	57X1832	VIS SCREW
115	55X9953	CLIPS = X1 CLIP = X1	285	52X0119	RONDELLE WASHER
116	52X1311	COUVERCLE DE CUVE COVER, TANK			
117	52X1659	JOINT HUBLLOT SEAL, WINDOW			



Washing Machine Fault Codes

CODE	FAILURE	ACTION	RESET
Filling F01	EV ON 8 min. and PN OFF (drained). (Except on reliability programme).	Remains on PAUSE with the door LOCKED.	Either of these conditions resets the safety device: <ol style="list-style-type: none"> Electricity supply cut-out (mains or ON/OFF switch) Change in position of programme selector.
Draining F02	EB ON 6 min. and PN ON (full)	STOP (end of programme).	
Unbalance F03	Detects imbalance in 18 attempts (15 min) with low unbalance level (see spin chart)	Makes 2 attempts with high unbalance level, limiting speed to C1, Even if it starts up on these 2 attempts it will indicate the failure (see spin chart).	
Door lock F04	Door lock is ON and it is also detected that neither of the 2 door lock control triacs are functioning (both are open).	STOP (end of programme).	
NTC F05	NTC S/C or O/C	Runs selected programme but without heating up.	
No heat F06	B < 5° C/ 15 min. (except on reliability programme).		
Overfilling F07	PNS, or if on STOP PN ON with no other previous failures	STOP (end of programme).	
Programme selector F08	Selector S/C or O/C	Runs cold DELICATE programme (in User Mode only)	
Motor F09	Tacho failure, motor blocked (3 consecutive attempts)	STOP end of programme Door lock always closed.	
Reversal with motor stationary F10	Does not reverse until the motor stops (max time 1 min)		
F11	Programmer problem		

Note: B = temperature increase on heating cycle.