



# WDI2202

Caple Integrated Washer Dryer 1200rpm



TECHNICAL INFORMATION



## New product information sheet

**Product name:** WDI2202

**Description:** Fully integrated Electronic condenser washer dryer

**Product code:** WDI2202

### Features

Energy class B

Wash class A

15 programmes:

*Normal cold*

*Quick 30°C*

*Normal 30°C*

*Normal 40°C*

*Normal 60°C*

*Normal 90°C*

*Pre-wash 60°C*

*Delicate cold*

*Delicate 30°C*

*Delicate 40°C*

*Wool 35°C*

*Rinses*

*Spin-drying*

*Normal dry*

*Delicate dry*

**Options:**

*Delay timer*

*Extra rinse*

*Intensive wash*

*Easy iron*

*No spin*

*Anti-crease*

*1100rpm max. spin speed*

*6kg washing capacity*

*3kg drying capacity*





# New product information sheet

**Product name:** WDI2202

**Description:** Fully integrated Electronic condenser washer dryer

**Product code:** WDI2202

*105 litre water consumption (wash and dry cycle)*

*Condenser drying*

*Iron ready or total drying*

*Reverse tumble action*

*Final cool down tumble*

*Cold fill*

LCD information panel

300mm extra large door

Door safety lock and programme lock

Automatic variable load

Stainless steel drum

Self cleaning pump and filter

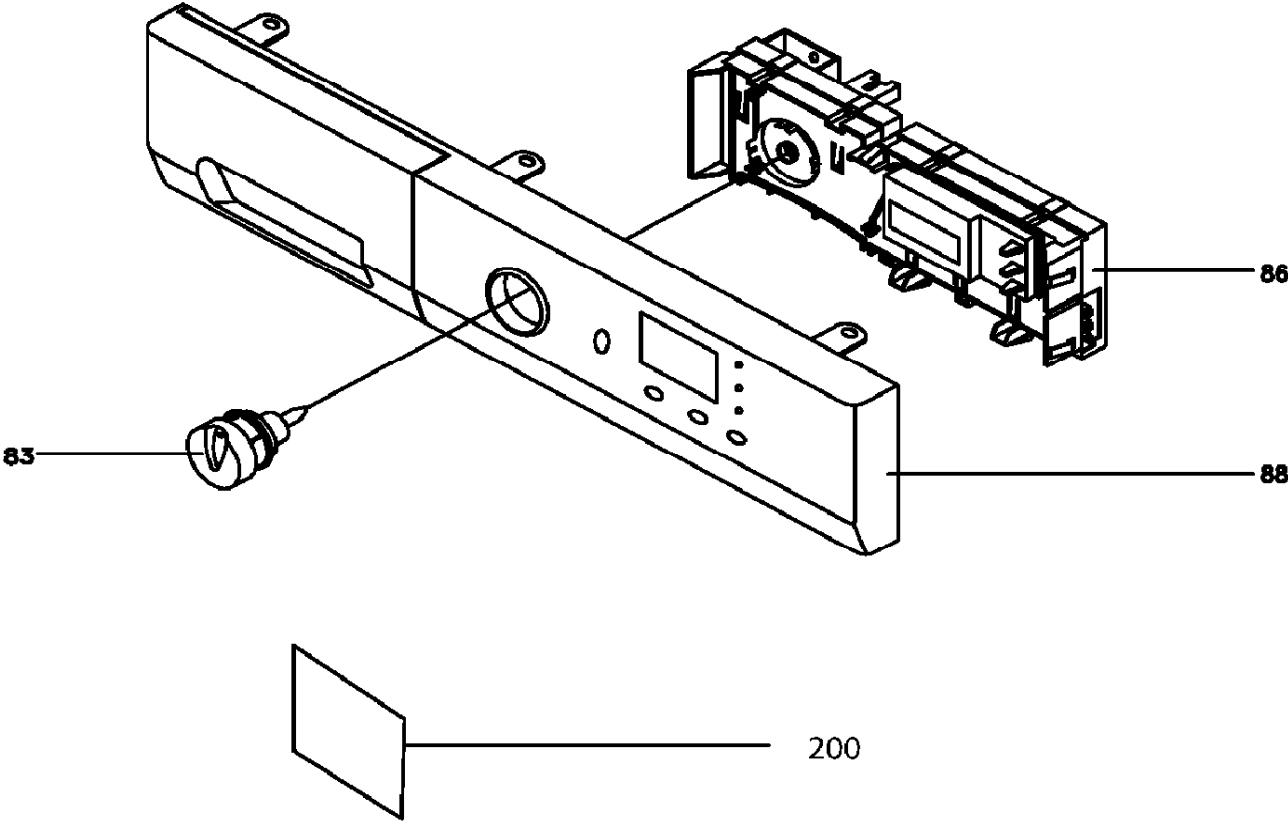
Anti-flood safety device

Foam control



# WDI2202

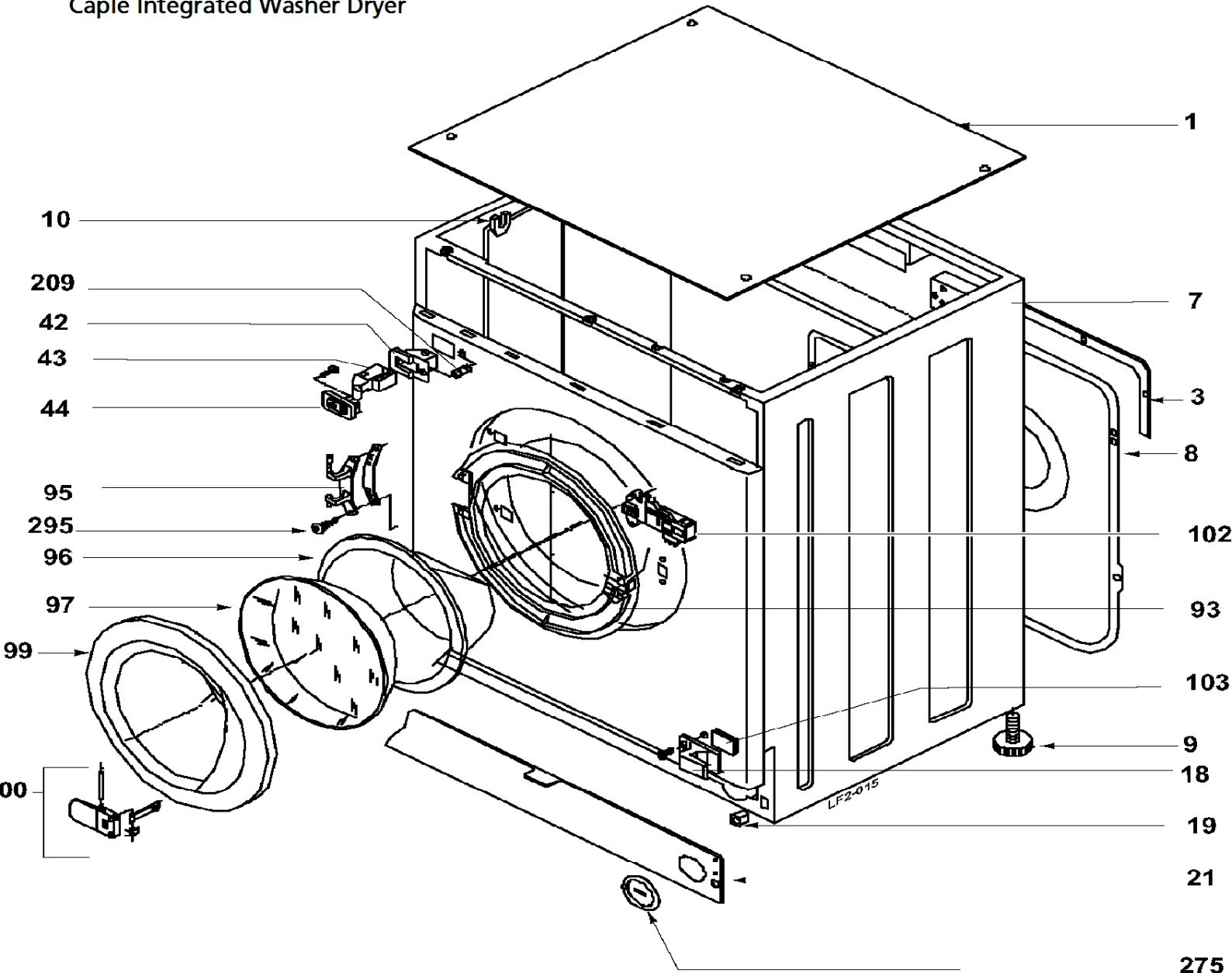
Caple Integrated Washer Dryer





# WDI2202

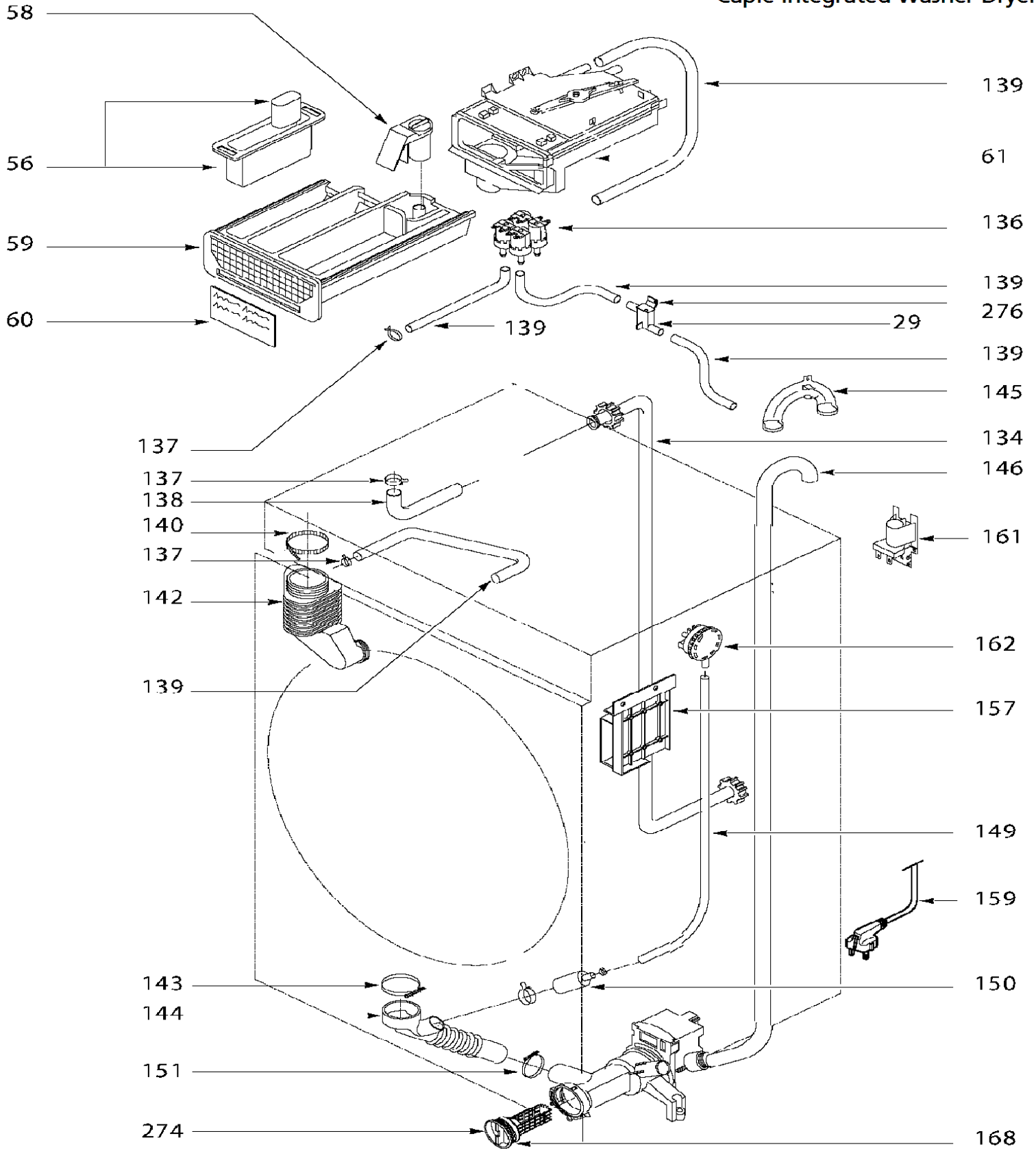
Caple Integrated Washer Dryer



LF2-015

# WDI2202

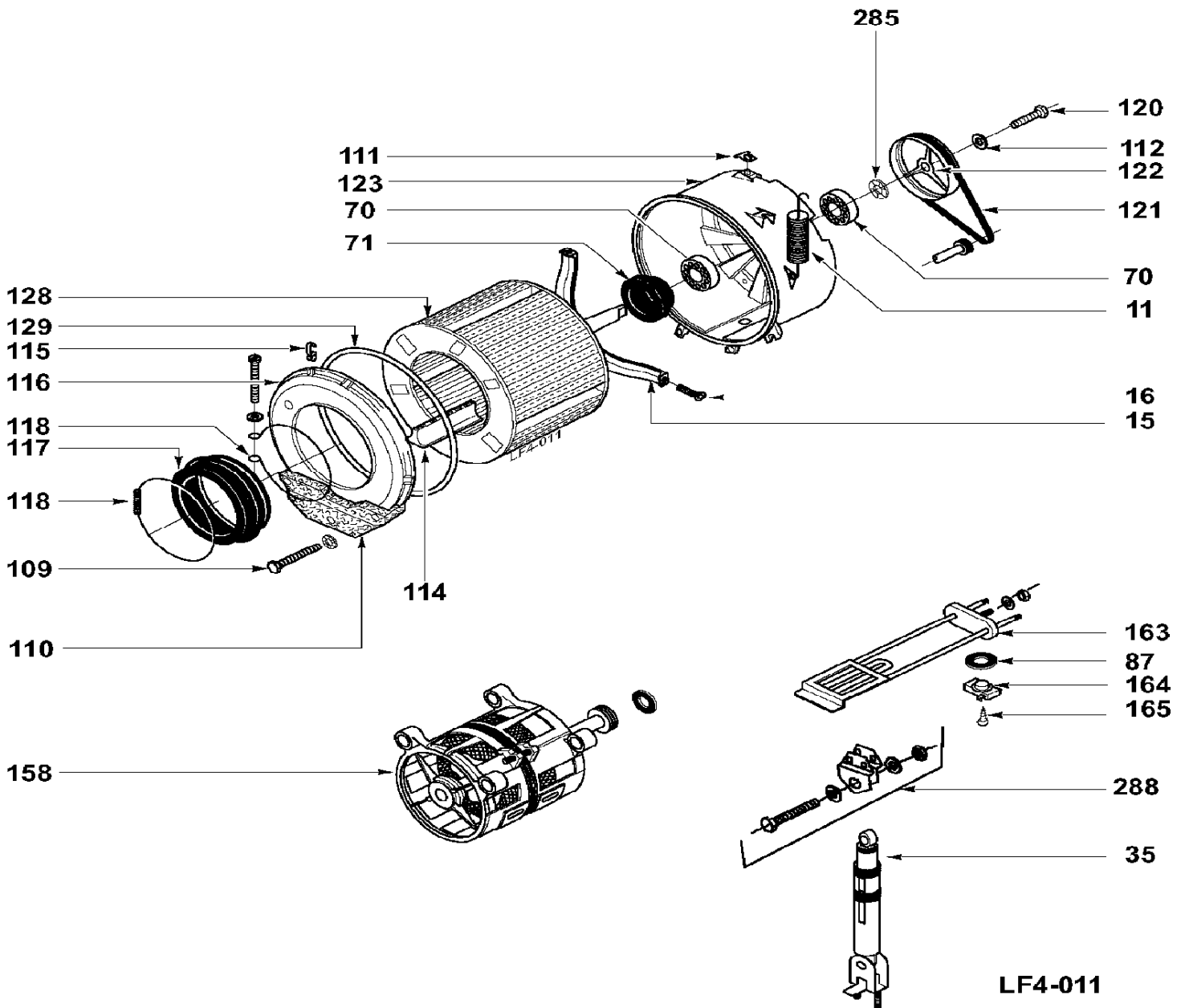
Caple Integrated Washer Dryer





# WDI2202

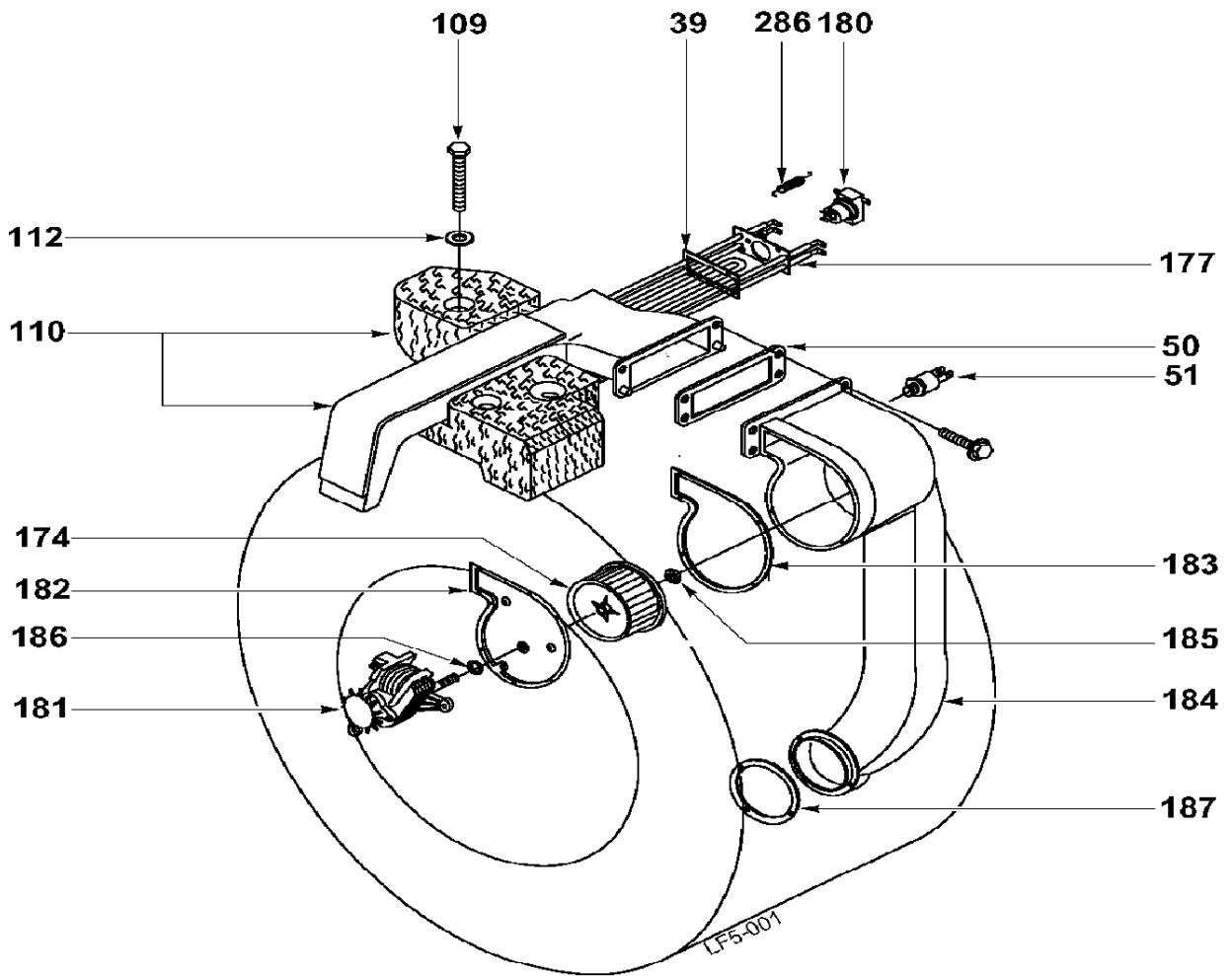
Caple Integrated Washer Dryer





# WDI2202

Caple Integrated Washer Dryer



LF5-001



## WDI2202 - Caple Integrated Washer Dryer

Item	Part Code	Description
0	52X2181	ASSEMBLY JIG--LF6C011A2
0	52X4810	ADAPTER-
0	52X5065	CIRCUITRY-
1	52X5032	UPPER PANEL-
3	55X9888	REAR TRIM--L08A002A1
7	52X2196	CLADDING WHITE-BEARING--
8	55X9889	PLATE--LK2A000A4
9	52X0077	LEG -DOOR
10	55X9895	END--L28A000A7
11	55X9941	TANK SUSPENS.SPRING--L30A000D6
15	52X2601	SPIDER WITH PIN
16	55X9969	CROOS BAR FIX. SCREW--TORX 8X39
18	52X2175	HINGE DOOR-
19	52X5064	DOG-
21	96X1020	PLINTH-
29	52X0392	VALVE, NON-RETURN--LE4A002A1
35	52X0093	SHOCK ABSORBER--120
39	52X0363	HEATING ELEM. GASKET--LH8A007A9
42	52X2178	DOOR CLOSER -SEAL,
50	52X0364	DRYING RAMP--LH8A005A3
51	52X0365	DRYING THERMOSTAT--L36P007I4
56	52X0010	KIT DETERGENT-SYPHON--
58	55X9916	LA0300702
59	52X0094	WASHING POWDER DRAWWE--LA0934000
60	99X0435	KEYBOARD CARD-DETERGENT
61	52X0095	BOX--L48A019A5
70	52X0883	L19A001A7
71	55X9980	RING WATERTIGHT-REAR
83	52X3893	CONTROL KNOB-CONTROL
86	52X4622	CARD-THERMOSTAT
87	55X9930	SEAL--LD3E000A4
88	AS0001910	STRIP -ADJUSTABLE
93	52X2170	BACK
94	52X1711	R'FORCEMENT, HINGE--LF4A000A1
95	52X2171	WINDOW HINGE--L79A001A2
96	55X9900	WINDOW--L49A002B8
97	52X0207	PROTECTOR--L49C001A6
99	52X2172	WHITE LID
100	96X1004	CONTROL KNOB-



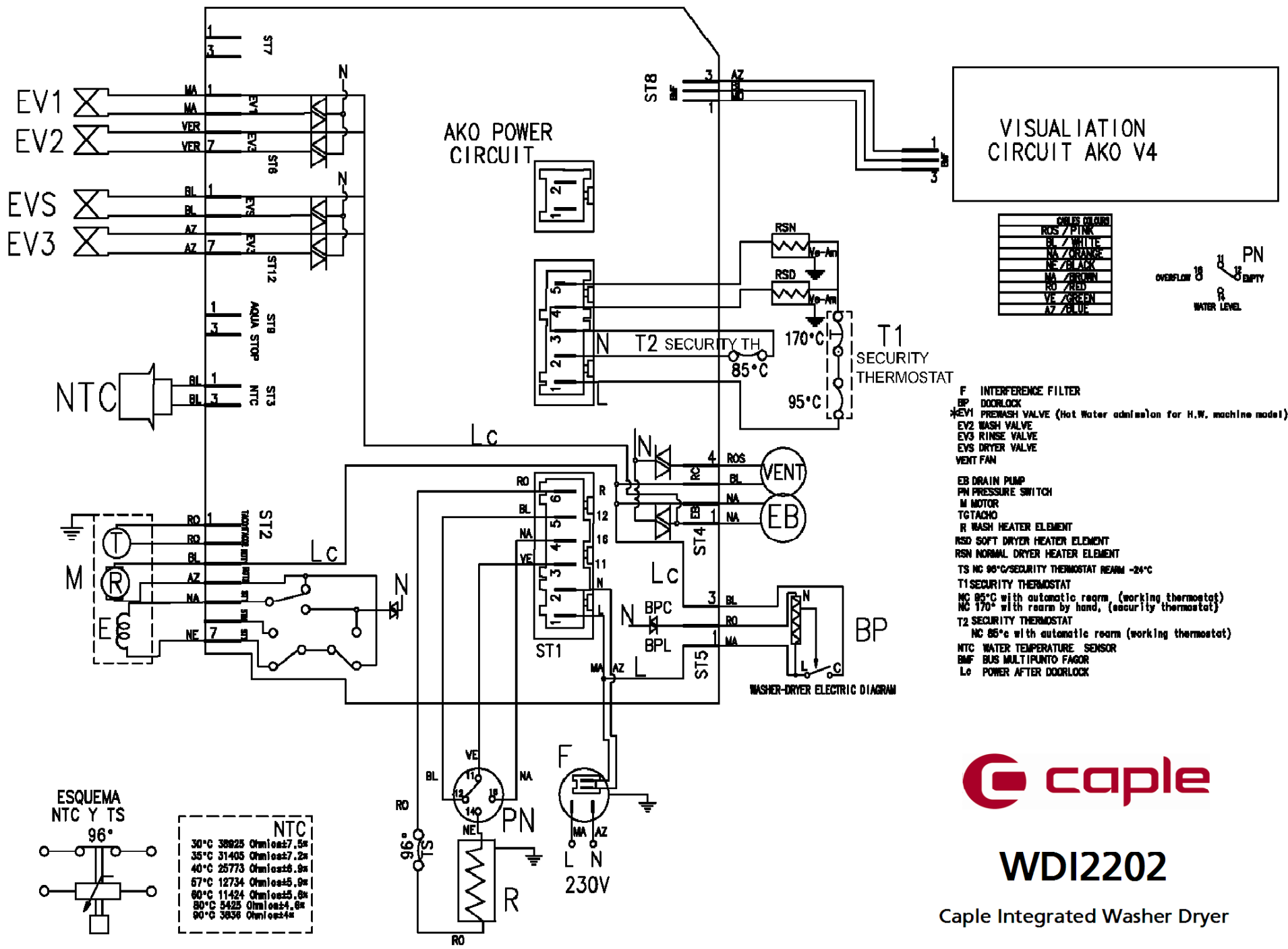
## WDI2202 - Caple Integrated Washer Dryer

Item	Part Code	Description
102	52X0984	SAFETY DOOR-
103	95X6593	PLUG -
109	52X0210	FIS SCREW LOAD-
110	55X9936	FRONT-END BALLAST--L32A000A5
110	52X4159	COUNTER-WEIGHT-
111	55X9939	ATTACHMENT PLATE--L85A001B1
112	57X1833	WASHER--W14A000A7
112	57X1833	WASHER--W14A000A7
114	52X1298	OMEGA BRACKET--22 CM
115	55X9953	CLIP--L99B000C3
116	52X1311	COVER DRUM-
117	96X0349	SEAL GAP-
118	55X9946	SKIRT, ATTACHING--LF8D001A7
120	55X9954	PULLEY SCREW--W04C004A5
121	52X0032	BELT--1184J5
122	52X0033	DRUM PULLEY--L69B003A8
123	52X0217	TUB--LA0935000
128	52X1299	DRUM -
129	55X9987	SEAL TUB SIDE--LA1B000C6
134	55X9904	SUPPLY PIPE--V77A000L1
136	52X3664	SOLENOID VALVE-
137	52X0882	SKIRT, ATTACHING--LV0806600
139	52X0103	PIPE ANTI-CONDENSATION-
140	96X1722	CLAMP----(=x10)
142	52X0206	FLEX HOSE, TUB BOX--LB5A002F0
143	55X9907	SKIRT, ATTACHING--LH3D001A0
144	52X1120	PUMP TANK HOSE--LA2B001D7
145	32X2912	BEND-
146	41X0115	DRAIN PIPE--LB3H000B7
149	55X9910	PIPE PRESSURE GAUGE-
150	55X9911	COMPRESSION CHAMBER--LM3A005A3
151	55X9981	PIPE LOCKING ASSEMBL--LV0767100
157	52X3665	POWER CARD-
158	96X2448	MOTOR-
159	95X9415	CABLE-
161	52X3571	FILTER NOISE-
162	95X6637	PRESSURE SWITCH-
163	52X2180	IMMERSION HEATER--LE6E019A0
164	52X1684	PROBE TEMPERATURE-
165	57X1832	SCREW--W02C106C4
168	52X3572	PUMP DRAIN-
174	52X0353	TURBINE--LH2A001A5
177	52X0354	DRYING RESISTOR--LD7A000C4
180	52X3877	REAR COVER----LA0939300



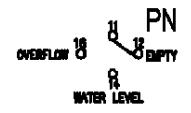
## WDI2202 - Caple Integrated Washer Dryer

Item	Part Code	Description
181	52X0356	FAN-MOTOR--LH1A006A6
182	52X0357	ATTACHMENT PLATE--LH8A002B6
183	52X0359	AIR DUCT SEAL--LH8A006A1
184	52X0358	VENTILATION SHAFT--LH8A001A2
185	52X0360	NUT, TURBINE--W11D000A0
186	52X0361	RING--LD5G000A1
187	52X0362	AIR DUCT SEAL--LH8A004A6
209	52X2179	MAGNET -
274	52X3871	FILTER --LA0939100
275	52X0861	PLUG--LK3C000A4
276	52X0531	VALVE, NON-RETURN--LE4A001A3
285	52X0864	WASHER--45L
286	52X0366	FIXING SPRING--LD5F001A3
288	52X1300	ATTACHMENT LA0935800



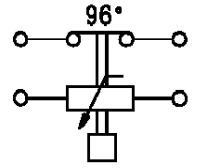
VISUALISATION  
CIRCUIT AKO V4

WIRE COLOUR	
ROS	PINK
BL	WHITE
NA	ORANGE
NE	BLACK
MA	BROWN
RO	RED
VE	GREEN
AZ	BLUE



- F INTERFERENCE FILTER
- BP DOORLOCK
- EV1 PREWASH VALVE (Hot Water admission for H.W. machine model)
- EV2 WASH VALVE
- EV3 RINSE VALVE
- EVS DRYER VALVE
- VENT FAN
- EB DRAIN PUMP
- PN PRESSURE SWITCH
- M MOTOR
- TG TACHO
- R WASH HEATER ELEMENT
- RSD SOFT DRYER HEATER ELEMENT
- RSN NORMAL DRYER HEATER ELEMENT
- TS NC 95°C/SECURITY THERMOSTAT REARM -24°C
- T1 SECURITY THERMOSTAT
- NC 85°C with automatic rearm (working thermostat)
- NC 170° with rearm by hand, (security thermostat)
- T2 SECURITY THERMOSTAT
- NC 85°C with automatic rearm (working thermostat)
- NTC WATER TEMPERATURE SENSOR
- BMF BUS MULTIPUNTO FAGOR
- Lc POWER AFTER DOORLOCK

ESQUEMA  
NTC Y TS



NTC	
30°C	38825 Ohm ± 0.5%
35°C	31405 Ohm ± 0.2%
40°C	25773 Ohm ± 0.5%
57°C	12734 Ohm ± 0.5%
80°C	11424 Ohm ± 0.5%
80°C	5425 Ohm ± 0.5%
90°C	3836 Ohm ± 0.5%



WDI2202

Cape Integrated Washer Dryer