



TDF200

Caple 60cm Tumble Dryer



Technical information



New product information sheet

Product name: TDF200

Description: Freestanding Condenser tumble dryer

Product code: TDF200

Energy class B

11 programmes:

- Steam - for easier ironing
 - Cotton (18 minutes)
 - Mixed (20 minutes)
 - Refresh (20 minutes)
- Drying:
 - Cotton
 - Extra Dry
 - Dry
 - Ready to iron
 - Mixed fabrics
 - Dry
 - Ready to iron
 - Synthetics
 - Delicates
 - Wool

Options:

- Anti-crease
- Additional drying
- End of programme buzzer alert
- Time delay up to 24 hours/ remaining time

LCD display which features

- Delay timer 1 – 24 hours
- Progress
- Total time remaining
- End of cycle indicator
- Tank full warning
 - Steam tank empty/full warning
 - 'Memo activ' funct programme





New product information sheet

Product name: TDF200

Description: Freestanding Condenser tumble dryer

Product code: TDF200

Features

8kg drying capacity, 2kg steam capacity.

1.2 litre steam tank (for distilled water only, from condenser tank)

Electronic Start switch

Tumbling option – This option tumbles the clothes every 10 min. for up to 24 hours until the machine is turned off or the door is opened.

Easy load drum

Reversible door

Final cool down tumble

180 degree opening, for easy access

Clean filter warning

Removable water tank

Stainless steel drum

Light inside the drum

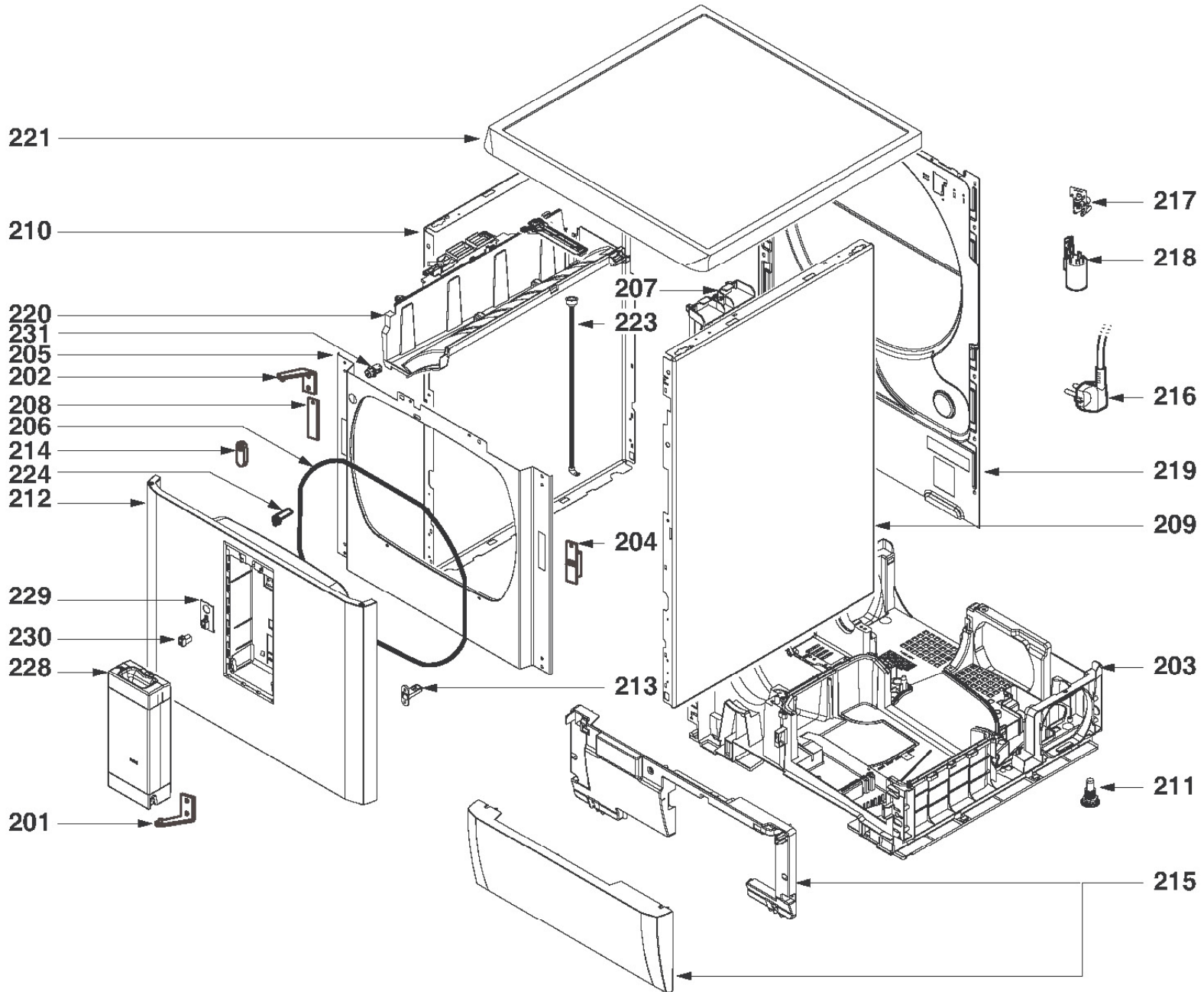
Condenser kit for direct water removal to plumbing

Easy access fluff filter



TDF200

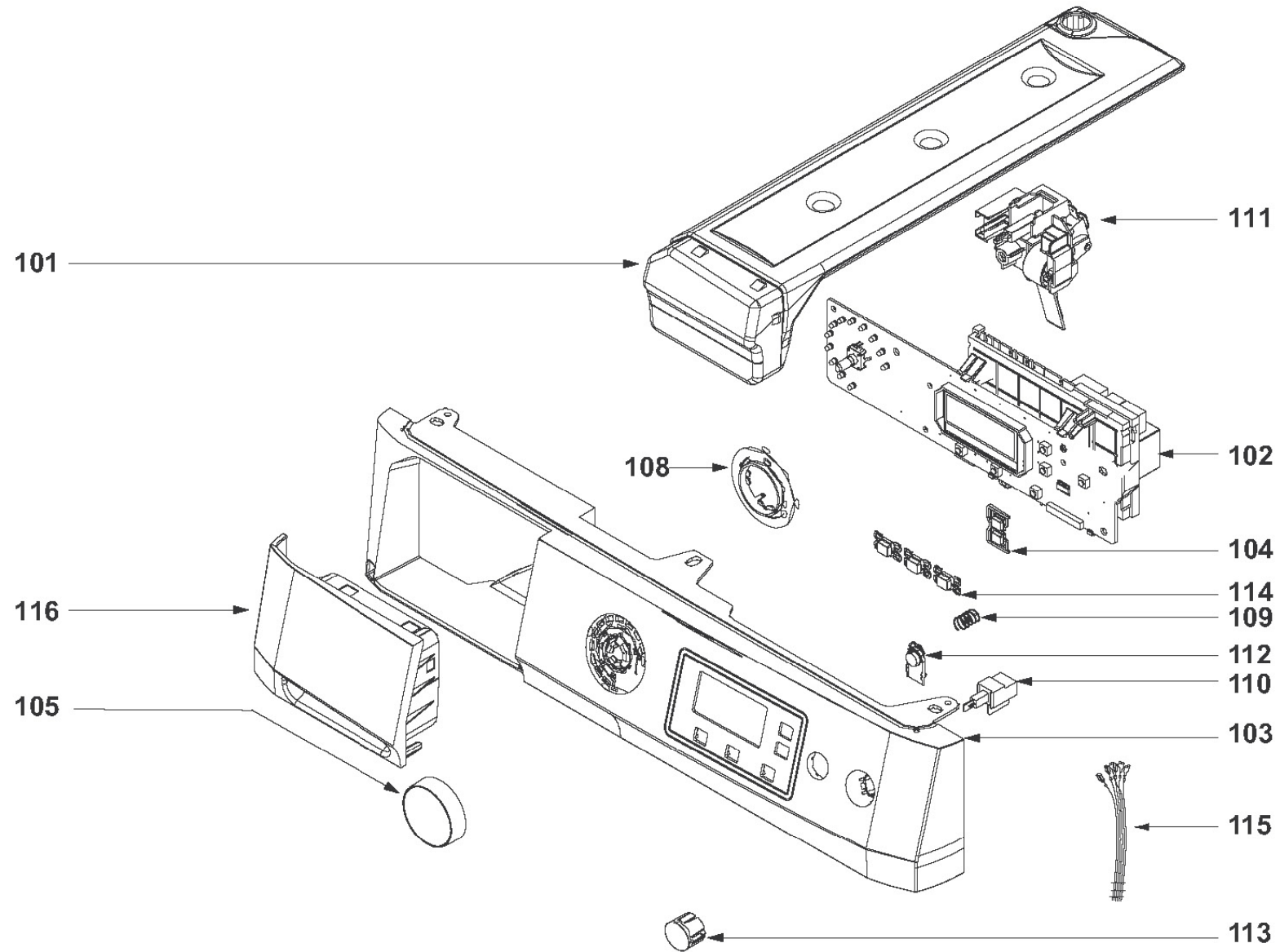
Caple 60cm Tumble Dryer





TDF200

Caple 60cm Tumble Dryer

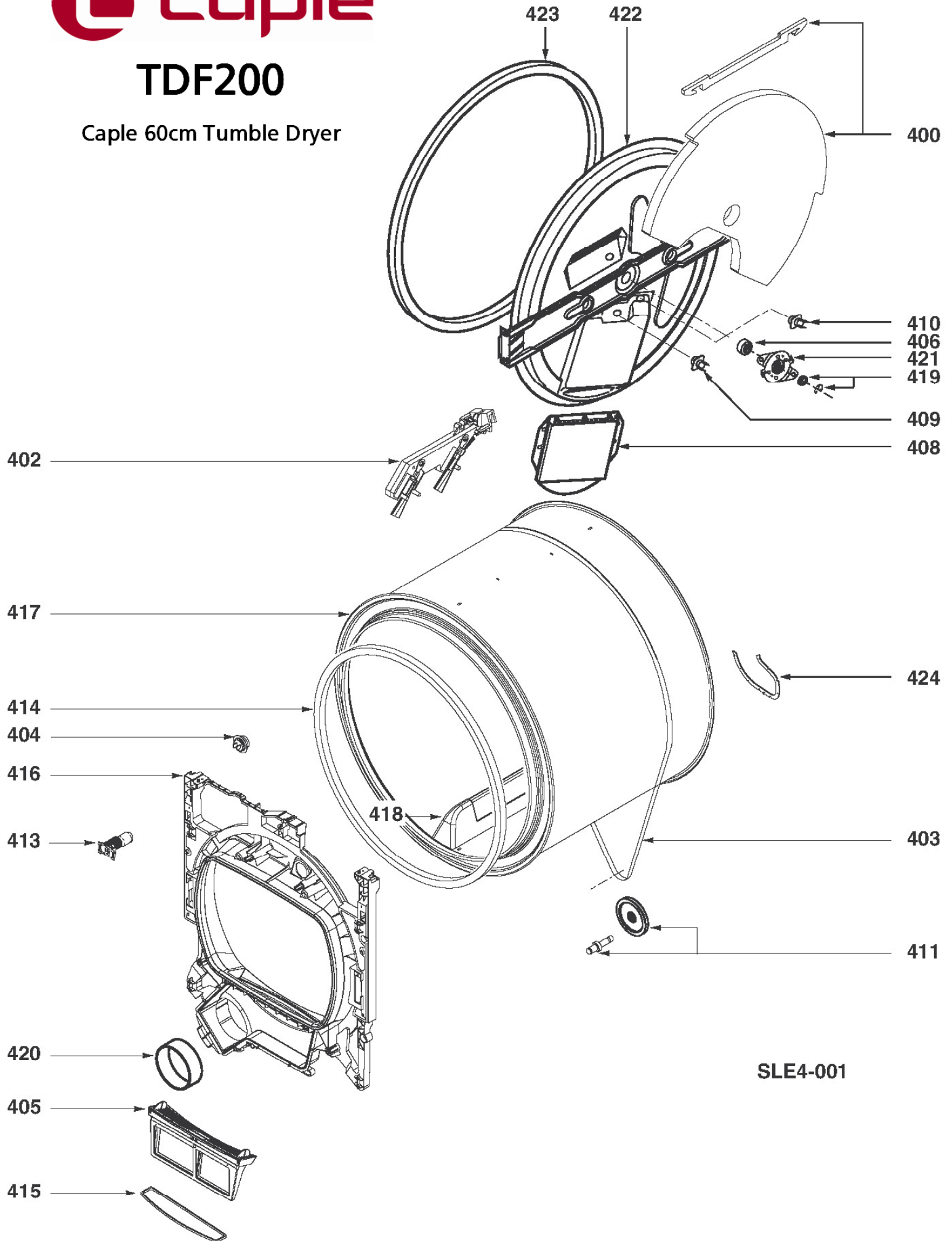


SLE1-018



TDF200

Caple 60cm Tumble Dryer

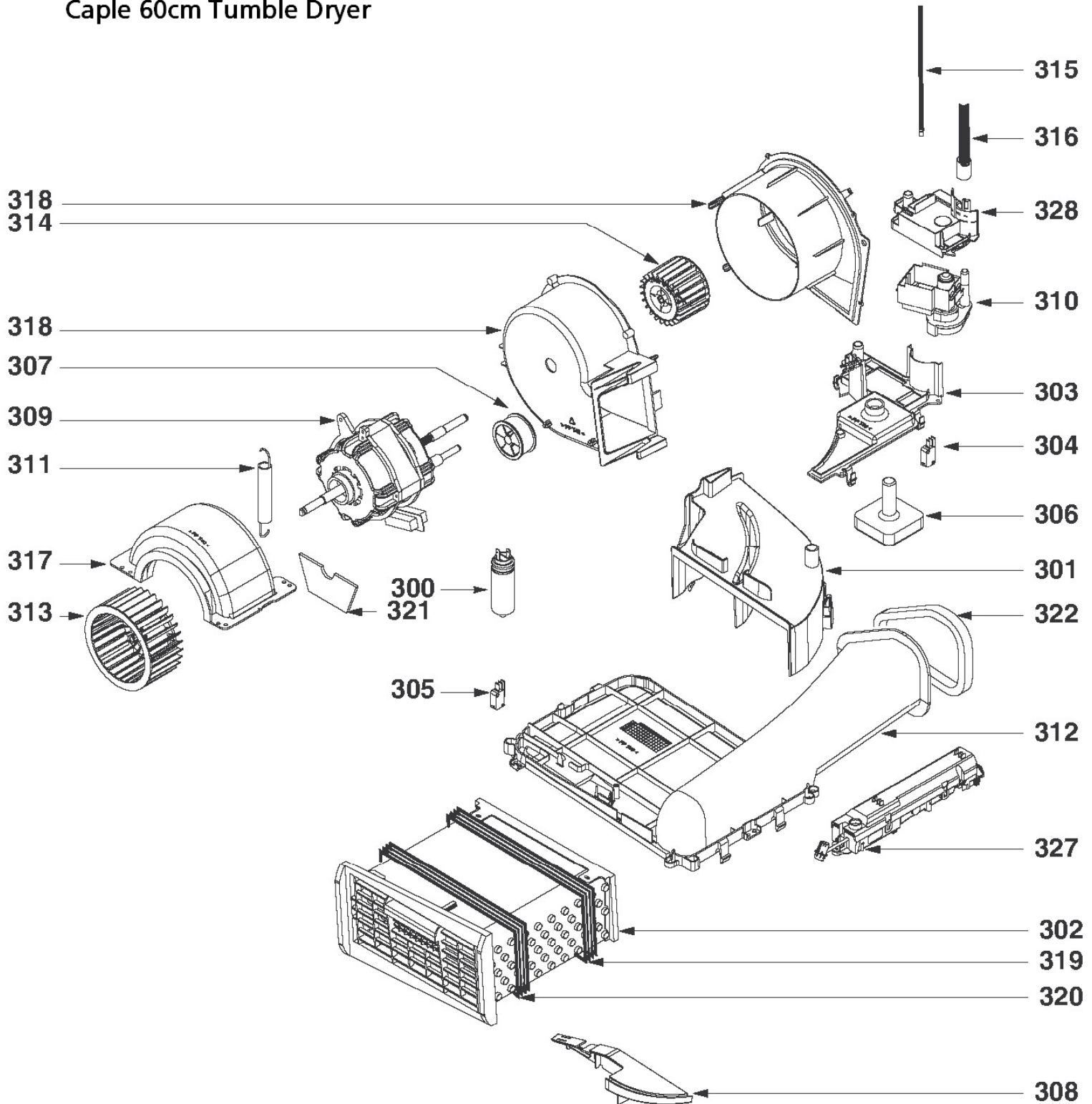


SLE4-001



TDF200

Caple 60cm Tumble Dryer





TDF200 - Caple 60cm Tumble Dryer

Item	Part Code	Description
0	AS0003005	COVER, TANK-
101	57X3076	UPPER TUB-
102	57X3197	CONTROL CARD-
104	57X3261	TIME BUTTON -
105	57X3210	CONTROL KNOB-
108	57X3214	DISC -
109	52X0621	BUTTON SPRING KEY-
110	52X3197	ON/OFF SWITCH -
111	57X2564	DOOR SAFETY DEVICE -
112	57X3262	START BUTTON -
113	57X3263	ON/OFF BUTTON -
114	57X3213	FUNCTIONS KEY -
115	57X3026	CIRCUITRY-
115	57X3040	WIRE, CONTACT-
116	57X3298	FACADE, SLIDE-
201	57X3028	LOWER HINGE -
202	57X3027	UPPER HINGE -
203	57X2349	FRAME -
204	57X2381	LOCK -
205	57X3029	FRONT PANEL-
206	57X2367	DOOR SEAL -
207	57X3005	ELECTRONIC CARD-
208	57X2359	PLUG -
209	57X2360	RIGHT-HAND PANEL -
210	57X2361	LEFT-HAND PANEL -
211	31X6056	ADJUSTABLE LEG --L 52MM x4
212	57X3030	DOOR-
213	57X2368	LOCK PIN -
214	57X2364	COVER -
215	57X2639	PLINTH -
216	55X6734	ELECTRICALCORD --1850 mm
217	57X2039	CABLE GRIP -
218	32X0254	NOISE FILTER -
219	57X2985	PANEL REAR/BEHIND-
220	57X2765	TRAY SUPPORT-
221	57X3338	TOP-



TDF200 - Caple 60cm Tumble Dryer

Item	Part Code	Description
223	57X2407	OVERFLOW PIPE --1160 mm
224	57X2752	SAFETY PIN -
228	57X3032	TANK -
229	57X3041	LOCK-
230	57X3042	LOCK PIN-
300	57X0632	CAPACITOR --8 μ F
301	57X2347	CHANNEL -
302	AS0009394	CAPACITOR -
303	57X3179	COVER -
304	57X2501	MICROSWITCH OVERFLOW-
305	57X2409	MICROSWITCH -
306	57X3180	FLOATER -
307	57X2411	ROLLER -
308	57X2432	GUIDE AIR-
309	57X3088	MOTOR -
310	57X3182	PUMP EMPTYING-
311	57X3033	SPRING -
312	57X2503	CAPACITOR SUPPORT -
313	57X2413	TURBINE -
314	57X2414	TURBINE -
315	57X2415	DRAIN PIPE --1500 mm
316	57X2416	PIPE --860 mm
317	57X2417	HOT CIRCUIT COIL -
318	57X2418	VOLUTE ASSEMBLED -
319	57X2523	SEAL --AV
319	AS0009393	SEAL --AR
320	AS0009392	SEAL --AV
320	57X0666	SEAL --AR
321	32X3246	FELT SEAL
322	32X3247	SEAL, UNION -
327	57X3136	GENERATOR-
328	57X3181	PUMP SUPPORT -
400	57X2840	INSULATING MATERIAL -
402	57X2365	FITTED BRUSHES
403	57X2351	BELT --1951H7
404	57X2354	THERMISTOR THERMISTOR--14 K



TDF200 - Caple 60cm Tumble Dryer

Item	Part Code	Description
405	57X2355	FILTER DRYER-
406	57X0611	BEARING
408	57X2399	HEATING ELEMENT -
409	57X3063	THERMOSTAT--140°
410	57X2369	RESETABLE THERMOSTAT-
411	57X3003	WHEEL
413	57X2421	LAMP SOCKET -
414	57X2400	TUB SEAL -
415	57X2843	SEAL --GRIS
416	57X3242	SHEATH -
417	57X2377	DRUM-
418	57X2378	DRUM BLADE -
419	57X0614	CLIP
420	57X2509	GASKET
421	57X2164	CUP BEARING BEARING-SHEATH,
422	57X3034	PLATE ENTRY
423	57X2529	COVER SEAL -
424	57X2746	SEAL