



# C8711

Caple induction hob ribbon

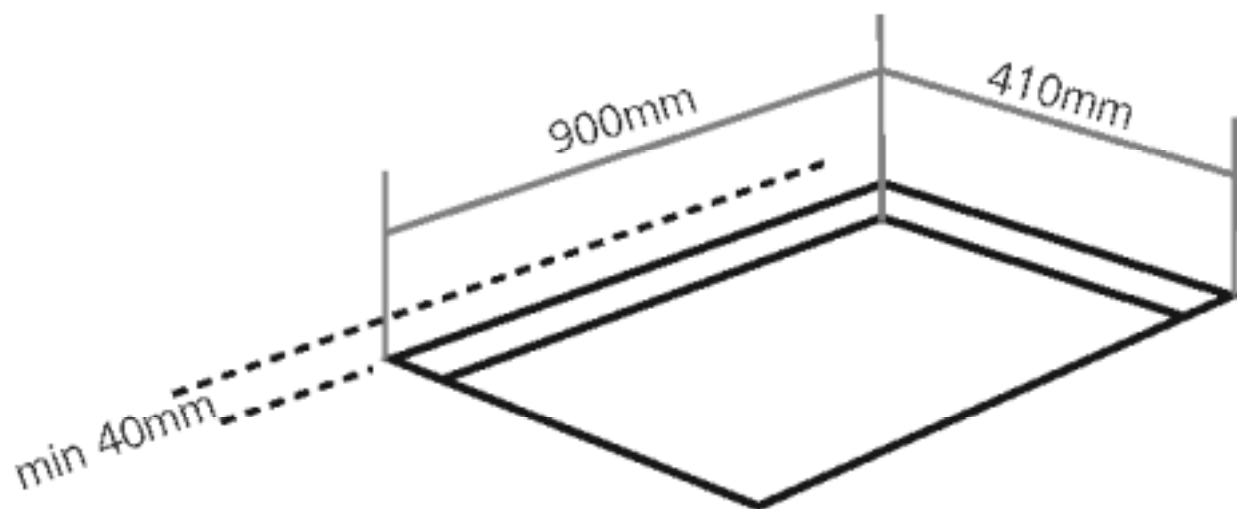
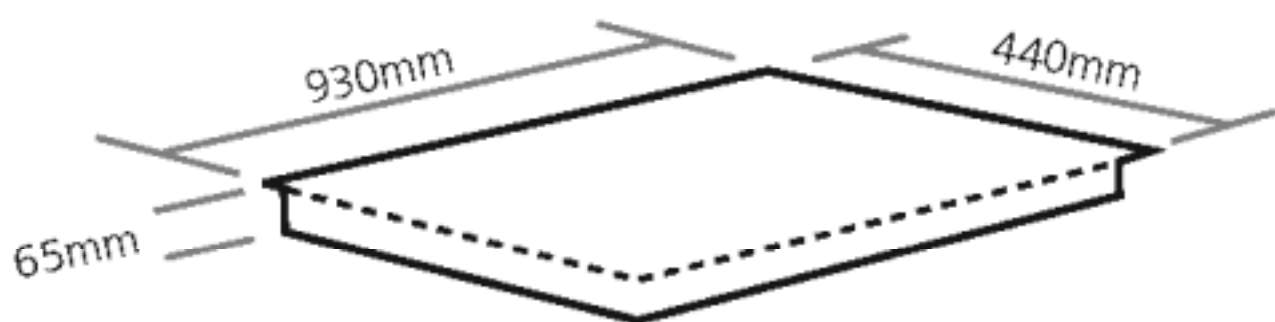


TECHNICAL INFORMATION



# C8711

Caple induction hob ribbon



# C8711

## Caple induction hob ribbon

### AFTER SALES SERVICE DATA

- Operating instructions : 87X8265
- Servicing guide : -

### OVERALL DESCRIPTION

- Date of manufacture : 02/2009
- Standards : CE
- Colour : Black
- Mijotop : No
- Small saucepan support : No
- Thermocouple safety : No
- Electronic ignition : No
- Butane gaz feed : No
- Naturel gaz feed : No
- Propane gaz feed : No
- Glass cover : No

### DIMENSIONS

	Overall	Building-in
Height	4 mm	-
Width	930 mm	900 mm
Depth	440 mm	410 mm

### ELECTRICAL CONNECTIONS

- Power cord : Yes
- Voltage : 220-240 V
- Current density : 32 A
- Frequency : 50 Hz

### TRI : 2P+N+T

- Voltage : 400 V
- Current density : 16 A
- Frequency : 50 Hz

### FURNACE CHARACTERISTICS

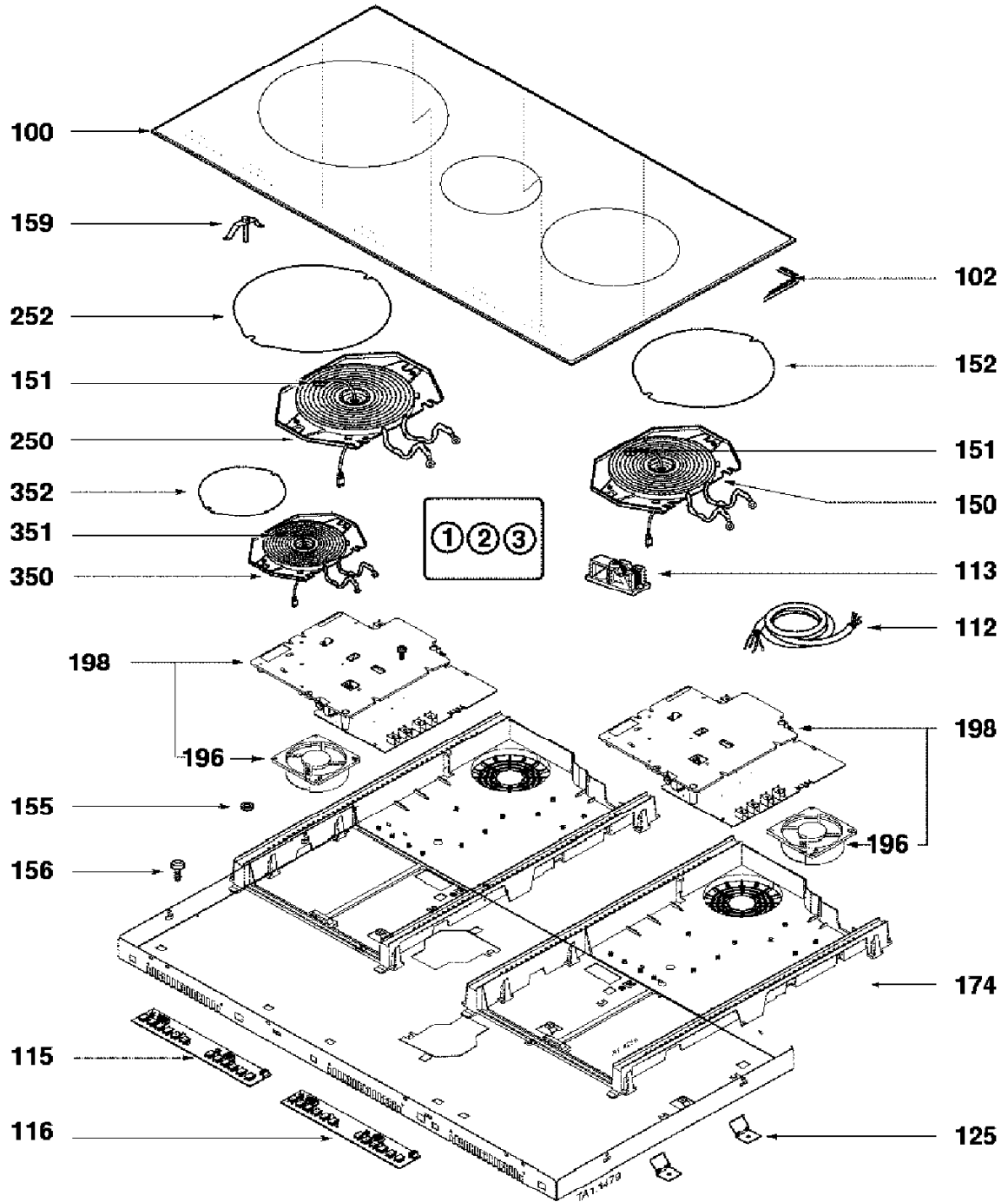
Location	Dimensions Ø	Power	Nature
Left	280 mm	3600 W	Induction
Central	160 mm	2200 W	Induction
Right	210 mm	3100 W	Induction
Front right	-	-	-
Central	-	-	-

### RECESS RULE :

The induction panel must not be installed above a dishwasher, washing machine, refrigerator or freezer.

# C871I

Caple induction hob ribbon



TA1.1479

# C8711

## Caple induction hob ribbon

REP.	REF. SAV	DESIGNATION	REP.	REF. SAV	DESIGNATION
0	72X2667	SUPPORT CARTE AFFIC. PROG. CARD MOUNTING TRÄGER PROGRAMMKARTE SUPP. CARTA PROG. SOPORTE TARJETA PROG	116	72X8318	CARTE CLAVIER KEYBOARD CARD TASTEN_ELEKTRONIKEL. TASTIERA CARTA TARJETA TECLADO
0	72X9800	CONNECTEUR CONNECTOR STECKVERBINDUNG CONNETTORE CONECTOR	125	76X5411	CLIPS CLIP CLIPS CLIP CLIPS
0	87X8265	DESSUS VERRE UPPER PART ABDECKUNG PARTE SUPERIORE PARTE SUP	150	70X1089	INDUCTEUR D : 210 (3) INDUCTOR D : 210 (3) INDUKTOR D : 210 (3) INDUTTORE D : 210 (3) INDUCTOR D : 210 (3)
100	70X1086	DESSUS VERRE UPPER PART ABDECKUNG PARTE SUPERIORE PARTE SUP	151	72X5997	CAPTEUR TEMPERATURE 250MM-2P TEMPERATURE SENSOR 250MM-2P TEMPERATURFÜLER KOMP 250MM-2P SENSORE TEMPERATURA 250MM-2P CAPTOR TEMPERATURA 250MM-2P
102	75X5552	JOINT MOUSSE GASKET DICHTUNG GIUNTO JUNTA	152	72X6005	DISQUE 230MM DISC 230MM SCHEIBE 230MM DISCO 230MM DISCO 230MM
112	72X1262	CORDON SECTEUR ELECTRICALCORD NETZKABEL CORDONE RETE EL. CORDON SECTOR	155	77X8699	JOINT DE BOUGIE SEAL, PLUG ZÜNDKERZENDICHTUNG GIUNTO DI CAND. JUNTA DE BUJIA
113	72X3360	PASSE FILS - GROMMET - DRAHTDURCHFÜHRUNG - PASSA FILI - PASAPANEL -	156	77X2732	SACHET DE VIS WALLET OF SCREWS TÜTE SCHRAUBEN SACCHETTO VITI SOBRE DE TORNILLOS
115	72X8317	CARTE CLAVIER KEYBOARD CARD TASTEN_ELEKTRONIKEL. TASTIERA CARTA TARJETA TECLADO	159	77X3740	PIONS DOWELS STIFTE PEZZI STACCATI PEONES

# C871I

Caple induction hob ribbon

REP.	REF. SAV	DESIGNATION	REP.	REF. SAV	DESIGNATION
174	72X5763	SUPPORT EQUIPEMENT EQUIPMENT SUPPORT GERÄTE TRÄGER SUPPORTO EQUIPAGGIAM SOPORTE EQUIPO	252	74X9409	DISQUE INDUCTEUR D=280MM INDUCTOR DISK D=280MM INDUKTIONSPLATTE D=280MM DISCO INDUTTORE D=280MM DISCO INDUCTOR D=280MM
196	72X9110	VENTILATEUR FAN VENTILATOR VENTILATORE VENTILADOR	350	70X1088	INDUCTEUR D : 160 ( 2 ) INDUCTOR D : 160 ( 2 ) INDUKTOR D : 160 ( 2 ) INDUTTORE D : 160 ( 2 ) INDUCTOR D : 160 ( 2 )
198	72X9732	CARTE DE PUISSANCE POWER CARD LEISTUNGSKARTE SCHEDA DI POTENZA TARJETA DE POTENCIA	351	72X5998	CAPTEUR TEMPERATURE 250MM-3P TEMPERATURE SENSOR 250MM-3P TEMPERATURFÜLER KOMP 250MM-3P SENSORE TEMPERATURA 250MM-3P CAPTOR TEMPERATURA 250MM-3P
250	70X1090	INDUCTEUR D : 280 ( 1 ) INDUCTOR D : 280 ( 1 ) INDUKTOR D : 280 ( 1 ) INDUTTORE D : 280 ( 1 ) INDUCTOR D : 280 ( 1 )	352	72X6006	DISQUE 160MM DISC 160MM SCHEIBE 160MM DISCO 160MM DISCO 160MM