



C8611

Caple induction hob 77cm

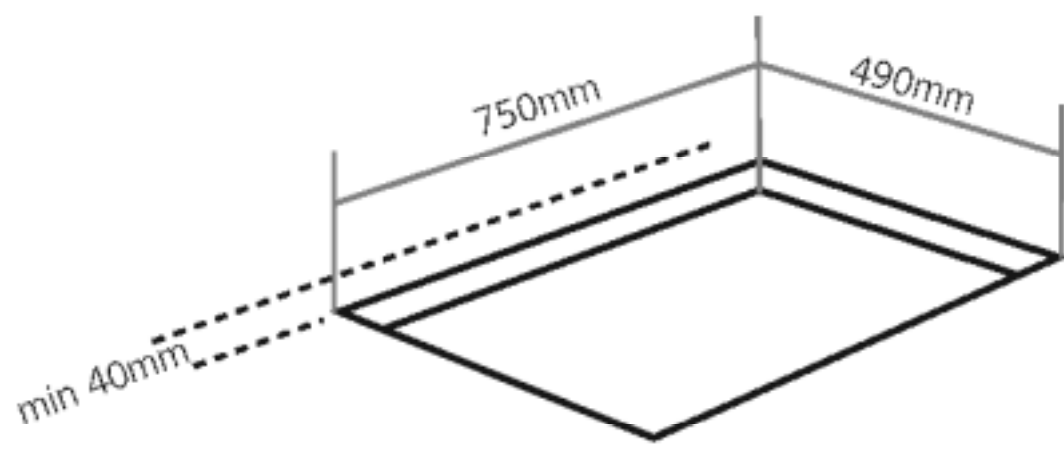
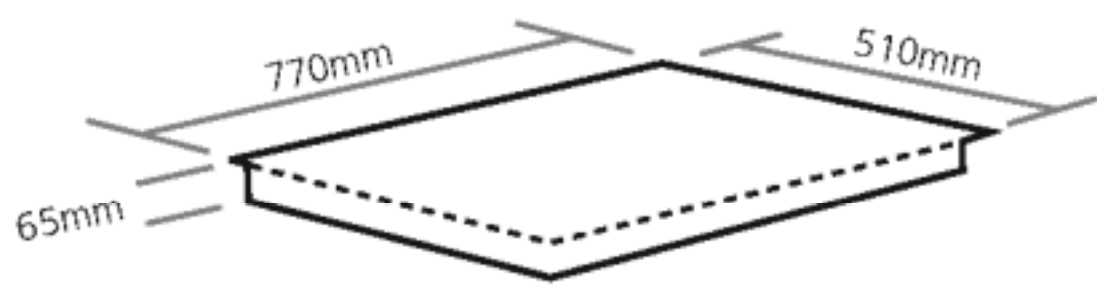


TECHNICAL INFORMATION



C8611

Caple induction hob 77cm



C861I

Caple induction hob 77cm

AFTER SALES SERVICE DATA

- Operating instructions : 87X8115
- Servicing guide : -

OVERALL DESCRIPTION

- Date of manufacture : 12/2009
- Standards : CE
- Colour : Black
- Mijotop : No
- Small saucepan support : No
- Thermocouple safety : No
- Electronic ignition : No
- Butane gaz feed : No
- Naturel gaz feed : No
- Propane gaz feed : No
- Glass cover : No

DIMENSIONS

	Overall	Building-in
Height	4 mm	-
Width	770 mm	750 mm
Depth	510 mm	490 mm

ELECTRICAL CONNECTIONS

- Power cord : Yes
- Voltage : 220-240 V
- Current density : 32 A
- Frequency : 50 Hz

TRI : 2P+N+T

- Voltage : 400 V
- Current density : 16 A
- Frequency : 50 Hz

FURNACE CHARACTERISTICS

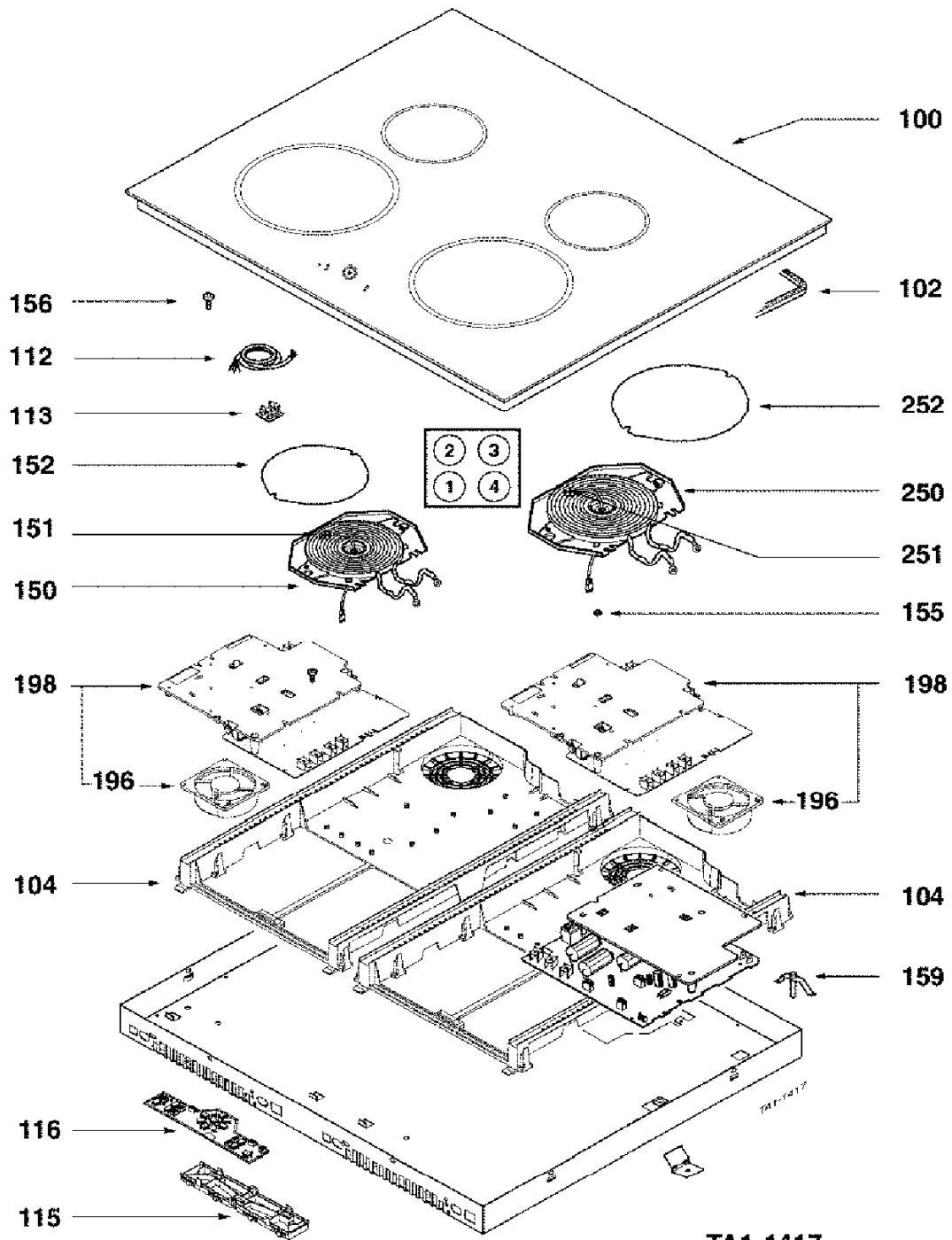
Location	Dimensions Ø	Power	Nature
Front left	210 mm	3100 W	Induction
Rear left	180 mm	2800 W	Induction
Rear right	180 mm	2800 W	Induction
Front right	210 mm	3100 W	Induction
Central	-	-	-

RECESS RULE :

The induction panel must not be installed above a dishwasher, washing machine, refrigerator or freezer.

C861I

Caple induction hob 77cm



TA1-1417

C861I

Caple induction hob 77cm

REP.	REF. SAV	DESIGNATION	REP.	REF. SAV	DESIGNATION
0	87X8115	NOTICE D'UTILISATION INSTRUCTIONS FOR USE BEDIENUNGSANLEITUNG LIBRETTO ISTRUZIONE INSTRUCC. DE EMPLEO	150	70X0909	INDUCTEUR D : 180 (2 / 3) INDUCTOR D : 180 INDUKTOR D : 180 INDUTTORE D : 180 INDUCTOR D : 180
100	70X1009	DESSUS VERRE UPPER PART ABDECKUNG PARTE SUPERIORE PARTE SUP	151	72X5998	CAPTEUR TEMPERATURE 250MM-3P TEMPERATURE SENSOR 250MM-3P TEMPERATURFÜLER KOMP 250MM-3P SENSORE TEMPERATURA 250MM-3P CAPTOR TEMPERATURA 250MM-3P
102	75X5552	JOINT MOUSSE GASKET DICHTUNG GIUNTO JUNTA	152	71X4404	DISQUE DISC SCHEIBE DISCO DISCO
104	72X5763	SUPPORT EQUIPEMENT EQUIPMENT SUPPORT GERÄTE TRÄGER SUPPORTO EQUIPAGGIAM SOPORTE EQUIPO	155	77X8699	JOINT DE BOUGIE SEAL, PLUG ZÜNDKERZENDICHTUNG GIUNTO DI CAND. JUNTA DE BUJIA
112	72X1262	CORDON SECTEUR ELECTRICALCORD NETZKABEL CORDONE RETE EL. CORDON SECTOR	156	77X2732	SACHET DE VIS WALLET OF SCREWS TÜTE SCHRAUBEN SACCHETTO VITI SOBRE DE TORNILLOS
113	72X3360	PASSE FILS - GROMMET - DRAHTDURCHFÜHRUNG - PASSA FILI - PASAPANEL -	159	77X3740	PIONS DOWELS STIFTE PEZZI STACCATI PEONES
115	72X2667	SUPPORT CARTE AFFIC. PROG. CARD MOUNTING TRÄGER PROGRAMMKARTE SUPP. CARTA PROG. SOPORTE TARJETA PROG	196	72X9110	VENTILATEUR FAN VENTILATOR VENTILATORE VENTILADOR
116	72X7748	CARTE CLAVIER KEYBOARD CARD TASTEN_ELEKTRONIKEL. TASTIERA CARTA TARJETA TECLADO	198	AS0000258	CARTE DE PUISSANCE 3100 W POWER CARD 3100 W LEISTUNGSKARTE 3100 W SCHEDA DI POTENZA 3100 W TARJETA DE POTENCIA 3100 W

C861I

Caple induction hob 77cm

REP.	REF. SAV	DESIGNATION	REP.	REF. SAV	DESIGNATION
250	70X0790	INDUCTEUR D : 210 (1 / 4) INDUCTOR D : 210 INDUKTOR D : 210 INDUTTORE D : 210 INDUCTOR D : 210	252	72X6005	DISQUE 230MM DISC 230MM SCHEIBE 230MM DISCO 230MM DISCO 230MM
251	72X5997	CAPTEUR TEMPERATURE 250MM-2P TEMPERATURE SENSOR 250MM-2P TEMPERATURFÜLER KOMP 250MM-2P SENSORE TEMPERATURA 250MM-2P CAPTOR TEMPERATURA 250MM-2P			