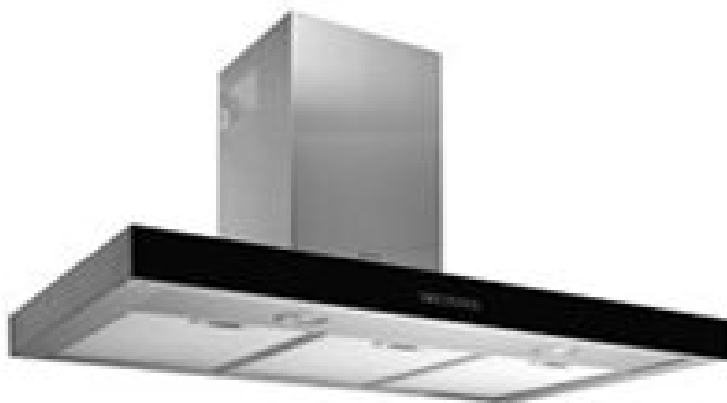




ZC921

Caple Zodiac 900mm Chimney

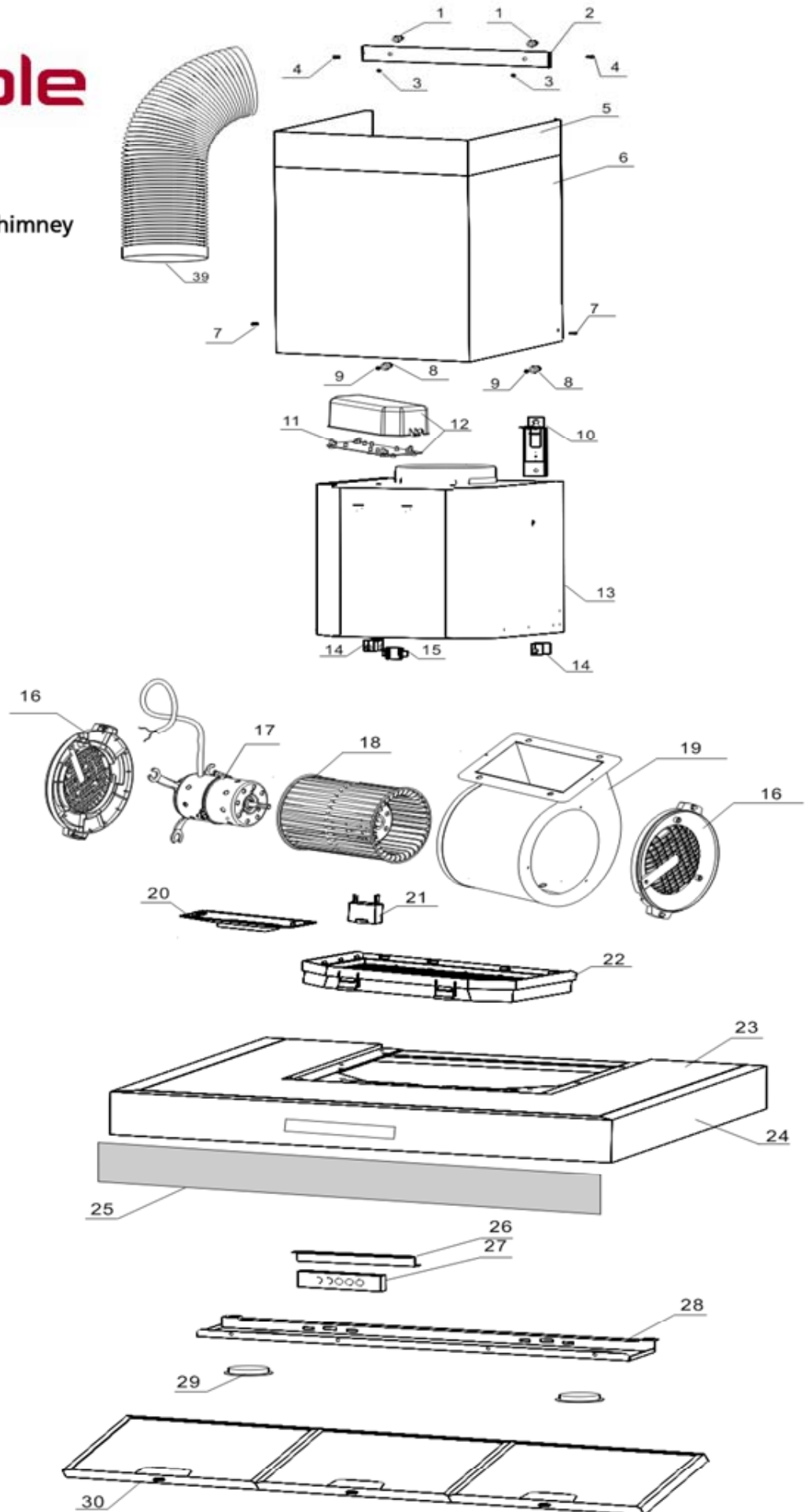


Technical information



ZC921

Caple Zodiac 900mm Chimney





ZC921 - Caple Zodiac Chimney

No.	Part Number	Descripton	Quantity
1	F-JL-6-30-A	6x30 plastic wall plug	2
2	B-ZCB6003A	Bracket for upper funnel	2
3	F-LD-4-16-SD	ST4x16 self tapping screw	2
4	F-LD-3--8-BC	M3x8 stainless steel countersunk screw	4
5	B-YCZ6000A-02-1	Upper funnel	1
6	B-YCZ6009A-01-1	Lower funnel	1
7	F-LD-4--8-BL	M4x8 B head mushroom screw	4
8	F-JL-10-45-A	10x40 inflatable colloidal particle	2
9	F-LD-5-50-SB	ST5*50 head mushroom screw	2
10	B-GG6000A	Leveling device assembly	2
11	D-DYB-YJ-H819YK2-QM1	power case board	1
12	D-DYH6001A	power case board compartment	1
13	B-FJX6007A	Air chamber	1
14	D-XJ6001A	Clip 1	2
15	D-XJ6002A	Clip 2	1
16	D-DQ6002A	Blower shell	1
17	D-DJ6015B	Motor 2 phase, 3 speed	1
18	D-FL6005A	Propellor	1
19	G-WK6004A	Metal blower box	1
20	D-YB5001A	Oil cup	1
21	D-DR-5-450	Capacitor 5µF	1
22	HXT6000B	Charcoal filter	1
23	B-LJB6003A	connecting board	1
24	B-BK6016A-1	Sensor frame	1
25	D-MB-WSB-H64.9S	Glass panel	1
26	B-ZJ6028A	Control installing bracket	1
27	D-KZB-YJ-H819-QM	control case board	1
28	B-DB6001A-1	Lamp board	1
29	D-LED6000A	LED lamps	2
30	D-LW6005A	Aluminium filter	3