



# ZC910

Caple Zodiac 900mm Chimney



## TECHNICAL INFORMATION



# New product information sheet

**Product name:** Zodiac

**Description:** Cooker hood

**Product code:** ZC910

## Features

Width 900mm

Stainless steel with a black glass panel

Illuminated LED touch-screen controls

3 Speeds

2 x 20W square halogen lights

Aluminium grease filters

Ducting spigot size 150mm

Recirculation kit available



## Performance

Max. extraction 800m<sup>3</sup>/h

Max. noise level 64dB(A)

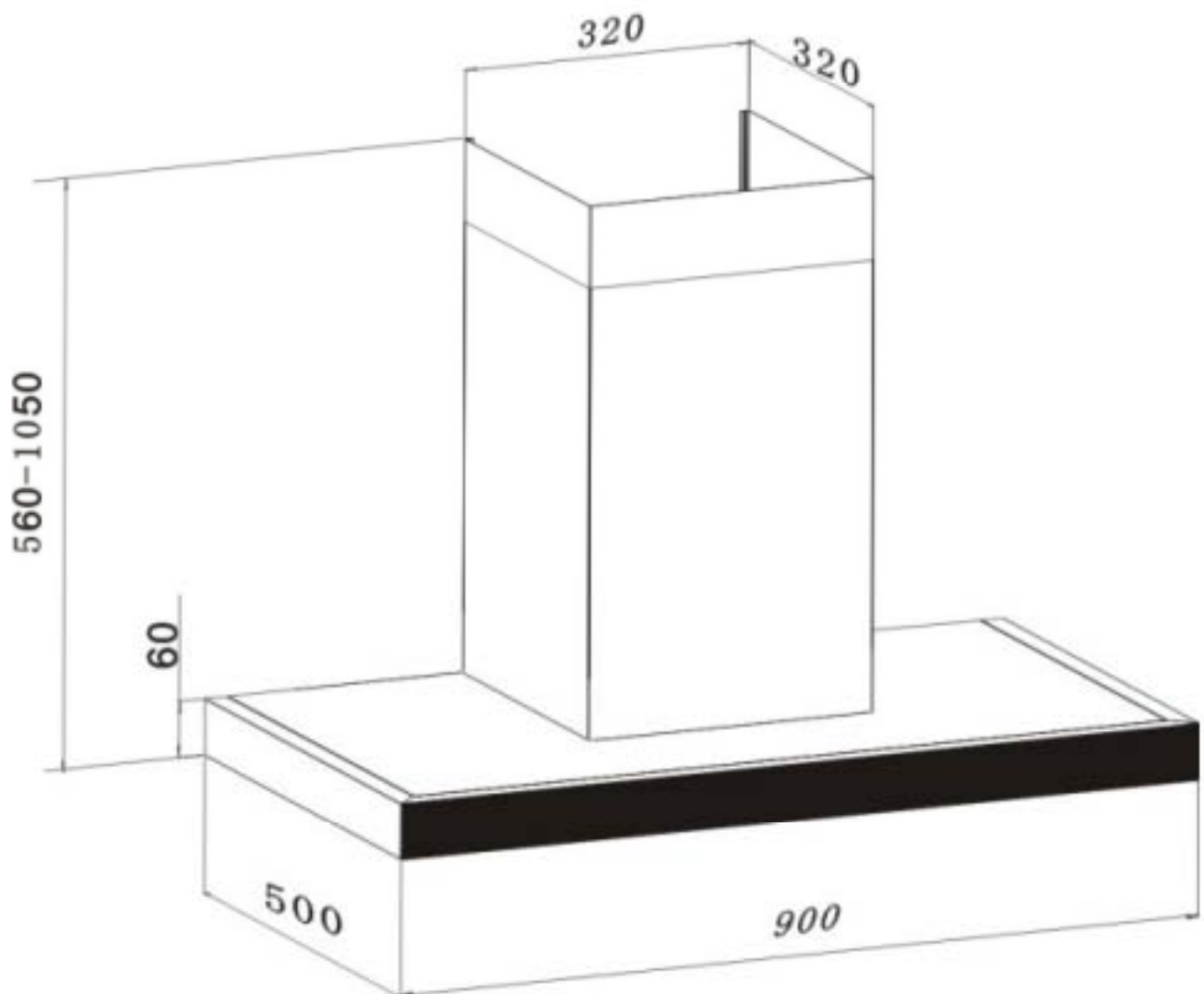
## Optional extras

Recirculation kit CAP24CF



# ZC910

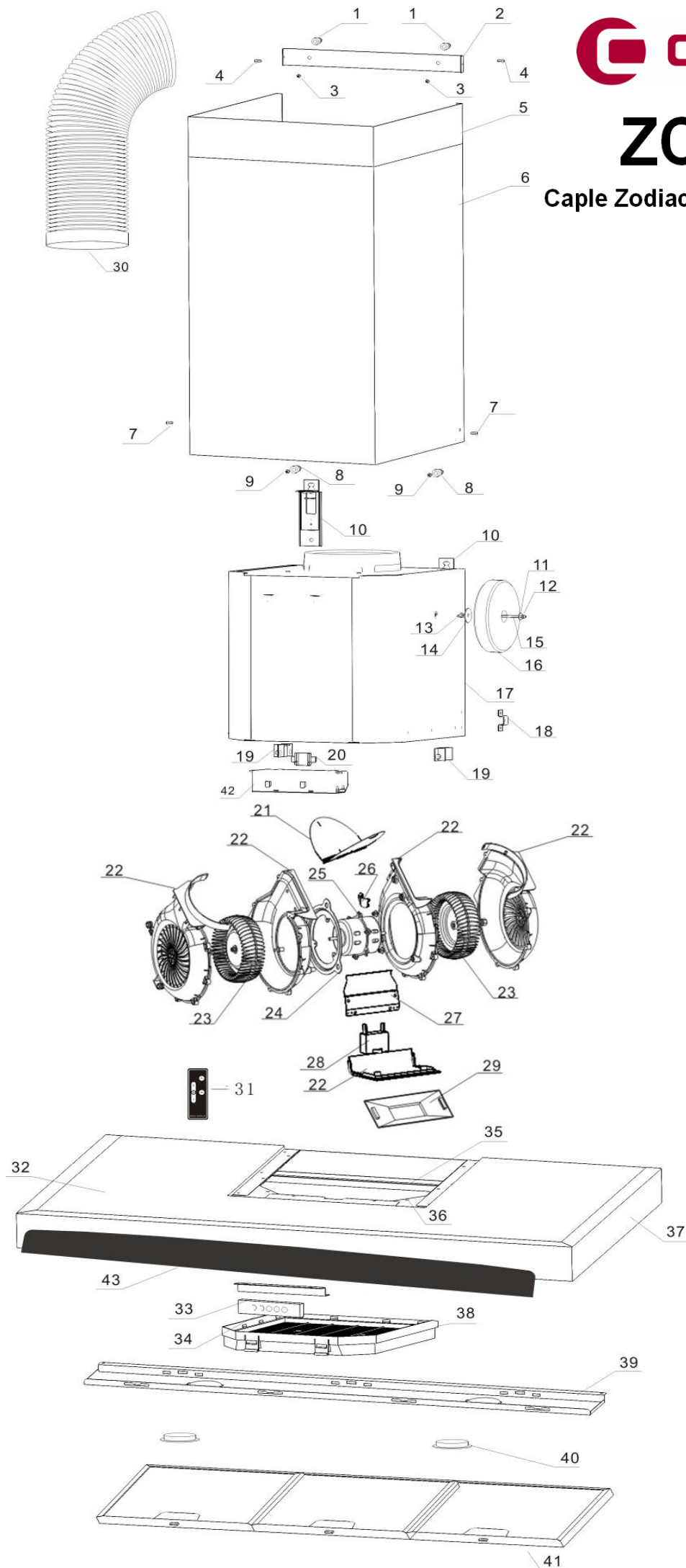
Caple Zodiac 900mm Chimney





# ZC910

Caple Zodiac 900mm Chimney





## ZC910 - Caple Zodiac 900mm Chimney

Item	Part Code	Description	Qty
1	FJL06-030-15A	6x30 plastic wall plug	2
2	BZCB600A-00-1	Bracket for upper funnel	2
3	FLD04-012-06A	ST4x12 self tapping screw	2
4	FLD03-008-05B	M3x8 stainless steel countersunk screw	2
5	BYCZ600A-02-1	Upper funnel	1
6	BYCZ60-A-01-1	Lower funnel	1
7	FLD04-008-04AC	M4x8 round head screw	2
8	FJL08-035-15A	8x35 plastic wall plug	2
9	FLD04-035-06A	ST4x35 self tapping screw	2
10	BGG600A-00-1	Leveling device assembly	2
11	FPD04-008-07A	4mm washer	1
12	FTD04-08A	4mm spring lock washer	1
13	FLM04-01E	M4 butterfly nut	1
14	FPD06-024-07A	6mm washer	1
15	FLD04-040-18A	M4x40 Round head screw	1
16	DBYQ614A-00-1	Toroidal transformer	1
17	BFJX600A-00-1	Air chamber	1
18	BZJ601A-00-1	Lower funnel connecting bracket	2
19	DXJ602A-00-1	Clip 2	2
20	DXJ601A-00-1	Clip 1	1
21	DTH600A-00-1	Butterfly valve	1
22	DWK601A-00-1	Plastic blower box	1
23	DFL602A-00-1	Propellor	2
24	BGDB606A-00-1	YYX95-2D motor fix board	1
25	DDJ608A-00-1	Main motor,three speeds	1
26	DGDJ600A-00-1	Blower line fixing clip	1
27	BGDB607A-00-1	Blower body fix board	1
28	DDR604A-00-1	Capacitor (5 $\mu$ F)	1
29	DYB501A-00-1	Oil cup	1
30	DDFG500A-00-1	PVC duct	1
32	BLJB603A-00-1	Canopy top panel	1
33	BZJ615A-00-1	Mount for switch	1
34	DKZB-YJ-H819-HC	Sensor control case	1
35	BCT602A-00-1	Back chassis panel	1
36	BZJ616A-00-1	Exhaust fume collecting hood connecting bracket	1
37	BBK616A-00-1	Sensor frame	1
38	DHXT600A-00-1	Charcoal filter	1
39	BDB601A-00-1	Lamp board 1	1
40	DLED602A-00-1	Quartz Lamp	2
41	DLW605A-00-1	Aluminium filter	3
42	DDYB-YJ-H819-HC	PCB	1
43	DBL645A-00-1	Glass panel	1