



SP610SS

Caple Spirit 60cm hood

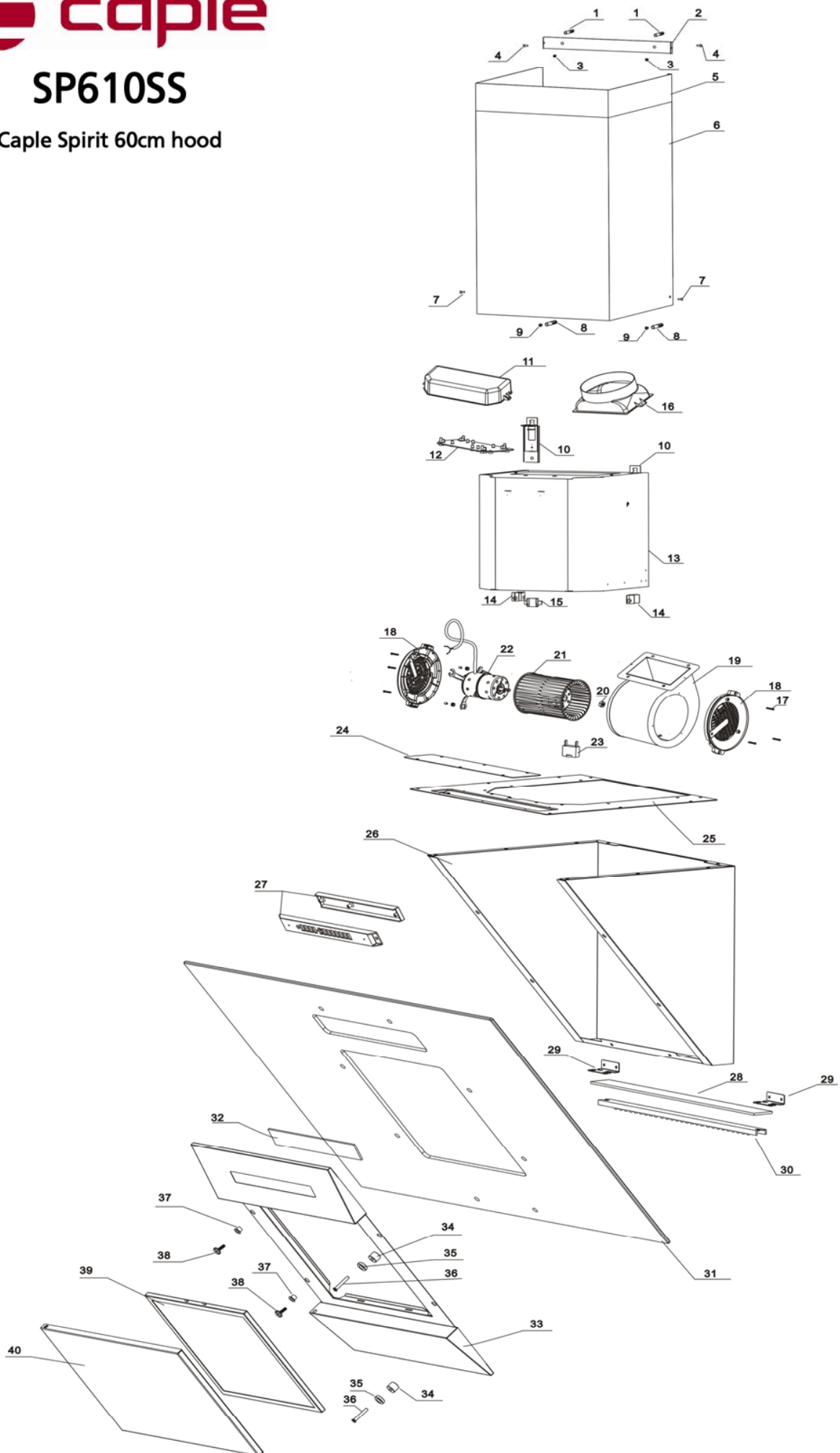


Technical information



SP610SS

Caple Spirit 60cm hood





SP610SS - Caple Spirit 60cm hood

Item	Part Code	Description	Qty
1	F-JL-6-30-A	6x30 inflatable colloidal particle	4
2	B-ZCB6003A	Support panel(upper funnel)	2
3	F-LD-4-16-SD	ST4x16 tapping screw	2
4	F-LD-3--8-BC	M3X8 stainless steel □countersunk head screw	4
5	B-YCZ6021A-02-1	Upper chimney cover	1
6	B-YCZ6020A-01-1	Lower chimney cover	1
7	F-LD-4-8-BL	M4x8 head mushroom screw	8
8	F-JL-10-45-A	10x45 inflatable colloidal particle	2
9	F-LD-5-50-SB	ST5x50mushroom tapping screw	2
10	B-GG6000A	Leveling device assembly	2
11	D-DYH6001A	Plastic case	1
12	D-DYB-YJ-K52.9S-QM2	Electric board	1
13	B-FJX6007A	Air chamber	1
14	D-XJ6002A	Clip 2	2
15	D-XJ6001A	Clip 1	1
16	D-ZHF6000A	Butterfly valve	1
17	F-LD-4-25-PD	M4×25 screw	6
18	D-AZB6000A	mounting plate	2
19	G-WK6004A	Winder system metal blower box	1
20	D-LM6002A	M6X1 Metal wind wheel fixing nut	1
21	D-FL6005A	750 Wind wheel	1
22	D-DJ6015A	750 Motor	1
23	D-DR-5-450	Capacitor (5μF)	1
24	B-GB6009A	Canopy top panel	1
25	B-LJB6029A	connecting board	1
26	B-BB6004A	back panel	1
27	D-KZB-YJ-K52.9S-QM	control case board compartment	1
28	D-DB6000B-BL	glass Lamp board	1
29	B-ZJ6107A	LED lamp installing bracket	2
30	D-LED6011A	LED lamp	1
31	D-BLZ6094A	Glass pannel	1
32	D-MB-K51.9S-BL	controller glass panel	1
33	B-MB6017A-1	stainless steel panel	1
34	G-SLD6001A-DD-G	magnet brakect plastic washer	2
35	D-CX6002A	Magnet	2
36	F-LD-5-30-CL	M5X30 countersunk head screw	2
37	D-SLD6000A	plastic mattress	8
38	F-LD-5-10-B	M5x10 tapping screw	2
39	D-LW6012A	Aluminium filter	1
40	B-GB6008A	stainless steel center panel	1