



# SP610BK

Caple Spirit 60cm hood Black

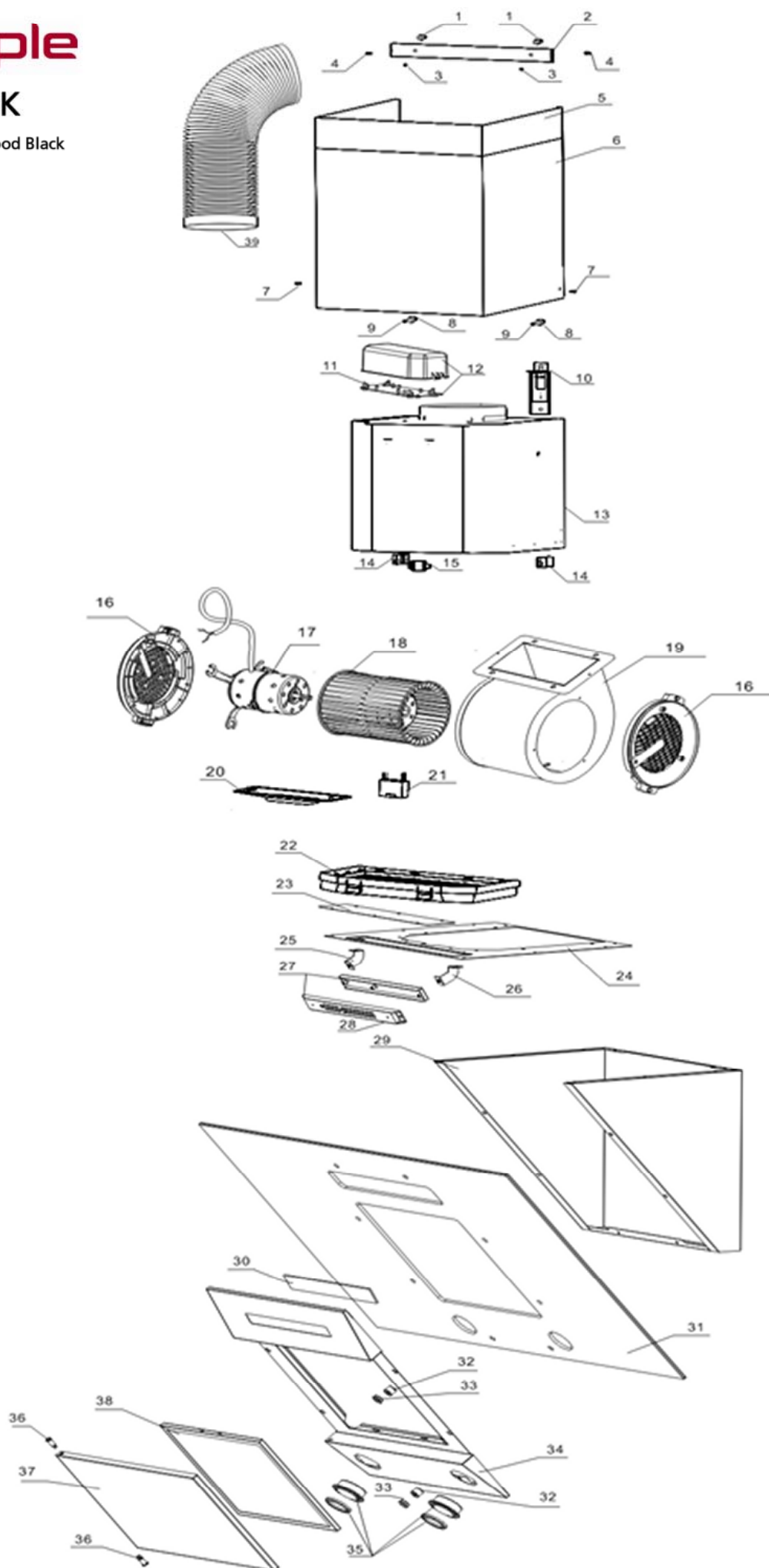


**Technical information**



# SP610BK

Caple Spirit 60cm hood Black





## SP610BK - Caple Spirit 60cm hood

| Item | Part Code           | Description                            | Qty |
|------|---------------------|--|-----|
| 1    | F-JL-6-30-A         | 6x30 plastic wall plug                 | 2   |
| 2    | B-ZCB6003A          | Bracket for upper funnel               | 2   |
| 3    | F-LD-4-16-SD        | ST4x16 self tapping screw              | 2   |
| 4    | F-LD-3--8-BC        | M3x8 stainless steel countersunk screw | 4   |
| 5    | G-YCZ6021A-02-2     | Upper funnel                           | 1   |
| 6    | G-YCZ6020A-01-2     | Lower funnel                           | 1   |
| 7    | F-LD-4--8-BL        | M4x8 B head mushroom screw             | 4   |
| 8    | F-JL-10-45-A        | 10x40 inflatable colloidal particle    | 2   |
| 9    | F-LD-5-50-SB        | ST5*50 head mushroom screw             | 2   |
| 10   | B-GG6000A           | Leveling device assembly               | 2   |
| 11   | D-DYB-YJ-H819YK2-QM | power case board                       | 1   |
| 12   | D-DYH6001A          | power case board compartment           | 1   |
| 13   | B-FJX6007A          | Air chamber                            | 1   |
| 14   | D-XJ6001A           | Clip 1                                 | 2   |
| 15   | D-XJ6002A           | Clip 2                                 | 1   |
| 16   | D-DQ6002A           | Blower shell                           | 1   |
| 17   | D-DJ6015A           | Motor 2 phase, 3 speed                 | 1   |
| 18   | D-FL6005A           | Propellor                              | 1   |
| 19   | G-WK6004A           | Metal blower box                       | 1   |
| 20   | D-YB5001A           | Oil cup                                | 1   |
| 21   | D-DR-5-450          | Capacitor 5 $\mu$ F                    | 1   |
| 22   | HXT6000B            | Charcoal filter                        | 1   |
| 23   | G-GB6008A-1         | Canopy top panel                       | 1   |
| 24   | G-LJT6000A-1        | connecting board                       | 1   |
| 25   | B-ZJ6084A           | left control case mount                | 1   |
| 26   | B-ZJ6084A           | Right control case mount               | 1   |
| 27   | D-KZH6005A          | control case board compartment         | 1   |
| 28   | D-KZB-YJ-K51.9S-XY  | control case board                     | 1   |
| 29   | G-BB6004A-1         | back panel                             | 1   |
| 30   | D-MB-K51.9S-BL      | controller pcb plastic panel           | 1   |
| 31   | D-BLZ6089A          | Glass canopy                           | 1   |
| 32   | G-SLD6001A-DD-G     | magnet brakect plastic washer          | 2   |
| 33   | D-CX6002A           | magnet brakect                         | 2   |
| 34   | B-MB6017A-2         | stainless steel panel                  | 1   |
| 35   | D-LED6011A          | LED strip                              | 1   |
| 36   | D-TT6000A           | bearing cap                            | 2   |
| 37   | G-MB6017A-2         | Aluminium filter cap                   | 1   |
| 38   | D-LW6012A-1         | Aluminium filter                       | 1   |
| 39   | D-DFG5000B          | Wind pipe                              | 1   |