



LC610WH

Caple Luna 600mm Chimney

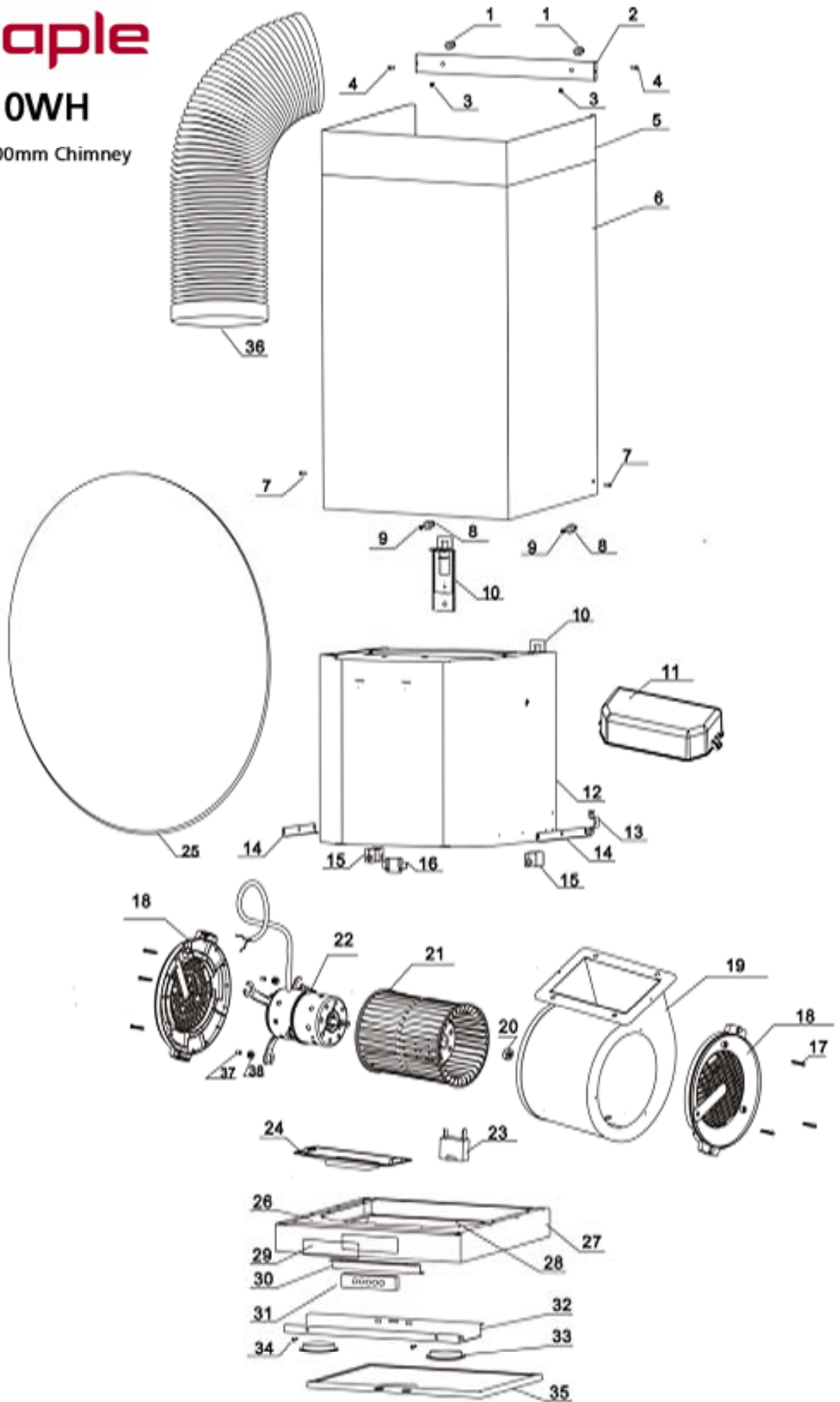


Technical information



LC610WH

Caple Luna 600mm Chimney





LC610WH - Caple Luna 600mm Chimney

Item	Part Code	Description	Qty
1	F-JL-6-3-A	6x30 plastic wall plug	4
2	B-ZCB6000A	Bracket for upper funnel	1
5	B-YCZ6006A-02-1	Upper funnel	1
6	B-YCZ6019A-01-1	Lower funnel	1
7	F-LD-4-8-BL	M4x8 round head screw	4
8	F-JL-10-45-A	10x45 plastic wall plug	2
10	B-GG6000A	Leveling device assembly	2
11	D-DYB-YJ-H819YK2-HC	Electric board	1
12	B-FJX6007A	Air chamber	1
15	D-XJ6002A	Clip 2	2
16	D-XJ6001A	Clip 1	1
18	G-WK6004A	Plastic blower box	1
	D-FL6005A	Propellor	1
	D-DJ6015A	Main motor,three speeds	1
23	D-DR-5-450	Capacitor (5 μ F)	1
25	D-MB-WSBTA-H58.6SW	Glass panel	1
33	B-LJB6000A	Blower body connecting board	1
34	B-ZJ6003A	Mount for switch	1
31	D-KZB-YJ-H819-HC4	Case for switch	1
27	B-BK6032A-1	Sensor frame	1
28	B-CT6000A-1	Back strip	1
32	B-DB600A-1	Lamp board	1
33	D-LED600A	LED Lamp	2
35	D-LW6000A	Aluminium filter	1

