



FGC600SS

**Caple Stainless Steel & Glass
600mm Extractor**

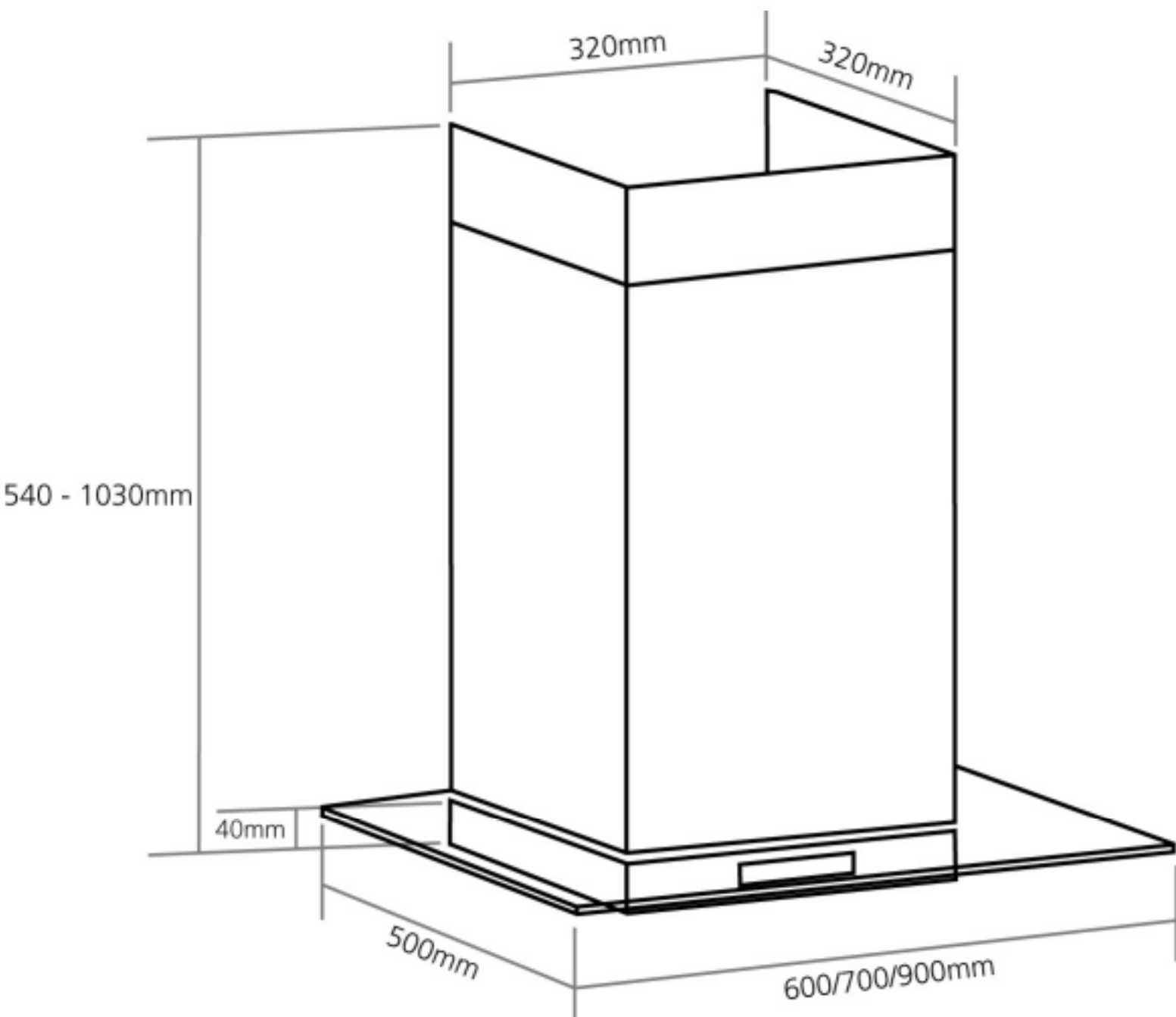


TECHNICAL INFORMATION



FGC600SS

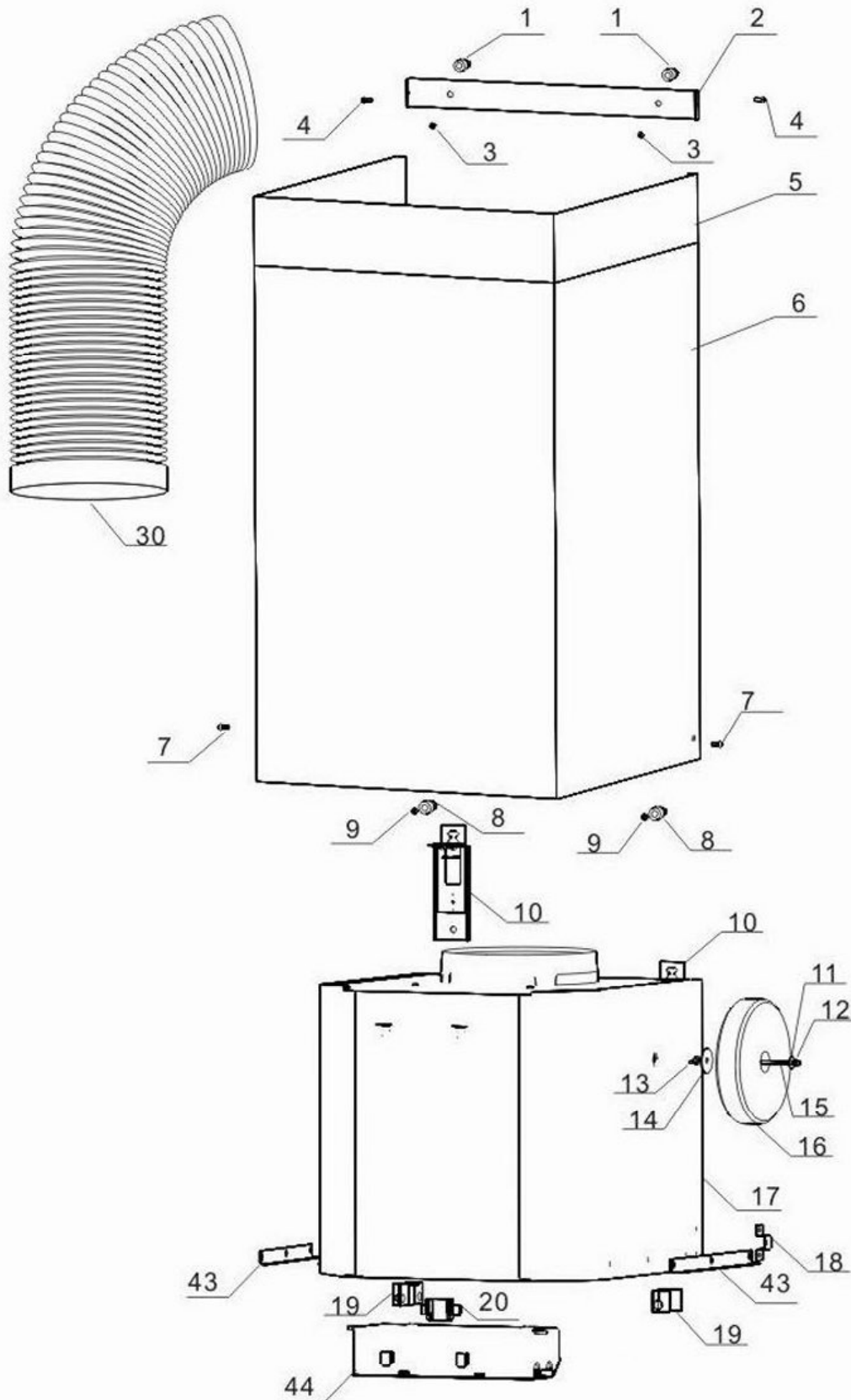
**Caple Stainless Steel & Glass
600mm Extractor**





FGC600SS

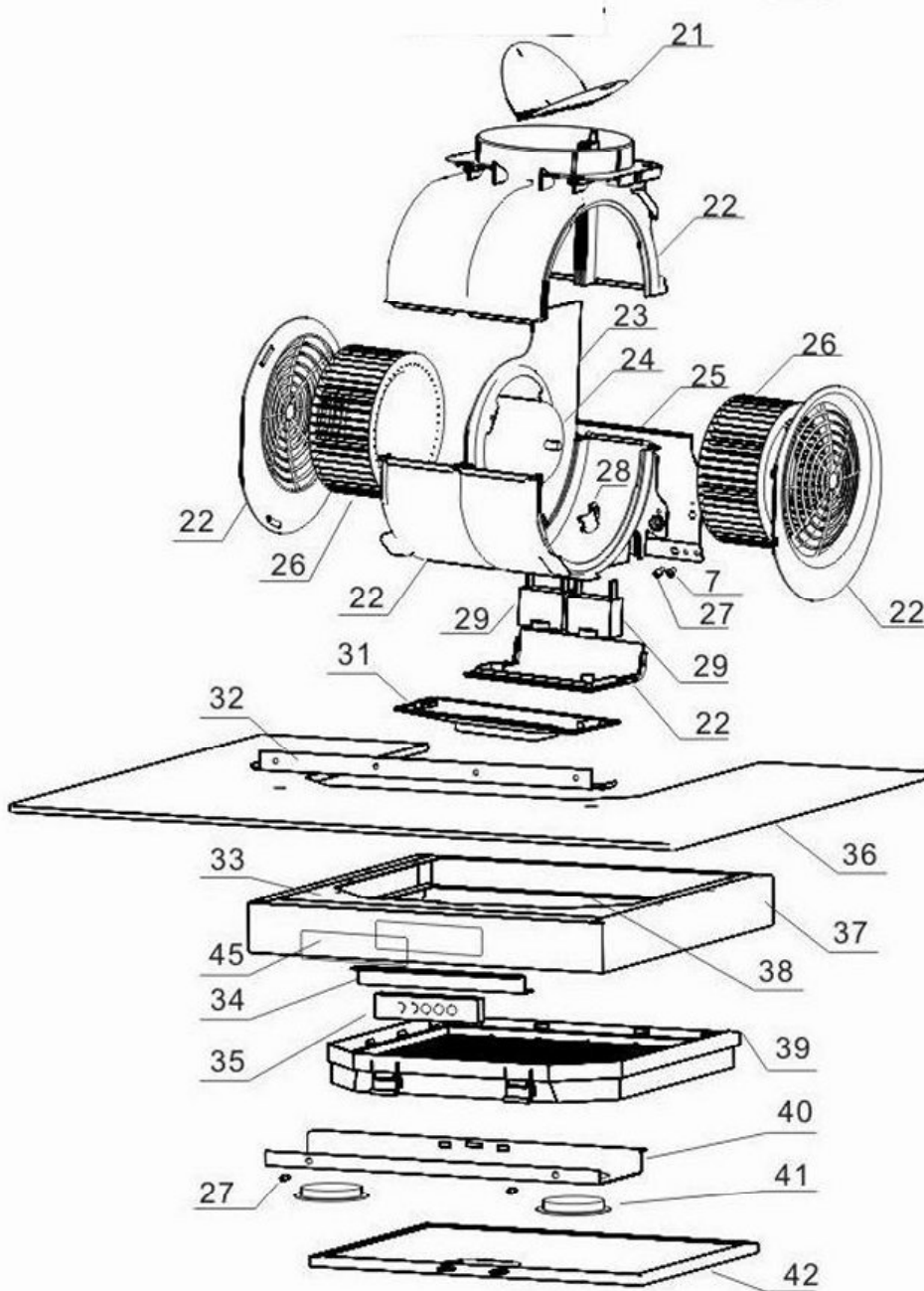
Cape S.S. & Glass Extractor





FGC600SS

Caple S.S. & Glass Extractor





FGC600SS - Caple S.S. & Glass Extractor

Item	Part Code	Description
1	FJL06-030-15A	6x30 plastic wall plug
2	BZCB600A-00-1	Bracket for upper funnel
3	FLD04-012-06A	ST4x 12 self tapping screw
4	FLD03-008-05 B	M3x8 stainless steel countersunk screw
5	BYCZ600A-00-1	Upper funnel
6	BYCZ601A-01-1	Lower funnel
7	FLD04-008-04AC	M4x8 round head screw
8	FJL08-035-15A	8x35 plastic wall plug
9	FLD04-035-06A	ST4x35 self tapping screw
10	BGG600A-00-1	Leveling device assembly
11	FPD04-008-07A	4mm washer
12	FTD04-08A	4mm spring lock washer
13	FLM04-01E	M4 butterfly nut
14	FPD06-024-07A	6mm washer
15	FLD04-040-18A	M4x40 Round head screw
16	DBYQ600A-00-1	Torroidal transformer
17	BFJX600A-00-1	Air chamber
18	BZJ601 A-00-1	Lower funnel connecting bracket
19	DXJ602A-00-1	Clip 2
20	DXJ601A-00-1	Clip 1
21	DTH600A-00-1	Butterfly valve
22	DWK600A-00-1	Blower shell
23	BGDB601 A-00-1	Motor mount
24	DDJ600A-00-1	Motor 2 phase, 3 speed
25	BGDB600A-00-1	Blower mount
26	DFL601 A-00-1	Propellor left & right
27	DLD601 A-00-1	Mounting rivet
28	DGDJ600A-00-1	Chord clip
29	DDR600A-00-1	Capacitor 6 u F
30	DDFG500A-00-1	PVC duct
31	DYB501 A-00-1	Oil collector
32	BGDT601 A-00-1	Front mounting bar of glass canopy
33	BIJB600A-00-1	Canopy top panel
34	BZJ603A-00-1	Mount for switch
35	DKZH600A -00-1	Case for switch
36	DBLZ600A-00-1	Glass canopy
37	BBK.602A-00-1	Frame(stainless steel)
38	BCT600A-00-1	Back chassis panel
39	DHXT600A-00-1	Charcoal filter
40	BDB600A-00-1	Lamp board
41	DSYD600A-00-1	Halogen Lamp
42	DLW600A-00-1	Aluminium filter
43	BGDT600A-00-1	Left & right mounting bar of glass canopy



FGC600SS - Caple S.S. & Glass Extractor

Item	Part Code	Description
44	DDYH600A-00-1	Electronic controller
45	DMB600A-00-1	controller peb plastic panel
46	DDR601 A-00-1	Capacitor(3 u F)



FGC600SS, FGC700SS, FGC900SS Chimney Extractors

Instructions to fit CAP24CF Carbon Filter.

- 1. ISOLATE THE ELECTRICAL SUPPLY FROM THE EXTRACTOR.**
2. Remove the metal grease filter.
3. Use a cross point screwdriver to remove two screws that fix the bottom light panel in position.
4. Pull the light panel to the back and remove. It is located by two lugs.
5. With the light panel removed there is access into the chimney to fit the carbon filter.
6. Locate the back edge of the filter in position and push into position. The filter has two plastic brackets that “snap” into two slots in the body.
7. Refit light panel.
8. Refit metal grease filter.

