



Wall chimney hood instruction manual

AS611 / AS911



Contact Caple on 0117 938 7420 or for spare parts www.caple.co.uk





CONTENTS

Introduction	3
Safety precautions	5
Environmental protection	9
Instructions for installation	10
Operating instructions	17
Care and maintenance	20
Troubleshooting	23
Guarantee and servicing	24
Caple Service contact details	28

Please keep this instruction manual for future reference





INTRODUCTION

Thank you for choosing this Caple extractor hood.

To ensure that you get the best results from your new extractor, we strongly suggest that you read this instruction manual thoroughly before use. If treated with care, your Caple extractor should give you years of trouble-free use.

To register ownership, please ensure you complete and return the guarantee card supplied with the appliance or visit www.caple.co.uk and register here.

This instruction manual is designed to provide you with all the required information related to the installation, use and maintenance of the appliance.

This hood is designed to extract unpleasant odours from the kitchen; it is not intended to extract steam. In order to operate the unit correctly and safely, please read this instruction manual carefully before installation and use.

The cooker hood uses high quality materials and is made with a streamlined design. Equipped with an electric motor and centrifugal fan, it provides strong extraction with low noise. It also features non-stick grease filters and an easy installation.

Please keep this instruction manual for future reference



IMPORTANT

This appliance must only be used for the purpose it is intended. Other types of use are not permitted and may prove dangerous. Caple will not be held liable for any damage caused by the incorrect use of the appliance.

Do not use any accessories or attachments not recommended by Caple as this may result in fire, electric shock or injury.

To protect against fire, electrical shock and injury to persons, do not immerse cords or plugs in water or any other liquid.

Never touch the appliance with wet or damp hands.

Never pull the power cable as you could damage it.

If the appliance is faulty, do not attempt to repair it. Isolate it from the mains electric supply and contact Caple Service either by phone 0117 938 7420 or email service@caple.co.uk.

Keep all packaging (including plastic bags, polystyrene foam etc) out of the reach and away from children.

Do not rest large or unstable objects on any part of the appliance.

Please keep this instruction manual for future reference





IMPORTANT

Caple cannot be held responsible for injuries or losses caused by incorrect use or installation of this product. Please note that Caple reserve the right to invalidate the guarantee supplied with this product following incorrect installation or misuse of the appliance. Under no circumstances should any external covers be removed for servicing or maintenance except by suitably qualified personnel.

SAFETY PRECAUTIONS

- Never let children operate the machine.
- The cooker hood is for home use only, not suitable for barbecuing, restaurants or other commercial purposes.
- The cooker hood and its filter should be cleaned regularly in order to keep in good working condition.
- Clean the cooker hood according to the instruction manual to reduce the risk of fire.
- When using a gas hob, do not leave naked flames under the extractor.
- Before connecting this appliance check that the power supply cord is not damaged.
- If the room where the hood is to be used contains

Please keep this instruction manual for future reference



a fuel burning appliance such as a central heating boiler then its flue must be of the sealed or balanced flue type. If other types of flue or appliances are fitted ensure that there is an adequate supply of air to the room.

- The air must not be discharged into a flue that is used for exhausting fumes from appliances burning gas or other fuels.
- Regulations concerning the discharge of air have to be conformed to.
- Do not flambé under the cooker hood.
- Never leave frying pans unattended during use as over-heated fats and oils may catch fire.
- To ensure the best performance, we recommend switching on the extractor 15 minutes before cooking and leave it running 15 minutes after. This will ensure that the air in the kitchen is being circulated before cooking commences and the air is being cleaned after cooking has finished.
- The performance of your extractor will vary depending on a number of factors. These include type of extraction, room volume, length of ducting, ventilation available and the cleanliness of the filters.
- This appliance is not intended for use by persons (including children) with reduced physical, sensory

Please keep this instruction manual for future reference





or mental capabilities, or lack of experience and knowledge, unless they have been given supervision or instruction concerning use of the appliance by a person responsible for their safety.

- Children should be supervised to ensure that they do not play with the appliance.
- Cleaning and user maintenance must not be made by children without supervision.
- Never immerse the appliance in water.
- This product is not designed for commercial use, it is a household appliance only. It is not intended to be used in:
 - Staff kitchen areas in shops, offices and other working environments,
 - Bed and breakfast type environments,
 - By clients in hotels, motels and other residential type environments.
- To avoid all risk, if the power cable is damaged, it must only be replaced by a Caple appointed engineer.
- Appliances can be used by persons with reduced physical, sensory or mental capabilities or lack of experience and knowledge if they have been given supervision or instruction concerning use of

Please keep this instruction manual for future reference





the appliance in a safe way and understand the hazards involved.

- Children must not play with this appliance.
- When not in use and before cleaning, always isolate the appliance from the electrical supply.

ELECTRICAL SHOCK HAZARD

- Only plug this unit into a properly earthed outlet. If in doubt seek advice from a suitably qualified engineer.
- Failure to follow these instructions can result in death, fire, or electrical shock.
- This appliance must be connected to the mains by a competent person. We recommend that the appliance is connected by a qualified electrician who is a member of the N.I.C.E.I.C who will comply with the I.E.E and local regulations. Electrical information can be found on the rating plate.

Please keep this instruction manual for future reference





ENVIRONMENTAL PROTECTION

Waste electrical products should not be disposed of with household waste. Please recycle where facilities exist. Check with your Local Authority or retailer for recycling advice.

This appliance is marked according to the European directive 2002/96/EC on Waste Electrical and Electronic Equipment (WEEE).

By ensuring this product is disposed of correctly, you will help prevent potential negative consequences for the environment and human health, which could otherwise be caused by inappropriate waste handling of this product.

The symbol on the product indicates that this product may not be treated as household waste. Instead it shall be handed over to the applicable collection point for the recycling of electrical and electronic equipment.

Disposal must be carried out in accordance with local environmental regulations for waste disposal.

For more detailed information about treatment, recovery and recycling of this product, please contact your local council, your household waste disposal service or the retailer where you purchased the product.

Please keep this instruction manual for future reference





CE DECLARATIONS OF CONFORMITY

This appliance has been manufactured to the strictest standards and complies with all applicable legislation, Low Voltage Directive (LVD) and Electromagnetic Compatibility (EMC).

INSTRUCTIONS FOR INSTALLATION

Before you start

- The cooker hood conforms to related appliances standards. Please check your local building codes for any additional requirements.
- The appliance has been manufactured as class I, therefore earthed connection is necessary. The cooker hood must be installed so that the plug is easily accessible.
- For ease of installation, the light assembly should be fitted using a magnetic screwdriver before the hood is installed on the wall.
- The plastic cover is to protect the light assembly in transit. Once the light is fitted to the hood, the plastic cover is easily removed by slackening the screws and pulling the cover off.

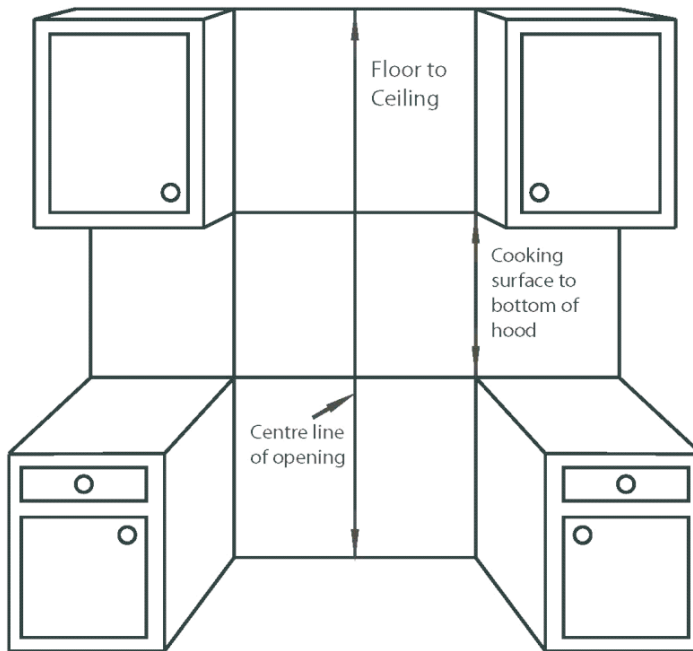
Please keep this instruction manual for future reference





Planning your installation

- Measure the floor to ceiling height. This hood can be installed on walls between 8ft and 9ft tall.
- Find the centre point of your opening. Mark a plumb line through this point from ceiling to your range/hob.
- Check your range/hob user manual for the minimum distance above your cooking surface. The minimum distance between any element or flame height and the nearest combustible surface is 61cm.
- Decide where the ductwork will run between the hood and the outside. Short, straight duct runs will provide the most air flow.
- If a recirculating kit is required (Code: 2 x CAP55CF), you may purchase one through your dealer or visit www.caple.co.uk.



Please keep this instruction manual for future reference

Instruction manual AS611 / AS911 11



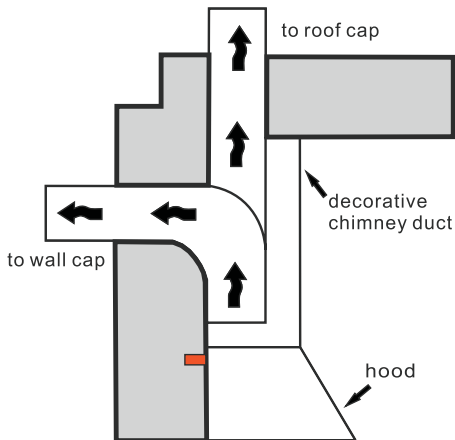


Remove all packaging

- Remove the packaging with the product in place. Cut off the packing ribbons and carefully cut open the packaging (do not cut too deeply), remove the packaging. Check that the product is free from transport damage. Any damage should be reported immediately to the carrier or retailer. Damage, faults and missing parts must be reported immediately to the retailer.

Installing the ductwork

- Plan where the ductwork will run between the hood and the outside. The hoods exhaust vertically but can be ducted to the rear behind the chimney duct through an outside wall or vertically up through the ceiling to the roof. A short straight duct run will produce the most air flow. Length and elbows will reduce the efficiency of the blower.
- Install a roof or wall cap. Connect a 150mm round duct to the cap and work backwards toward the hood. Ensure joints are completely sealed with duct tape.



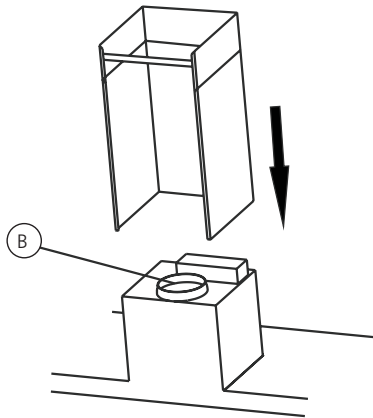
Please keep this instruction manual for future reference





Fixing the chimney flu

- Carefully loosen but do not separate the telescopic chimney duct pieces.
- Arrange the electrical power supply within the dimensions of the chimney duct.
- Adjust the width of the support bracket to match the upper duct. Fix it to the ceiling using the screws so that it is centred in line with your hood and at a distance from the ceiling indicated.



Please keep this instruction manual for future reference

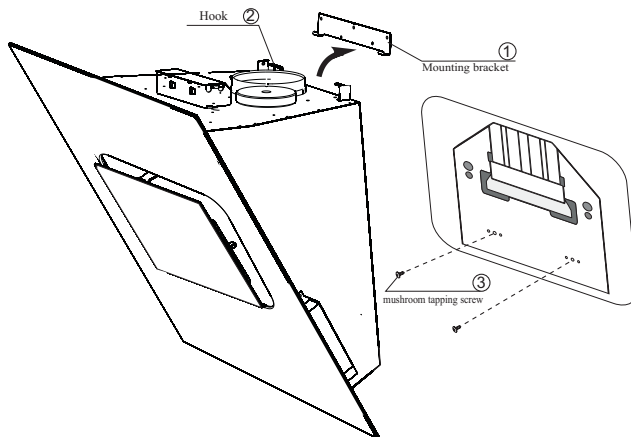
Instruction manual AS611 / AS911 13





Fixing to the wall

- Before mounting the hood, plug in and test all functions for correct operation.
- Remove the filters from the bottom of the hood to prevent damage during the installation.
- With assistance, hold the hood temporary in position ensuring the bottom is above the minimum clearance for the cooking surface. Mark on the wall the holes for the two mounting screws.
- Drill the holes and install the mounting bracket (1). Use the appropriate screws and screw anchors for your wall type (e.g. reinforced concrete, drywall, etc.). If necessary, prepare back wall with cross framing for secure installation.
- Mount the hood onto the bracket (2).
- Install two mushroom tapping screw into the wall.
- Connect a duct tube (not included) to the exhaust piece using duct tape on all seals (B).

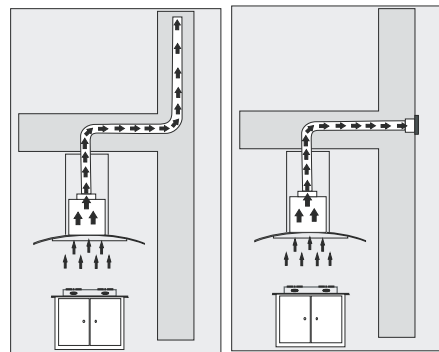
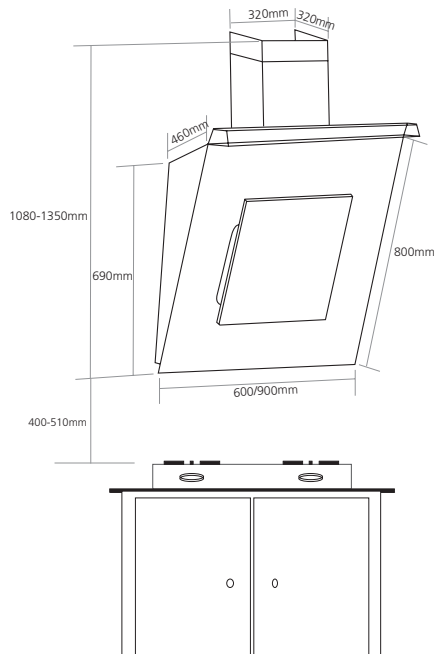


Please keep this instruction manual for future reference





Installation guidelines



Note:

The above installation guideline is for reference only, please contact your local dealer for a installation service.

Note:

The cooker hood should be placed at a minimum distance of 40-51cm above the hob. It is the manufacturer of the hob who determines the clearance required. The clearance quoted by the hob manufacturer must be followed. In the absence of any instructions supplied with a gas hob the minimum distance between the hob and the bottom of the hood must be at least 51cm.

Please keep this instruction manual for future reference

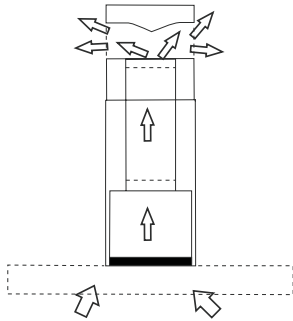




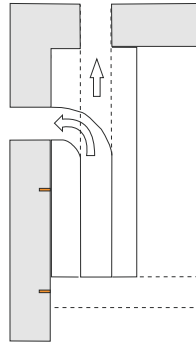
Installation alternatives

- The cooker hood can be installed in the following ways:
- Circulating indoor air (A) or outdoor venting (B)

A



B



Important

- If a two-part connection tube is used, the lower section must sit outside the upper section.
- Do not connect the cooker hood exhaust to a duct used to circulate hot air or vent steam from another appliance.
- Always use protective gloves when installing the appliance.

Please keep this instruction manual for future reference





OPERATING INSTRUCTIONS

Operations

- For optimum performance when removing cooking odours, it is recommended that you turn on your cooker hood 15 minutes prior to cooking and you leave it operating for 15 minutes after cooking.
- Clean the surfaces of the cooker hood regularly using a non-abrasive detergent.
- The anti-grease filters capture the grease particles suspended in the air. They will accumulate grease and dirt depending on the frequency of the use of your range/hob.
- In order to prevent a fire hazard, it is recommended that you clean the aluminium filter at least every 2 months

Warning:

- Do not attempt to remove the filters while the cooker hood is operating.
- Disconnect the electrical plug prior to any maintenance.
- This appliance is not intended for use by young children or infirm persons without supervision.
- There should be adequate ventilation in the room when the cooker hood is used at the same time as other fuel burning appliances.

Please keep this instruction manual for future reference

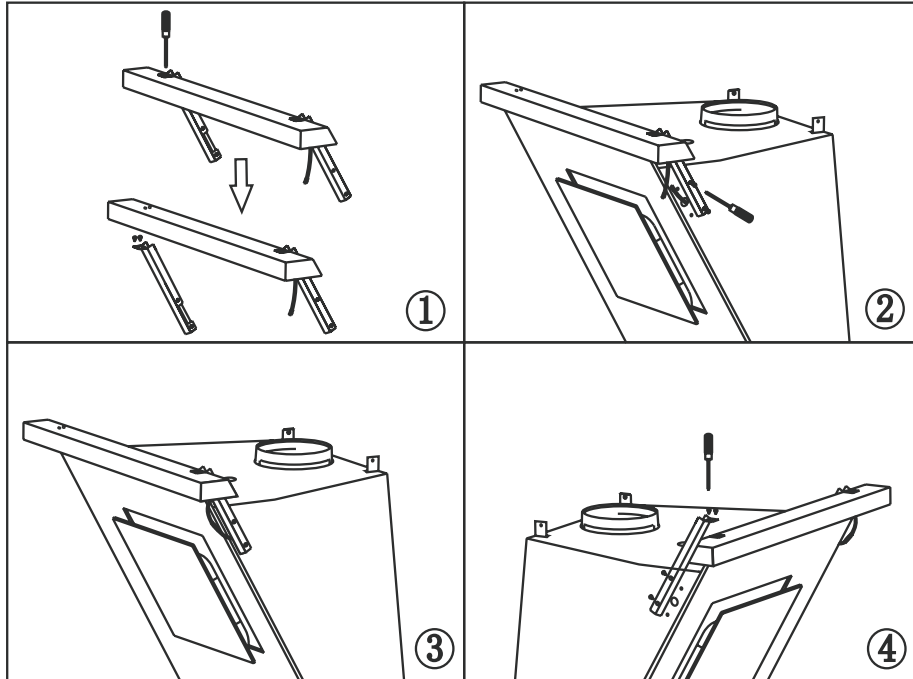
Instruction manual AS611 / AS911 17





Installation for lamp cover

- Separate lamp cover and lift the bracket by unscrewing.
- Install the right bracket to the cooker hood, then tighten the screws.
- Connect two cables.
- Re-Install left bracket and tighten the screws.

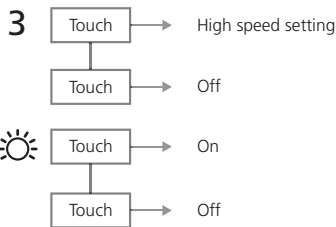
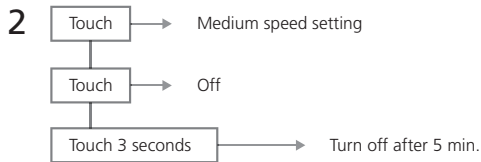
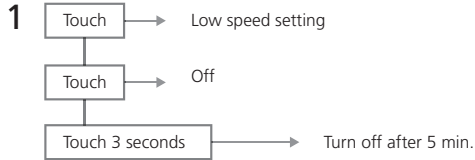


Please keep this instruction manual for future reference





Description of touch controls



Please keep this instruction manual for future reference



CARE AND MAINTENANCE

Important

- Before cleaning or maintenance please switch off the electricity supply and remove the plug from the wall.

Regular cleaning

- Use a soft damp cloth with lukewarm mildly soapy water or household cleaning detergent. Never use metal pads, chemicals, abrasive material, abrasive cleaning creams or stiff brushes to clean the appliance.

Cleaning the grease filter

- Clean the filter every month to help minimise the risk of fire.
- The filter collects grease, smoke and dust, therefore the filter is directly affecting the efficiency of the cooker hood. If not cleaned, the grease residue (which is potentially flammable) will saturate the filter. Clean with warm water and washing up liquid or clean it in the dishwasher. Please ensure no other items are washed with the filters to prevent food becoming trapped in the gauze. Cleaning the grease filters in the dishwasher may lead to discolouration, this is normal and is not a fault with the product.

Replacing your charcoal filter

- This only applies if you are using the hood in recirculation mode (not vented to the outside). The charcoal filter need to be replaced, this can vary depending on how frequently the cooker hood is used. We recommend replacing them at least every 6 months.
- This extractor uses 2 x CAP55CF charcoal filter. Filters can be purchased directly from www.caple.co.uk.

Please keep this instruction manual for future reference



How to replace the charcoal filter

- Pull the front panel to open it.
- Remove the grease filter.
- Twist the charcoal filter attached to the motor to unlock and remove these.
- Reverse steps to fit replacement filter.



Replacing the bulbs

- This extractor is fitted with a 4 x 1.5W LED lights. The illumination is designed for use during cooking and not for prolonged periods of time to light the kitchen. Prolonged use of the lights may reduce the lifetime of the bulbs.

Warning

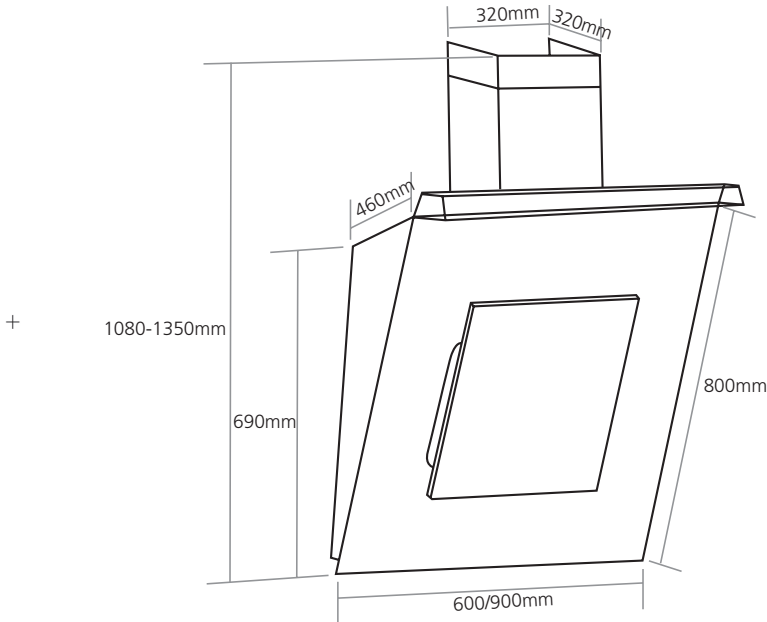
- Do not touch or change the bulbs when the hood is operating. Wait until the bulb is cool before removing.
- Use the same bulbs as the originals (1.5W LED). Replacement bulbs are available from www.cuple.co.uk.

Removing the LED lights

1. Remove the light bar from the extractor by unscrewing the fixing brackets either side of the hood.
2. Unscrew the back of the light bar and remove this section.
3. Disconnect the lights you wish to replace and push these lights out from the light bar.
4. Replace the lights and reconnect.
5. Reassemble the light bar and fix back onto the extractor.

Please keep this instruction manual for future reference





Please keep this instruction manual for future reference





TROUBLESHOOTING

PROBLEM	POSSIBLE REASON	SOLUTION
Hood doesn't turn on	<ul style="list-style-type: none">- No electrical supply- Power cord is damaged	<ul style="list-style-type: none">- Check the plug is connected- Check the main switch is turned on- Contact Caple Service
Poor airflow	<ul style="list-style-type: none">- Aluminium grease filters are clogged- Charcoal filters are clogged – recirculating mode only	<ul style="list-style-type: none">- Clean the filters and replace when dry- Replace the charcoal filters
Hood is vibrating	<ul style="list-style-type: none">- Hood is not secured properly	<ul style="list-style-type: none">- Check the installation of hood. Tighten mounting screws
Motor is running but there is no airflow	<ul style="list-style-type: none">- Butterfly valve jammed	<ul style="list-style-type: none">- Contact Caple Service
Motor stops after a few minutes	<ul style="list-style-type: none">- High temperature safety device activated- The hood is installed too close to the cooking surface	<ul style="list-style-type: none">- The kitchen is not sufficiently ventilated- The hood must be at least 61 cm from the stove
Strong cooking smell	<ul style="list-style-type: none">- Fan speed is too low- Charcoal filters not installed	<ul style="list-style-type: none">- Use a higher setting- In recirculation mode charcoal filters must be installed
Oil dripping onto hob	<ul style="list-style-type: none">- Aluminium grease filter saturated	<ul style="list-style-type: none">- Wash the aluminium grease filters
Whirring sound	<ul style="list-style-type: none">- Something in contact with fan blade	<ul style="list-style-type: none">- Contact Caple Service
Lights are working fan isn't		<ul style="list-style-type: none">- Contact Caple Service
Fan is working but lights are not		<ul style="list-style-type: none">- Contact Caple Service

Please keep this instruction manual for future reference





Guarantee and servicing

- Before booking a service call read the troubleshooting table above. For more information on guarantee and service conditions, please contact Caple Service on 0117 938 7420 or email service@caple.co.uk.

Guarantee

- Caple undertake that if within two years of the date of the purchase this appliance or any part thereof that is proved to be defective by reason only of faulty workmanship or materials, we will at our option repair or replace the same free of any charge for labour or materials on condition that:
 - Documentation must be provided before a guarantee repair commences to confirm that the extractor is within the guarantee period.
 - The appliance has been correctly installed and used only on the electrical supply stated on the rating plate.
 - The appliance has not been serviced, maintained, repaired, taken apart or tampered with by any person not authorised by us.
- All service work under this guarantee must be undertaken by Caple Service.
- Any appliance or defective part replaced shall become the property of this company.
- If a service call is made and it is found that the installation has not been carried out correctly or customer misuse/abuse is involved the cost of the service call has to be paid for by the user before any service work is carried out.

Exclusions

- This guarantee does not cover:
 - Damage or calls resulting from transportation, improper use or neglect, the replacement of any light bulbs or removable parts of glass or plastic.
 - Costs incurred for calls to put right appliances improperly installed or calls to appliances outside the United Kingdom.
 - Appliances found to be in use within a commercial environment, plus those which are the subject of rental agreements.
- This guarantee is in addition to and does not affect your statutory and legal rights.

Please keep this instruction manual for future reference





Please keep this instruction manual for future reference

Instruction manual AS611 / AS911 25





Please keep this instruction manual for future reference





Please keep this instruction manual for future reference

Instruction manual AS611 / AS911 27





Caple Service
Fourth Way
Avonmouth
Bristol
BS11 8DW

t: 0117 938 7420
e: service@caple.co.uk
www.caple.co.uk

Please keep this instruction manual for future reference

