



AS910BK

Caple Astro 90cm Chimney BLACK

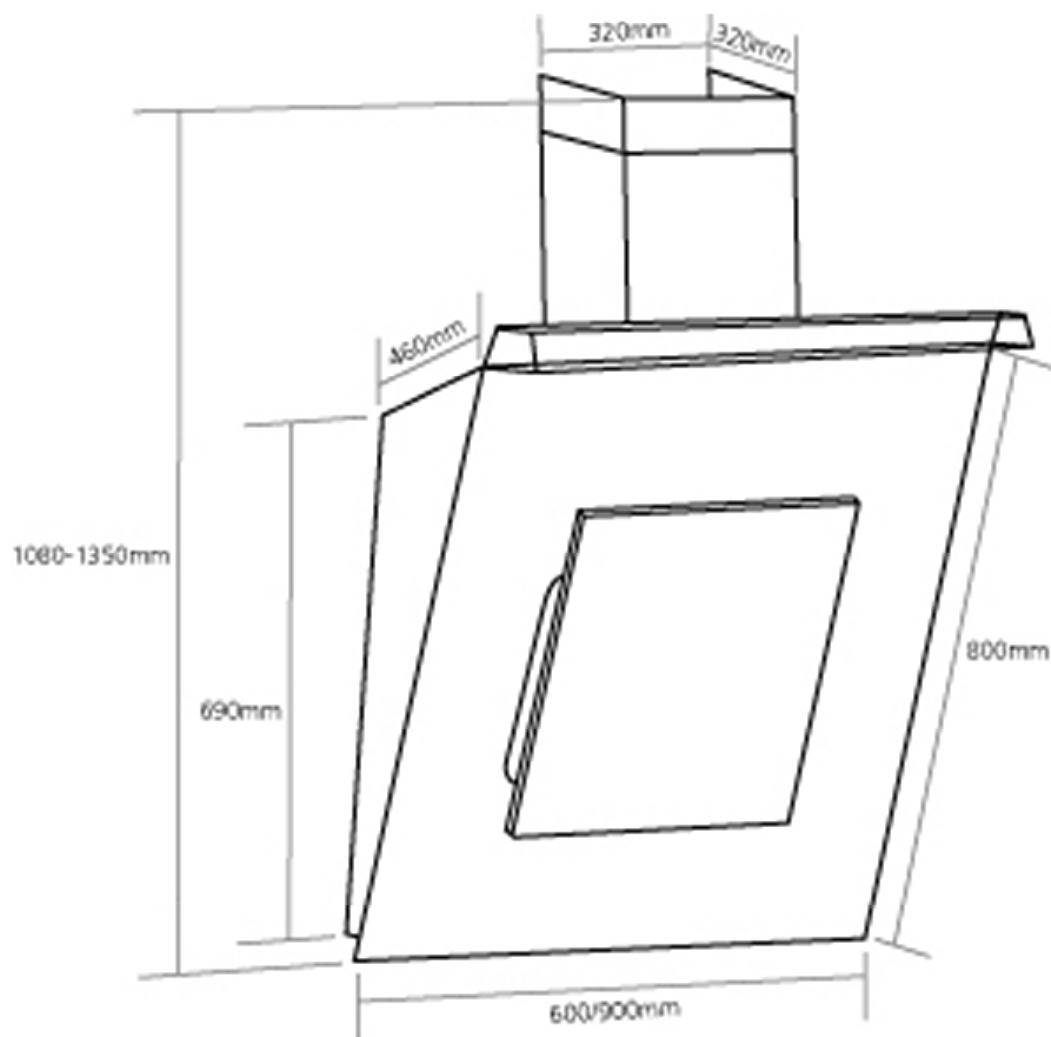


Technical information



AS910BK

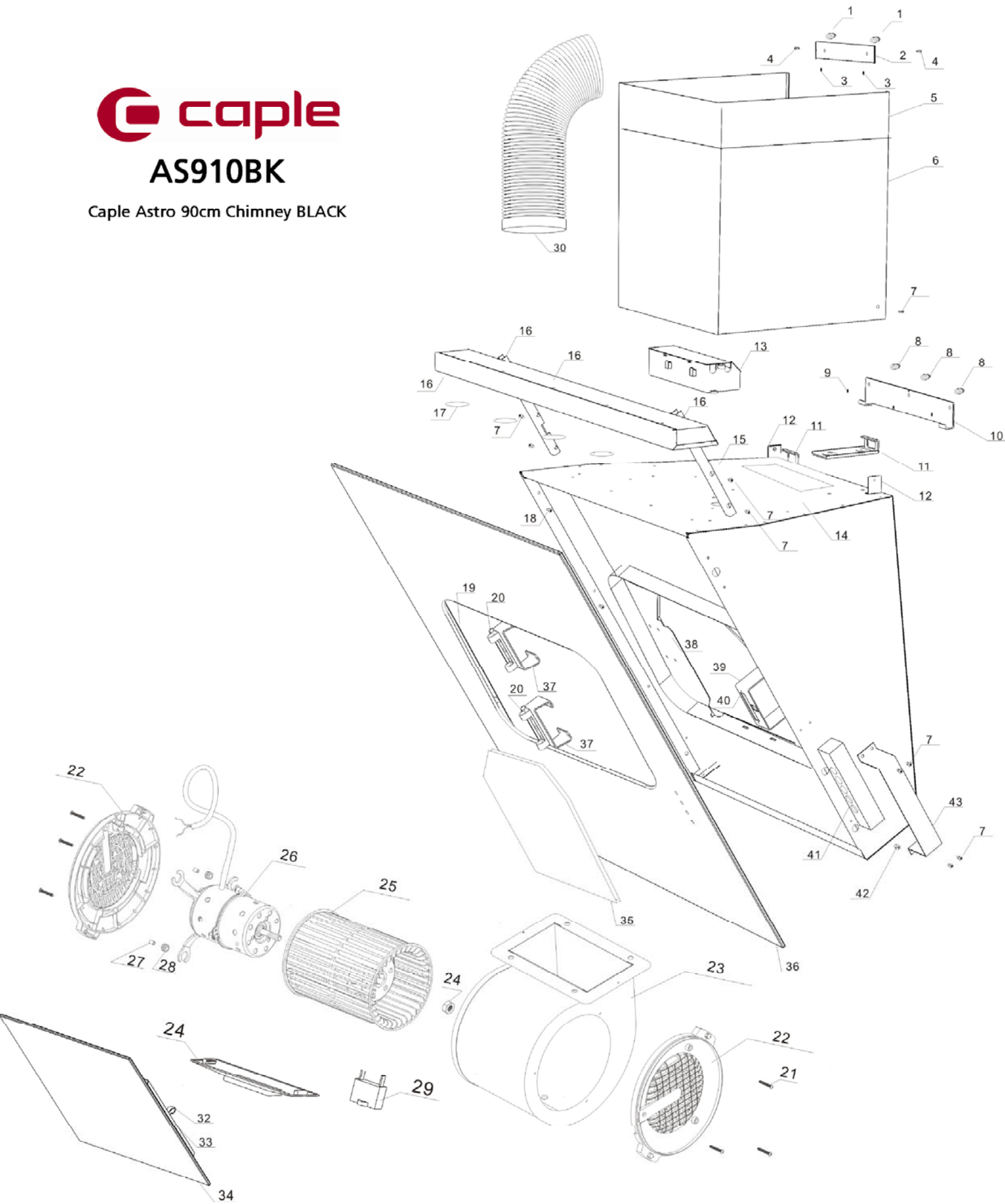
Caple Astro 90cm Chimney BLACK





AS910BK

Caple Astro 90cm Chimney BLACK





AS910BK - Caple Astro Chimney

Item	Part Code	Description	Qty
1	F-JL-6-30-A	6x30 inflatable colloidal particle	4
2	B-ZCB6000A	Support panel(upper funnel)	2
3	F-LD-4-12-S	ST4x12mushroom tapping screw	4
4	F-LD-3-8-BC	M3x8 stainless steel countersunk head screw	4
5	B-YCZ6006A-02-1	Upper chimney cover	1
6	B-YCZ6005A-01-1	Lower chimney cover	1
7	F-LD-4-8-BL	M4x8 B head mushroom screw	2
8	F-JL-8-35-A	8x35 inflatable colloidal particle	3
9	F-LD-4-35-SB	ST4x35 mushroom tapping screw	3
10	G-GG6001A-PF-B	Leveling device	1
11	G-GGZ6000A-PF-B	Leveling device bracket	2
12	B-ZJ6012A	Connecting bracket(Lower funnel)	2
13	D-DYH6001A	Sensor control power supply case	1
14	D-BYQ6000A	Annular transformer	1
15	G-BB6000B-PF-B	Back board	1
16	B-ZJ6007A-01	lamp cover	1
17	DLED6000A	Quartz Lamp	4
18	D-LD6003A	Bolt	6
19	B-GDB6003A-01	Outside glass fixing board	1
20	D-JL6000A	Gemel	2
21	F-LD-4-16-B	M4X16 Big oblate head screw	6
22	D-AZB6000A	Plastic mounting plate	2
23	G-WK6004A	Metal blower box	1
24	D-LM6002A	Metal wind wheel fixing nut	1
25	D-FL6005A	Propellor	1
26	D-DJ6015A	Motor	1
27	D-DQ6002A	Cupreous washer	3
28	D-XJD6000A	Motor rubber mat	3
29	D-DR-5-450	Capacitor(5μF)	2
30	D-DR-5-450	Wind pipe	1
31	D-DR-5-450	Oil cup	1
32	B-KJ6000A	Small bracket	1
33	B-GDB6003A-01	Centre glass fixing board	1
34	D-BL-H83-B	Centre glass	1
35	D-LW6004A	Aluminium filter	1
36	D-BL-WSB-H83.9SB	Outside glass	1
37	G-JLZ6001A-PF-B	Gemel bracket	2
38	G-ZJ6044A-PF-B	Middle bracket	1
39	G-CXZ6001A-PF-B	Magnet bracket	1
40	D-CX6000A	Magnet	1
41	DKZBYJH819QM	Sensor control case	1
42	F-LD-5-10-B	M5x10 mushroom head screw	2
43	G-ZJ6010A-PF-B	Controller installing bracket	1
A	G-GG6001A-PF-W	Leveling device	1



AS910BK - Caple Astro Chimney

Item	Part Code	Description	Qty
B	G-GG6001A-PF-W	Leveling device bracket	2
C	D-BL-H83-W	Centre glass	1
D	D-BL-WSB-H83.9SW	Outside glass	1
-	DDYBYJH819YK2HC	PCB	1

