



# AN900

Caple Anoka 90cm hood

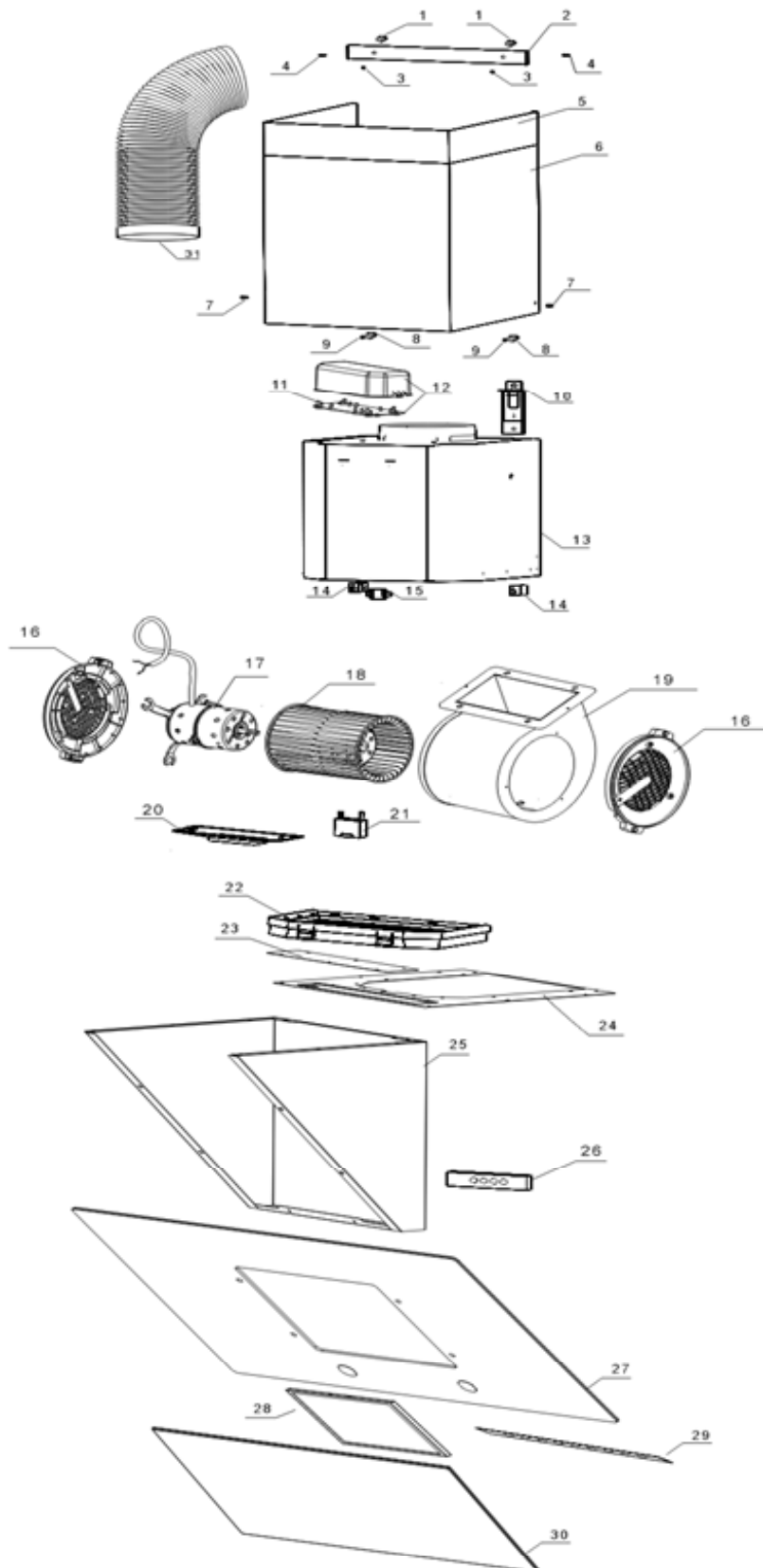


Technical information



# AN900

Caple Anoka 90cm hood





## AN900 - Caple Anoka 90cm hood

Item	Part Code	Description	Qty
1	F-JL-6-30-A	6x30 plastic wall plug	2
2	B-ZCB6003A	Bracket for upper funnel	2
3	F-LD-4-16-SD	ST4x16 self tapping screw	2
4	F-LD-3-8-BC	M3x8 stainless steel countersunk screw	4
5	B-YCZ6021A-01-1	Upper funnel	1
6	B-YCZ6020A-02-1	Lower funnel	1
7	F-LD-4--8-BL	M4x8 B head mushroom screw	4
8	F-JL-10-45-A	10x40 inflatable colloidal particle	2
9	F-LD-5-50-SB	ST5*50 head mushroom screw	2
10	B-GG6000A	Leveling device assembly	2
11	D-DYB-YJ-H819YK2-QM1	power case board	1
12	D-DYH6001A	power case board compartment	1
13	B-FJX6007A	Air chamber	1
14	D-XJ6001A	Clip 1	2
15	D-XJ6002A	Clip 2	1
16	D-AZB6000A	Blower shell	2
17	D-DJ6015B	Motor 2 phase, 3 speed	1
18	D-FL6005A	Propellor	1
19	G-WK6003A	Metal blower box	1
20	D-YB5001A	Oil cup	1
21	D-DR-5-450	Capacitor 5 $\mu$ F	1
22	HXT6000A	Charcoal filter	1
23	B-GB6009A	Canopy top panel	1
24	B-LJB6029A	connecting board	1
25	G-BB6008C-PF-B	panel	1
26	D-KZB-YJ-H819YK-QM3	control case board	1
27	D-BLZ-CP-K53.9SB	Glass canopy	1
28	D-LW6012A	Aluminium filter	1
29	D-LED6007A	LED lamps	1
30	D-MB-K53.9SB	Centre glass	1
31	D-DFG5000B	Wind pipe	1