

■ **CAPLE** ■

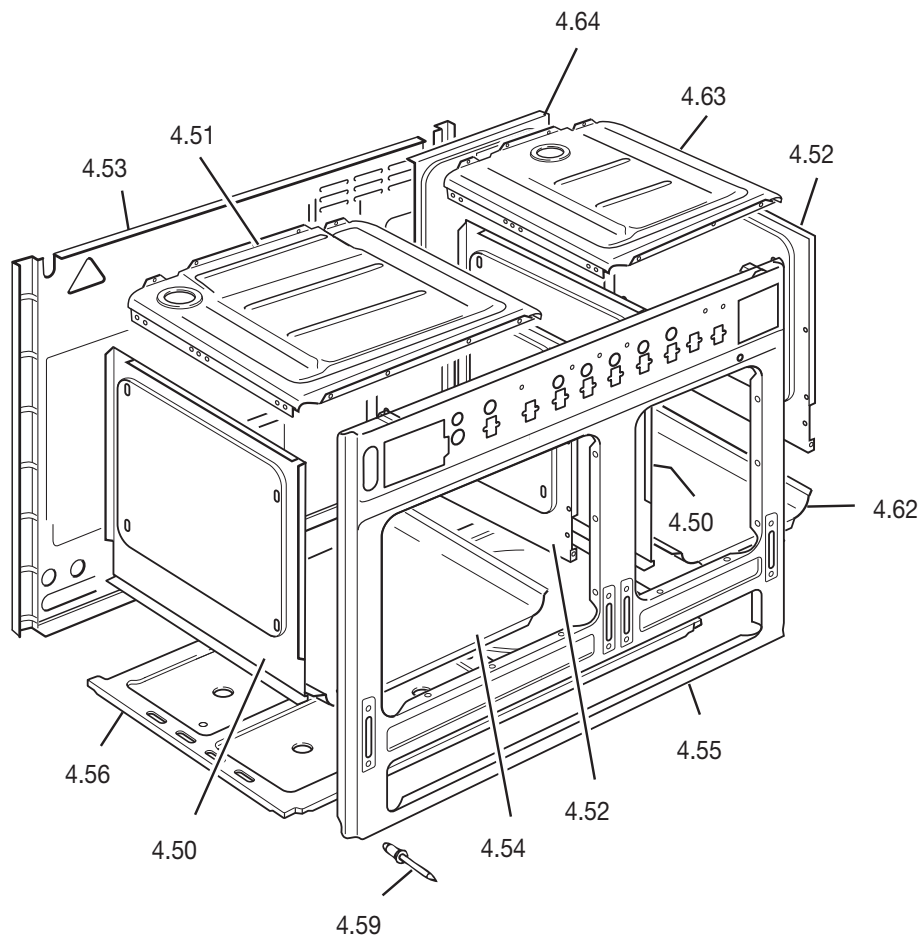
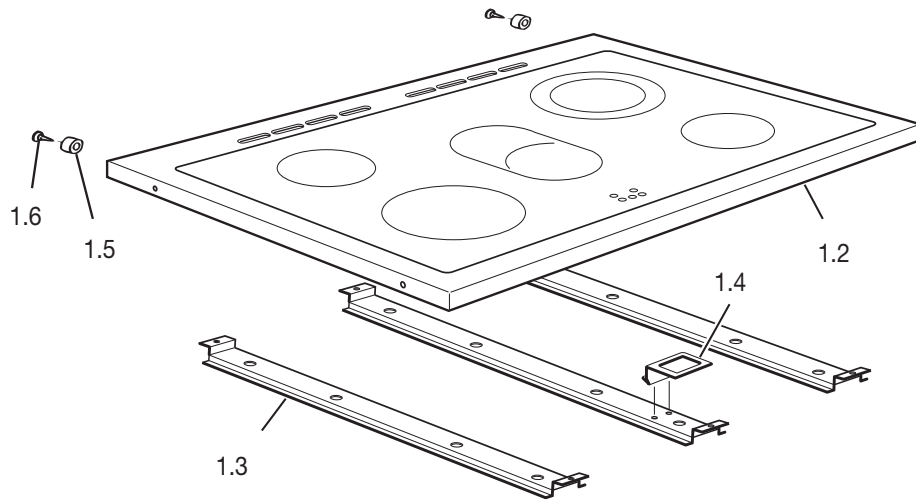
Product code:

C9T0CP102X

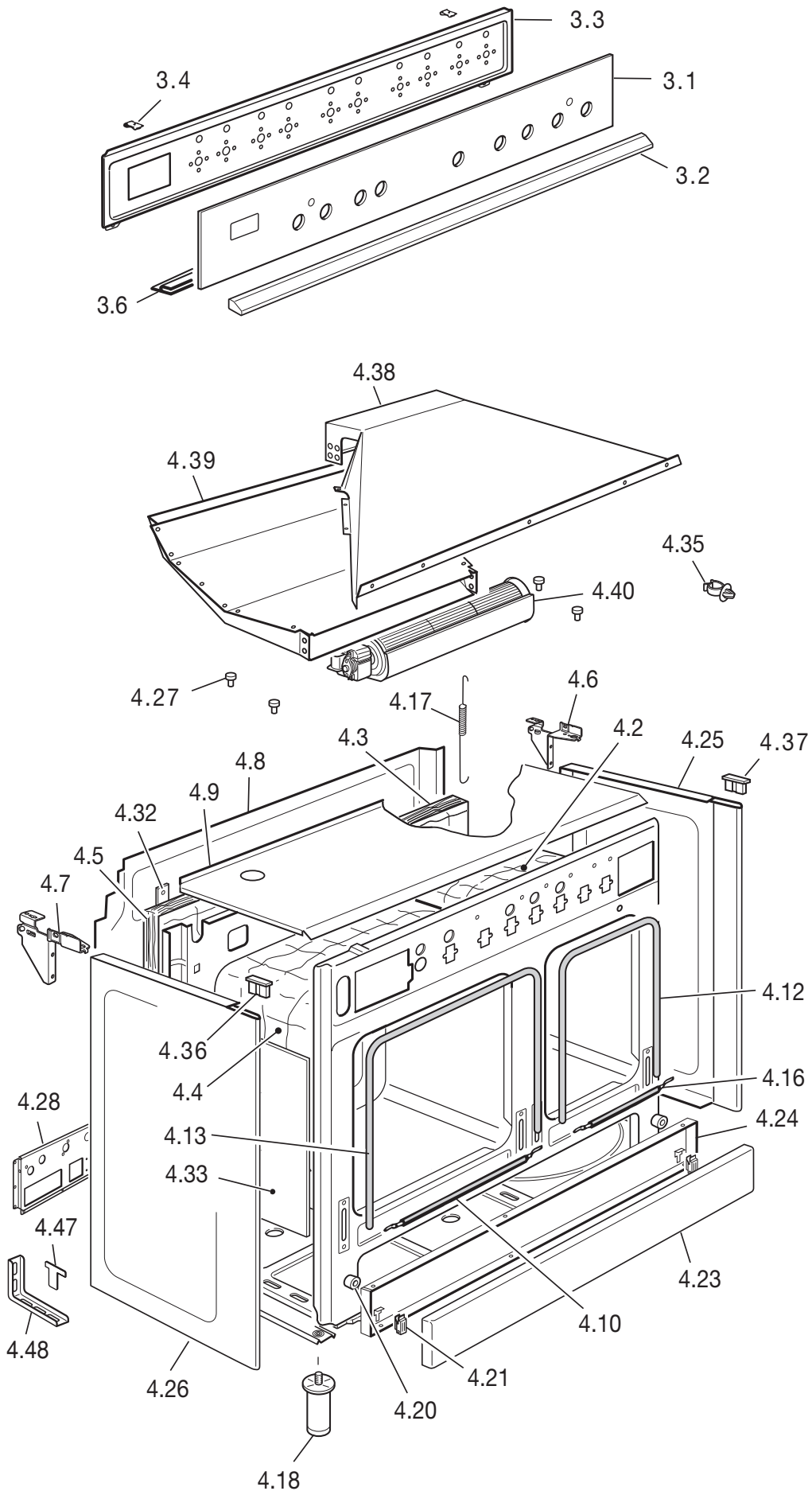
Product: **Cooker**

Model: **CR 9227**

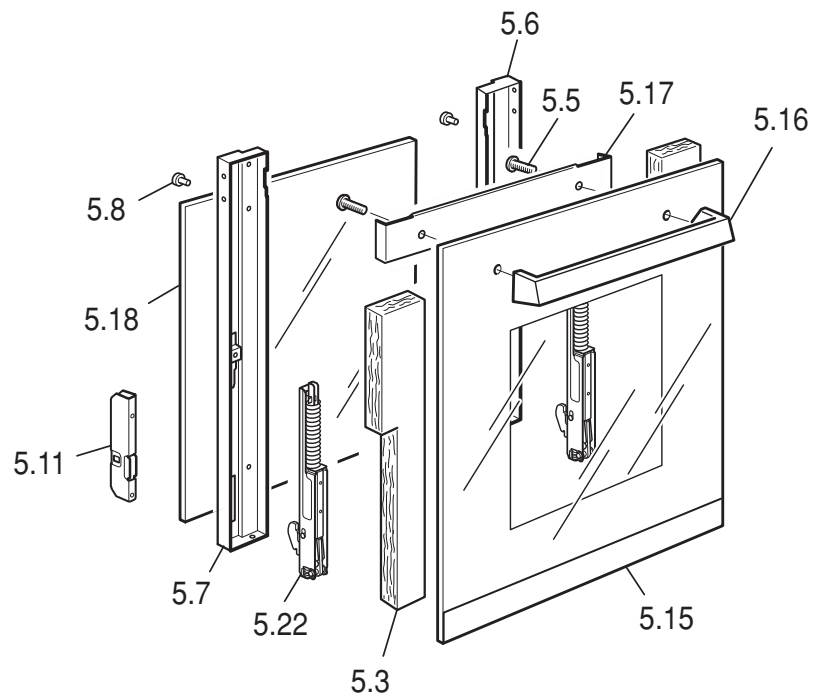
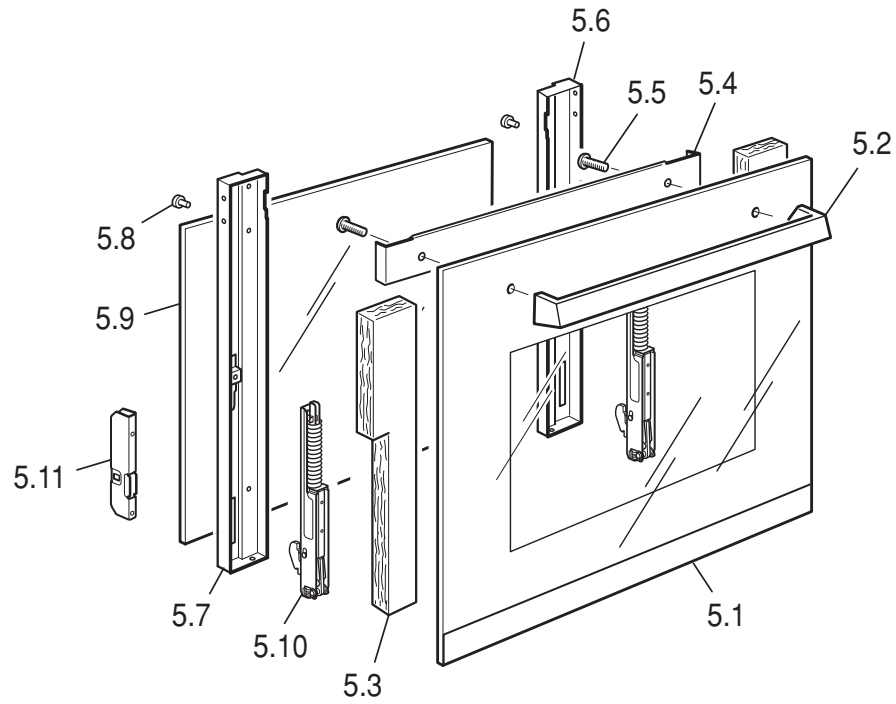
Product code	Serial No.	Product remark	Issue No.	Issue Date
C9T0CP102X			18.C6327	May 2013



Ref.	Part description	Product code	
		C9T0CP102X	
		Feature	Part code
1.2	Glass with frame		355VC9S03
1.3	Hotplate support		51B9S02
1.4	Front control lamp support		094408
1.5	Spacer left/right		040041001
1.6	Stainless steel screw		001057
4.50	Oven side panel (Left)		45EN6106G
4.51	Top oven panel		45EN6101G
4.52	Oven side panel (Right)		45EN6107G
4.53	Body rear panel		45H9S001G
4.54	Oven floor		47E6102G
4.55	Body front panel		45B36T02G
4.56	Lower element cover		45K96004Z
4.59	Rivet		211012
4.62	Oven floor		47E36T03G
4.63	Top oven panel		45E36T02G
4.64	Body rear panel		45H36T05G

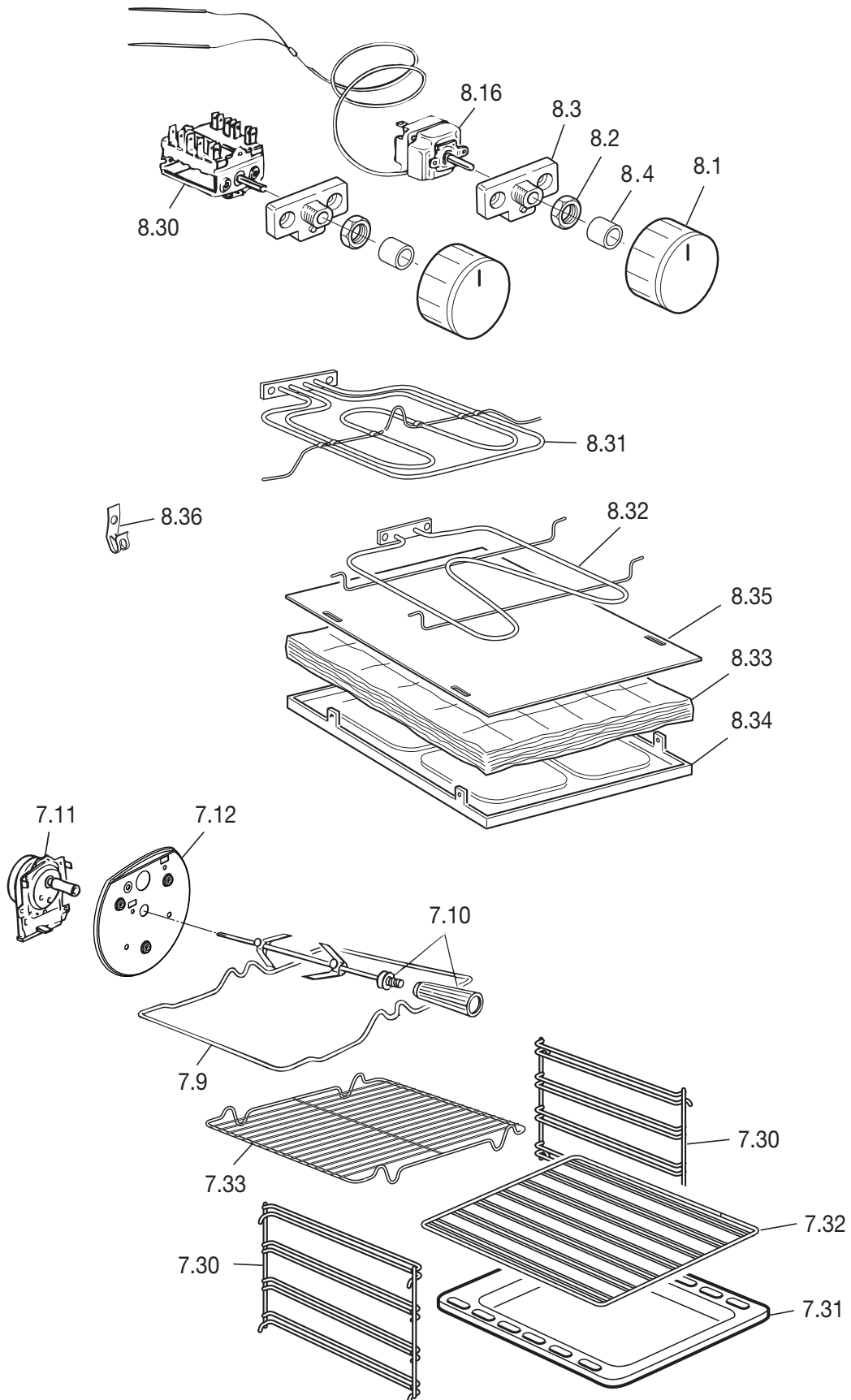


Ref.	Part description	Product code	
		C9T0CP102X	
		Feature	Part code
3.1	Control panel		0329T004
3.2	Control panel trim		1031191
3.3	Interior control panel		35M9S004A
3.4	Clips		213007
3.6	Control panel seal		053109
4.2	Oven insulation		030257
4.3	Rear insulation		030254.1
4.4	Oven insulation		030256.1
4.5	Rear insulation		030232.1
4.6	Rear right coupler		094502DX
4.7	Rear left coupler		094502SX
4.8	Rear panel		4119T02
4.9	Upper shelter		4219T06Z
4.10	Top/bottom seal		053074
4.12	Seal		053093
4.13	Seal		053039
4.16	Bottom seal		053094
4.17	Insulation spring		035101
4.18	Shim		103564
4.20	Buffer		040061
4.21	Hinge		063075
4.22	Sleeve		085044
4.23	Front panel		371V9609LCP
4.24	Inside panel		373V9601A
4.25	Side panel right		36C91D1S
4.26	Side panel left		36C91S1S
4.27	Buffer		040056
4.28	Right oven support		4213605Z
4.32	Rear insulation support		4219604Z
4.33	Hinge protection		4216108Z
4.35	Tube retainer		531533
4.36	Left stopper		081084/NS
4.37	Right stopper		081083/NS
4.38	Air conveyor		46A9S02Z
4.39	Funnel		46A9S01Z
4.40	Tangential fan		079025
4.47	Lock pin		103172
4.48	Anti-tilt bracket		094153

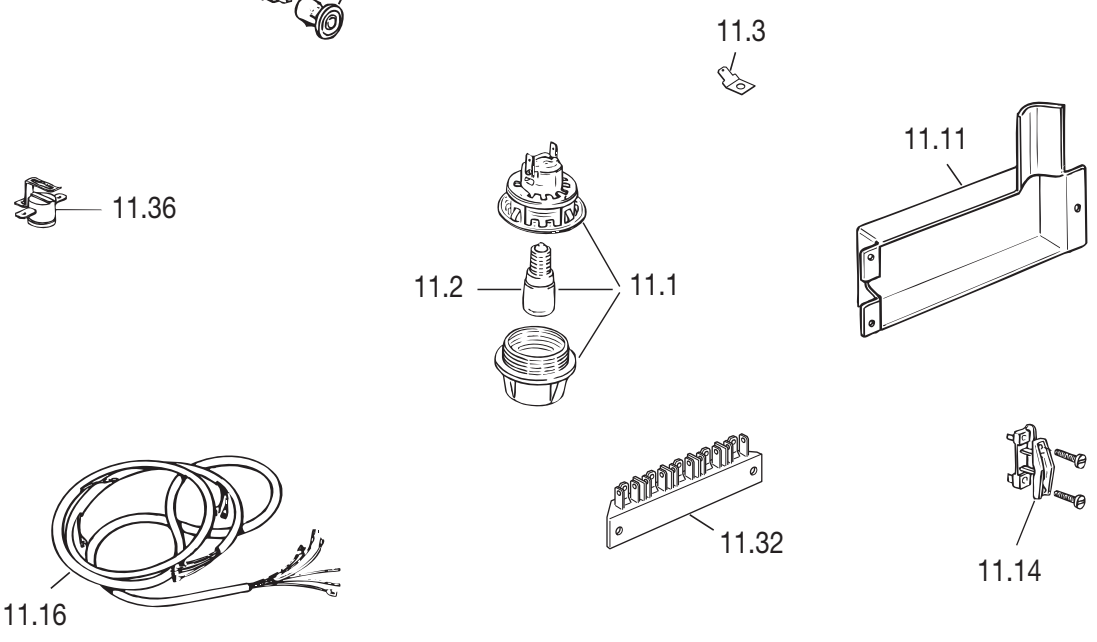
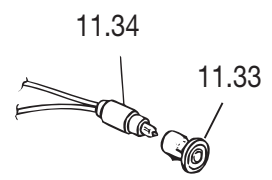
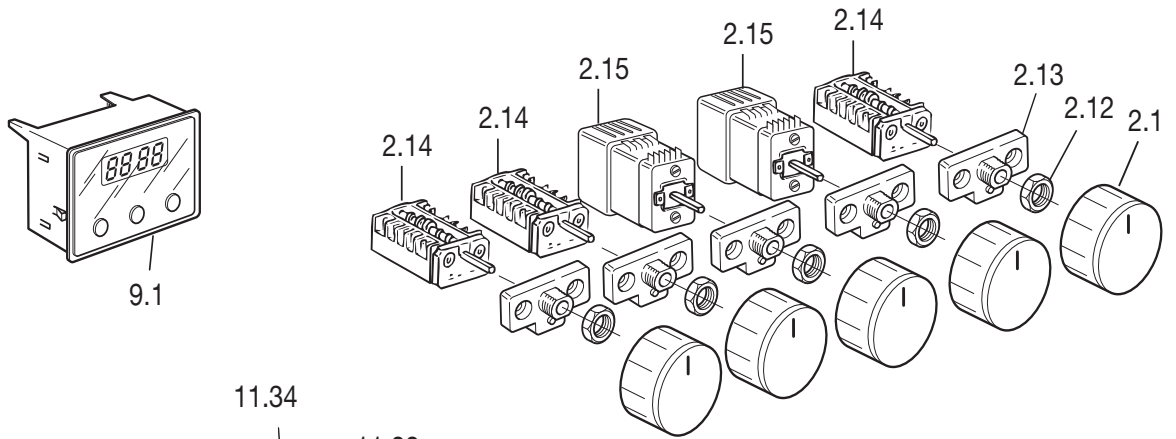
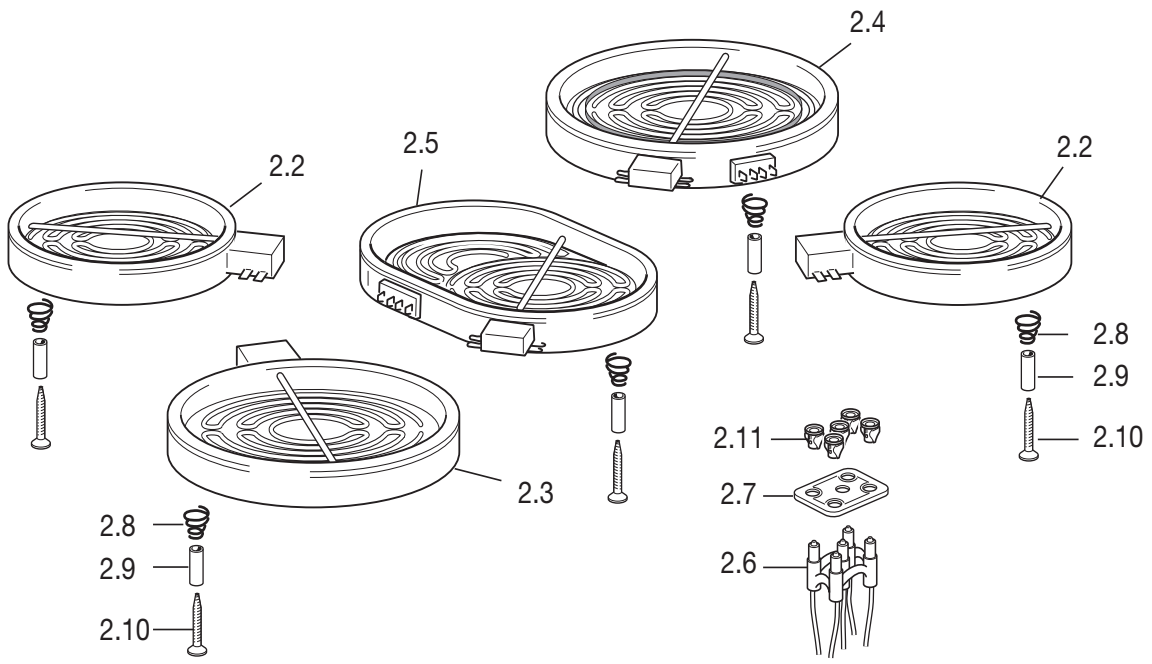


Ref.	Part description	Product code	
		C9T0CP102X	
		Feature	Part code
5.1	Door glass		0321T004
5.2	Door handle		037299061
5.3	Oven door insulation lateral		030187.1
5.4	Fixing bar		51B6509A
5.5	Door handle screw		001208
5.6	Right door trim		51A9T02DA
5.7	Left door trim		51A9T02SA
5.8	Rubber		040051
5.9	Inner glass		0313071TH
5.10	Right door hinge (male)		063142
5.11	Door hinge (female)		063148
5.15	Door glass		0329S2728B
5.16	Door handle		037300061
5.17	Fixing bar		51B9S07A
5.18	Inner glass		0313072TH
5.22	Left door hinge (male)		063143

Ref.	Part description	Product code	
		C9T0CP102X	
		Feature	Part code
8.1	Oven knob		2183009482
8.2	Switch nut		214063
8.3	Switch plate support		103210.1
8.4	Knob sleeve		085081
8.15	Oven switch		050028.1
8.16	Oven thermostat		066072
8.17	Top + grill element	230V	062158004
8.18	Bottom element	230V	062107004
8.19	Bottom element insulation		030083.1
8.20	Bottom insulation support		4216102Z
8.23	Fan diffuser		47AN604G
8.24	Fan motor		079008001F
8.26	Fan element	230 V	062097004
8.27	Clips		213025
8.29	Bottom element plate		4216108Z
7.1	Shelf support		217291
7.3	Oven tray		48B6101G
7.4	Oven shelf		217439
7.5	Grill-pan grid		217397
7.12	Grill-pan grid handle		037144



Ref.	Part description	Product code	
		C9T0CP102X	
		Feature	Part code
7.9	Rotisserie support		217539
7.10	Rotisserie spear		080026+037012
7.11	Rotisserie motor		079014
7.12	Disk		51BFG05
7.30	Shelf support		217291
7.31	Oven tray		48B9S001G
7.32	Oven shelf		217542
7.33	Grill-pan grid		217537
8.1	Oven knob		2183009482
8.2	Switch nut		214063
8.3	Switch plate support		103210.1
8.4	Oven knob sleeve		085081
8.16	Oven thermostat		066072
8.30	Oven switch		050030
8.31	Top + grill element		062152001
8.32	Bottom element	230V	062151001
8.33	Bottom element insulation	230V	030235.1
8.34	Bottom element support		4213608Z
8.35	Bottom element protection		4213607Z
8.36	Clip		213025



Ref.	Part description	Product code	
		C9T0CP102X	
		Feature	Part code
2.1	Knob		2183009482
2.2	Radiant hotplate - rear left, front right	Ø 145 - 1200W	04714230
2.3	Radiant hotplate - front left	Ø 180 - 1700W	04716230
2.4	Double radiant hotplate - rear right	210/120 - 2100/700W	04744230
2.5	Oval radiant hotplate - centre	Ø 140x250 - 1800/1000W	04745230
2.6	Hob hot assembly front centre		073087
2.7	Control lamp plate		1031134
2.8	Spring hob for each hot plate (2 for each hotplate)		035075
2.9	Spacer hob for each hot plate (2 for each hotplate)		085043
2.10	Screw hob for each hot plate (2 for each hotplate)		001111
2.11	Control lamp support		1031121
2.14	Switch pack - rear left, front right, front left		050021/E
2.15	Energy regulator - centre, rear right		050052230
9.1	Electronic timer		074105
11.1	Lamp holder assembly		072003
11.2	Lamp - 15 W		073013001
11.3	Earth plate		094221
11.11	Terminal block cover - rear cooker		103658A
11.14	Cable clamp - rear cooker		052008
11.16	Wiring loom		1132196
	Wires for hotplates		1131300
11.32	Terminal block - rear cooker	40A - 6P	051037
11.33	Control lamp lens - Red		073041.2
11.34	Control neon	L = 230	073039.2
11.36	Cut-out thermostat - left oven	160°C	066123
	Cut-in thermostat - left oven / right oven cooling fan	80°C	066145
	Cut-out thermostat - right oven	140°C	066057
-	Instruction booklet		1104259