



# CR9220

Caple 900 Range 2 Cavity Ceramic

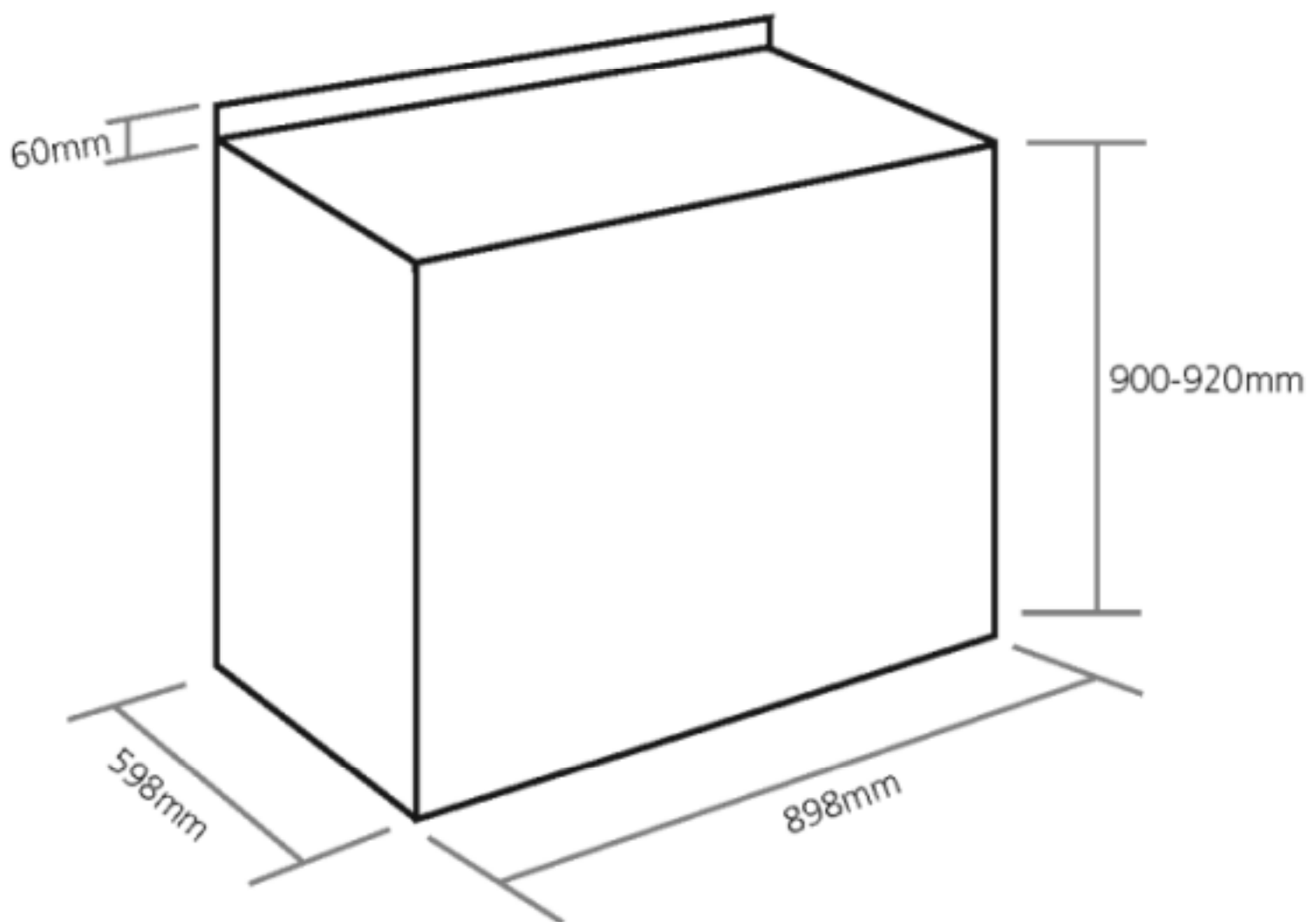


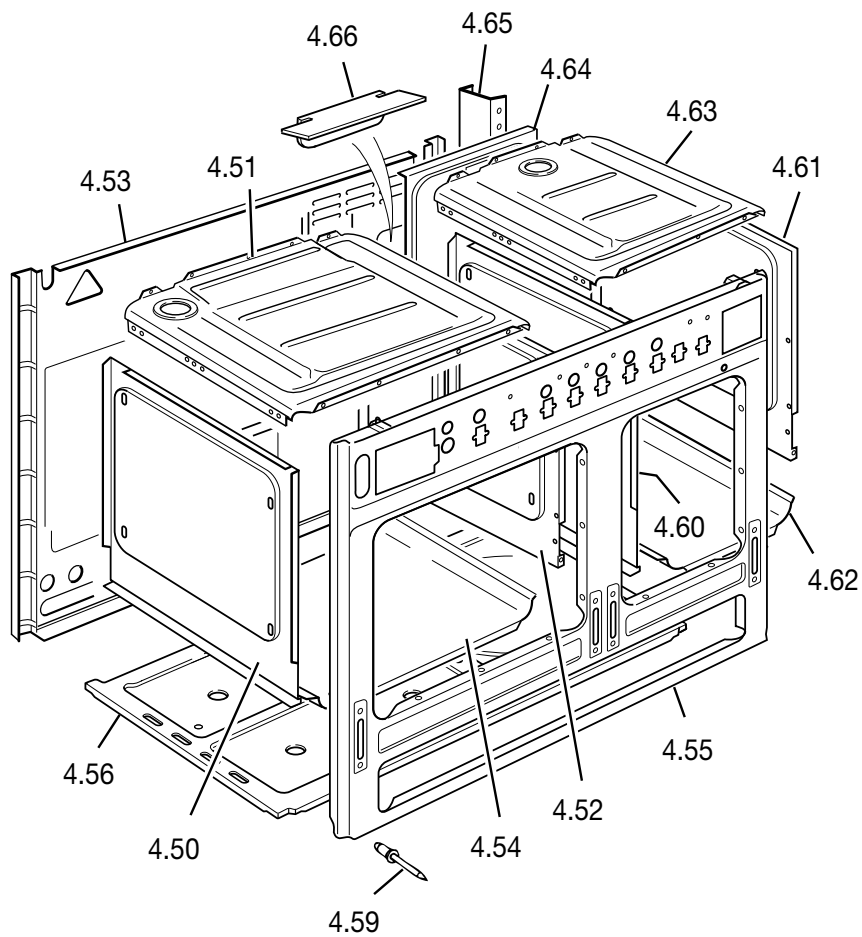
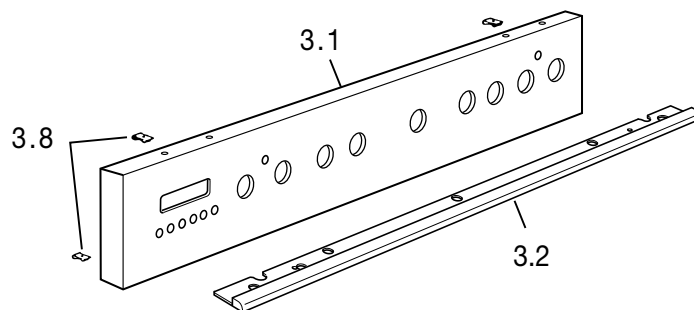
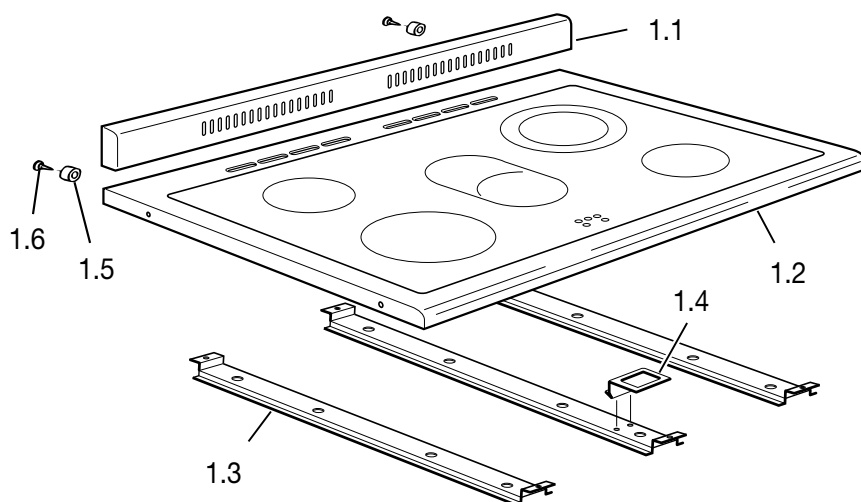
TECHNICAL INFORMATION



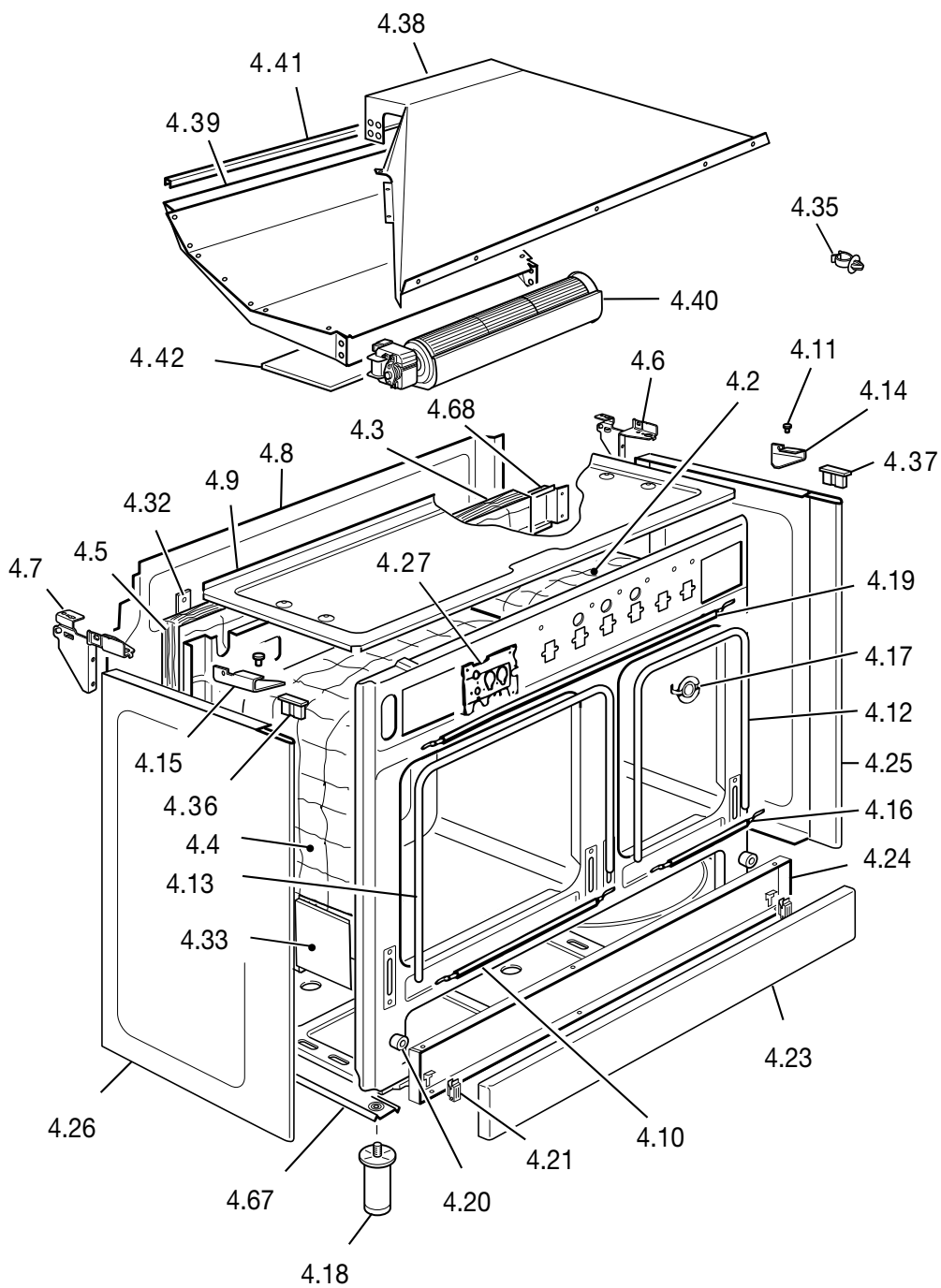
# CR9220

Caple 900 Range 2 Cavity Ceramic

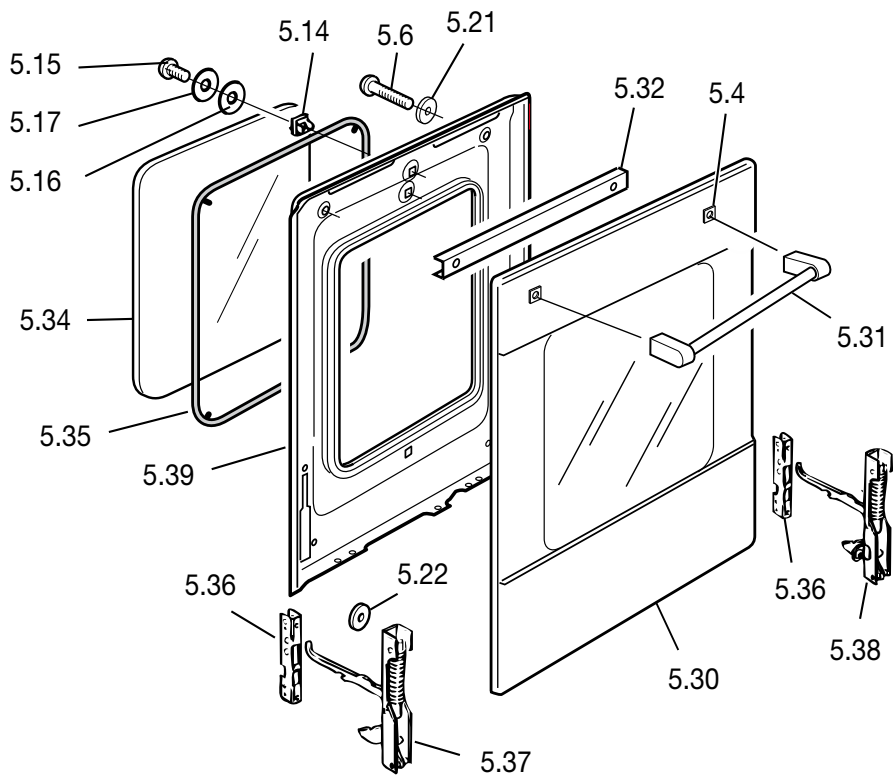
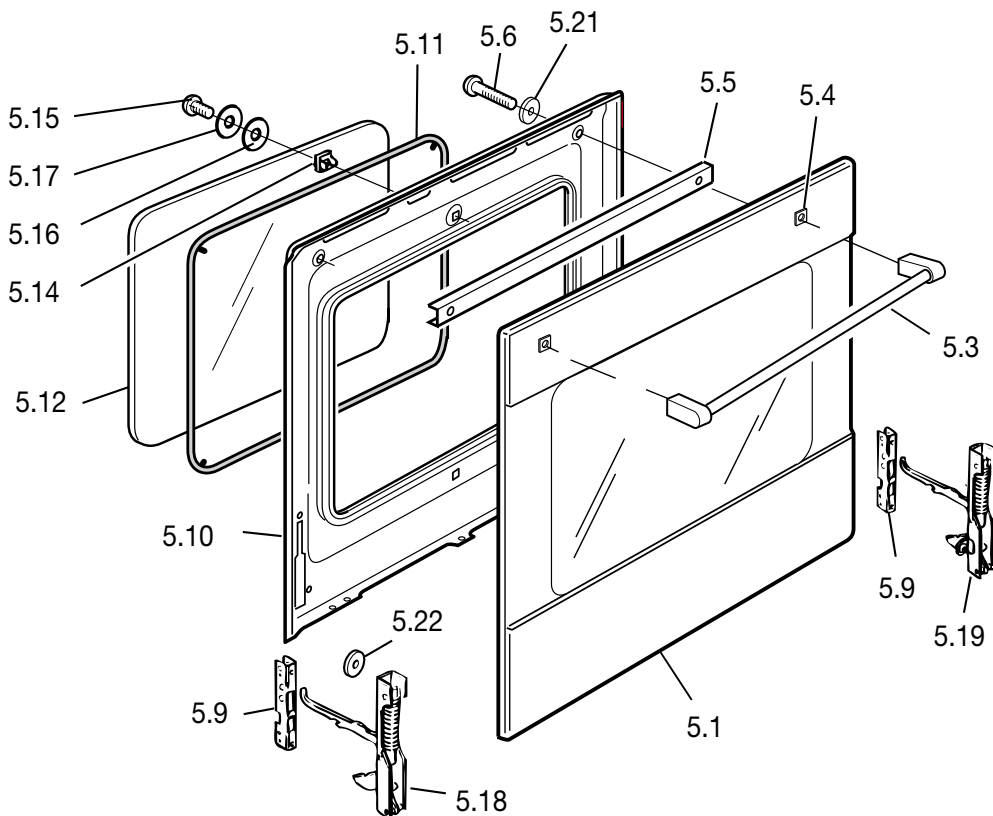




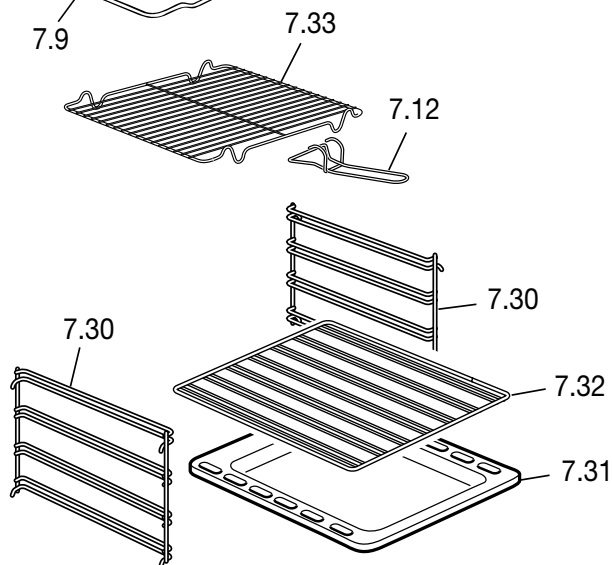
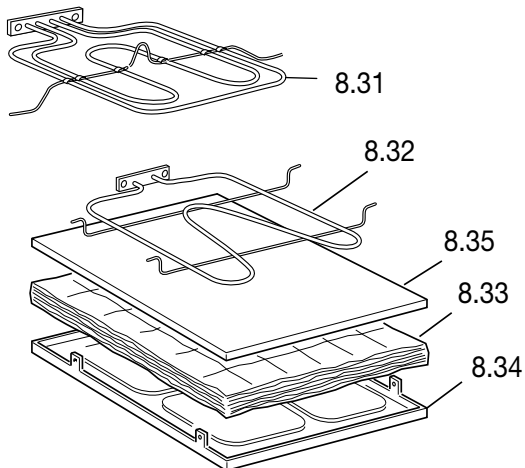
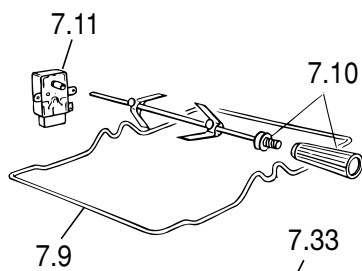
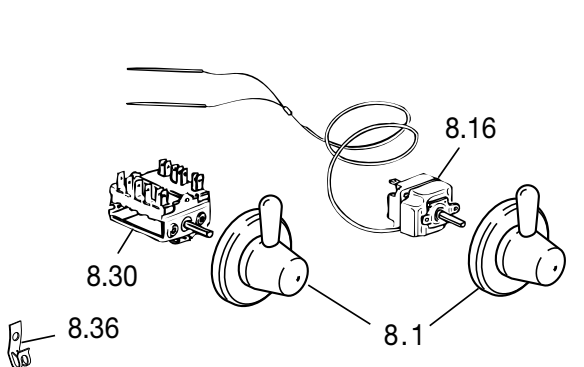
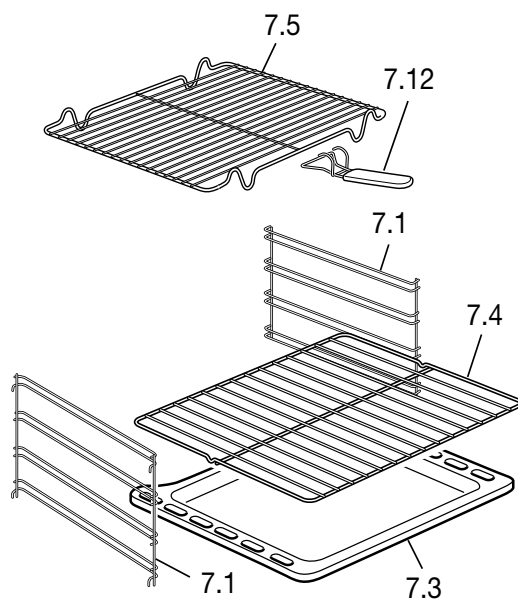
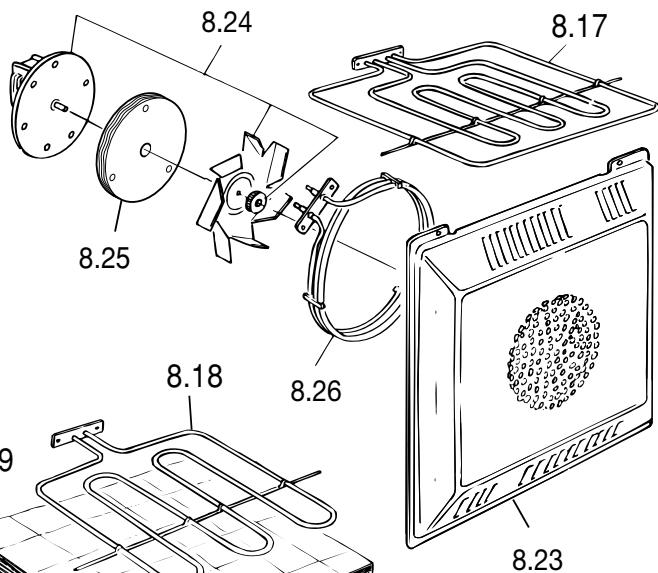
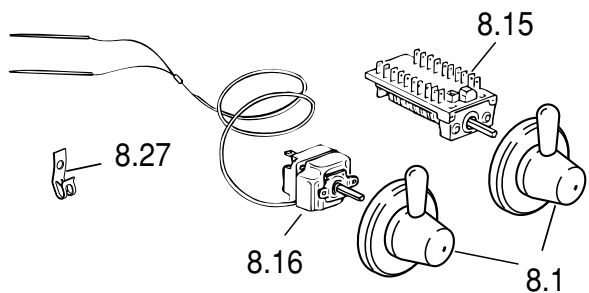
Ref.	Part description	Product code	
		<b>C9T0CP012X</b>	
		Feature	Part code
1.1	Rear trim		103637063
1.2	Glass with frame		355VC9S01
1.3	Hotplate support		51B9S02
1.4	Front control lamp support		094408
1.5	Spacer left/right		040041001
1.6	Stainless steel screw		001057
3.1	Control panel		35N9155UC1
3.2	Control panel trim		103762
3.8	Clips		213007
4.50	Left oven side panel (Left)		45EN6106K
4.51	Left top oven panel		45EN6101K
4.52	Left oven side panel (Right)		45EN6107K
4.53	Body rear panel		45H9S001K
4.54	Left oven floor		47E6102K
4.55	Body front panel		45B9S001K
4.56	Lower element cover		45K96004Z
4.59	Rivet		211012
4.60	Right oven side panel (Left)		45E65104K
4.61	Right oven side panel (Right)		45E65105K
4.62	Right oven floor		47E9S001K
4.63	Right top oven panel		45E9T001K
4.64	Body rear panel		45H9T001K
4.65	Right oven rear spacer channel		4219S02Z
4.66	Right oven lower rear panel spacer		4219S03Z



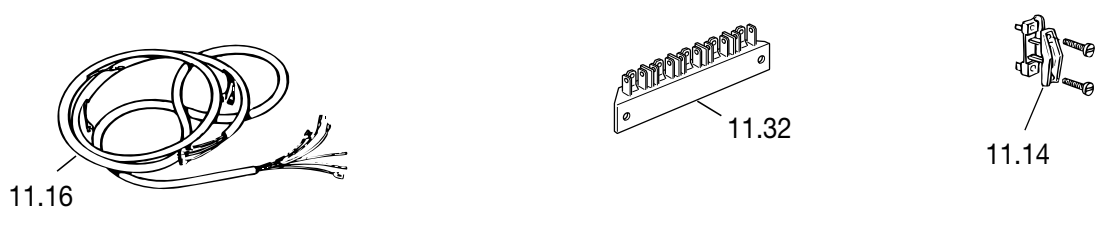
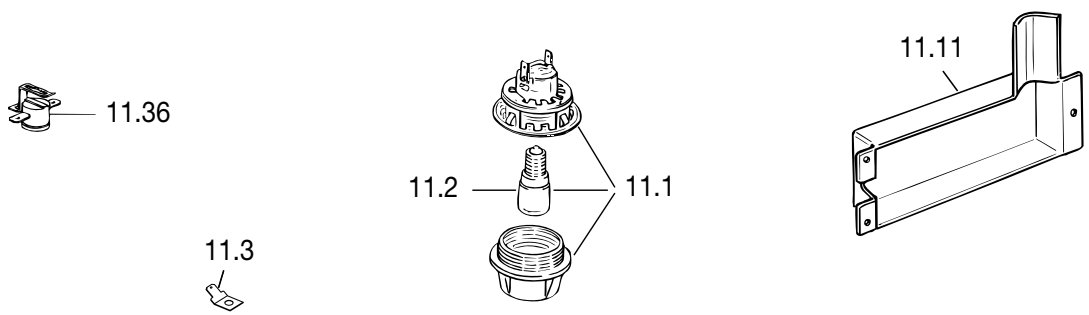
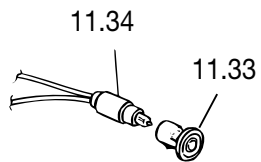
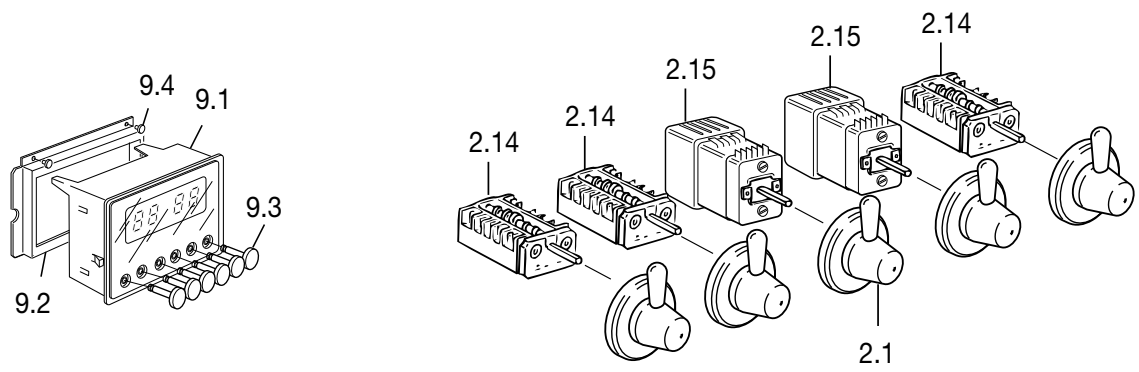
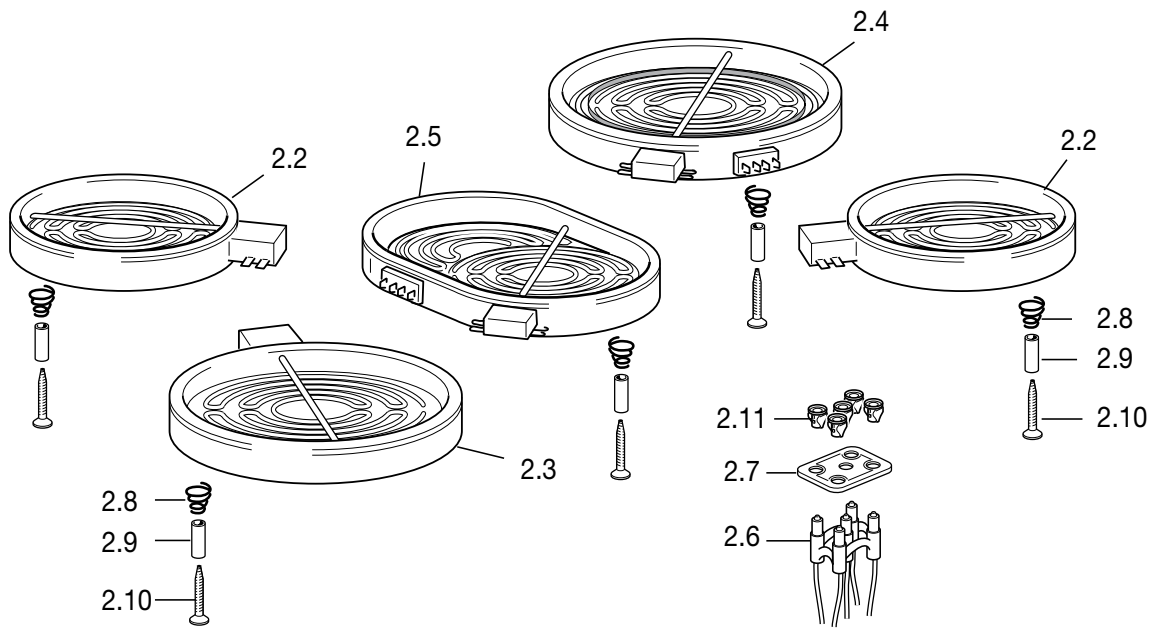
Ref.	Part description	Product code	
		<b>C9T0CP012X</b>	
		Feature	Part code
4.2	Oven insulation		030127.1
4.3	Rear insulation		030128.1
4.4	Oven insulation		030135.1
4.5	Rear insulation		030098.1
4.6	Rear right hinge bracket		094447
4.7	Rear left hinge bracket		094462
4.8	Rear panel		4119T02
4.9	Upper panel		4219S01Z
4.10	Top/bottom seal front left oven down		053074
4.11	Buffer		040011
4.12	Seal right oven		053093
4.13	Seal left oven		053039
4.14	Front right hob support bracket		094333DX
4.15	Front left hob support bracket		094333SX
4.16	Bottom seal front right oven down		053094
4.17	Rotisserie hole plug right oven		035097
4.18	Adjustable leg		103564
4.19	Top seal front ovens up		053095
4.20	Buffer front left/front right		040061
4.21	Door panel hinge		063075
	- left front panel / right front panel		
4.23	Front panel		371V969UCP
4.24	Inside panel		373V9601Y
4.25	Side panel right		36C91D1S
4.26	Side panel left		36C91S1S
4.27	Timer support front up		094136
4.32	Rear insulation support left/right		4219604Z
4.33	Hinge protection plate lateral left/right		58BN601
4.35	Tube retainer		531533
4.36	Left plug (lateral)		081084/NS
4.37	Right plug (lateral)		081083/NS
4.38	Air intake chamber		46A9S02Z
4.39	Air outlet chamber		46A9S01Z
4.40	Tangential fan		079025
4.41	Air outlet gasket		053092
4.42	Anti-vibration rubber		053097
4.67	Leg/base support left/right		51B9604
4.68	Rear insulation support		51B9S03



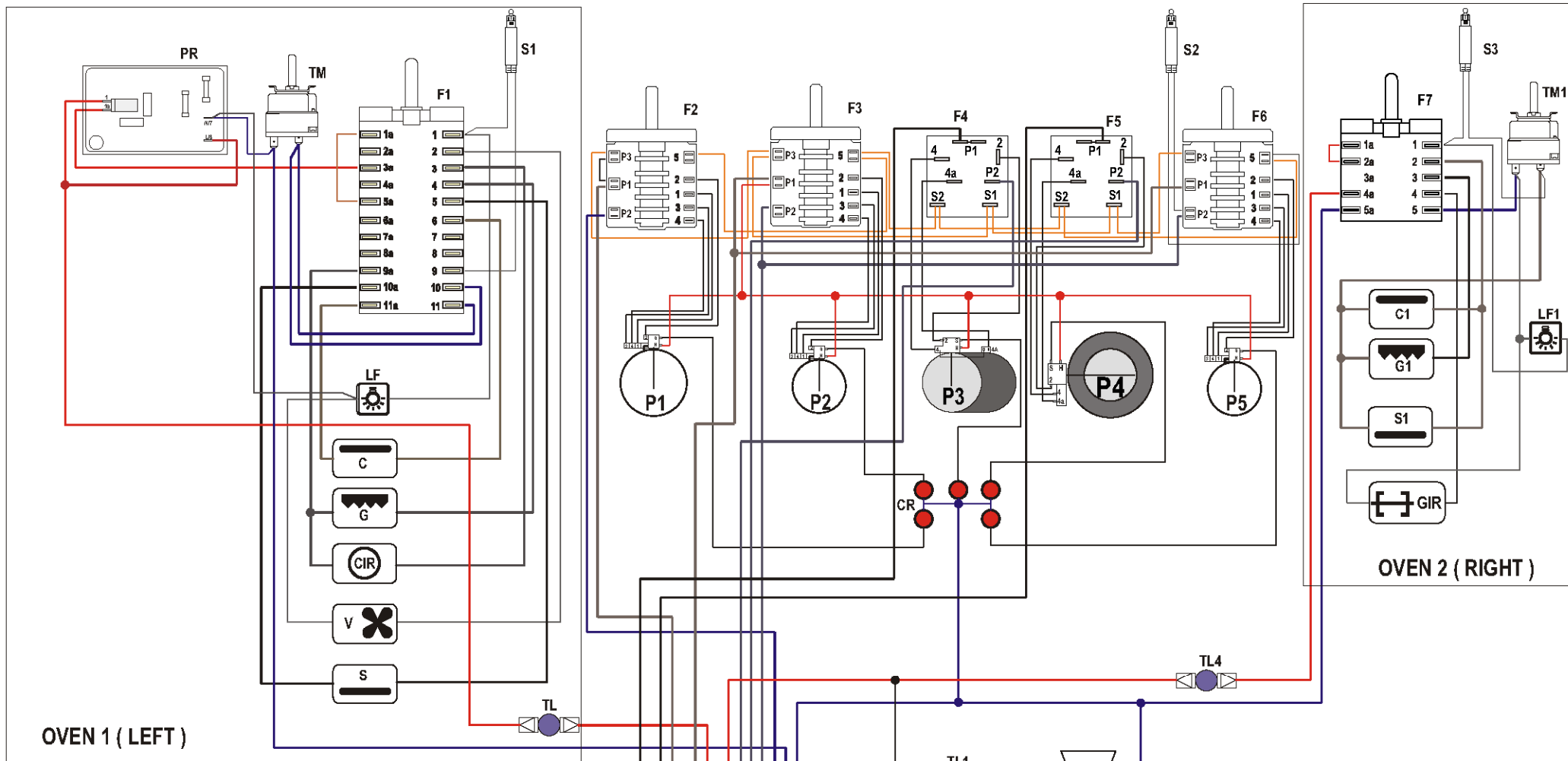
Ref.	Part description	Product code	
		<b>C9T0CD019X</b>	
		Feature	Part code
5.1	Door glass		032912158N
5.3	Door handle		037280009
5.5	Fixing bar		51B9102
5.6	Screw		001056
5.9	Door hinge (female)		063109
5.10	Door panel		373F9104P
5.11	Gasket		053084
5.12	Inner glass		0311000.1T
5.14	Nut		214021
5.15	Screw		001143
5.16	Washer		003035
5.17	Washer		103205.1
5.18	Left door hinge (male)		063059/ZA
5.19	Right door hinge (male)		063058/ZA
5.21	Washer		003030
5.22	Washer R5,7x15		003041
5.23	Screw		001083
5.30	Door glass		0329S2160N
5.31	Door handle		037281009
5.32	Fixing bar		51B9S04
5.34	Inner glass		0312159T
5.35	Gasket		053096
5.36	Door hinge (female)		063109
5.37	Left door hinge (male)		063111
5.38	Right door hinge (male)		063110
5.39	Door panel		373F9S01P



Ref.	Part description	Product code	
		<b>C9T0CP012X</b>	
		Feature	Part code
7.1	Left/right shelf support - Left oven		217291
7.3	Oven tray - Left oven		48B6101K
7.4	Oven shelf - Left oven		217220
7.5	Grill-pan grid - Left oven		217397
7.9	Rotisserie support		217539
7.10	Rotisserie spear		080025+037012
7.11	Rotisserie motor		079014
7.12	Grill-pan grid handle		037144
7.30	Left/right shelf support - Right oven		217307
7.31	Oven tray - Right oven		48B9S001K
7.32	Oven shelf - Right oven		217542
7.33	Grill-pan grid - Right oven		217537
8.1	Knob		2185002294
8.15	Oven selector switch - Left oven		050028.1
8.16	Oven thermostat - Left/right oven		066072
8.17	Top + grill element - Left oven	230V	062103004
8.18	Bottom element - Left oven	230V	062066004
8.19	Bottom element insulation - Left oven		030083.1
8.20	Bottom element support - Left oven		4216102Z
8.23	Inner rear panel - Left oven		47AN601K
8.24	Complete oven fan - Left oven		079008001F
8.25	Fan motor insulation - Left oven		030136.1
8.26	Fan element - Left oven		062057004
8.27	Clip		213015
			213023
8.30	Selector switch - Right oven		050030
8.31	Top + grill element - Right oven		062102004
8.32	Bottom element - Right oven		062096004
8.33	Bottom element insulation - Right oven		030129.1
8.34	Bottom element support - Right oven		4219S04Z
8.35	Bottom element protection - Right oven		4219S05Z
8.36	Clip		213025



Ref.	Part description	Product code	
		<b>C9T0CP012X</b>	
		Feature	Part code
2.1	Knob		2185002294
2.2	Radiant hotplate - rear left, front right	Ø 145 - 1200W	04714230
2.3	Radiant hotplate - front left	Ø 180 - 1700W	04716230
2.4	Double radiant hotplate - rear right	210/120 - 2100/700W	04744230
2.5	Oval radiant hotplate - centre	Ø 140x250 - 1800/1000W	04745230
2.6	Hob hot assembly front centre		073087
2.7	Control lamp plate		1031134
2.8	Spring hob for each hot plate (2 for each hotplate)		035075
2.9	Spacer hob for each hot plate (2 for each hotplate)		085043
2.10	Screw hob for each hot plate (2 for each hotplate)		001111
2.11	Control lamp support		1031121
2.14	Switch pack - rear left, front right, front left		050021/E
2.15	Energy regulator - centre, rear right		050052230
9.1	Electronic timer		074041
9.2	Electronic timer seal		094363
9.3	Button (Black)		103271080
9.4	Protection		040056
11.1	Lamp holder assembly		072003
11.2	Lamp - 15 W		073013001
11.3	Earth plate		094221
11.11	Terminal block cover - rear cooker		103658A
11.14	Cable clamp - rear cooker		052008
11.16	Wiring loom		1131319
	Wires for hotplates		1131300
11.32	Terminal block - rear cooker	40A - 6P	051037
11.33	Control lamp lens - Red		07306202.2
	Control lamp cover - Orange		07306201.2
11.34	Control neon	L = 230	073039.2
11.36	Cut-out thermostat - left oven	160°C	066123
	Cut-in thermostat - left oven / right oven cooling fan	80°C	066145
	Cut-out thermostat - right oven	150°C	066073
-	Instruction booklet		1102224



- L.O. = LEFT OVEN      R.O. = RIGHT OVEN
- |        |                                  |       |                              |
|--------|----------------------------------|-------|------------------------------|
| F1     | L.O. Switch                      | CR    | Residual heat lamps group    |
| TM     | L.O. Thermostat                  | TL1/2 | Cooling fan thermal overload |
| PR     | L.O. Programmer                  | CF    | Cooling fan                  |
| TL     | L.O. Thermal overload            | M     | Terminal block               |
| LF     | L.O. Lamp                        | T     | Earth connection             |
| S1     | L.O. Thermostat pilot lamp       | F7    | R.O. Switch                  |
| C      | L.O. Top element                 | TM1   | R.O. Thermostat              |
| G      | L.O. Grill element               | TL4   | R.O. Thermal overload        |
| CIR    | L.O. Circular element            | S3    | R.O. Thermostat pilot lamp   |
| V      | L.O. Fan                         | LF1   | R.O. Lamp                    |
| S      | L.O. Bottom element              | C1    | R.O. Top element             |
| F2/3/6 | Radiant hotplate commutator      | G1    | R.O. Grill element           |
| F4/5   | Double hotplate energy regulator | S1    | R.O. Bottom element          |
| S2     | Hotplates line pilot lamp        | GIR   | Rotisserie                   |
| P1     | Radiant hotplate 3C 1700W        |       |                              |
| P2/5   | Radiant hotplate 3C 1200W        |       |                              |
| P3     | Double hotplate 2C 1800W         |       |                              |
| P4     | Double hotplate 2C 2100W         |       |                              |

**caple**  
**CR9220**  
 Caple 900 Range 2 Cavity Ceramic