



CR9220

Caple 900 Range 2 Cavity Ceramic

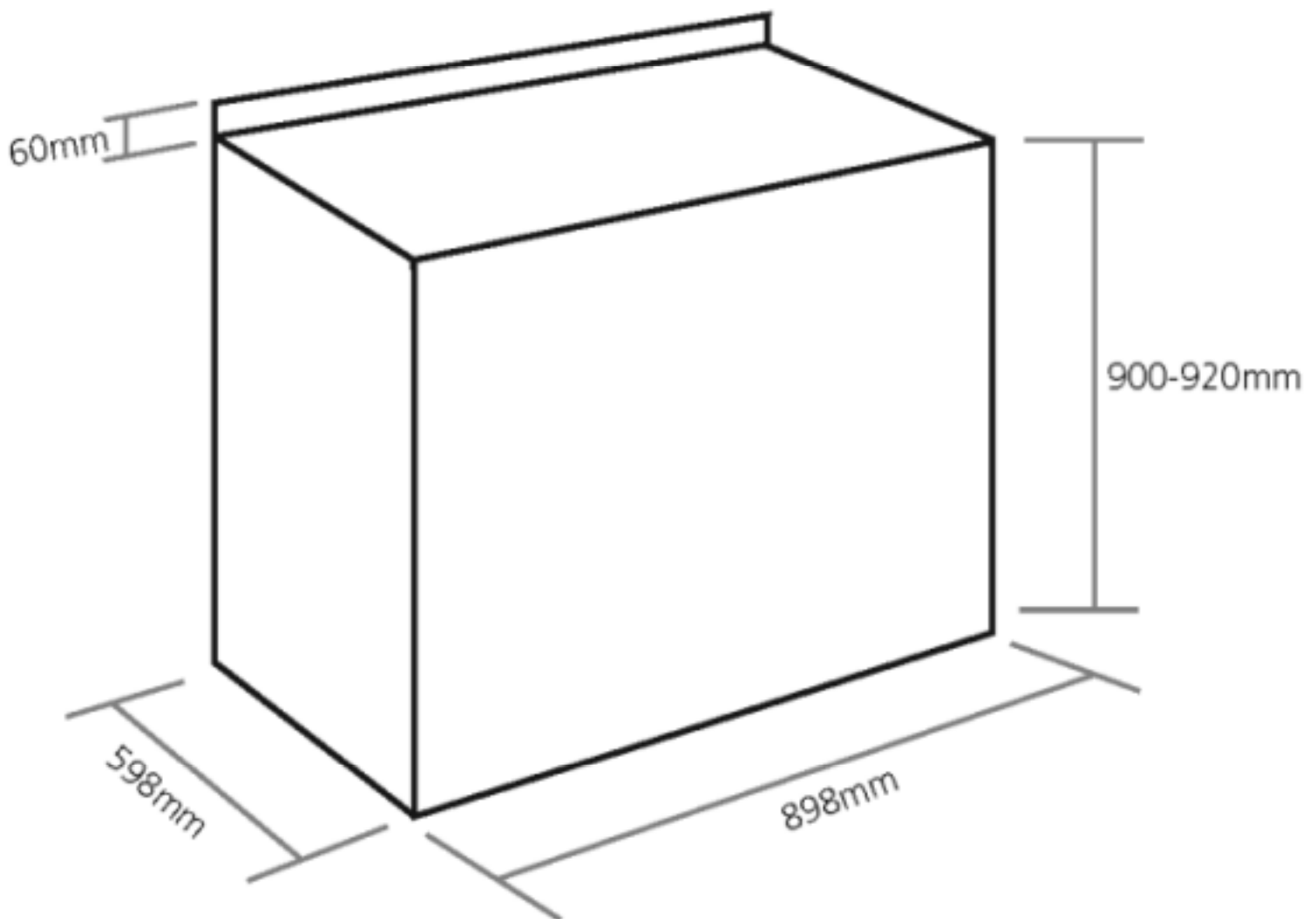


TECHNICAL INFORMATION



CR9220

Caple 900 Range 2 Cavity Ceramic

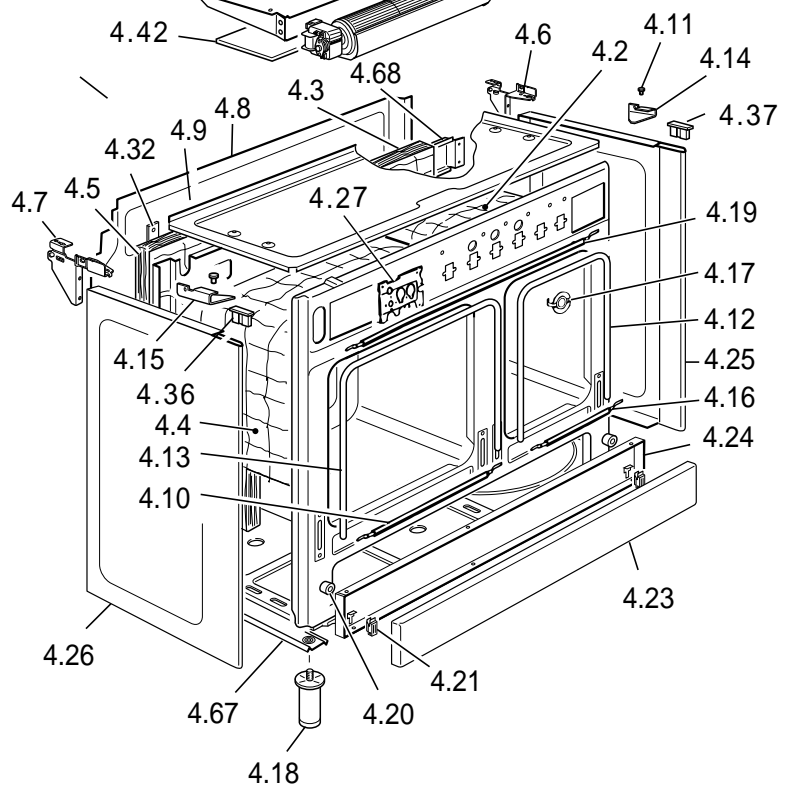
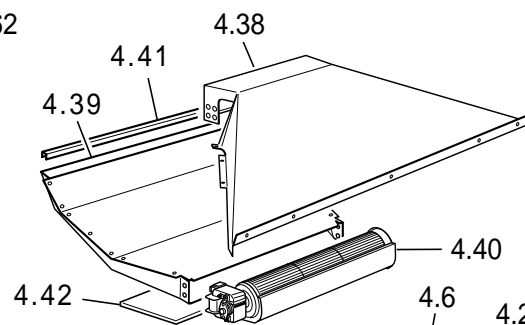
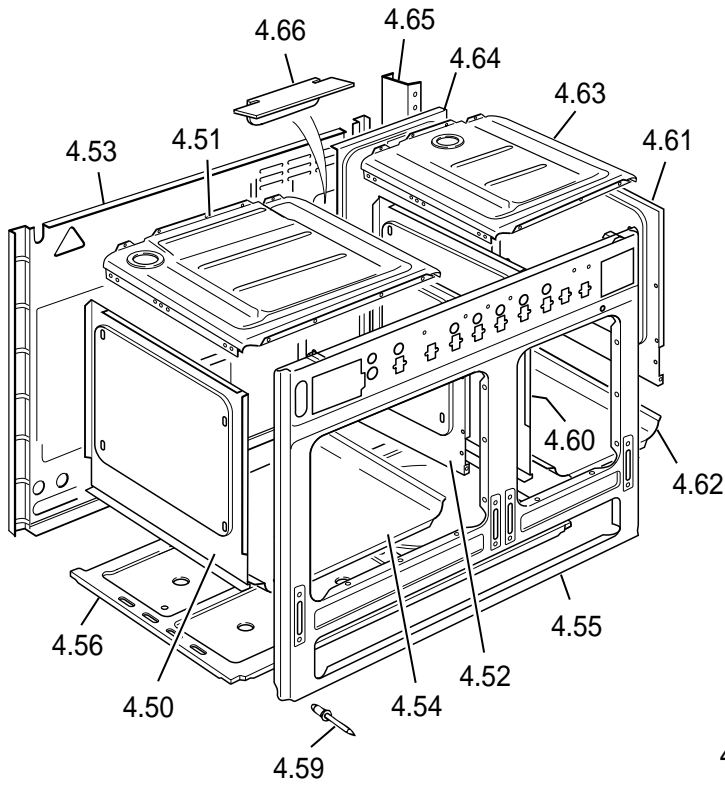
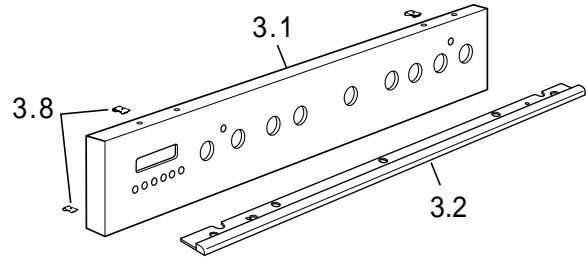
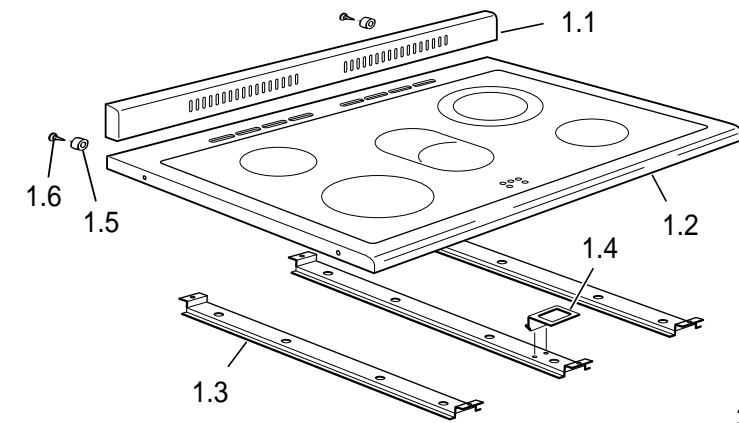


CR 9220/1

C9T0CP006X

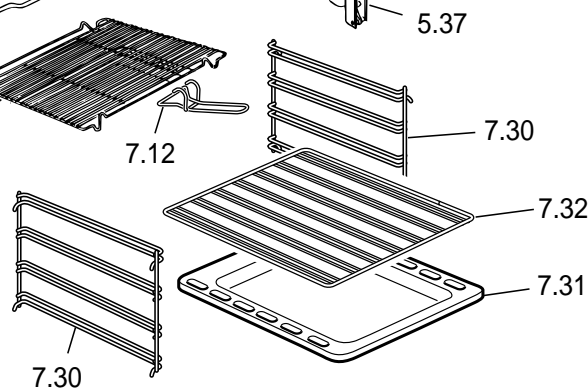
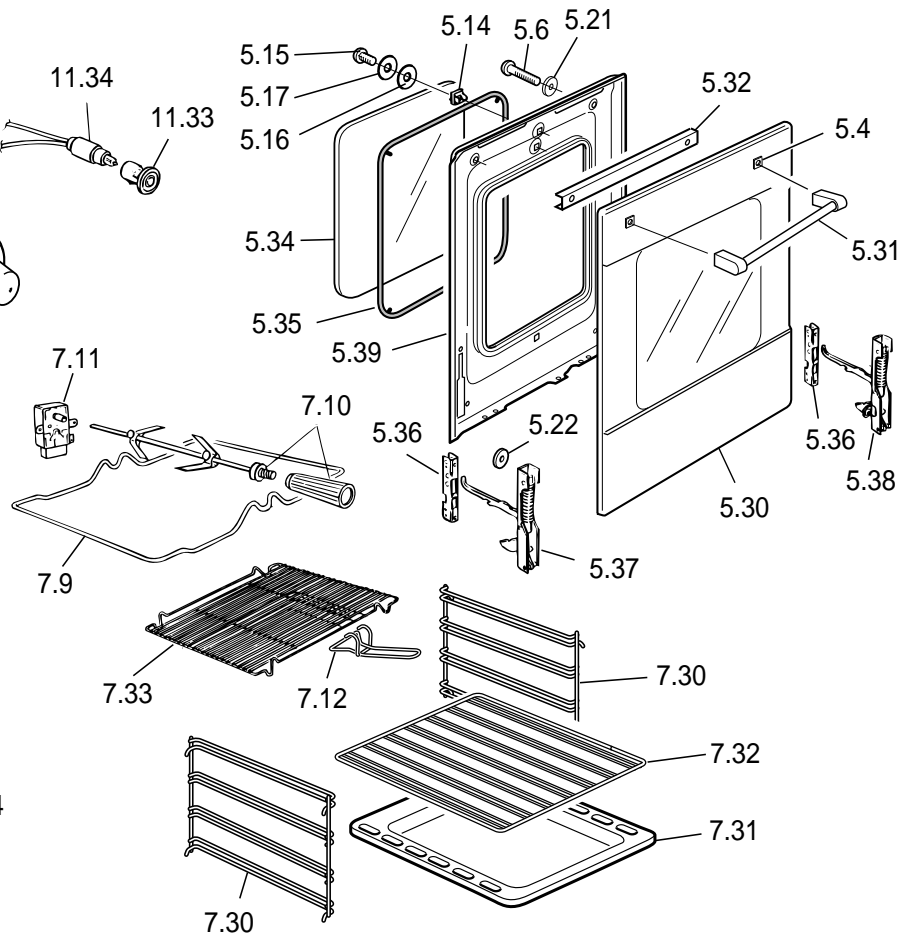
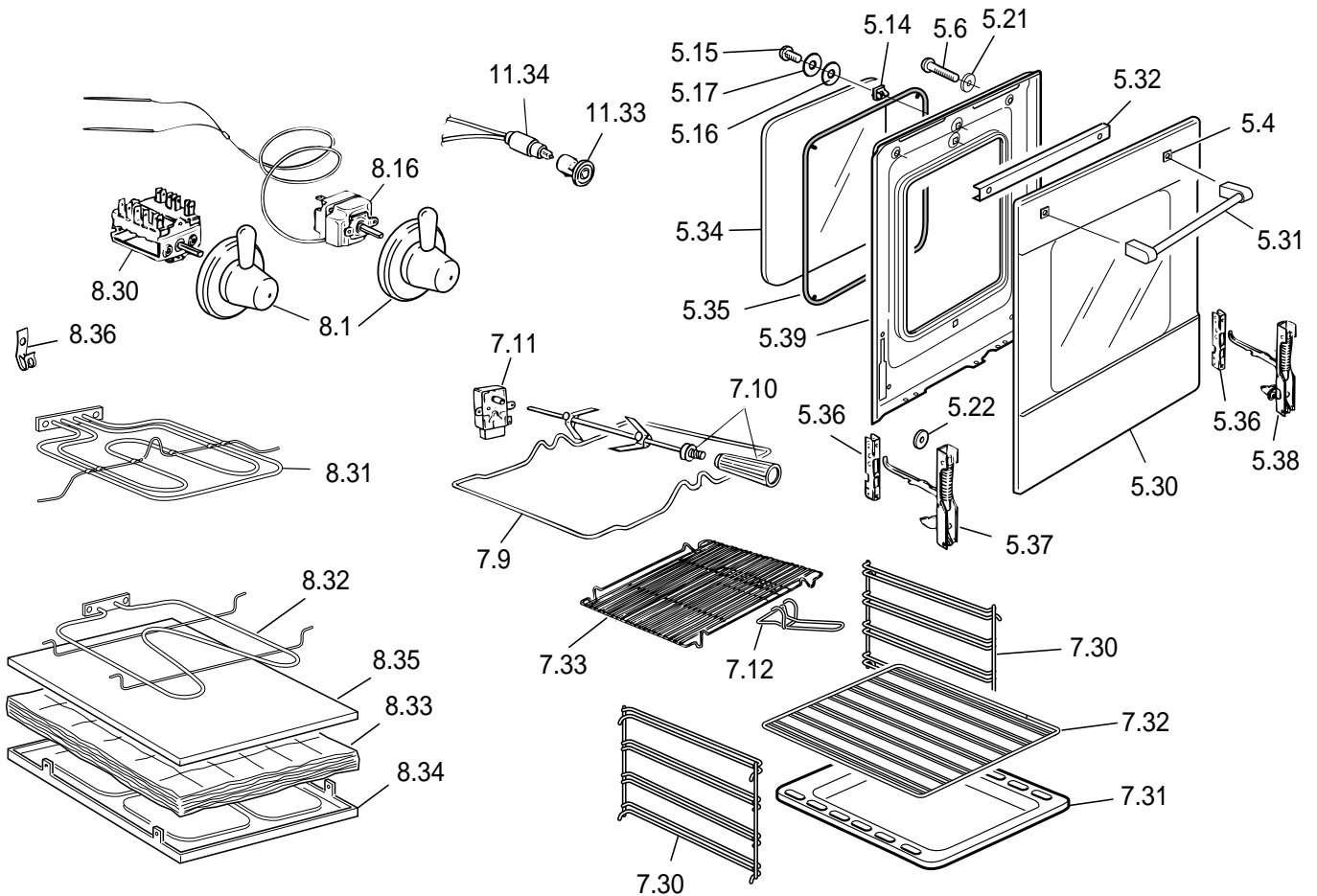
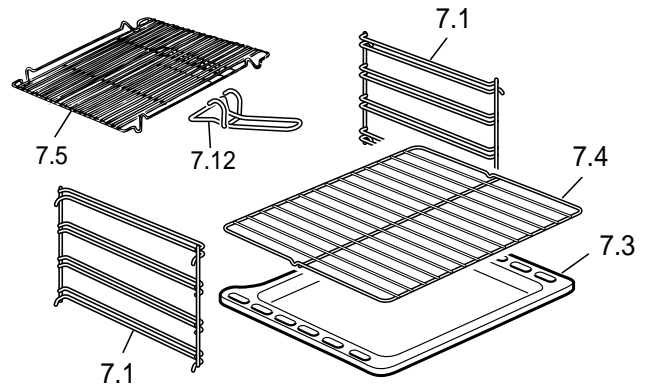
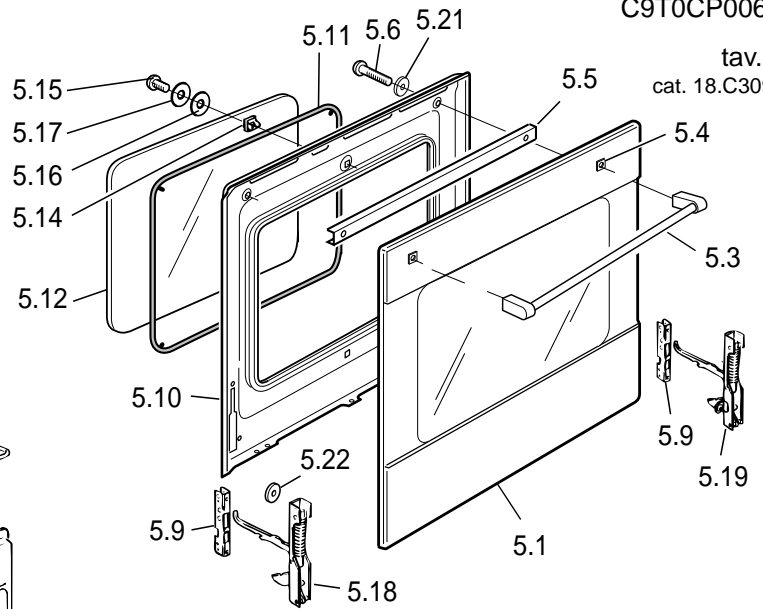
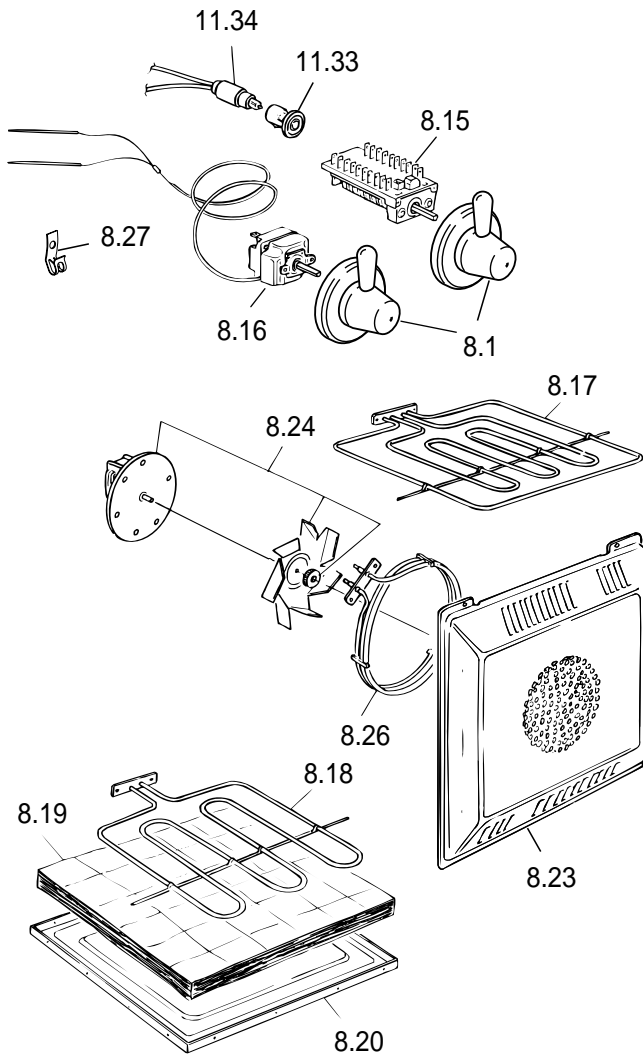
tav. 1

cat. 18.C3092

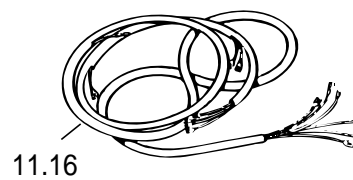
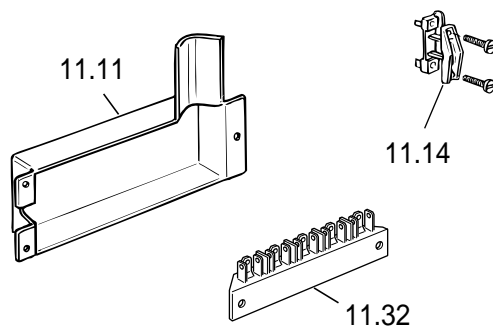
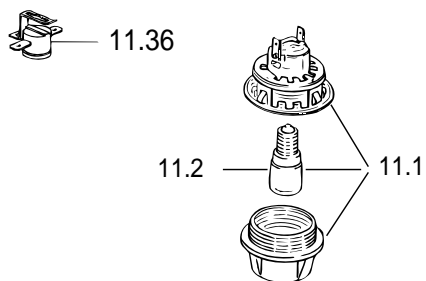
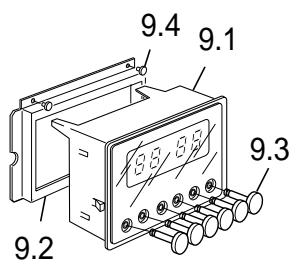
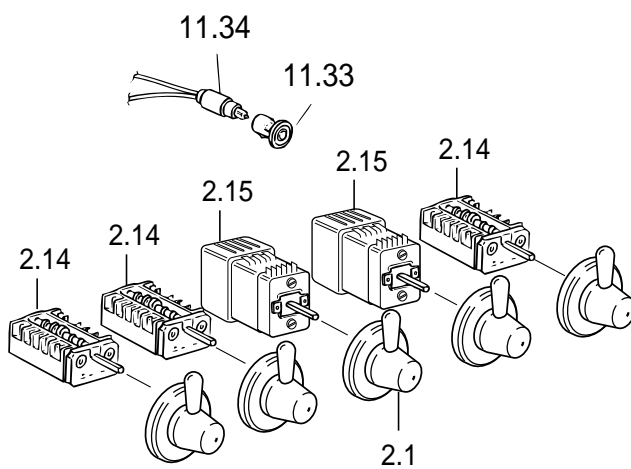
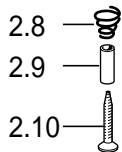
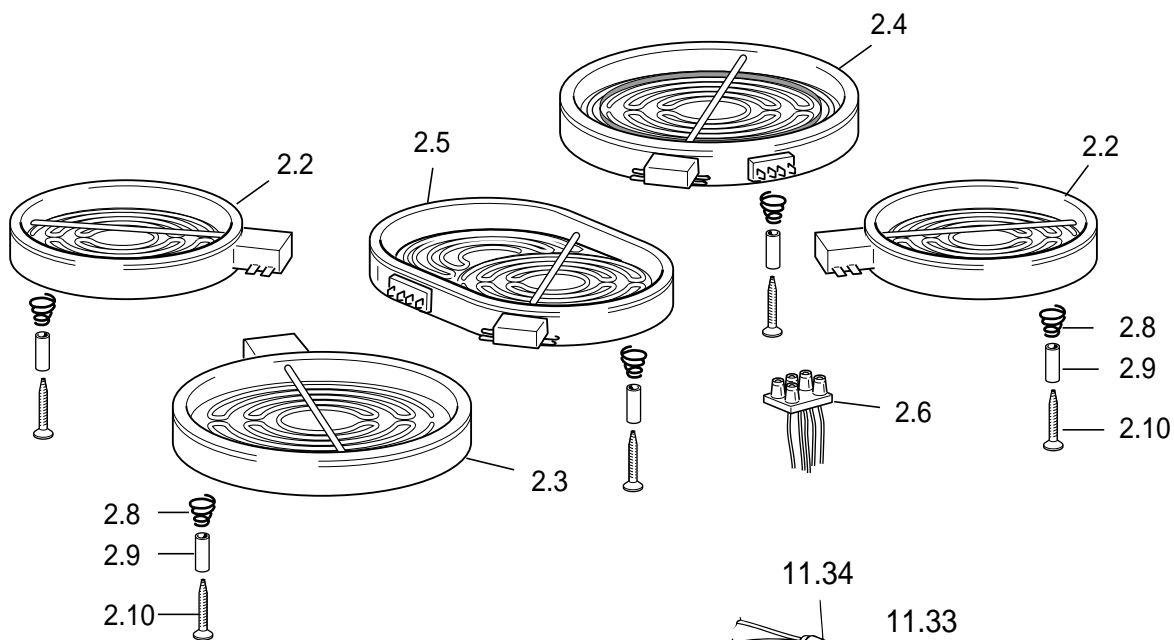


REF.	CODE	DESCRIPTION
1.1	103637063	Rear trim
1.2	355VC9S01	Glass with frame
1.3	51B9S02	Hotplates support
1.4	094408	Control lamp support
1.5	040041001	Plug
1.6	001057	Stainless steel screw
3.1	35C9155SC1	Control panel
3.2	103762	Control panel trim
3.8	213007	Clips
4.2	030127.1	Oven insulation
4.3	030128.1	Rear insulation
4.4	030135.1	Oven insulation
4.5	030098.1	Rear insulation
4.6	094447	Rear right coupler
4.7	094462	Rear left coupler
4.8	4119T02	Rear panel
4.9	4219S01Z	Upper shelter
4.10	053074	Top/bottom seal
4.11	040011	Buffer
4.12	053093	Seal
4.13	053039	Seal
4.14	094333DX	Front right coupler
4.15	094333SX	Front left coupler
4.16	053094	Bottom seal
4.17	035097	Rotisserie hole plug
4.18	103564	Shim
4.19	053095	Top seal
4.20	040061	Buffer
4.21	063075	Hinge
4.23	371V969SCP	Front panel
4.24	373V9601M	Inside panel
4.25	36C91D1S	Side panel right
4.26	36C91S1S	Side panel left
4.27	094136	Bracket
4.32	4219604Z	Rear insulation support
	58BN601	Hinge protection plate
	531533	Tube retainer
4.36	081084/NS	Left stopper
4.37	081083/NS	Right stopper
4.38	46A9S02Z	Air conveyor
4.39	46A9S01Z	Funnel
4.40	079025	Tangential fan
4.41	053092	Funnel gasket
4.42	053097	Vibration-damper

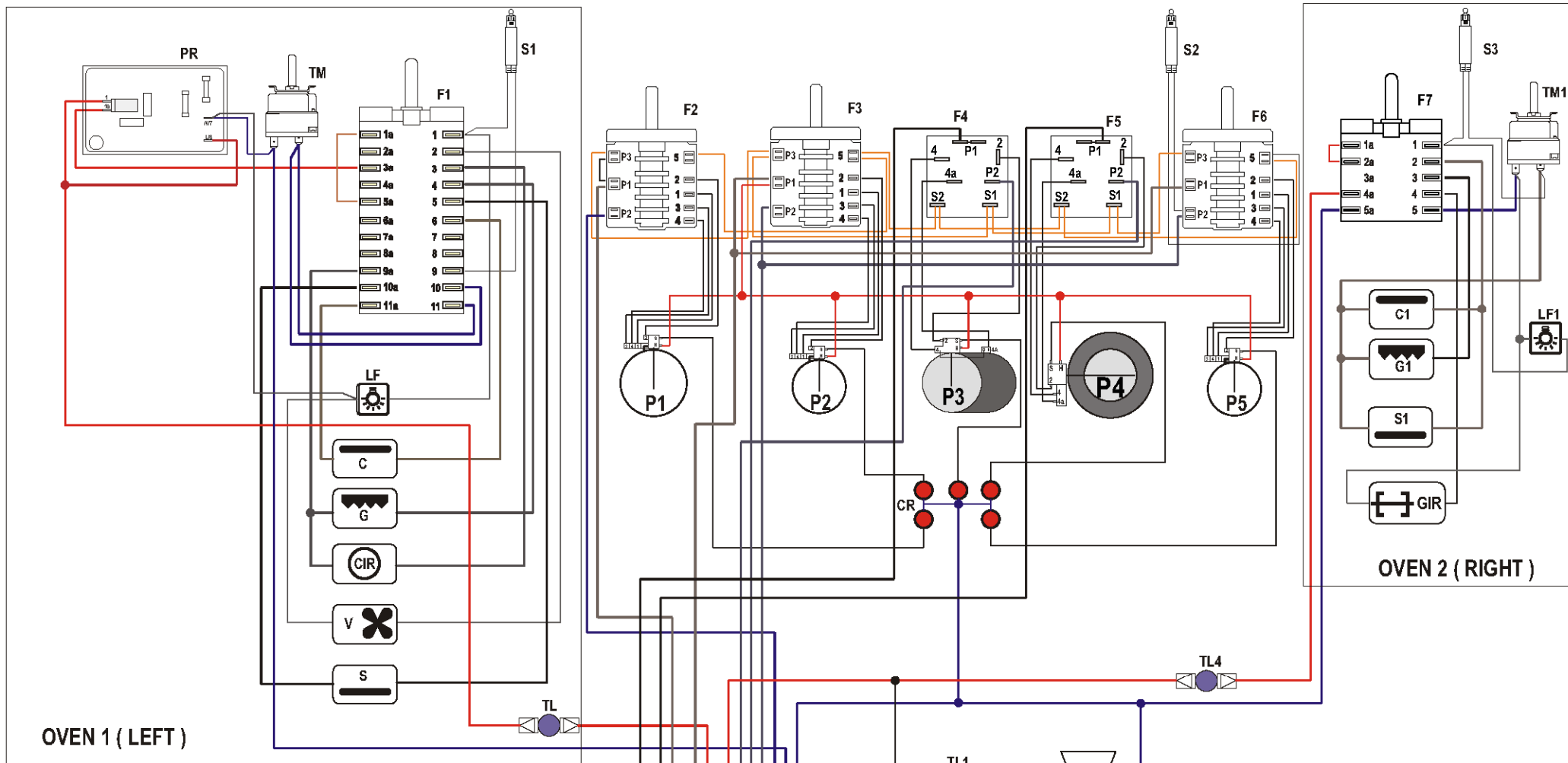
REF.	CODE	DESCRIPTION
4.50	45EN6106K	Oven side panel (Left)
4.51	45EN6101K	Top oven panel
4.52	45EN6107K	Oven side panel (Right)
4.53	45H9S001K	Body rear panel
4.54	47E6102K	Oven floor
4.55	45B9S001K	Body front panel
4.56	45K96004Z	Lower element cover
4.59	211012	Rivet
4.60	45E65104K	Oven side panel (Left)
4.61	45E65105K	Oven side panel (Right)
4.62	47E9S001K	Oven floor
4.63	45E9T001K	Top oven panel
4.64	45H9T001K	Body rear panel
4.65	4219S02Z	Right oven shelter
4.66	4219S03Z	Right oven lower rear panel
4.67	51B9604	Shim support
4.68	51B9S03	Rear insulation support



REF.	CODE	DESCRIPTION
5.1	032912196	Door glass
5.3	037215062	Door handle
5.4	103686.1	Washer
5.5	51B9102	Fixing bar
5.6	001056	Screw
5.9	063109	Door hinge (female)
5.10	373F9104K	Door panel
5.11	053084	Gasket
5.12	0311000.1T	Inner glass
5.14	214021	Nut
5.15	001143	Screw
5.16	003035	Washer
5.17	103205	Washer
5.18	063059/ZA	Left door hinge (male)
5.19	063058/ZA	Right door hinge (male)
5.21	003030	Washer
5.22	003041	Washer R 5,7x15
5.30	0329T2197	Door glass
5.31	037216062	Door handle
5.32	51B9S04	Fixing bar
5.34	0312159T	Inner glass
5.35	053096	Gasket
5.36	063109	Door hinge (female)
5.37	063111	Left door hinge (male)
5.38	063110	Right door hinge (male)
5.39	373F9S01K	Door panel
7.1	217291	Shelf support
7.3	48B6101K	Oven tray
7.4	217220	Oven shelf
7.5	217397	Grill-pan grid
7.9	217539	Rotisserie support
7.10	080025+037012	Rotisserie spear
7.11	079014	Rotisserie motor
7.12	037144	Grill-pan grid handle
7.30	217307	Shelf support
7.31	48B9S001K	Oven tray
7.32	217542	Oven shelf
7.33	217537	Grill-pan grid
8.1	2185002294	Knob
8.15	050028.1	Oven switch
8.16	066072	Oven thermostat
8.17	062103004	Top + grill element - 230V
8.18	062066004	Bottom element - 230V
8.19	030083.1	Bottom element insulation
8.20	4216102Z	Bottom element support
8.23	47AN601K	Fan diffuser
8.24	079008001F	Complete oven fan - 220/240V
	030136.1	Fan motor insulation
8.26	062057004	Fan element
8.27	213015	Clip
=	213023	Clip
8.30	050030	Oven switch
8.31	062102004	Top + grill element
8.32	062096004	Bottom element
8.33	030129.1	Bottom element insulation
8.34	4219S04Z	Bottom element support
8.35	4219S05Z	Bottom element protection
8.36	213025	Clip
11.33	07306201.2	Control lamp cover - Orange
=	07306202.2	Control lamp cover - Red
11.34	073039.2	Control lamp L=270



REF.	CODE	DESCRIPTION
2.1	2185002294	Knob
2.2	04714230	Radiant hotplate - Ø 145 - 1200W
2.3	04716230	Radiant hotplate - Ø 180 - 1700W
2.4	04744230	Double radiant hotplate - 210/120 - 2100/700W
2.5	04745230	Oval radiant hotplate - Ø 140x250 - 1800/1000W
2.6	073063	Control lamp
2.8	035075	Spring
2.9	085043	Spacer
2.10	001111	Screw
2.14	050021/E	Switch
2.15	050052230	Energy regulator
9.1	074041	Electronic timer
9.2	094363	Electronic timer seal
9.3	103271080	Button (Black)
9.4	040056	Protection
11.1	072003	Lamp holder
11.2	073013001	Lamp
	094221	Earth plate
11.11	103658A	Terminal block protection
11.14	052008	Wire fastener
11.16	1131319	Wiring
	1131300	Wires for hotplates
11.32	051037	Terminal block 40A - 6P
11.33	07306202.2	Control lamp cover - Red
=	07306201.2	Control lamp cover - Orange
11.34	073039.2	Control lamp L=230
11.36	066123	Cut-off thermostat 160°
=	066145	Cut-off thermostat 80°
=	066073	Cut-off thermostat 150°
-	1102224	Instruction booklet



- L.O. = LEFT OVEN R.O. = RIGHT OVEN
- | | | | |
|--------|----------------------------------|-------|------------------------------|
| F1 | L.O. Switch | CR | Residual heat lamps group |
| TM | L.O. Thermostat | TL1/2 | Cooling fan thermal overload |
| PR | L.O. Programmer | CF | Cooling fan |
| TL | L.O. Thermal overload | M | Terminal block |
| LF | L.O. Lamp | T | Earth connection |
| S1 | L.O. Thermostat pilot lamp | F7 | R.O. Switch |
| C | L.O. Top element | TM1 | R.O. Thermostat |
| G | L.O. Grill element | TL4 | R.O. Thermal overload |
| CIR | L.O. Circular element | S3 | R.O. Thermostat pilot lamp |
| V | L.O. Fan | LF1 | R.O. Lamp |
| S | L.O. Bottom element | C1 | R.O. Top element |
| F2/3/6 | Radiant hotplate commutator | G1 | R.O. Grill element |
| F4/5 | Double hotplate energy regulator | S1 | R.O. Bottom element |
| S2 | Hotplates line pilot lamp | GIR | Rotisserie |
| P1 | Radiant hotplate 3C 1700W | | |
| P2/5 | Radiant hotplate 3C 1200W | | |
| P3 | Double hotplate 2C 1800W | | |
| P4 | Double hotplate 2C 2100W | | |

caple
CR9220
 Caple 900 Range 2 Cavity Ceramic