



Product code:

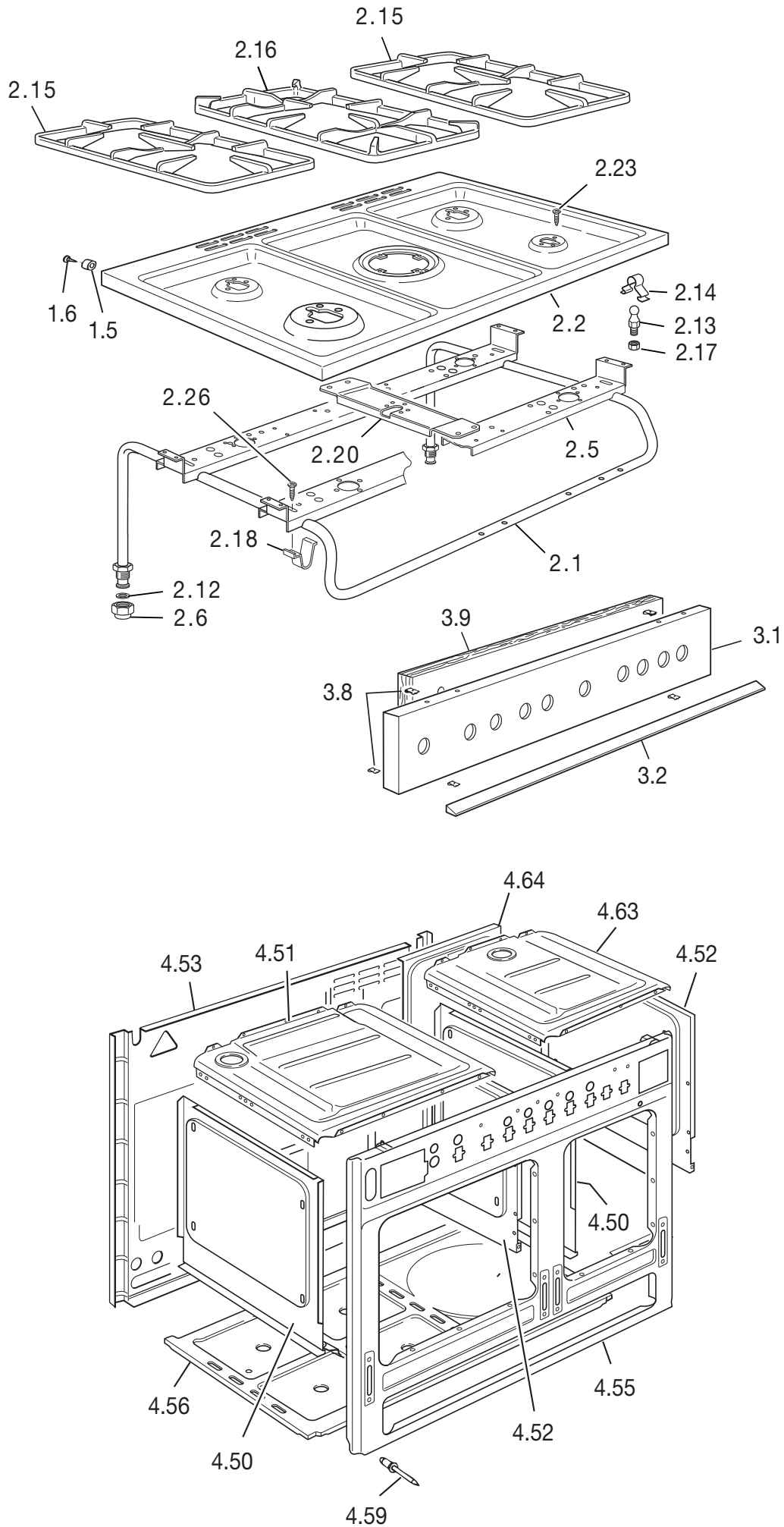
C9T0CP104X

Product: **Cooker**

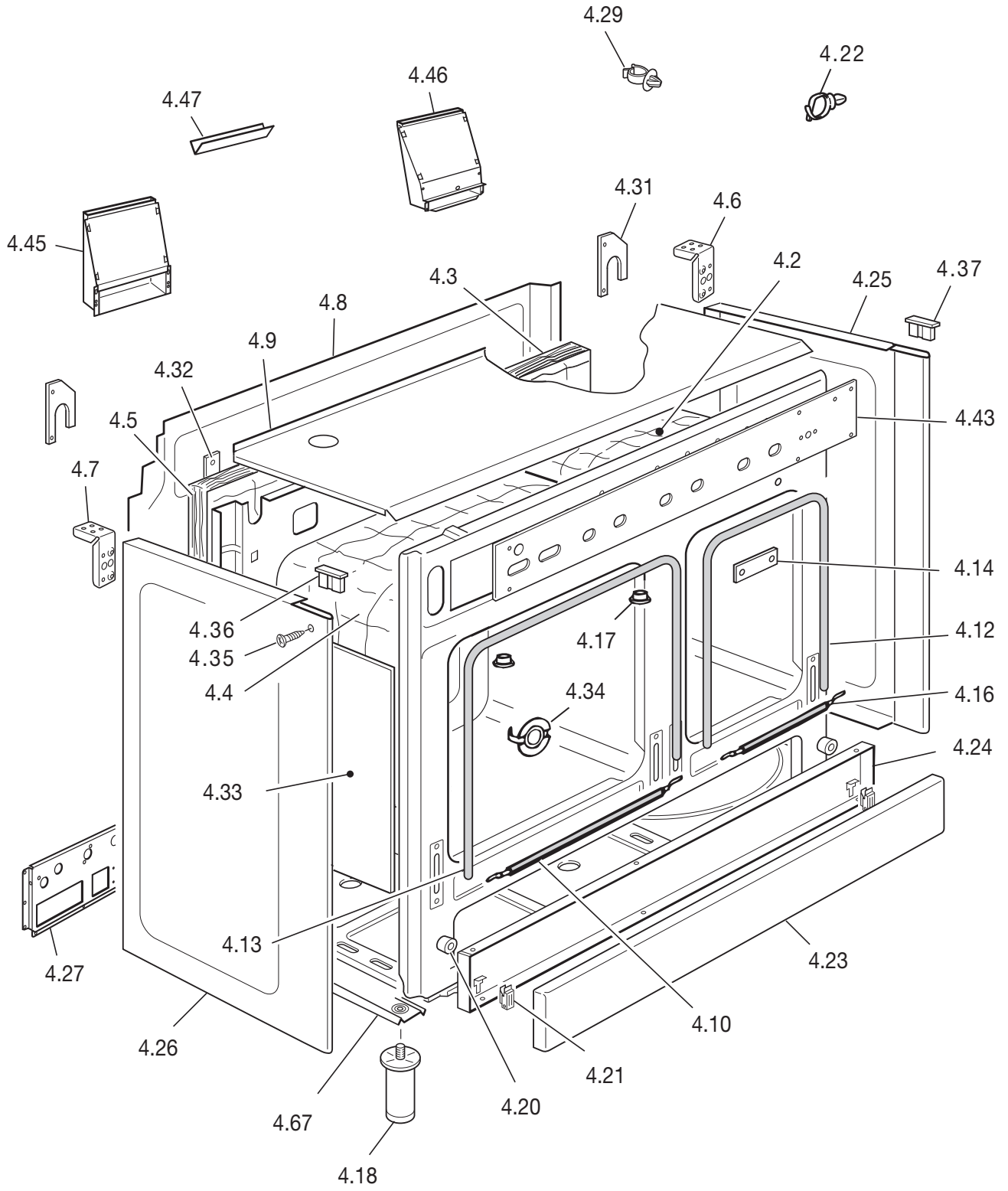
Model: **CR 9218**

Product code	Serial No.	Product remark	Issue No.	Issue Date
C9T0CP104X			18.C6329	May 2013

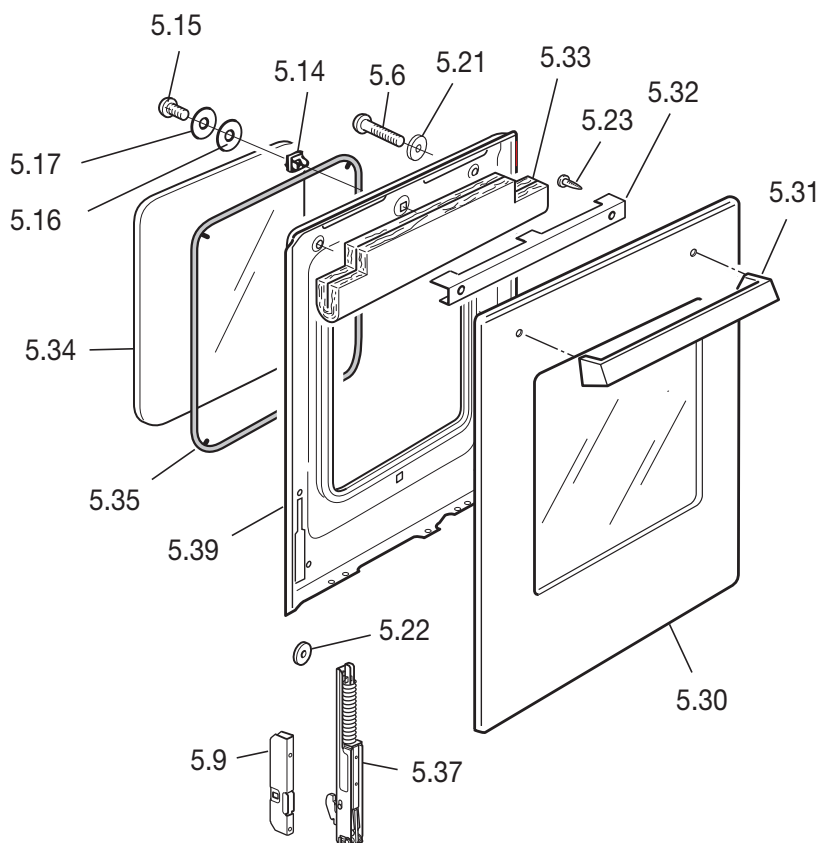
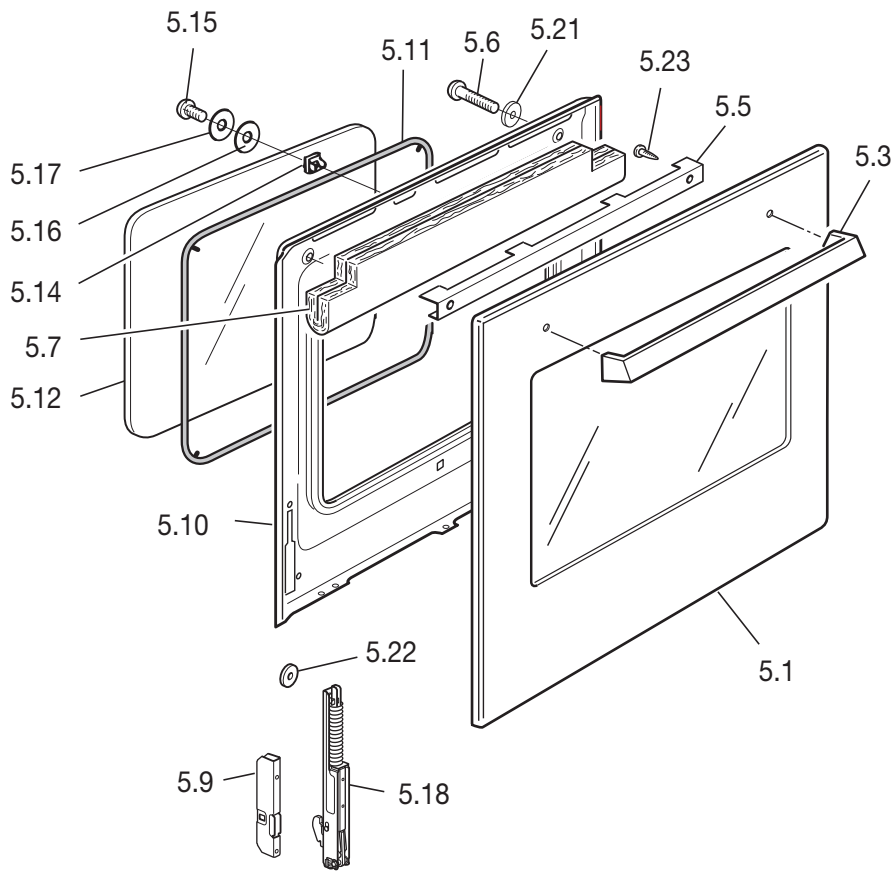
Key part information	
A	Auxiliary burner
SR	Semirapid burner
R	Rapid burner
TR	Triple ring burner



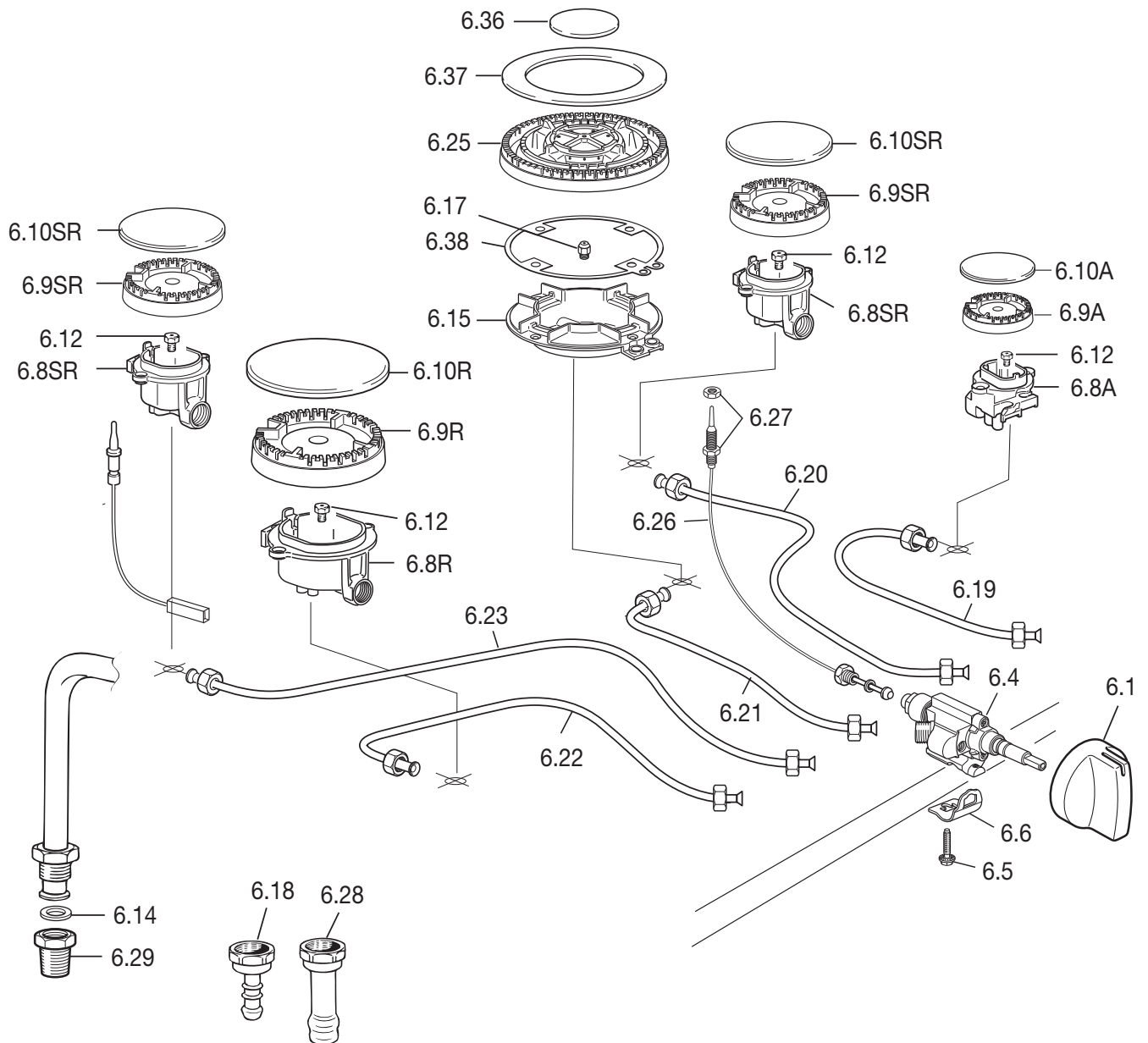
Ref.	Part description	Product code	
		C9T0CP104X	
		Feature	Part code
1.5	Plug		040041001
1.6	Stainless steel screw		001007
2.1	Manifold		3429T50003
2.2	Cooktop		3319S504S
2.5	Burners support		51B9S01
2.6	Inlet pipe plug		027015
2.12	Gasket		053024.1
2.13	Pin		103615
2.14	Spring		035100
2.15	Pan-support		217566
2.16	Central pan-support		217639
2.17	Nut		214062
2.18	Fixing plate		094793
2.20	Cross-piece		51B9S05
2.23	Screw		001234.1
2.26	Screw		001167
3.1	Control panel		35N9182LCP
3.2	Control panel trim		103760
3.8	Clips		213007
3.9	Control panel insulation		030208.1
4.50	Oven side panel (Left)		45EN6106G
4.51	Top oven panel		45EN6101G
4.52	Oven side panel (Right)		45EN6107G
4.53	Body rear panel		45H9T007G
4.55	Body front panel		45B9S011G
4.56	Lower element cover		45K96004Z
4.59	Rivet		211012
4.63	Top oven panel		45E36T01G
4.64	Body rear panel		45H9T006G



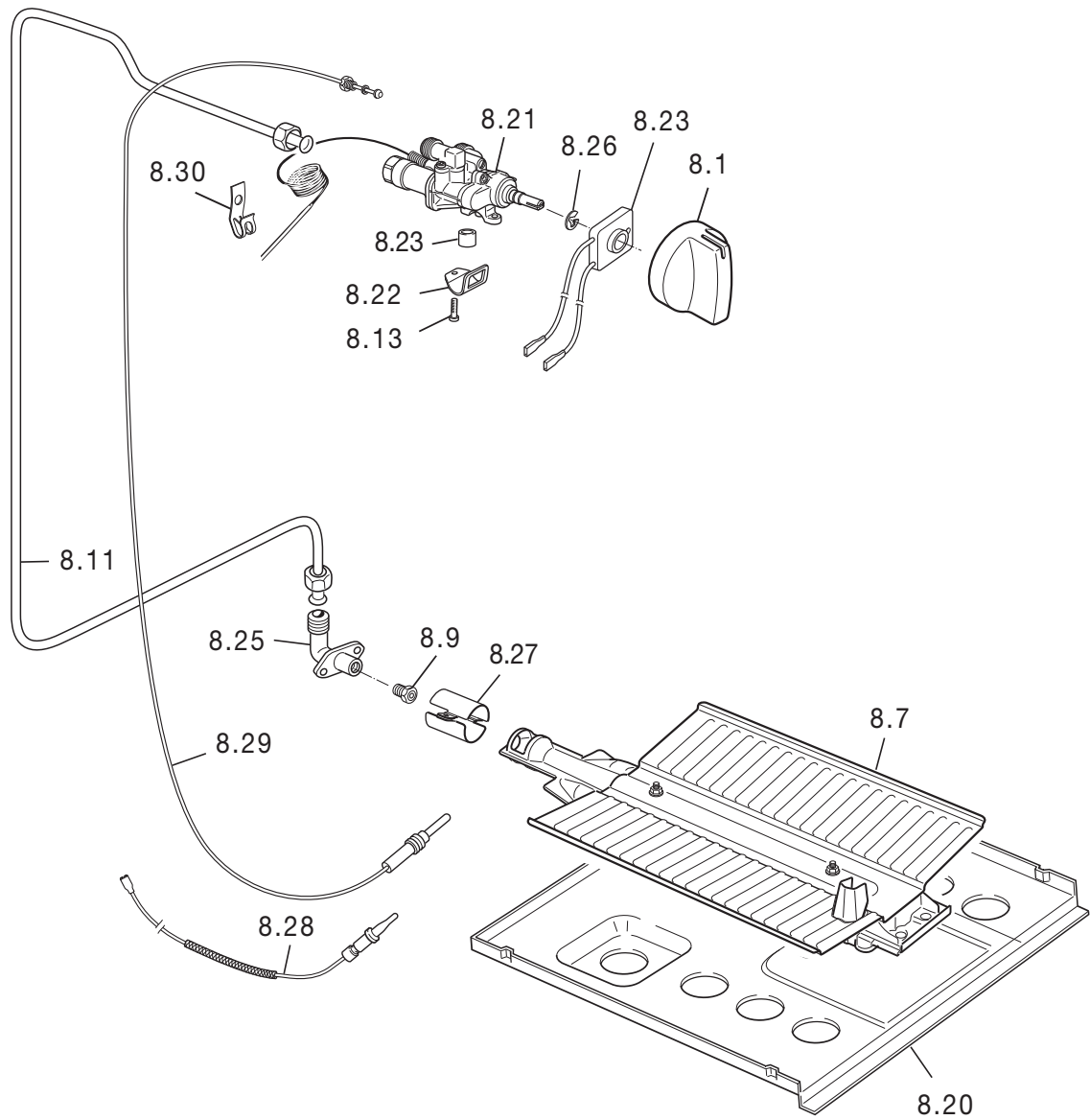
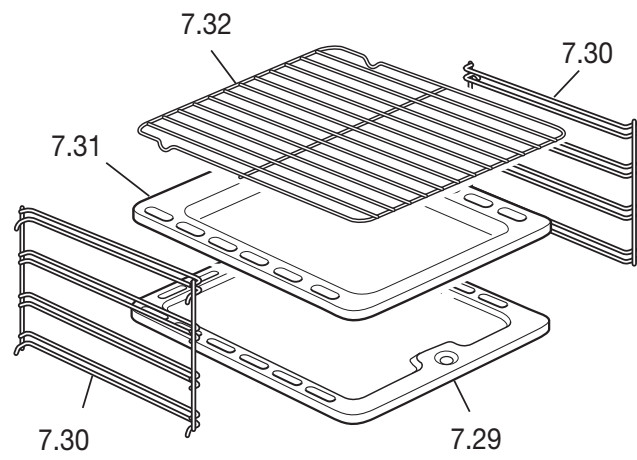
Ref.	Part description	Product code	
		C9T0CP104X	
		Feature	Part code
4.2	Oven insulation		030257
4.3	Rear insulation		030259
4.4	Oven insulation		030256.1
4.5	Rear insulation		030085.1
4.6	Rear right hinge bracket		094417DX
4.7	Rear left hinge bracket		094417SX
4.8	Rear panel		4119T02
4.9	Upper panel		4219S06Z
4.10	Top/bottom seal front left oven down		053074
4.12	Seal right oven		053093
4.13	Seal left oven		053039
4.14	Element plug		094798
4.16	Bottom seal front right oven down		053094
4.17	Sleeve		085044
4.18	Adjustable leg		103564
4.20	Buffer front left/front right		040061
4.21	Door panel hinge		063075
4.22	Cable support		103672
4.23	Front panel		371V969LCP
4.24	Inside panel		373V9601A
4.25	Side panel right		36C91D1H
4.26	Side panel left		36C91S1H
4.27	Right oven support		4213601Z
4.29	Tube retainer		531533
4.31	Bracket rear left / rear right		094412
4.32	Rear insulation support left/right		4219604Z
4.33	Hinge protection		4216108Z
4.34	Rotisserie hole plug		035097
4.35	Screw 7Px16		001130
4.36	Left plug (lateral)		081084080
4.37	Right plug (lateral)		081083080
4.43	Control panel protection		1031586
4.45	Left funnel		46A9S09Z
4.46	Right funnel		46A9T03Z
4.47	Drip flap		4119T01



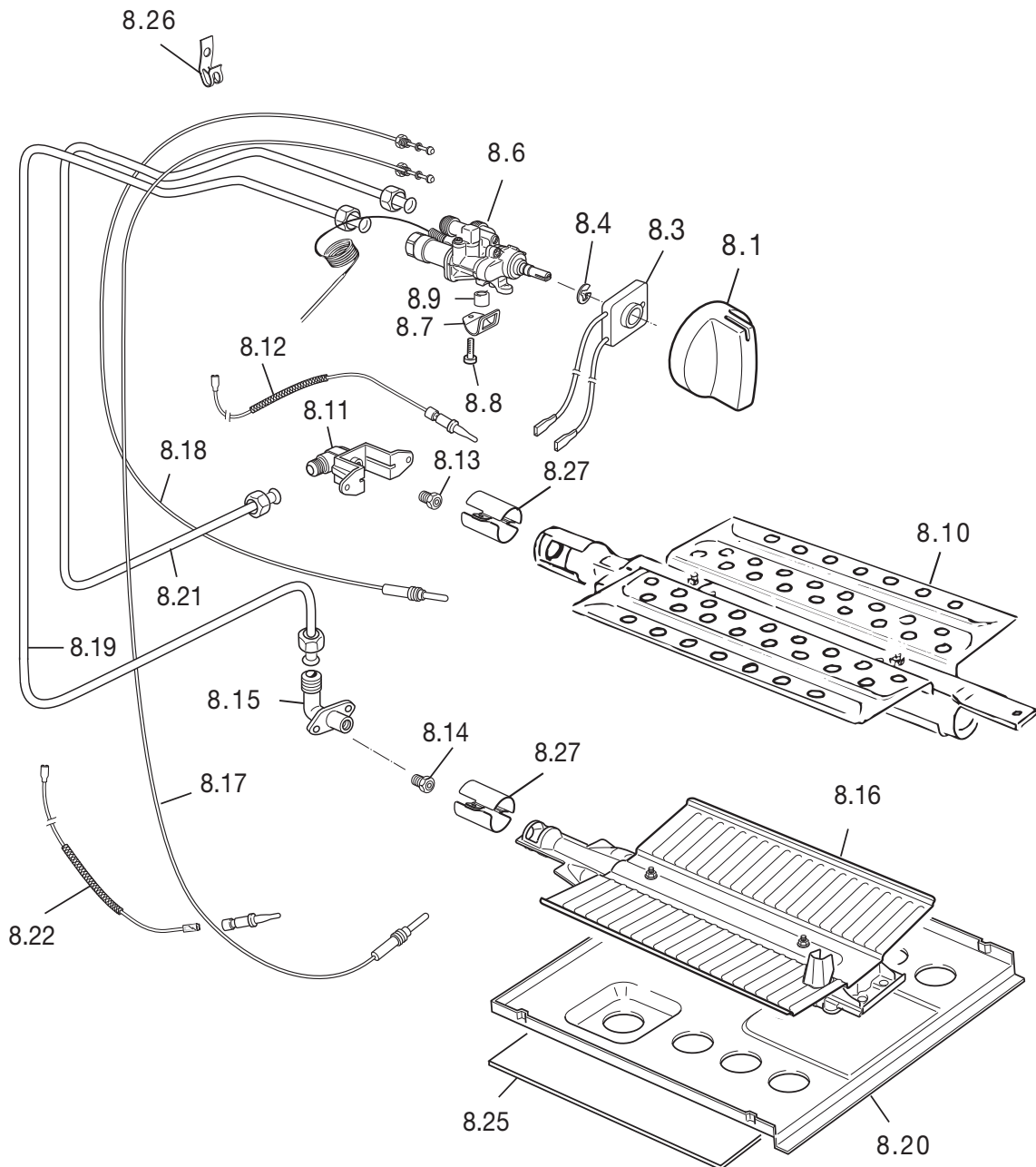
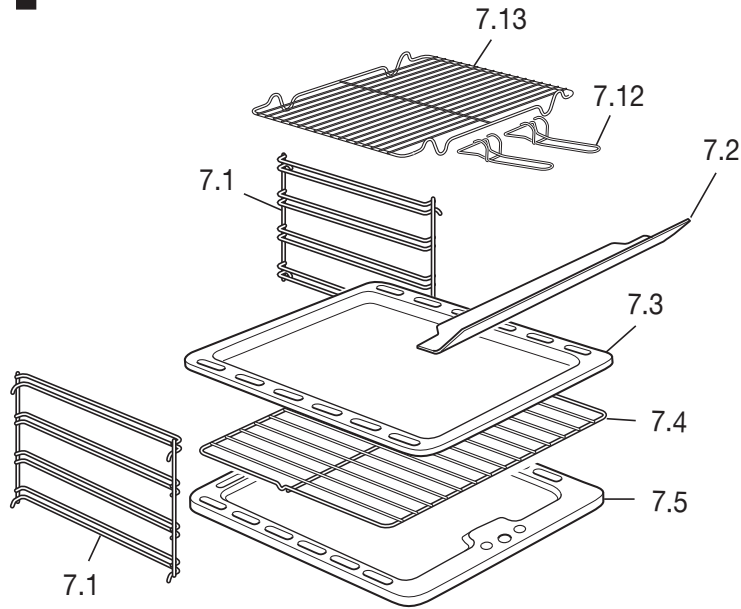
Ref.	Part description	Product code	
		C9T0CP104X	
		Feature	Part code
5.1	Door front panel with glass - Left oven		032912725
5.3	Door handle - Left oven		037299061
5.4	Fixing bar - Left oven		51B9102
5.5	Screw		001056
5.6	Screw M5x22		001083
5.7	Door insulation		030118.1
5.9	Left/right door hinge (female)		063148
5.10	Inner door panel		373F9106G
5.11	Gasket - Left oven		053084
5.12	Inner glass - Left oven		0311000.1T
5.14	Nut		214021
5.15	Screw		001143
5.16	Washer		003035
5.17	Washer		103205
5.18	Door hinge (male) - Left oven		063140
5.21	Washer		003030
5.22	Washer R5,7x15		003041
5.30	Door front panel with glass - Right oven		0329S2728A
5.31	Door handle - Right oven		037300061
5.32	Fixing bar - Right oven		51B9S04
5.33	Door insulation		030130.1
5.34	Inner glass - Right oven		0312159T
5.35	Gasket - Right oven		053096
5.37	Door hinge (male) - Right oven		063143
5.39	Inner door panel		373F9S04G



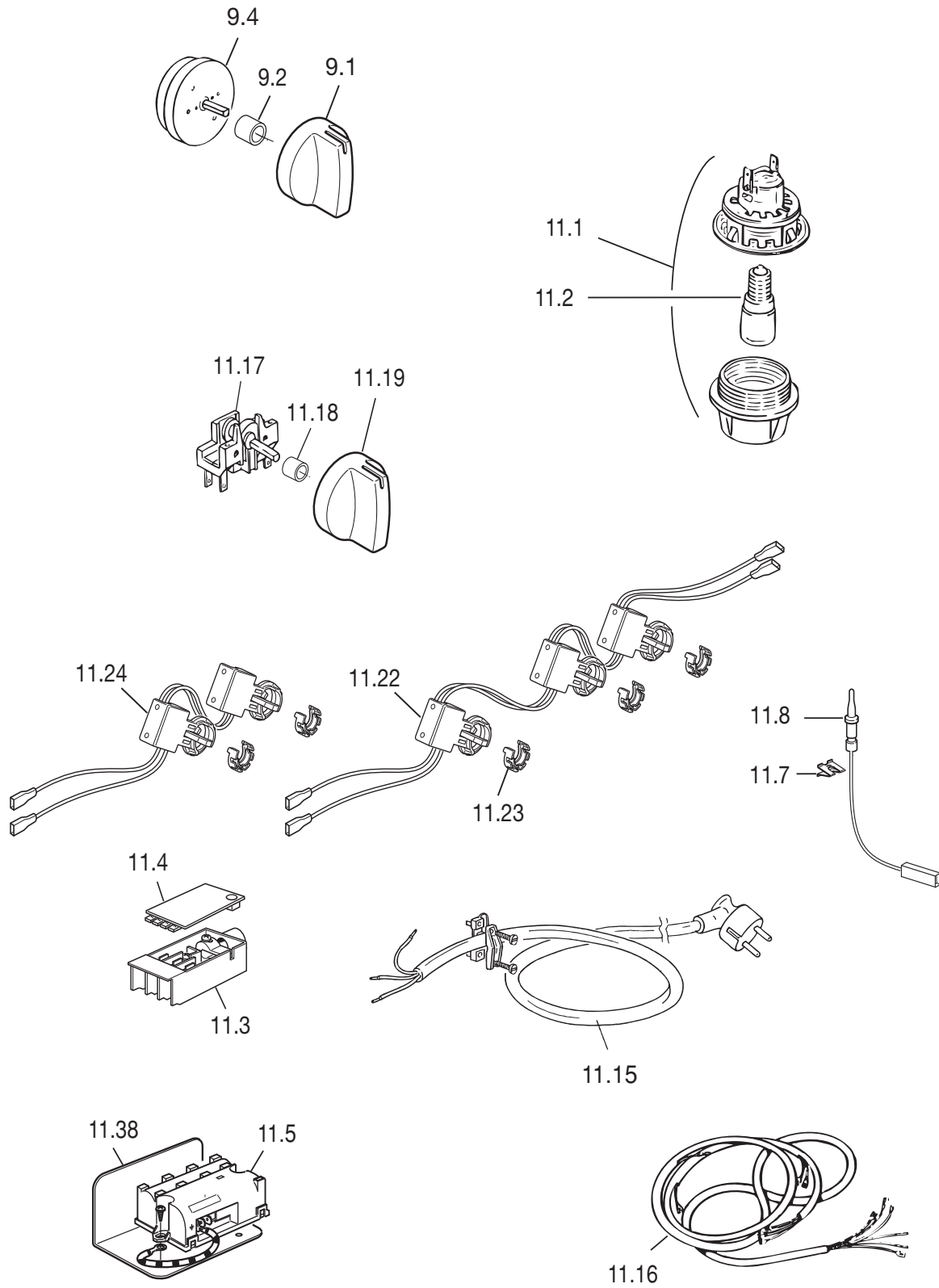
Ref.	Part description	Product code	
		C9T0CP104X	
		Feature	Part code
6.1	Burner knob		2182002416
6.4	Tap	Ø 0.28	106270GN
		Ø 0.33	106271GN
		Ø 0.43	106272GN
		Ø 0.63	106273GN
6.5	Tap fixing screw		001282
6.6	Tap bracket		094654
6.8A	Burner-cup	A	215465
6.8SR	Burner-cup	SR	215466
6.8R	Burner-cup	R	215467
6.9R	Burner head	R	068105001
6.9SR	Burner head	SR	068104001
6.9A	Burner head	A	068108001
6.10A	Burner-cap	A	216129005A
6.10SR	Burner-cap	SR	216130005A
6.10R	Burner-cap	R	216131005A
6.12	Injector	Ø 0.72 - G20	101234
		Ø 0.97 - G20	101235
		Ø 1.15 - G20	101236
		Ø 0.50 - G30	101180
		Ø 0.65 - G30	101181
		Ø 0.85 - G30	101182
6.14	Elbow gasket		053024.1
6.15	Burner-cup	TR	215469
6.17	Injector	Ø 1.35 - G20	101237
		Ø 0.95 - G30	101233
6.18	LPG connection		027014
6.19	Inlet pipe - front right	A	029633
6.20	Inlet pipe - rear right	SR	029632
6.21	Inlet pipe - central	TR	029649
6.22	Inlet pipe - front left	R	029650
6.23	Inlet pipe - rear left	SR	029630
6.25	Burner head	TR	068137
6.26	Burner thermocouple	L = 250	107038
		L = 500	107039
		L = 500	107042
6.27	Thermocouple nut		214057
6.28	Natural gas connection		027013
6.29	Connection		067026
6.36	Burner-cap inside	TR	216132005A
6.37	Burner-cap outside	TR	216133005A
6.38	Burner-cup gasket		053078



Ref.	Part description	Product code	
		C9T0CP104X	
		Feature	Part code
7.29	Oven floor - Right oven		47E36T01G
7.30	Shelf support - Right oven		217291
7.31	Oven tray - Right oven		48B9S001G
7.32	Oven shelf		217542
8.1	Knob		2182002416
8.11	Oven inlet pipe		029828
8.12	Gasket		053045
8.13	Screw		001248
8.15	Oven burner injector	Ø 0.72 - G30	101071
		Ø 1.10 - G20	101157
8.7	Oven burner		215474
8.20	Bottom element support		4213603Z
8.21	Thermostat		066168
8.22	Bracket		094503
8.23	Ignition switch		1031136
8.25	Elbow		067036
8.26	Retaining ring		003040
8.27	Burner air ring		094740
8.28	Cable		084040
8.29	Oven thermocouple	L=1200	107055
8.30	Clip		213015



Ref.	Part description	Product code	
		C9T0CP104X	
		Feature	Part code
7.1	Left/right shelf support - Left oven		217291
7.2	Grill deflector		103799
7.3	Oven tray - Left oven		48B6101G
7.4	Oven shelf - Left oven		217220
7.5	Oven floor - Left oven		47EN604G
7.12	Grill-pan grid handle		037144
7.13	Grill-pan grid		217397
8.1	Knob		2182002416
8.3	Ignition switch		1031136
8.4	Retaining ring		003040
8.6	Thermostat		066164
8.7	Bracket		094503
8.8	Screw		001248
8.9	Gasket		053045
8.10	Grill burner		215491
8.11	Grill elbow		067035
8.12	Grill burner igniter		084041
8.13	Grill burner injector	Ø 0.80 - G30	101112
		Ø 1.20 - G20	101081
8.14	Oven burner injector	Ø 0.92 - G30	101080
		Ø 1.40 - G20	101091
8.15	Elbow		067036
8.16	Oven burner		215512
8.17	Oven thermocouple	L=1200	107055
8.18	Grill thermocouple	L=1000	107056
8.19	Oven inlet pipe		029826
8.20	Oven burner support		4216N01Z
8.21	Grill inlet pipe		029827
8.22	Oven burner igniter	L=450	084040
8.25	Bottom element plate		4216108Z
8.26	Clip		213015
8.27	Burner air ring		094740



Ref.	Part description	Product code	
		C9T0CP104X	
		Feature	Part code
9.1	Timer knob		2182002417
9.2	Timer knob sleeve		085081
9.4	60' alarm		074009
11.1	Lamp holder		072003
11.2	Lamp - 15 W		073013001
11.3	Terminal block		051054
11.4	Terminal block cover		103451
11.5	4 burners ignition coil		082080
11.7	Igniter spring		035094
11.8	Igniter	L = 630	084029
		TR - L = 500	084033
11.15	Cord 3x0,75		054092
11.16	Wiring		1131515
11.17	Oven light switch		050058
11.18	Switch oven knob sleeve		085081
11.19	Switch oven knob		2182002417
11.22	Ignition switches		1031247
11.23	Retaining ring		003077
11.24	Ignition switches		1031244
11.37	Ignition coil support		094413
-	LPG gas conversion kit		6109T50005
-	Instruction booklet		1104261