



CR9215

Caple 900mm Range



TECHNICAL INFORMATION



New product information sheet

Product name: CR9215

Description: Gas double cavity range cooker

Product code: CR9215

Width 900mm

Main oven features

3 functions:

- gas cooking
- gas grill
- light

61 litre capacity

Cooling fan

Auto electronic ignition

60 Minute audible timer

Small oven features

2 functions:

- gas cooking
- light

30 litre capacity

Auto electronic ignition

Hob features

5 Gas burners:

- 1 triple ring burner

Cast iron pan supports

Auto electronic ignition

General features

Gas

Flame safety device

Fingerprint-proof stainless steel front panel, doors and storage panel

Black side panels

Black glass doors

Double glazed doors with heat reflective glass

Open door grilling (heat shield supplied)

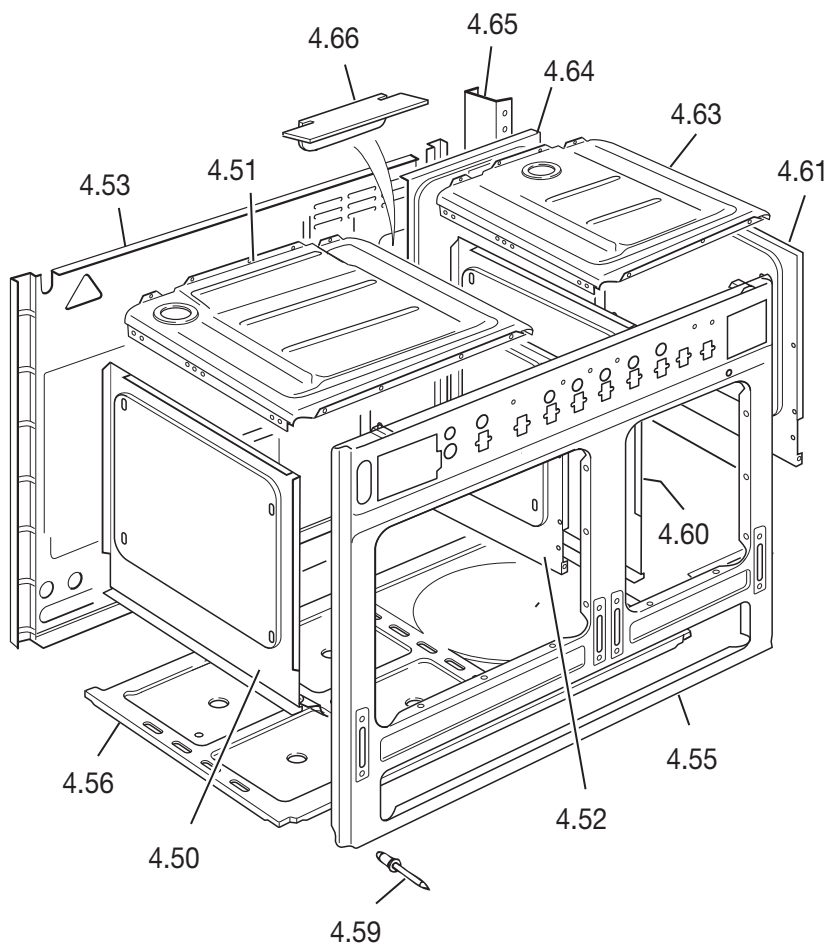
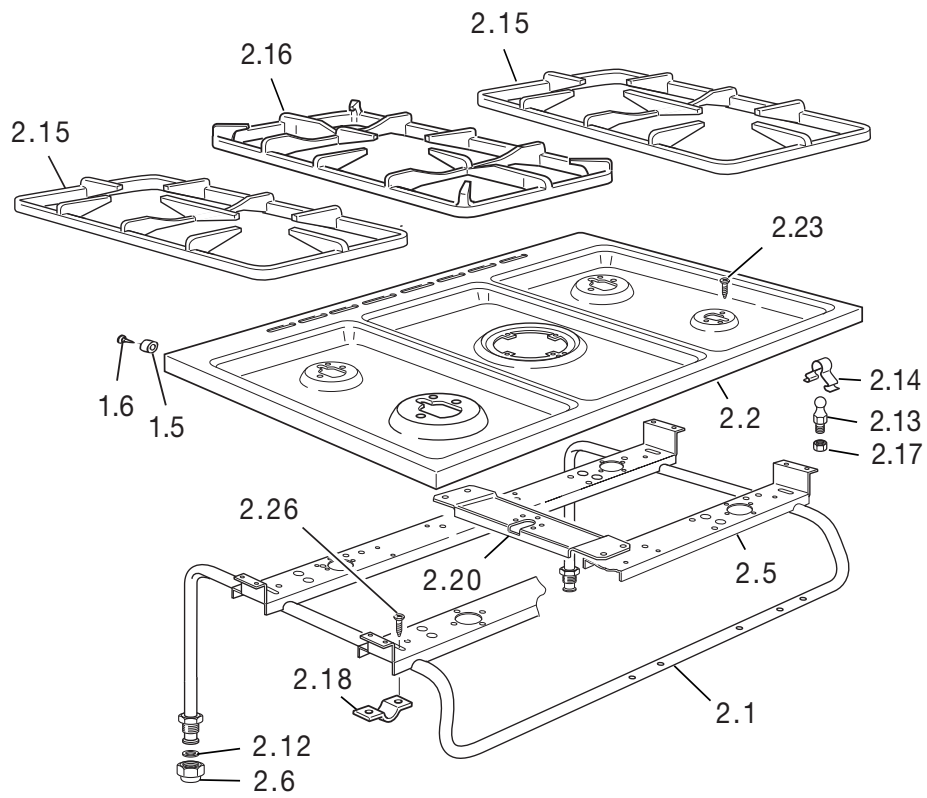
Safety valves for oven and grill

Storage compartment

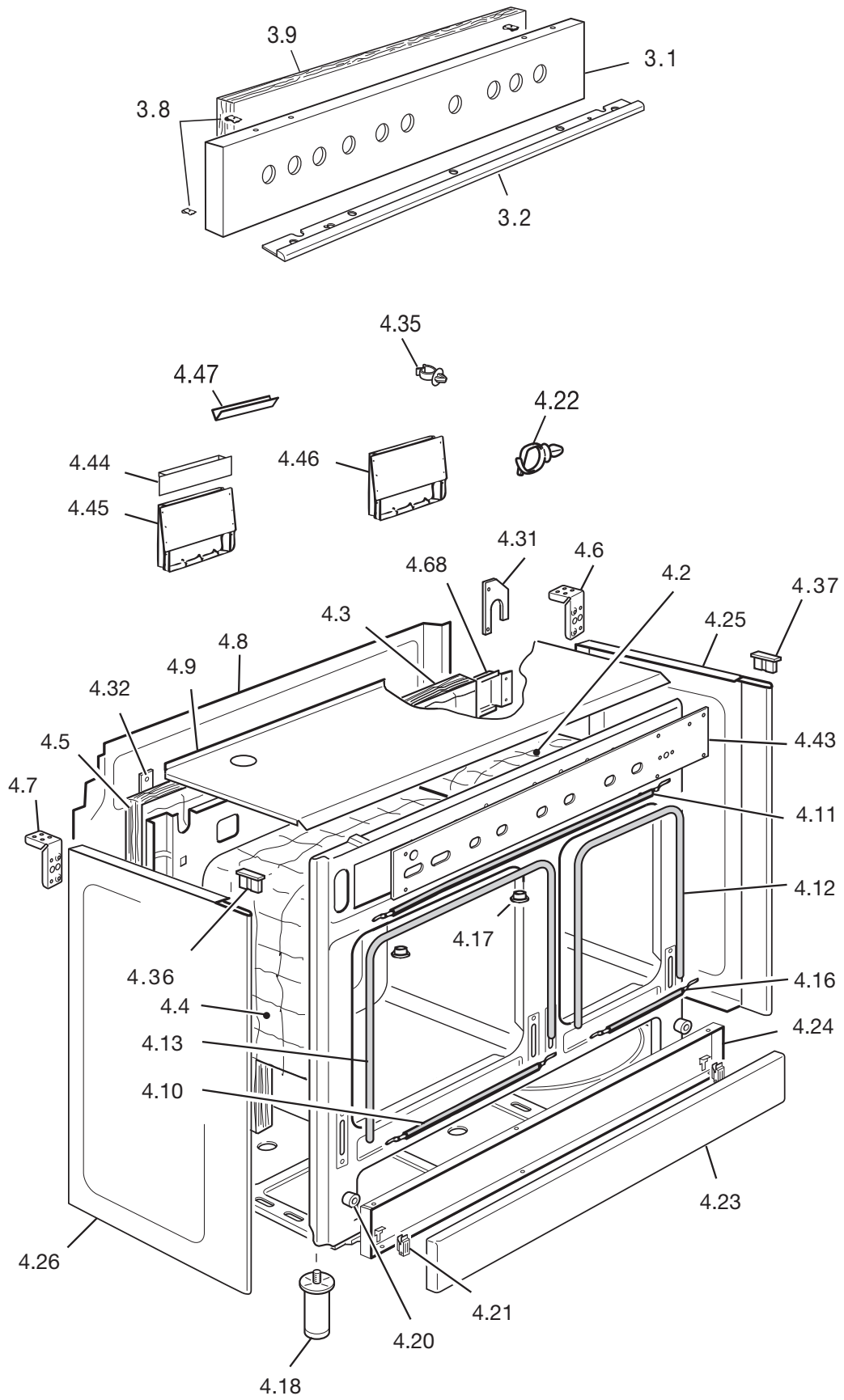
LPG jets included

Self-cleaning catalytic liners available

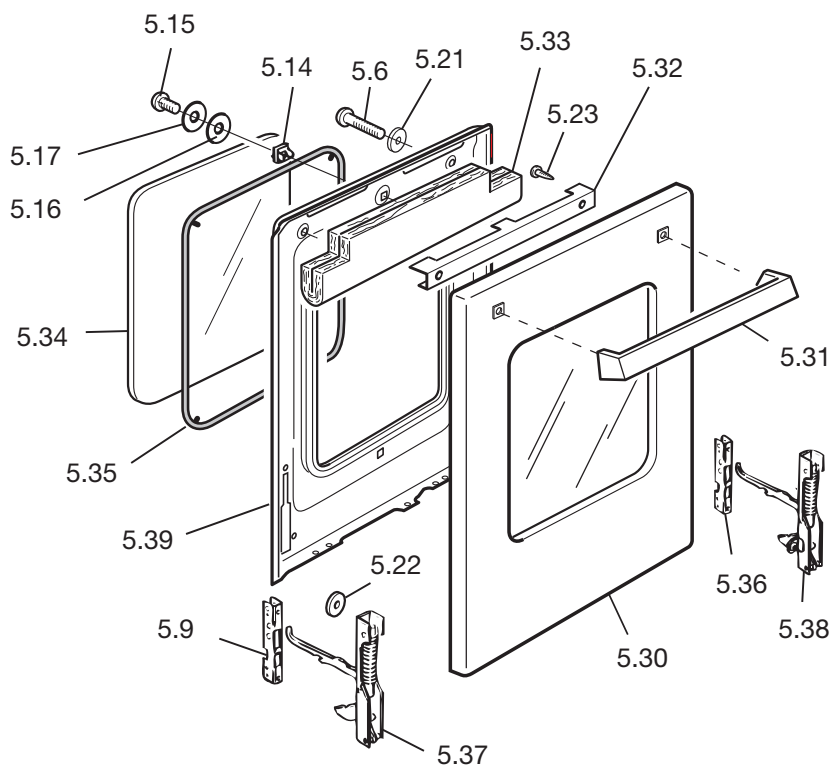
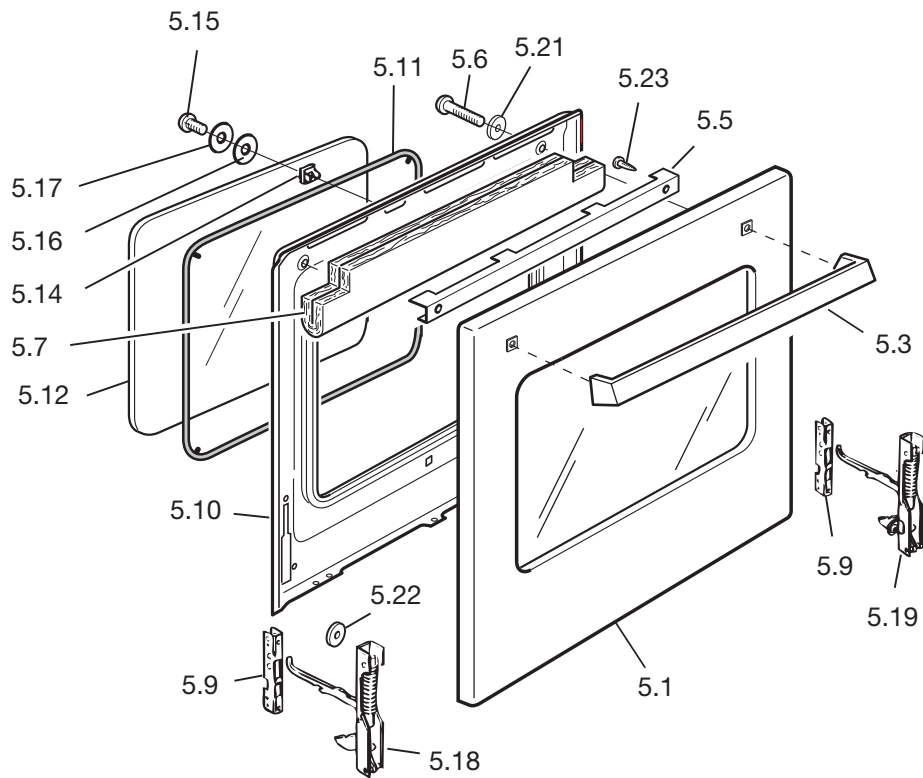




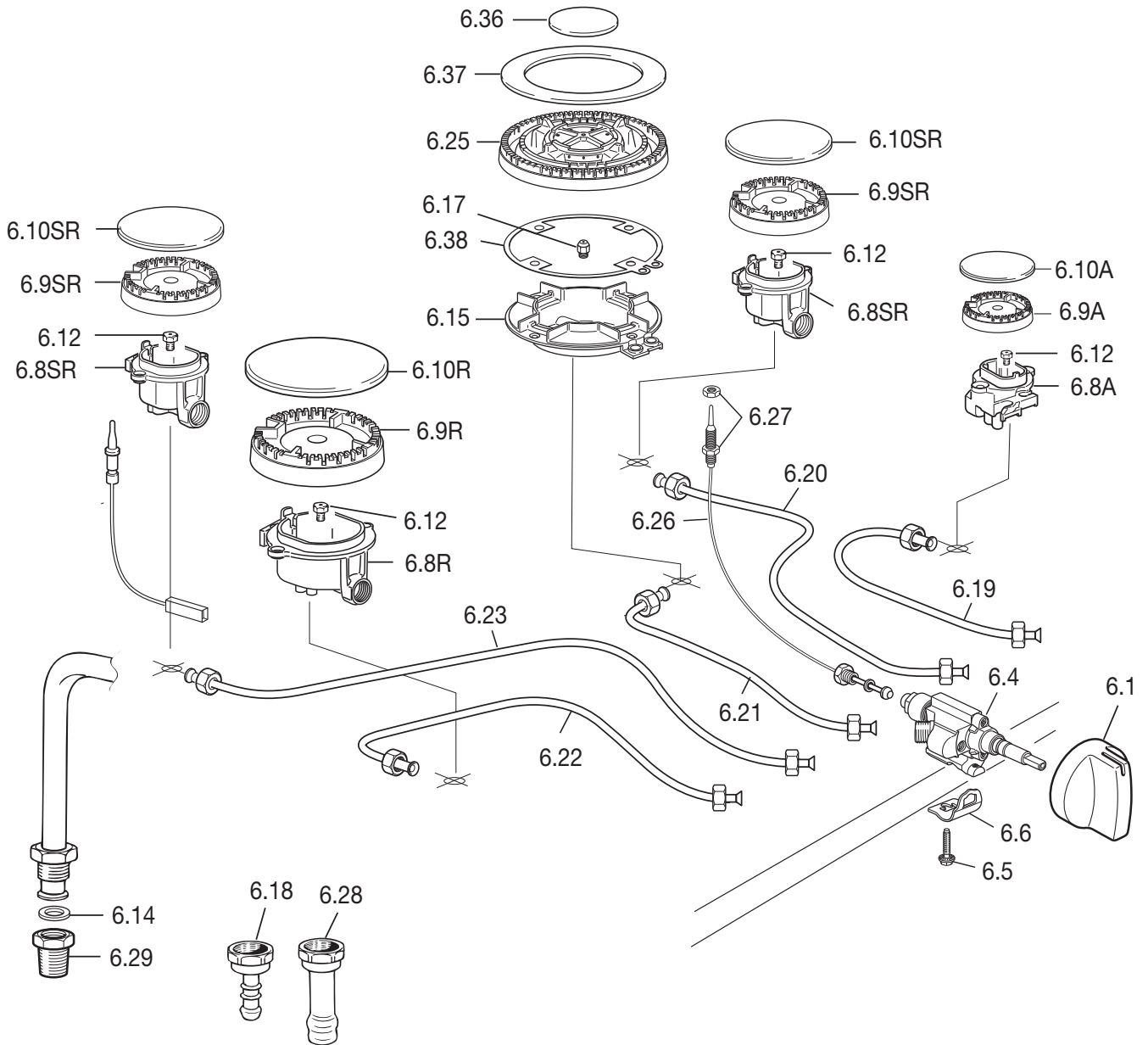
Ref.	Part description	Product code	
		C9T0CP021X	
		Feature	Part code
1.5	Plug		040041001
1.6	Stainless steel screw		001007
2.1	Manifold		3429T50003
2.2	Cooktop		3319S504S
2.5	Burners support		51B9S01
2.6	Inlet pipe plug		027015
2.12	Gasket		053024.1
2.13	Pin		103615
2.14	Spring		035100
2.15	Pan-support		217566
2.16	Central pan-support		217639
2.17	Nut		214062
2.18	Fixing plate		094473
2.20	Cross-piece		51B9S05
2.23	Screw		001234.1
2.26	Screw		001167
4.50	Oven side panel (Left)		45EN6106G
4.51	Top oven panel		45EN6101G
4.52	Oven side panel (Right)		45EN6107G
4.53	Body rear panel		45H9T003G
4.55	Body front panel		45B9S002G
4.56	Lower element cover		45K96004Z
4.59	Rivet		211012
4.60	Oven side panel (Left)		45E65104G
4.61	Oven side panel (Right)		45E65105G
4.63	Top oven panel		45E9T002G
4.64	Body rear panel		45H9T005G
4.65	Right oven shelter		4219S02Z
4.66	Right oven lower rear panel		4219S03Z



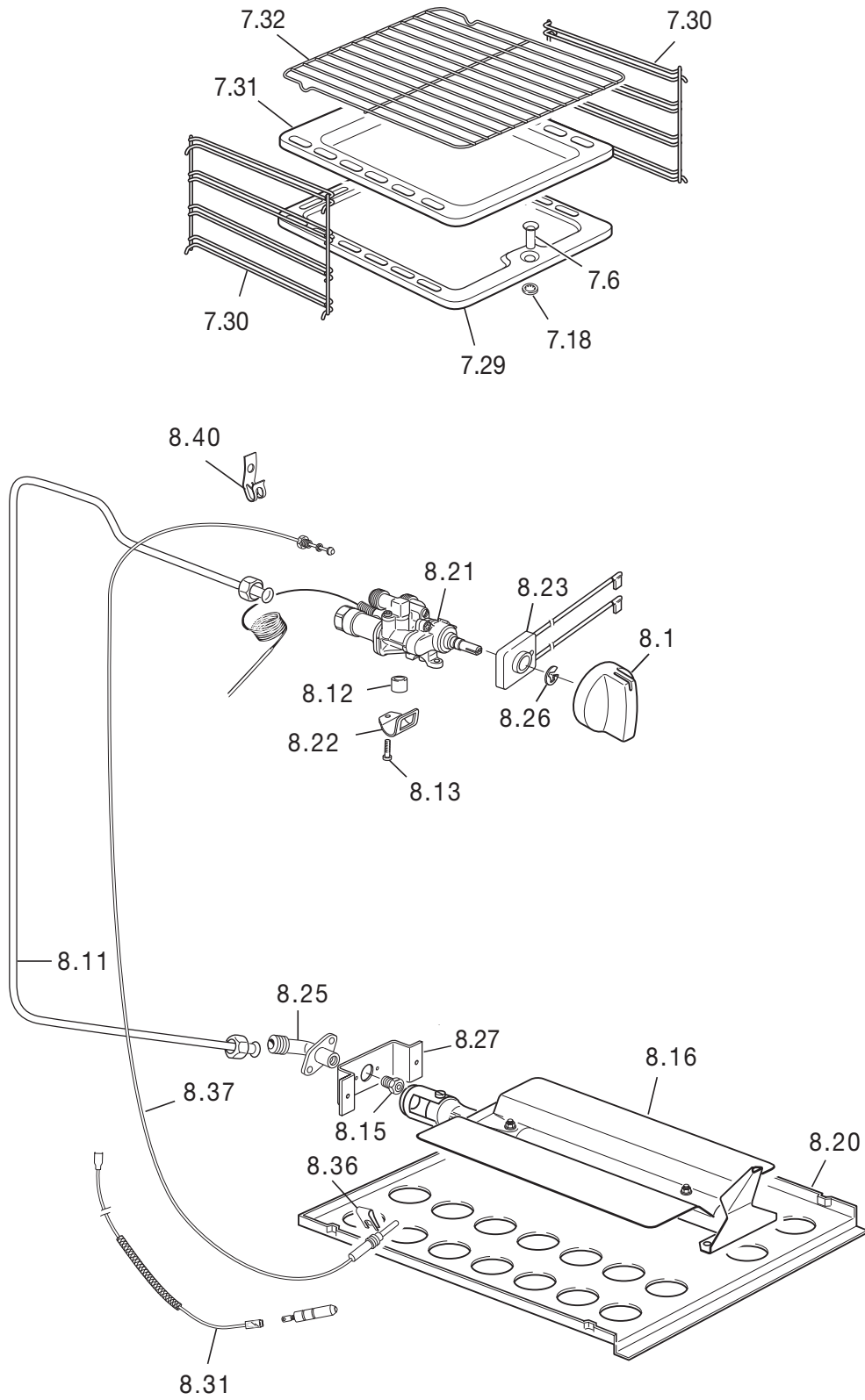
Ref.	Part description	Product code	
		C9T0CP021X	
		Feature	Part code
3.1	Control panel		35N9182LCP
3.2	Control panel trim		103760
3.8	Clips		213007
3.9	Control panel insulation		030208.1
4.2	Oven insulation		030142.1
4.3	Rear insulation		030143.1
4.4	Oven insulation		030113.1
4.5	Rear insulation		030085.1
4.6	Rear right coupler		094417DX
4.7	Rear left coupler		094417SX
4.8	Rear panel		4119T02
4.9	Upper shelter		4219T01Z
4.10	Top/bottom seal		053074
4.11	Top seal		053098
4.12	Seal		053093
4.13	Seal		053039
4.16	Bottom seal		053094
4.17	Sleeve		085044
4.18	Shim		103564
4.20	Buffer		040061
4.21	Hinge		063075
4.22	Cable support		103672
4.23	Front panel		371V969LCP
4.24	Inside panel		373V9601Y
4.25	Side panel right		36C91D1H
4.26	Side panel left		36C91S1H
4.31	Bracket		094412
4.32	Rear insulation support		4219604Z
4.35	Tube retainer		531533
4.36	Left stopper		081084080
4.37	Right stopper		081083080
4.43	Control panel protection		103797
4.44	Funnel prolongement		46A9S03Z
4.45	Left funnel		46A6501Z
4.46	Right funnel		46A9T01Z
4.47	Drip flap		4119T01
4.68	Rear insulation support		51B9S03



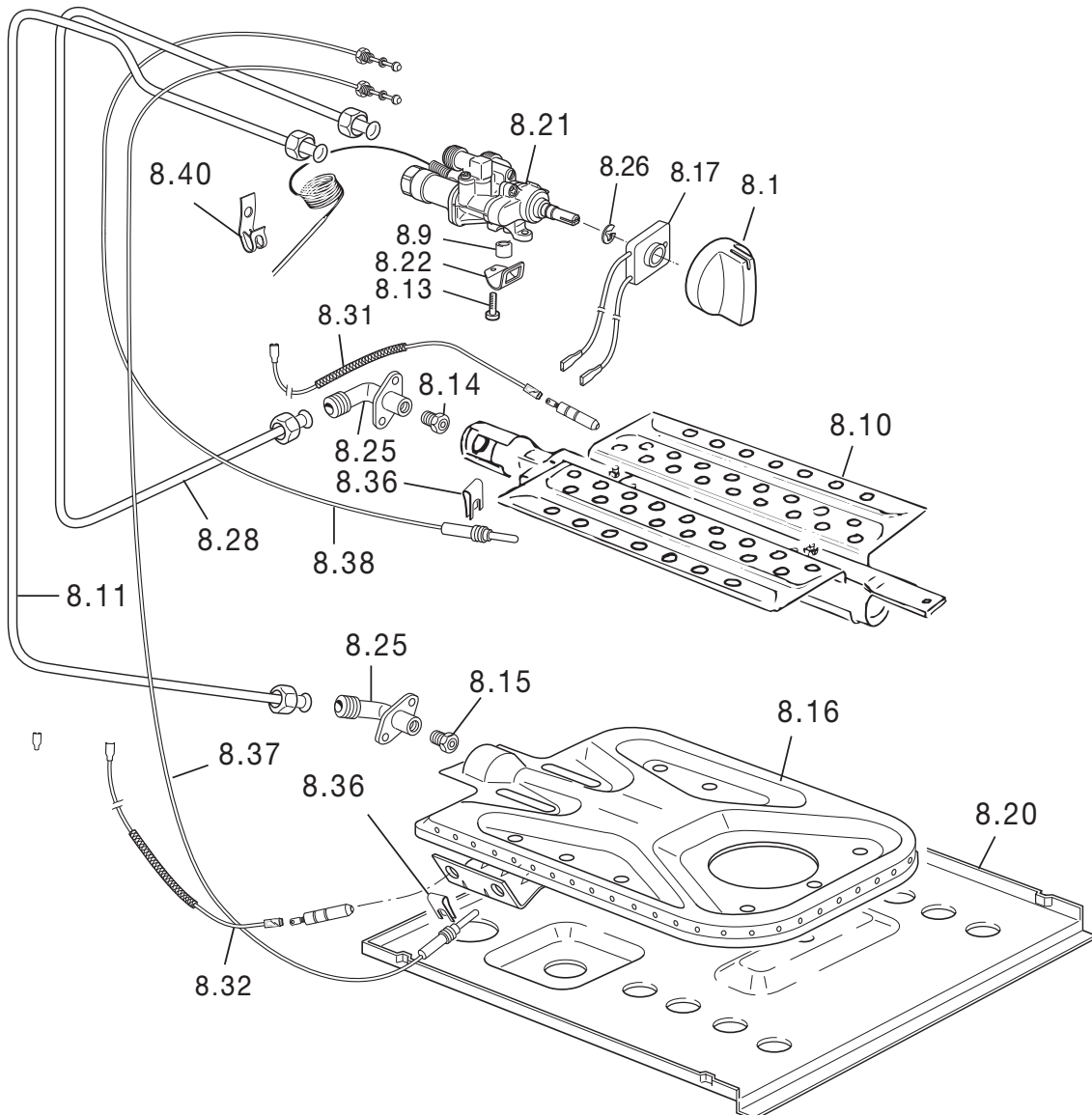
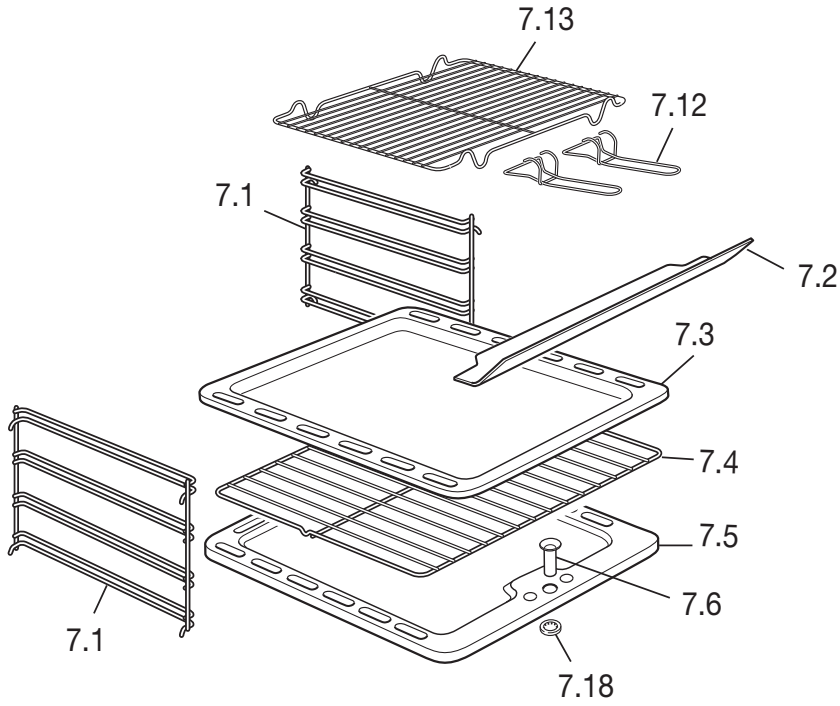
Ref.	Part description	Product code	
		C9T0CP021X	
		Feature	Part code
5.1	Door glass		032912725
5.3	Door handle		037299061
5.5	Fixing bar		51B9102
5.6	Screw		001056
5.7	Door insulation		030118.1
5.9	Door hinge (female)		063109
5.10	Door panel	R5,7x15	373F9103G
5.11	Gasket		053084
5.12	Inner glass		0311000.1T
5.14	Nut		214021
5.15	Screw		001143
5.16	Washer		003035
5.17	Washer		103205
5.18	Left door hinge (male)		063059/ZA
5.19	Right door hinge (male)		063058/ZA
5.21	Washer		003030
5.22	Washer	R5,7x15	003041
5.23	Screw		001083
5.30	Door glass		0329S2728A
5.31	Door handle		037300061
5.32	Fixing bar		51B9S04
5.33	Door insulation		030130.1
5.34	Inner glass		0312159T
5.35	Gasket		053096
5.37	Left door hinge (male)		063111
5.38	Right door hinge (male)		063110
5.39	Door panel		373F9S02G



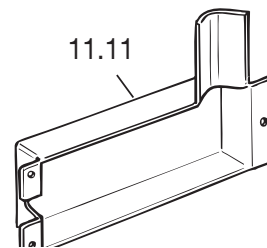
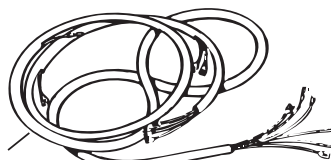
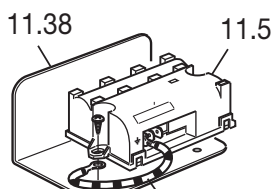
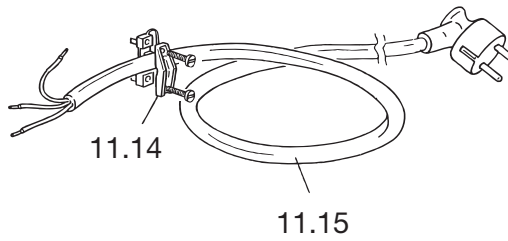
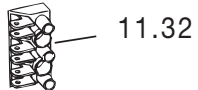
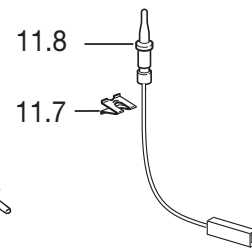
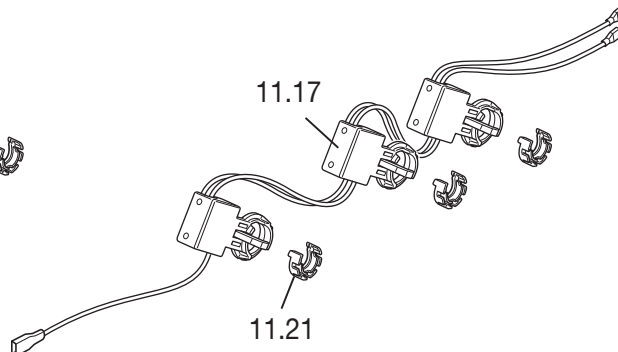
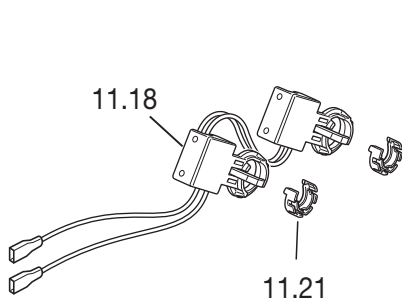
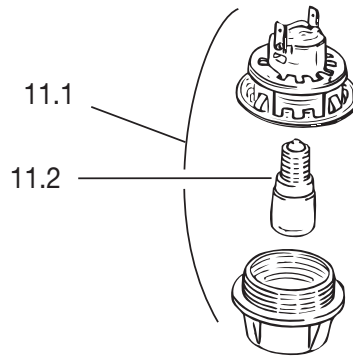
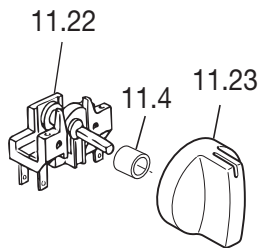
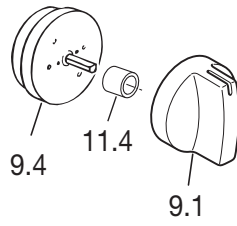
Ref.	Part description	Product code	
		C9T0CP021X	
		Feature	Part code
6.1	Burner knob		2182002416
6.4	Tap	Ø 0.28	106270
		Ø 0.33	106271
		Ø 0.43	106272
		Ø 0.63	106273
6.5	Tap fixing screw		001282
6.6	Tap bracket		094654
6.8A	Burner-cup	A	215465
6.8SR	Burner-cup	SR	215466
6.8R	Burner-cup	R	215467
6.9R	Burner head	R	068105001
6.9SR	Burner head	SR	068104001
6.9A	Burner head	A	068108001
6.10A	Burner-cap	A	216129005A
6.10SR	Burner-cap	SR	216130005A
6.10R	Burner-cap	R	216131005A
6.12	Injector	Ø 0.72 - G20	101234
		Ø 0.97 - G20	101235
		Ø 1.15 - G20	101236
		Ø 0.50 - G30	101180
		Ø 0.65 - G30	101181
		Ø 0.85 - G30	101182
6.14	Elbow gasket		053024.1
6.15	Burner-cup	TR	215469
6.17	Injector	Ø 1.35 - G20	101237
		Ø 0.95 - G30	101233
6.18	LPG connection		027014
6.19	Inlet pipe - front right	A	029633
6.20	Inlet pipe - rear right	SR	029632
6.21	Inlet pipe - central	TR	029649
6.22	Inlet pipe - front left	R	029650
6.23	Inlet pipe - rear left	SR	029630
6.25	Burner head	TR	068113
6.26	Burner thermocouple	L = 250	107038
		L = 500	107039
		L = 500	107043
6.27	Thermocouple nut		214057
6.28	Natural gas connection		027013
6.29	Connection		067026
6.36	Burner-cap inside	TR	216132005A
6.37	Burner-cap outside	TR	216133005A
6.38	Burner-cup gasket		053078



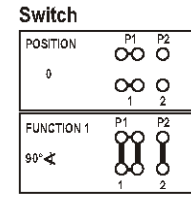
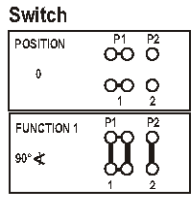
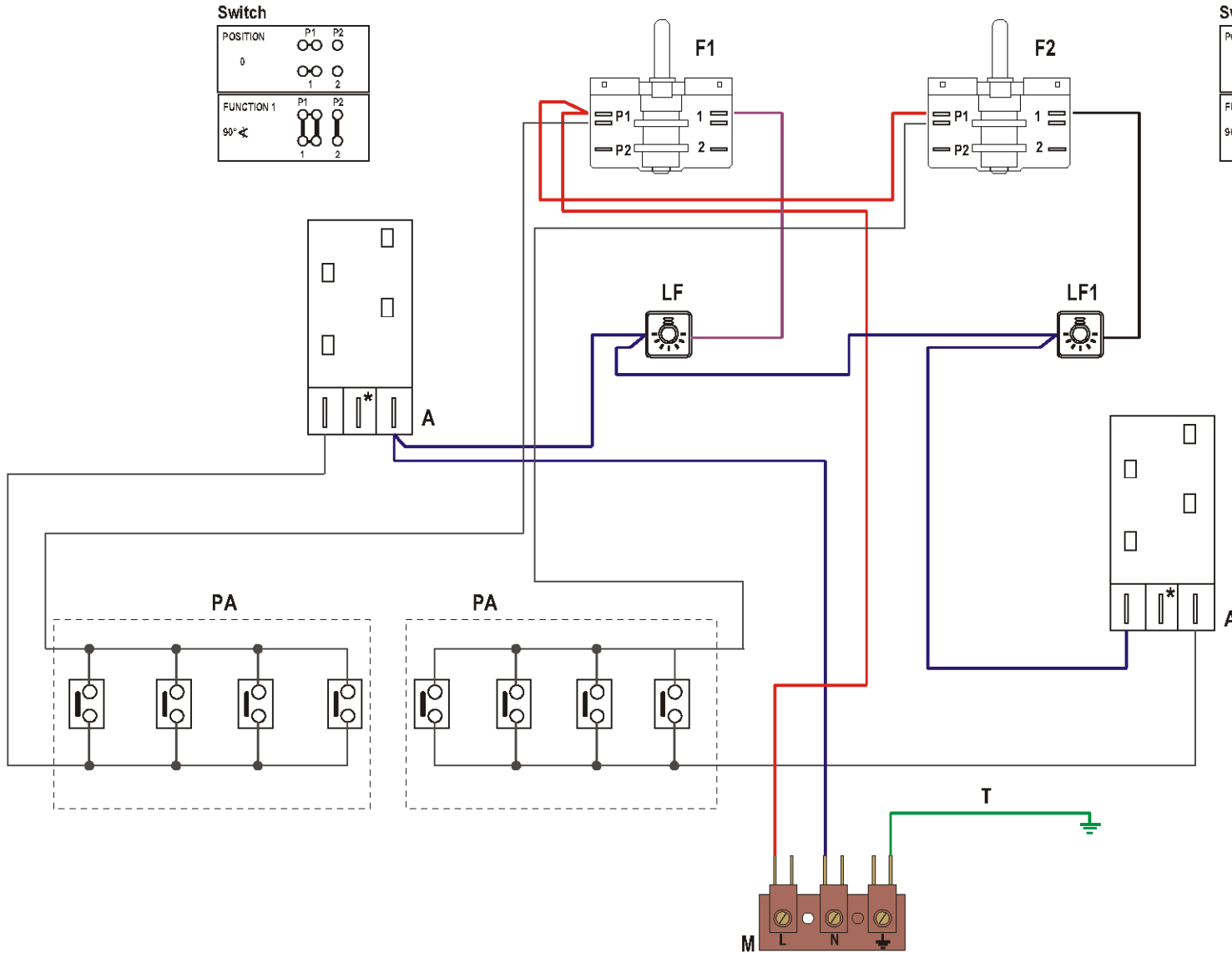
Ref.	Part description	Product code	
		C9T0CP021X	
		Feature	Part code
7.6	Lighting tube		103057
7.18	Retaining ring		003043
7.29	Oven floor		47E9T002G
7.30	Shelf support		217307
7.32	Oven shelf		217542
8.1	Knob		2182002416
8.4	Knob sleeve		085081
8.11	Oven inlet pipe		029901
8.12	Gasket		053045
8.13	Screw		001248
8.15	Oven burner injector	Ø 0.72 - G30	101071
		Ø 1.10 - G20	101157
8.16	Oven burner		215472
8.20	Bottom element support		4219T03Z
8.21	Thermostat		066168
8.22	Bracket		094503
8.23	Ignition switch		1031136
8.25	Elbow		067024
8.26	Retaining ring		003040
8.27	Injector support		094471
8.31	Oven burner igniter		084050
8.36	Spring		035098
8.37	Oven thermocouple - L=1250		107049
8.40	Clip		213015



Ref.	Part description	Product code	
		C9T0CP021X	
		Feature	Part code
7.1	Shelf support		217291
7.2	Grill deflector		103799
7.3	Oven tray		48B6101G
7.4	Oven shelf		217220
7.5	Oven floor		47EN601G
7.6	Lighting tube		103057
7.12	Grill-pan grid handle		037144
7.13	Grill-pan grid		217397
7.18	Retaining ring		003043
8.1	Knob		2182002416
8.4	Knob sleeve		085081
8.9	Gasket		053045
8.10	Grill burner		215460
8.11	Oven inlet pipe		029899
8.13	Screw		001248
8.14	Grill burner injector	Ø 0.80 - G30	101112
		Ø 1.20 - G20	101081
8.15	Oven burner injector	Ø 0.92 - G30	101080
		Ø 1.40 - G20	101091
8.16	Oven burner		215490
8.17	Ignition switch		1031136
8.20	Bottom element support		4219106Z
8.21	Thermostat		066164
8.22	Bracket		094503
8.25	Elbow		067025
8.26	Retaining ring		003040
8.28	Grill inlet pipe		029900
8.31	Grill burner igniter	L = 1300	084050
8.32	Oven burner igniter	L = 1700	084052
8.36	Spring		035098
8.37	Oven thermocouple	L=1250	107046
8.38	Grill thermocouple	L=1000	107047
8.40	Clip		213015



Ref.	Part description	Product code	
		C9T0CP021X	
		Feature	Part code
9.1	Alarm knob		2182002417
9.4	60' alarm		074009
11.1	Lamp holder		072003
11.2	Lamp		073013001
11.4	Knob sleeve		085081
11.5	Burners ignition coil		082051.1
11.6	Burner ignition coil cable		103288
11.7	Igniter spring		035094
11.8	Igniter	L = 630	084029
		TR - L = 500	084033
11.11	Terminal block protection		103230.1A
11.14	Wire fastener	3x0,75	052008
11.15	Cord		054066
11.16	Wiring		1131515
11.17	Right ignition switches		1031247
11.18	Left ignition switches		1031244
11.21	Washer		003077
11.22	Oven light switch		050058
11.23	Switch oven knob		2182002417
11.32	Terminal block	25A - 3P	051049
11.38	Ignition coil support		094413
-	LPG gas conversion kit		6109T50005
-	Instruction booklet		1103511



ELECTRIC DIAGRAM KEY

A IGNITION COILS
 PA IGNITION SWITCHES GROUP
 M TERMINAL BLOCK
 T EARTH CONNECTION

RIGHT OVEN
 F1 SWITCH
 LF OVEN LAMP

LEFT OVEN
 F2 SWITCH
 LF1 OVEN LAMP



CR9215
 Caple 900mm Range