

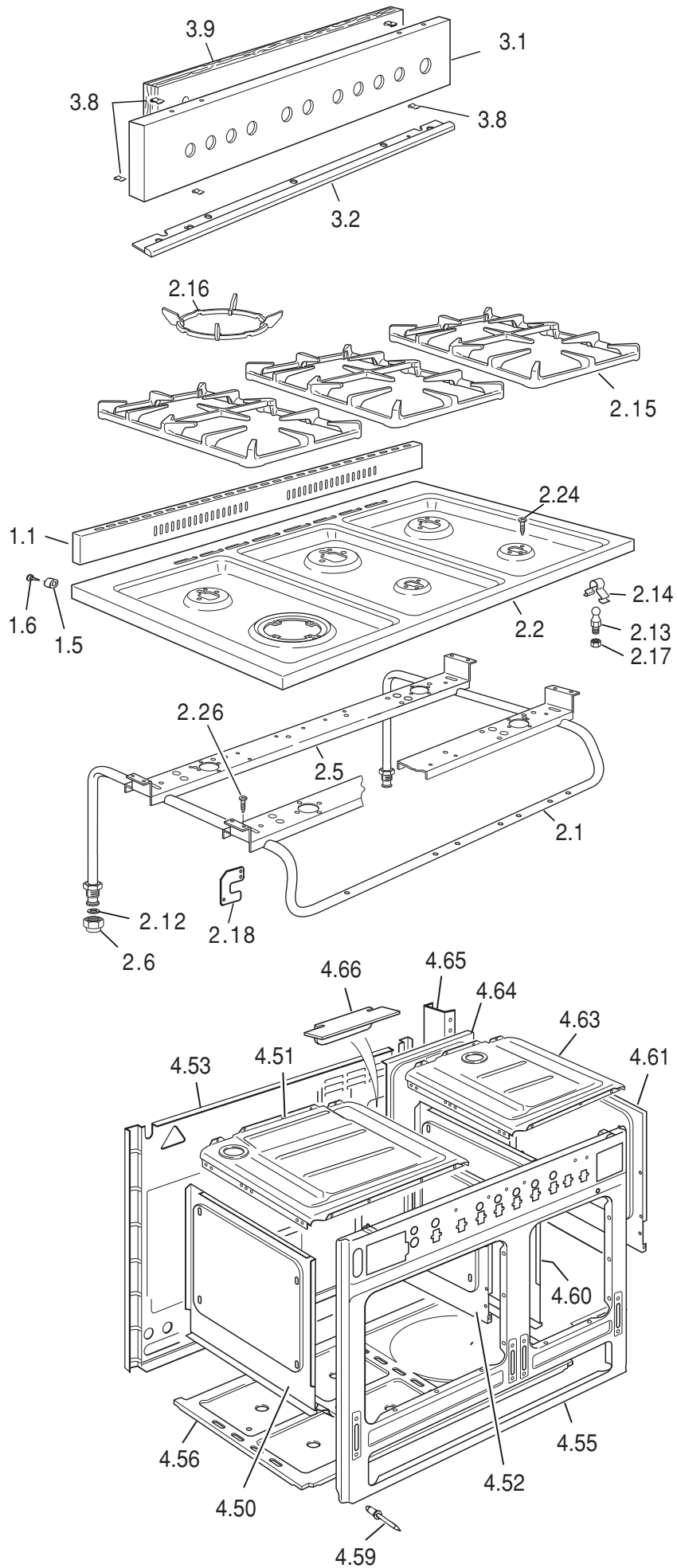


# CR9210

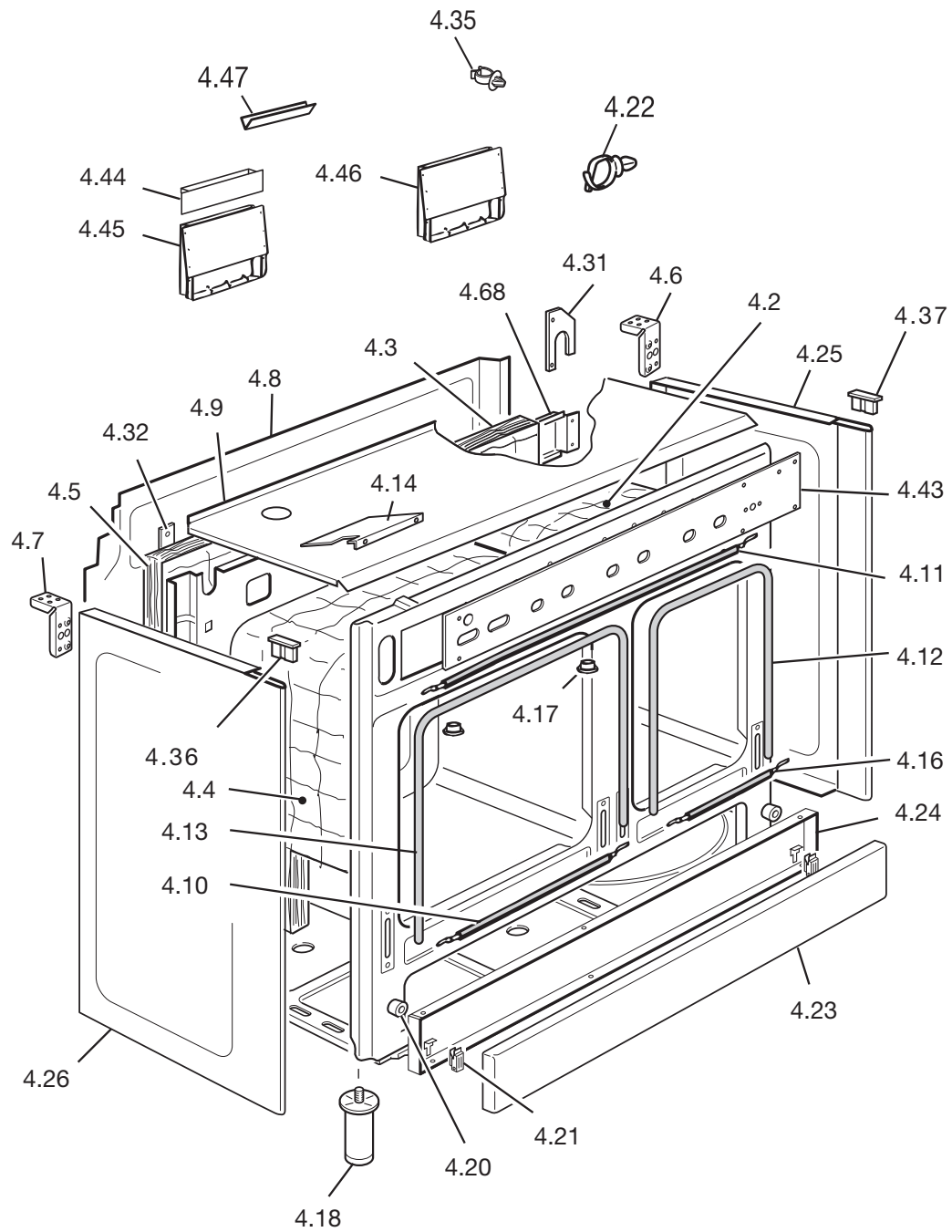
Caple 900 GAS Range 2 Cavity



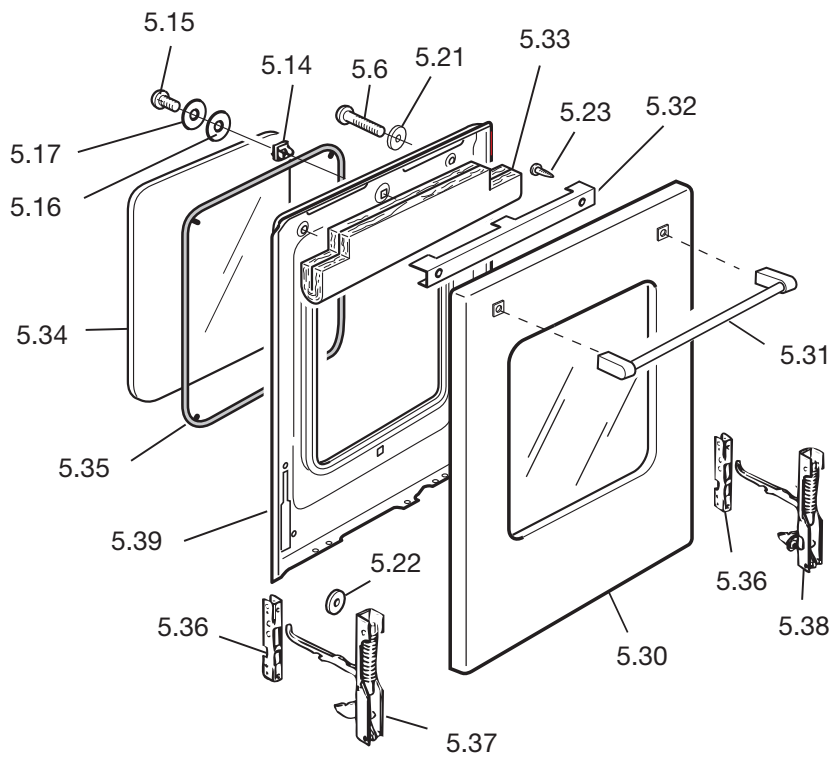
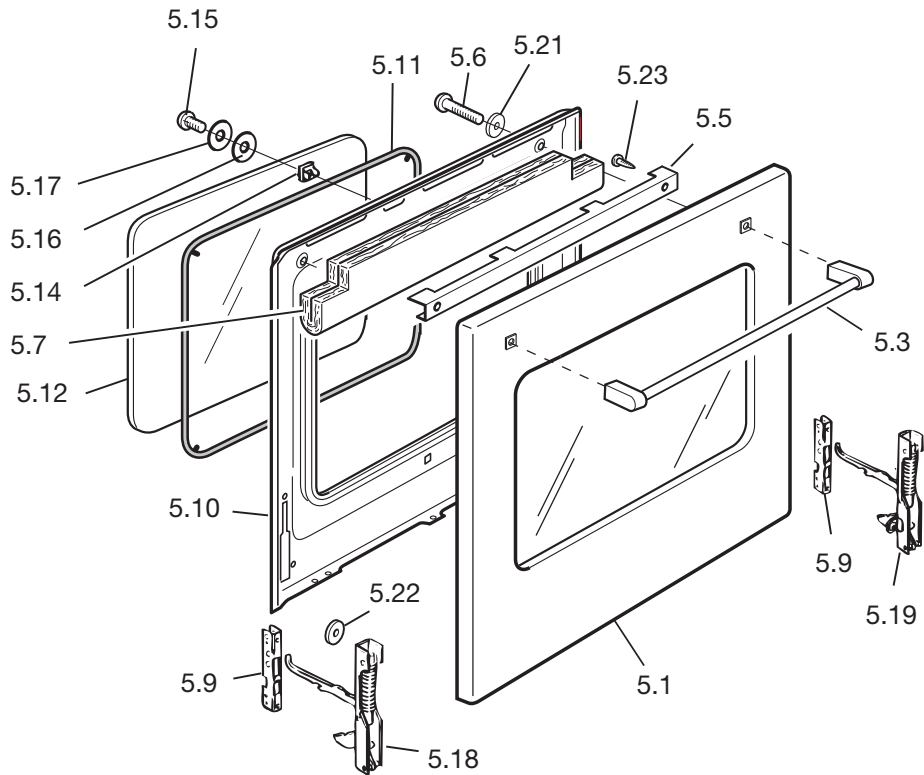
TECHNICAL INFORMATION



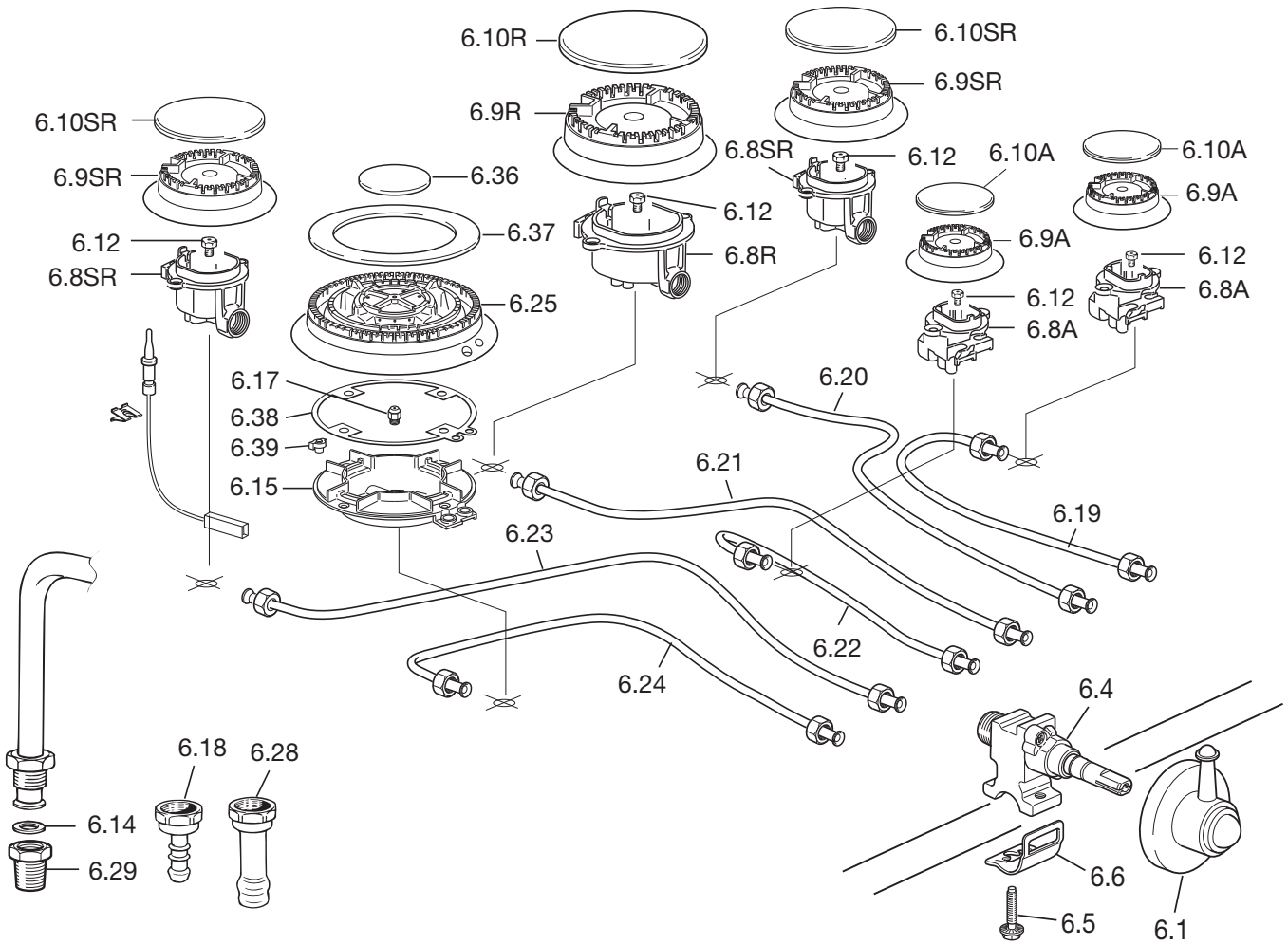
Ref.	Part description	Product code	
		<b>C9T0CP015X</b>	
		Feature	Part code
1.1	Rear trim		103667063
1.5	Plug		040041001
1.6	Stainless steel screw		001007
2.1	Manifold		3429T60003
2.2	Cooktop		3319S602S
2.5	Burners support		51B9S01
2.6	Inlet pipe plug		027015
2.12	Gasket		053024.1
2.13	Pin		103615
2.14	Spring		035100
2.15	Pan-support		217530
2.16	Wok grid		217498
2.17	Nut		214062
2.18	Fixing plate		094473
2.24	Screw		001234.1
2.26	Screw		001167
3.1	Control panel		35N9171UCP
3.2	Control panel trim		103760
3.8	Clips		213007
3.9	Control panel insulation		030208.1
4.50	Oven side panel (Left)		45EN6106K
4.51	Top oven panel		45EN6101K
4.52	Oven side panel (Right)		45EN6107K
4.53	Body rear panel		45H9T003K
4.55	Body front panel		45B9S002K
4.56	Lower element cover		45K96004Z
4.59	Rivet		211012
4.60	Oven side panel (Left)		45E65104K
4.61	Oven side panel (Right)		45E65105K
4.63	Top oven panel		45E9T002K
4.64	Body rear panel		45H9T002K
4.65	Right oven shelter		4219S02Z
4.66	Right oven lower rear panel		4219S03Z



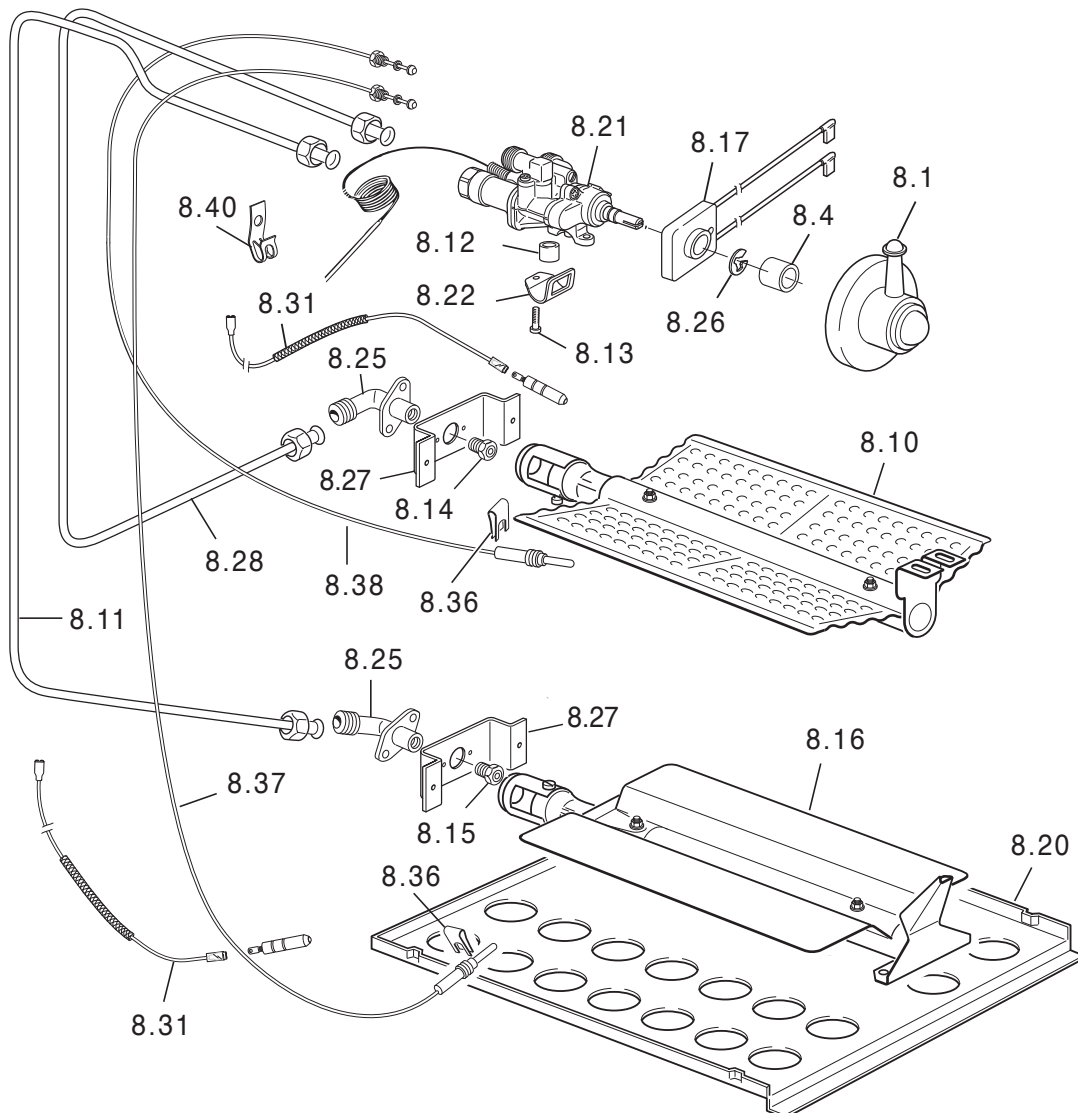
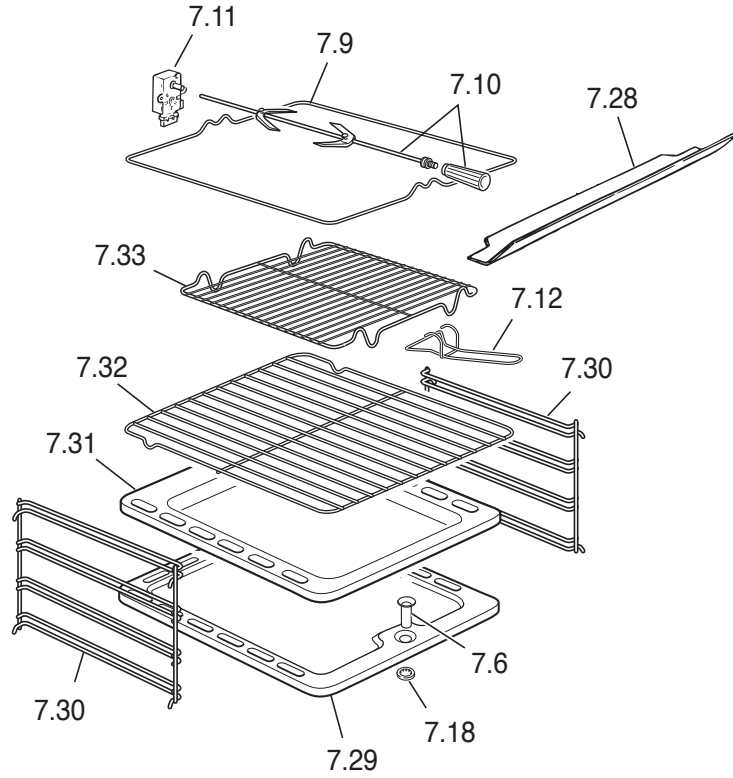
Ref.	Part description	Product code	
		<b>C9T0CP015X</b>	
		Feature	Part code
4.2	Oven insulation		030142.1
4.3	Rear insulation		030143.1
4.4	Oven insulation		030113.1
4.5	Rear insulation		030085.1
4.6	Rear right coupler		094417DX
4.7	Rear left coupler		094417SX
4.8	Rear panel		4119T02
4.9	Upper shelter		4219T01Z
4.10	Top/bottom seal		053074
4.11	Top seal		053098
4.12	Seal		053093
4.13	Seal		053039
4.14	Switch protection bracket		094407
4.16	Bottom seal		053094
4.17	Sleeve		085044
4.18	Shim		103564
4.20	Buffer		040061
4.21	Hinge		063075
4.22	Cable support		103672
4.23	Front panel		371V969SCP
4.24	Inside panel		373V9601M
4.25	Side panel right		36C91D1S
4.26	Side panel left		36C91S1S
4.31	Bracket		094412
4.32	Rear insulation support		4219604Z
4.35	Tube retainer		531533
4.36	Left stopper		081084/NS
4.37	Right stopper		081083/NS
4.43	Control panel protection		103797
4.44	Funnel prolongement		46A9S03Z
4.45	Left funnel		46A6501Z
4.46	Right funnel		46A9T01Z
4.47	Drip flap		4119T01
4.68	Rear insulation support		51B9S03



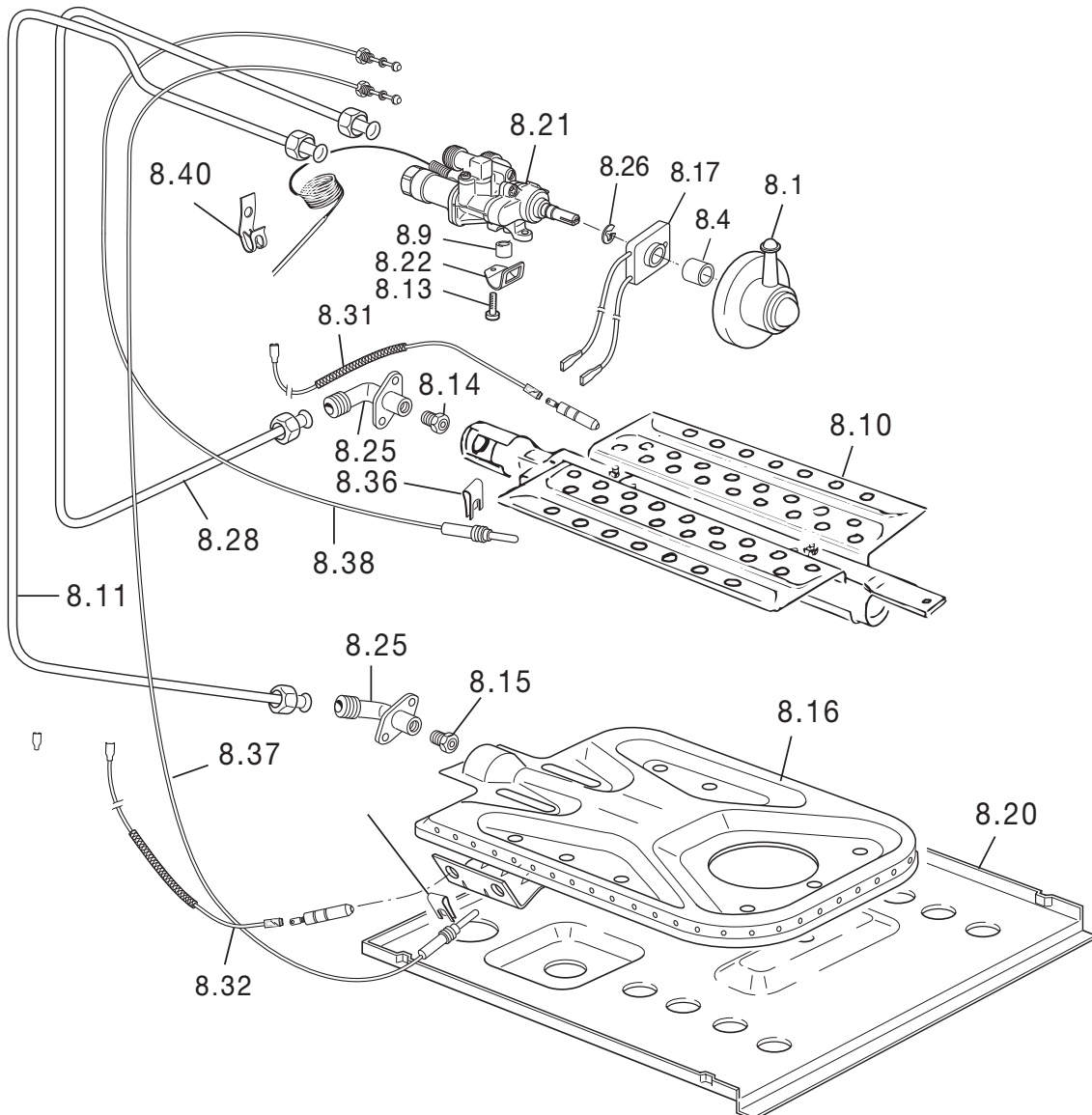
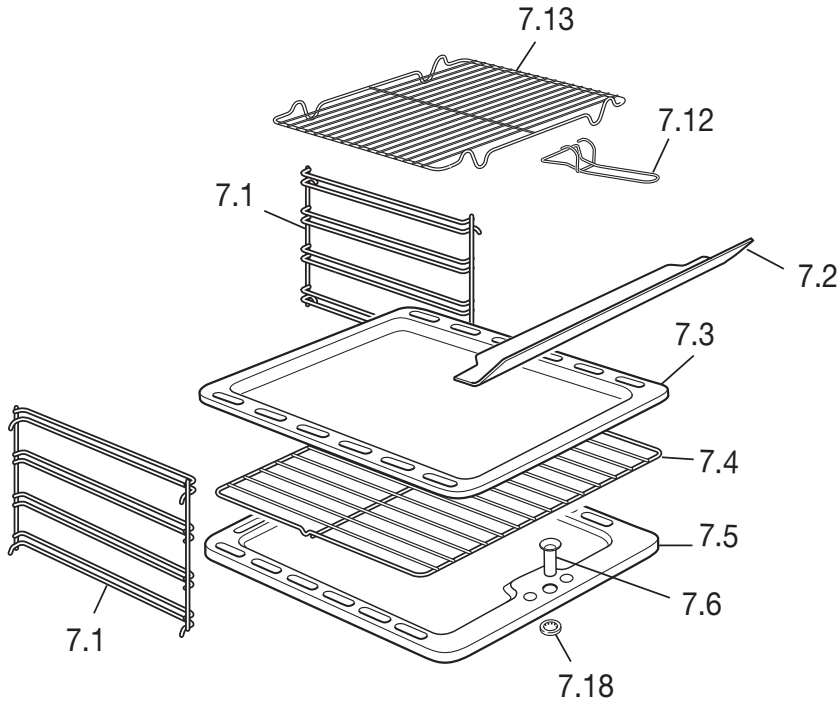
Ref.	Part description	Product code	
		<b>C9T0CP015X</b>	
		Feature	Part code
5.1	Door glass		032912158O
5.3	Door handle		037215062
5.5	Fixing bar		51B9102
5.6	Screw		001056
5.7	Door insulation		030118.1
5.9	Door hinge (female)		063109
5.10	Door panel	R5,7x15	373F9103K
5.11	Gasket		053084
5.12	Inner glass		0311000.1T
5.14	Nut		214021
5.15	Screw		001143
5.16	Washer		003035
5.17	Washer		103205
5.18	Left door hinge (male)		063059/ZA
5.19	Right door hinge (male)		063058/ZA
5.21	Washer		003030
5.22	Washer	R5,7x15	003041
5.23	Screw		001083
5.30	Door glass		0329S2160O
5.31	Door handle		037216062
5.32	Fixing bar		51B9S04
5.33	Door insulation		030130.1
5.34	Inner glass		0312159T
5.35	Gasket		053096
5.36	Door hinge (female)		063109
5.37	Left door hinge (male)		063111
5.38	Right door hinge (male)		063110
5.39	Door panel		373F9S02K



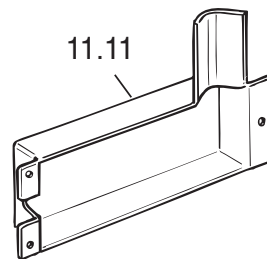
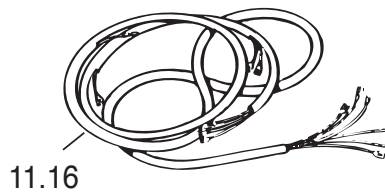
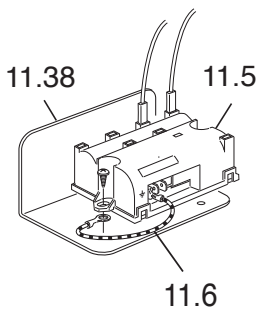
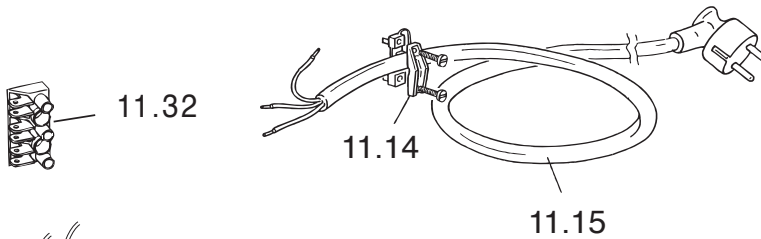
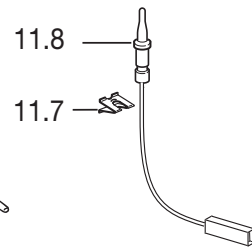
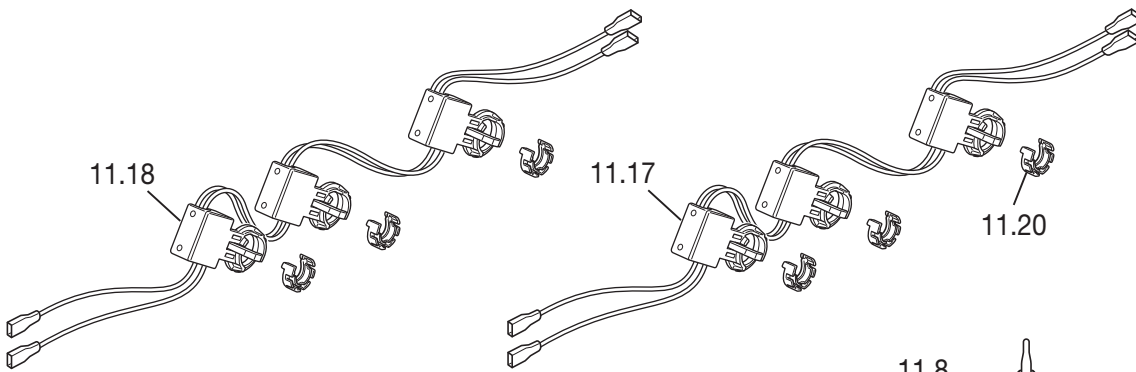
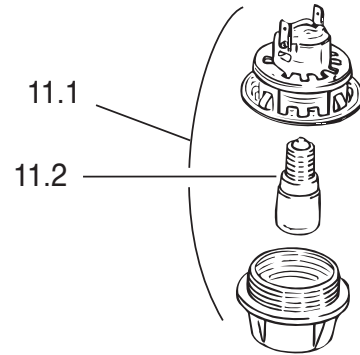
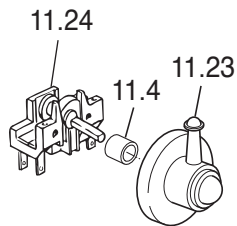
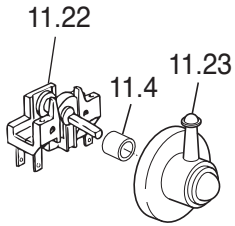
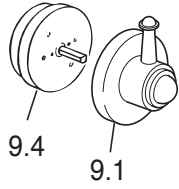
Ref.	Part description	Product code	
		<b>C9T0CP015X</b>	
		Feature	Part code
6.1	Burner knob		2189002357
6.4	Tap	Ø 0.28	106266
		Ø 0.33	106267
		Ø 0.43	106268
		Ø 0.63	106269
6.5	Tap fixing screw		001282
6.6	Tap bracket		094653
6.8A	Burner-cup	A	215465
6.8SR	Burner-cup	SR	215466
6.8R	Burner-cup	R	215467
6.9R	Burner head	R	068111001
6.9SR	Burner head	SR	068110001
6.9A	Burner head	A	068109001
6.10A	Burner-cap	A	216129005A
6.10SR	Burner-cap	SR	216130005A
6.10R	Burner-cap	R	216131005A
6.12	Injector	Ø 0.72 - G20	101234
		Ø 0.97 - G20	101235
		Ø 1.15 - G20	101236
		Ø 0.50 - G30	101180
		Ø 0.65 - G30	101181
		Ø 0.85 - G30	101182
6.14	Elbow gasket		053024.1
6.15	Burner-cup	TR	215469
6.17	Injector	Ø 1.35 - G20	101237
		Ø 0.95 - G30	101233
6.18	LPG connection		027014
6.19	Inlet pipe - front right	A	029626
6.20	Inlet pipe - rear right	SR	029625
6.21	Inlet pipe - rear central	R	029624
6.22	Inlet pipe - front central	A	029623
6.23	Inlet pipe - rear left	SR	029622
6.24	Inlet pipe - front left	TR	029621
6.25	Burner head	TR	068112001
6.28	Natural gas connection		027013
6.29	Connection		067026
6.36	Burner-cap inside	TR	216132005A
6.37	Burner-cap outside	TR	216133005A
6.38	Burner-cup gasket		053078
6.39	Stopper		040064



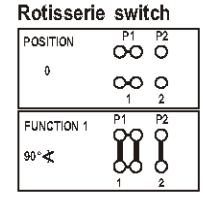
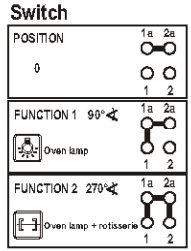
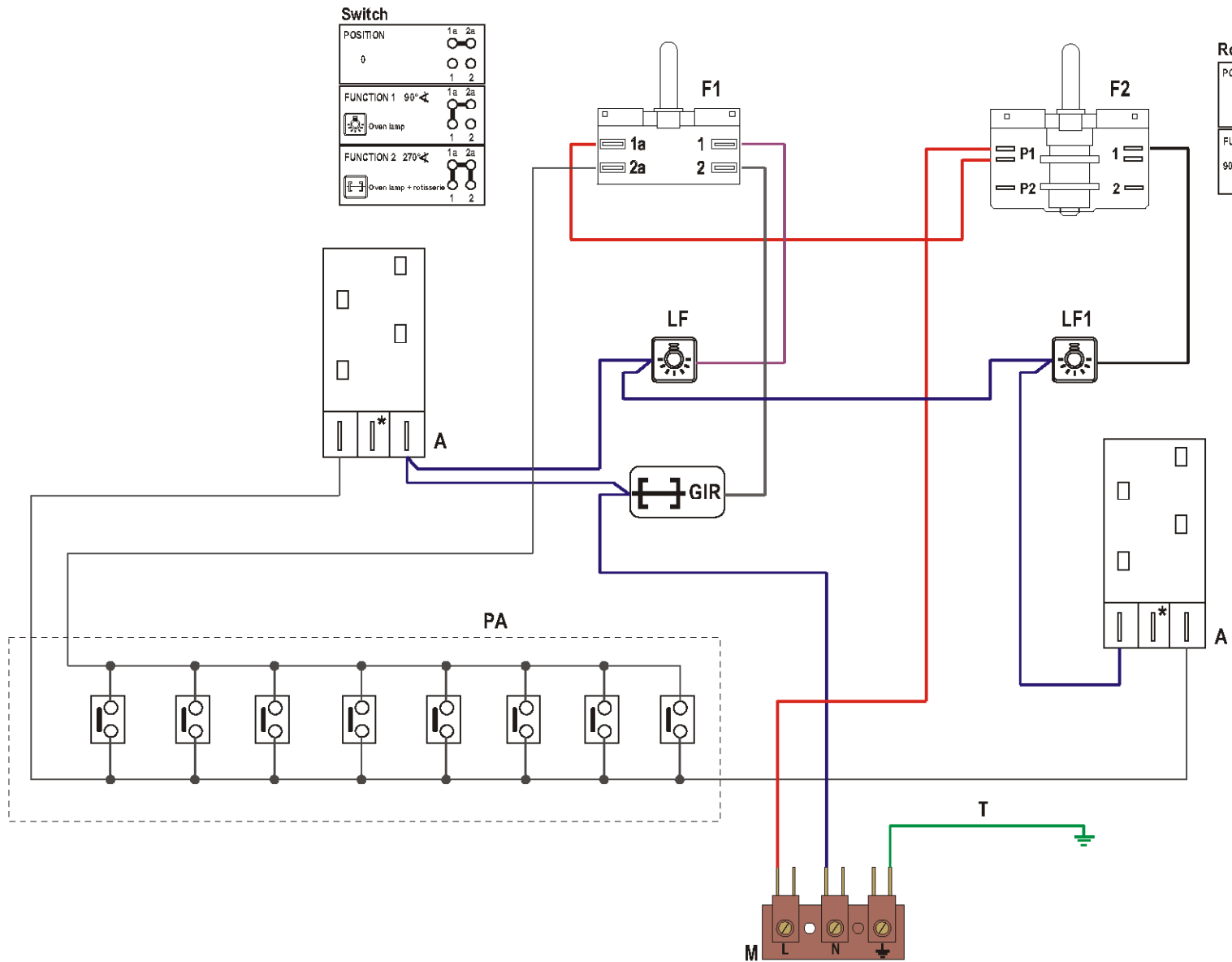
Ref.	Part description	Product code	
		<b>C9T0CP015X</b>	
		Feature	Part code
7.6	Lighting tube		103057
7.9	Rotisserie support		217539
7.10	Rotisserie spear		080025+037012
7.11	Rotisserie motor		079014
7.12	Grill-pan grid handle		037144
7.18	Retaining ring		003043
7.28	Grill deflector		103800
7.29	Oven floor		47E9T002K
7.30	Shelf support		217307
7.31	Oven tray		48B9S001K
7.32	Oven shelf		217542
7.33	Grill-pan grid		217537
8.1	Knob		2189002357
8.4	Knob sleeve		085081
8.10	Grill burner		215473
8.11	Oven inlet pipe		029901
8.12	Gasket		053045
8.13	Screw		001248
8.14	Grill burner injector	Ø 0.70 - G30	101066
	Oven burner injector	Ø 1.05 - G20	101209
8.15	Oven burner injector	Ø 0.72 - G30	101071
	Grill burner injector	Ø 1.10 - G20	101157
8.16	Oven burner		215472
8.17	Ignition switch		1031136
8.20	Bottom element support		4219T03Z
8.21	Thermostat		066166
8.22	Bracket		094503
8.25	Elbow		067024
8.26	Retaining ring		003039
8.27	Injector support		094471
8.28	Grill inlet pipe		029902
8.31	Igniter	L=1300	084050
8.36	Spring		035098
8.37	Oven thermocouple	L=1250	107049
8.38	Grill thermocouple	L=1000	107047
8.40	Clip		213015



Ref.	Part description	Product code	
		<b>C9T0CP015X</b>	
		Feature	Part code
7.1	Shelf support		217291
7.2	Grill deflector		103799
7.3	Oven tray		48B6101K
7.4	Oven shelf		217220
7.5	Oven floor		47EN601K
7.6	Lighting tube		103057
7.12	Grill-pan grid handle		037144
7.13	Grill-pan grid		217397
7.18	Retaining ring		003043
8.1	Knob		2189002357
8.4	Knob sleeve		085081
8.9	Gasket		053045
8.10	Grill burner		215460
8.11	Oven inlet pipe		029899
8.13	Screw		001248
8.14	Grill burner injector	Ø 0.80 - G30	101112
		Ø 1.20 - G20	101081
8.15	Oven burner injector	Ø 0.92 - G30	101080
		Ø 1.40 - G20	101091
8.16	Oven burner		215490
8.17	Ignition switch		1031136
8.20	Bottom element support		4219106Z
8.21	Thermostat		066164
8.22	Bracket		094503
8.25	Elbow		067025
8.26	Retaining ring		003039
8.28	Grill inlet pipe		029900
8.31	Grill burner igniter	L = 1300	084050
8.32	Oven burner igniter	L = 1700	084052
8.36	Spring		035098
8.37	Oven thermocouple	L=1250	107046
8.38	Grill thermocouple	L=1000	107047
8.40	Clip		213015



Ref.	Part description	Product code	
		<b>C9T0CP015X</b>	
		Feature	Part code
9.1	Alarm knob		2189002349
9.4	60' alarm		074009
11.1	Lamp holder		072003
11.2	Lamp		073013001
11.4	Knob sleeve		085081
11.5	6 burners ignition coil		082048.1
11.6	Burner ignition coil cable		103288
11.7	Igniter spring		035094
11.8	Igniter	L = 630	084029
		TR - L = 500	084033
11.11	Terminal block protection		103230.1A
11.14	Wire fastener		052008
11.15	Cord	3x0,75	054066
11.16	Wiring		1131476
11.17	Ignition switches - Left		1031245
11.18	Ignition switches - Right		1031247
11.20	Retaining ring		003077
11.22	Oven light switch		050058
11.23	Switch oven knob		2189002349
11.24	Oven light/roisserie switch		050035
11.32	Terminal block	25A - 3P	051049
11.38	Ignition coil support		094413
-	LPG gas conversion kit		6109T60001
-	Instruction booklet		1102340



- ELECTRIC DIAGRAM KEY**
- A IGNITION COILS
  - PA IGNITION SWITCHES GROUP
  - M TERMINAL BLOCK
  - T EARTH CONNECTION
- 
- RIGHT OVEN**
- F1 SWITCH
  - LF OVEN LAMP
  - GIR ROTISSERIE
- 
- LEFT OVEN**
- F2 SWITCH
  - LF1 OVEN LAMP



**CR9210**

Caple 900 GAS Range 2 Cavity