

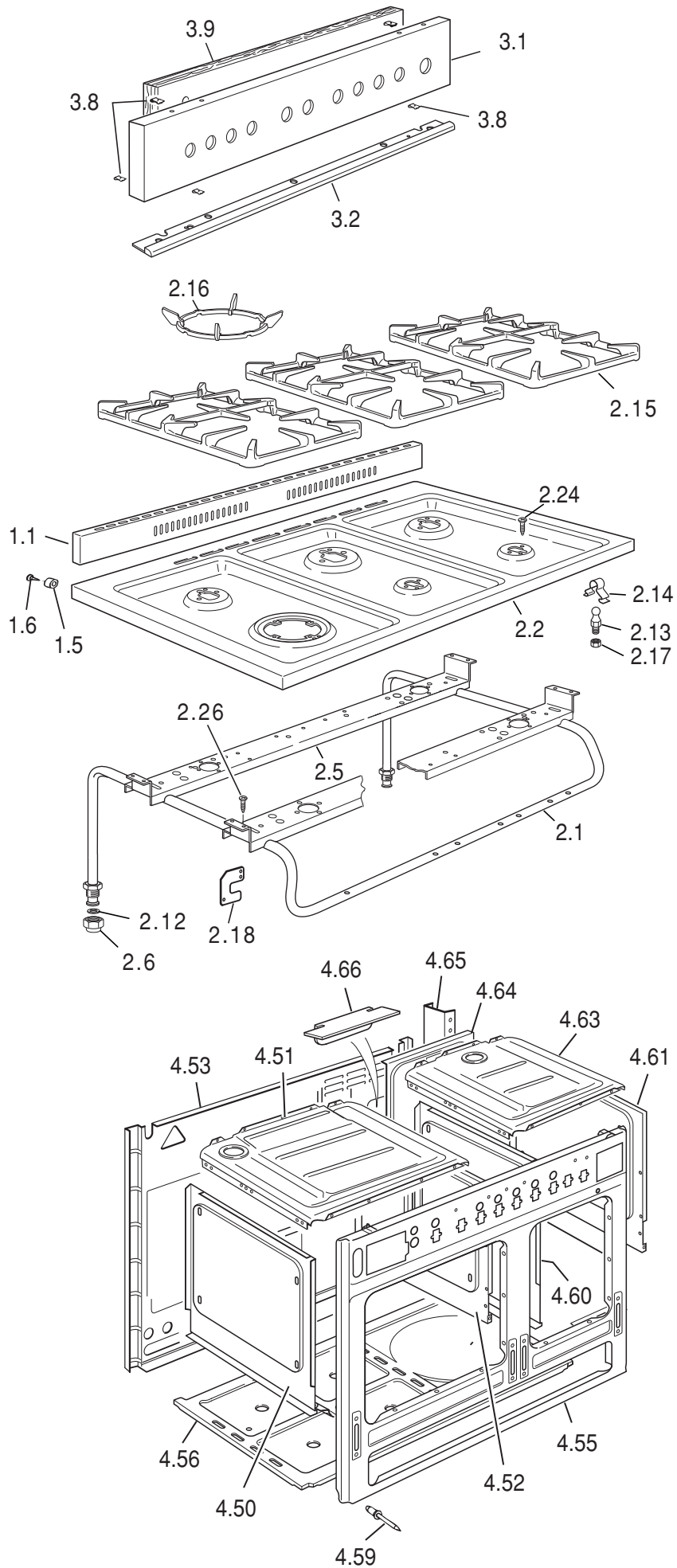


CR9210

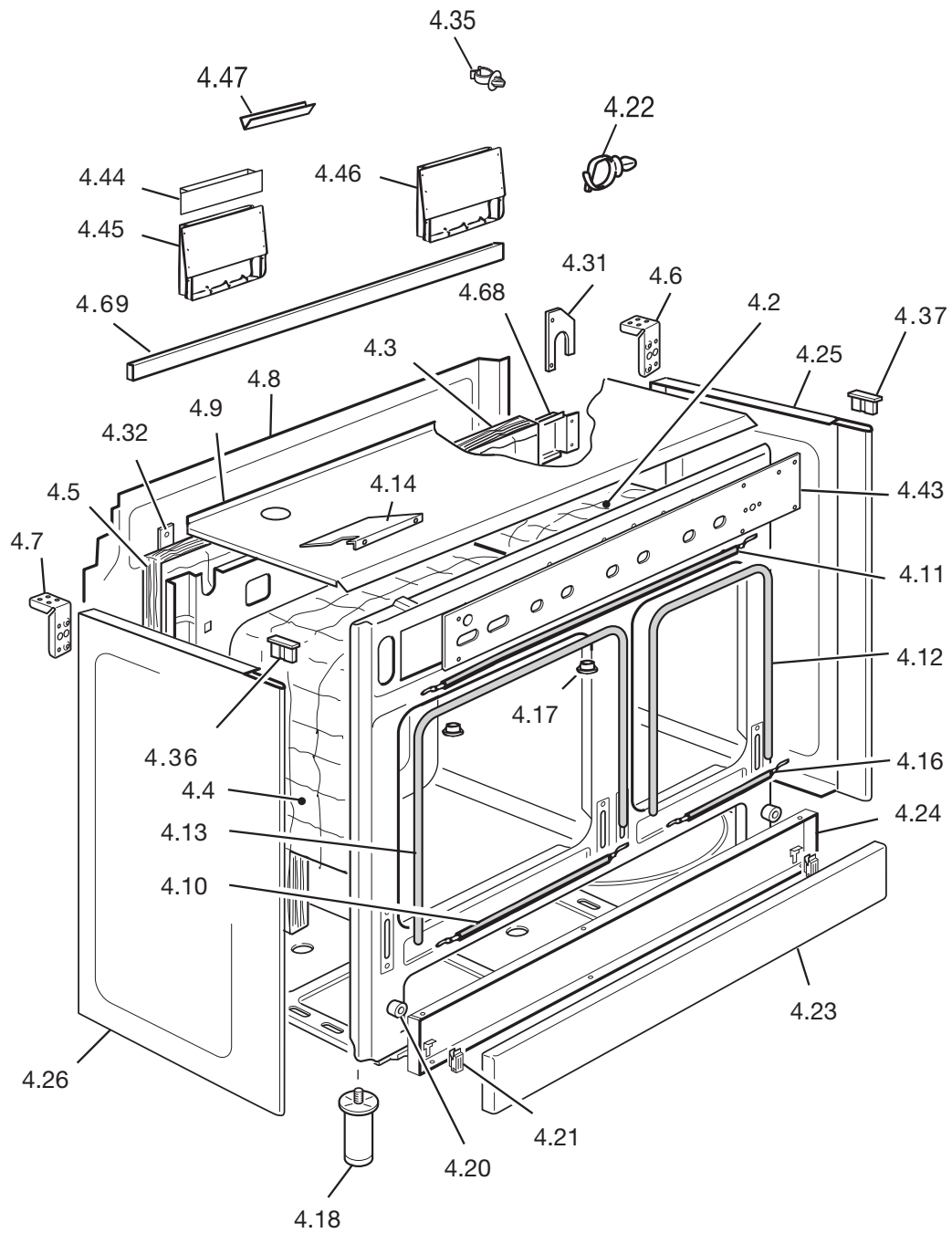
Caple 900 GAS Range 2 Cavity



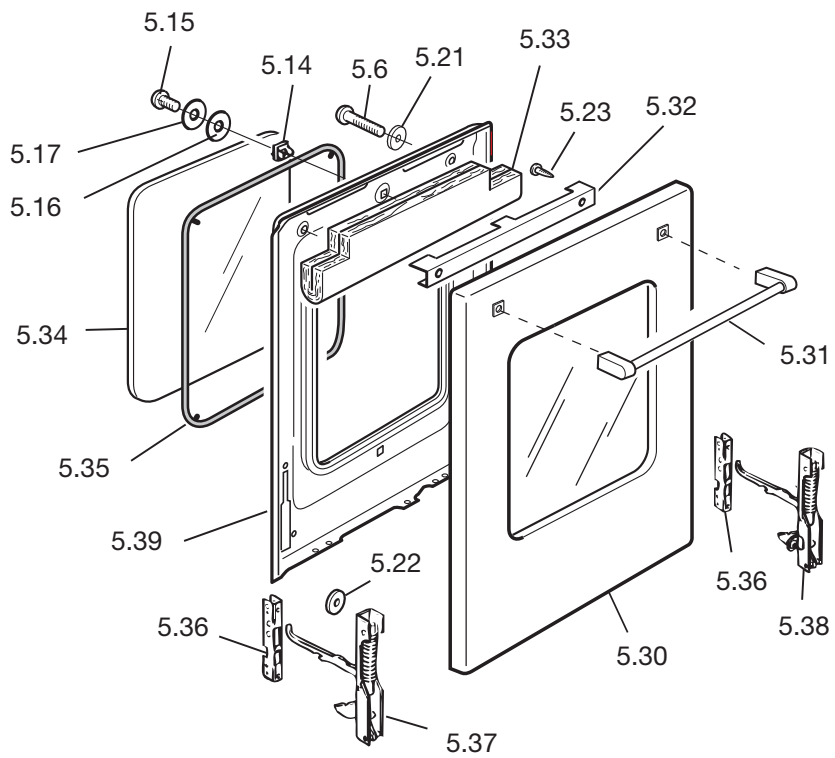
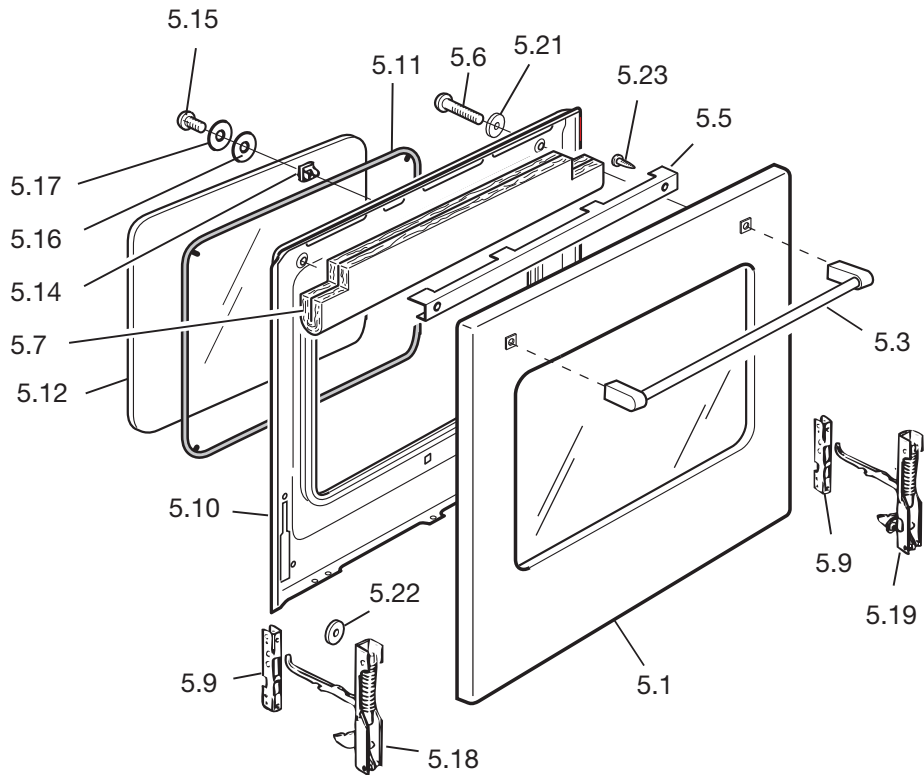
TECHNICAL INFORMATION



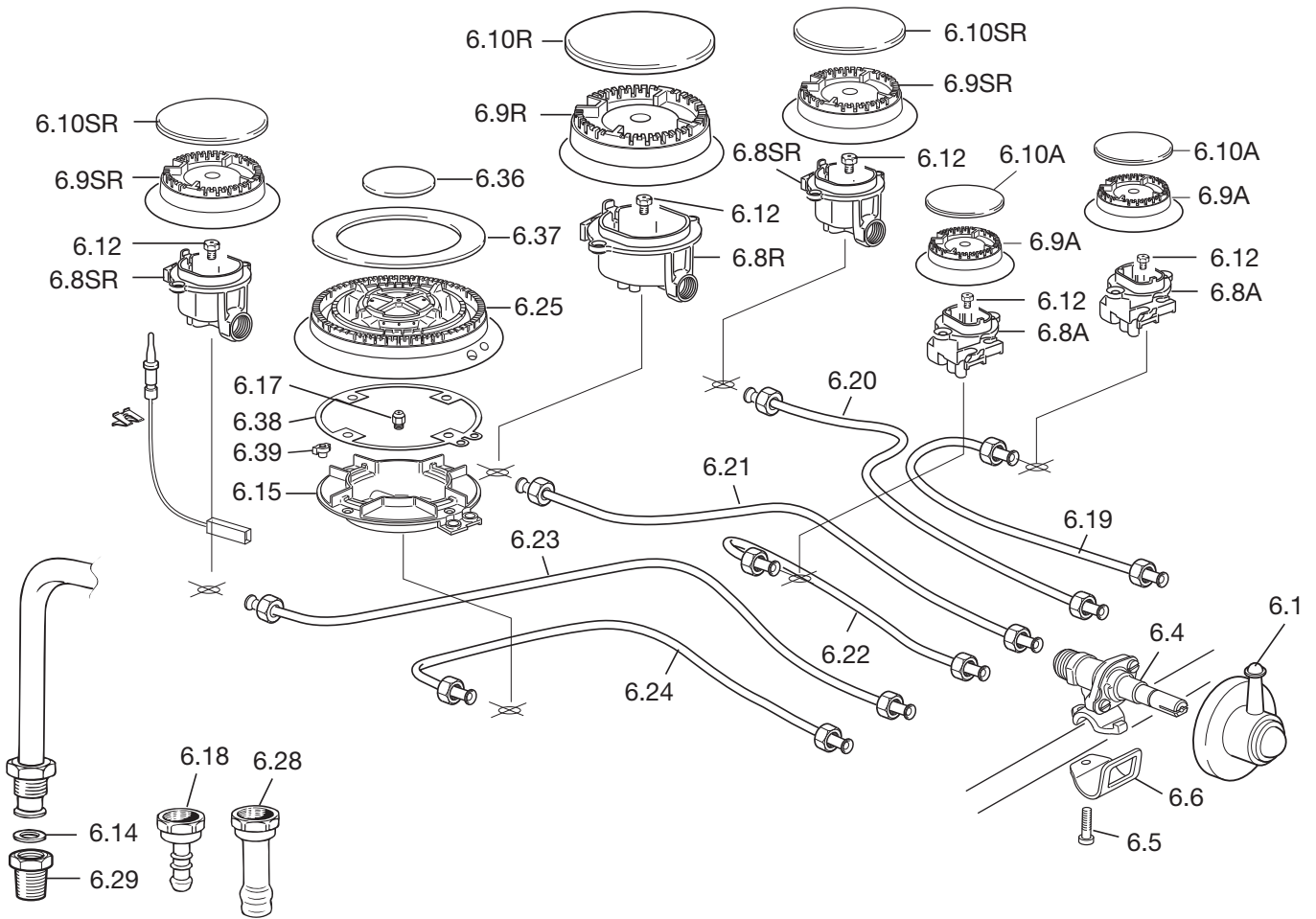
Ref.	Part description	Product code		Product code	
		C9T0CP008X		C9T0CP011X	
		Feature	Part code	Feature (*)	Part code (*)
1.1	Rear trim		103667063		
1.5	Plug		040041001		
1.6	Stainless steel screw		001007		
2.1	Manifold		3429T60002		3409T60004
2.2	Cooktop		3319S602S		
2.5	Burners support		51B9S01		
2.6	Inlet pipe plug		027015		
2.12	Gasket		053024.1		
2.13	Pin		103615		
2.14	Spring		035100		
2.15	Pan-support		217530		
2.16	Wok grid		217498		
2.17	Nut		214062		
2.18	Fixing plate		094254		094473
2.24	Screw		001234.1		
2.26	Screw		001167		
3.1	Control panel		35C9171SCP		35N9171SCP
3.2	Control panel trim		103631		103760
3.8	Clips		213007		
3.9	Control panel insulation		030114.1		030208.1
4.50	Oven side panel (Left)		45EN6106K		
4.51	Top oven panel		45EN6101K		
4.52	Oven side panel (Right)		45EN6107K		
4.53	Body rear panel		45H9T003K		
4.55	Body front panel		45B9S002K		
4.56	Lower element cover		45K96004Z		
4.59	Rivet		211012		
4.60	Oven side panel (Left)		45E65104K		
4.61	Oven side panel (Right)		45E65105K		
4.63	Top oven panel		45E9T002K		
4.64	Body rear panel		45H9T002K		
4.65	Right oven shelter		4219S02Z		
4.66	Right oven lower rear panel		4219T01Z		



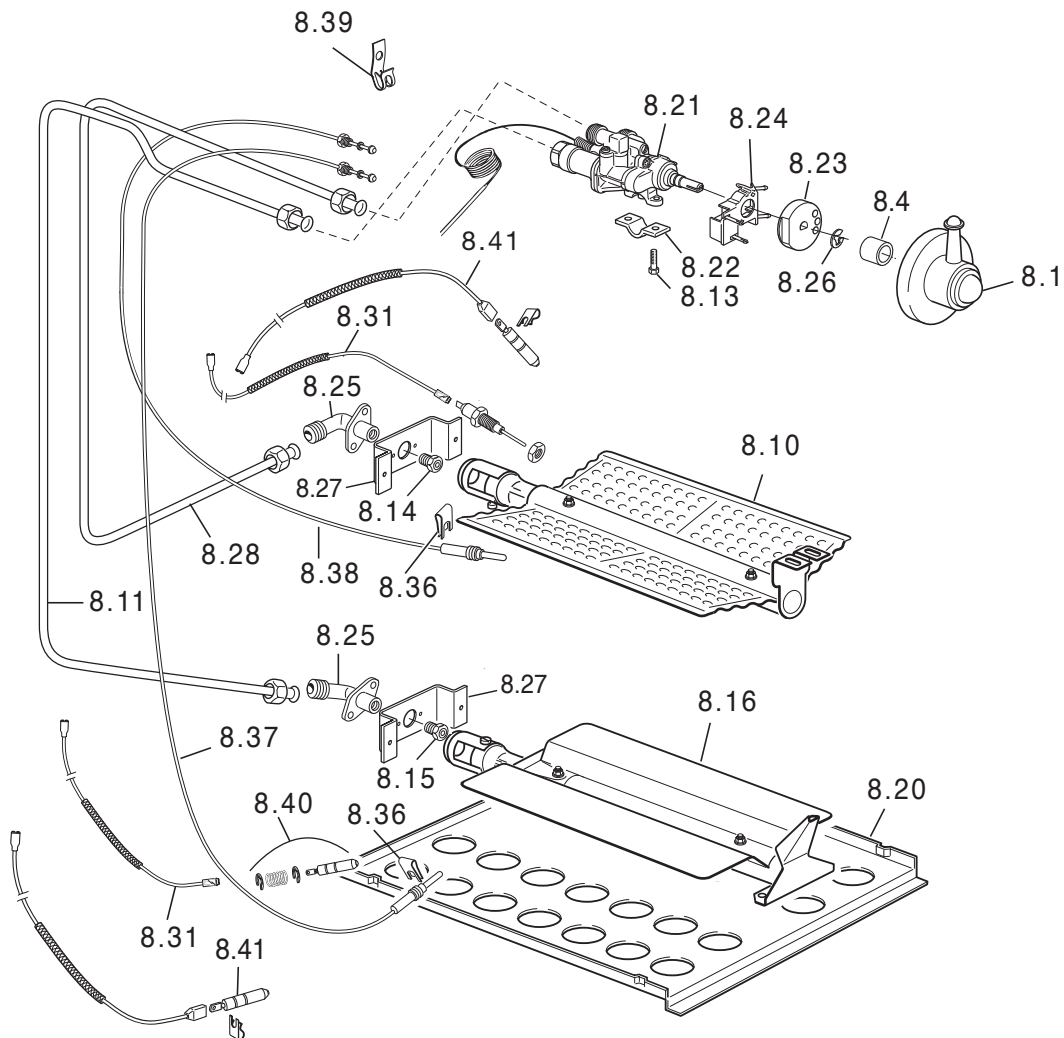
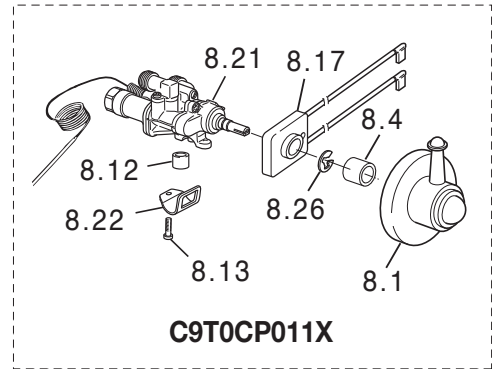
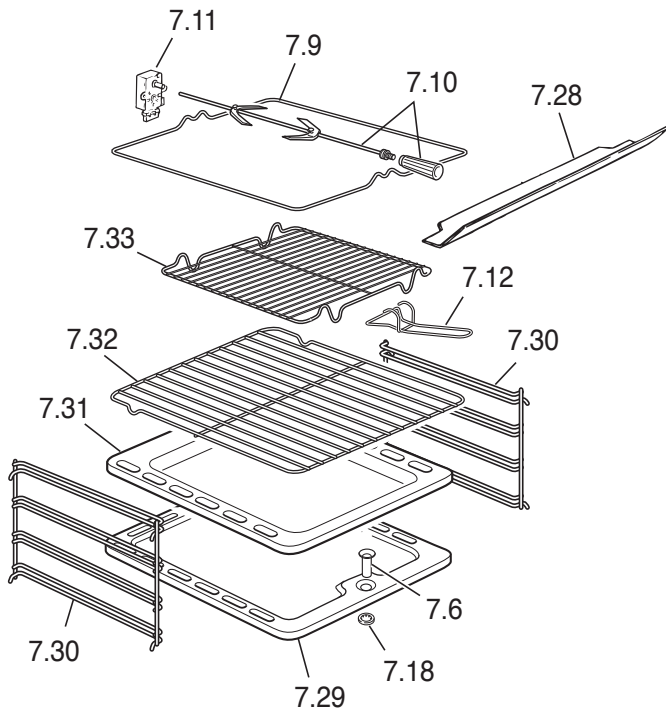
Ref.	Part description	Product code		Product code	
		C9T0CP008X		C9T0CP011X	
		Feature	Part code	Feature (*)	Part code (*)
4.2	Oven insulation		030142.1		
4.3	Rear insulation		030143.1		
4.4	Oven insulation		030113.1		
4.5	Rear insulation		030085.1		
4.6	Rear right coupler		094417DX		
4.7	Rear left coupler		094417SX		
4.8	Rear panel		4119S01		
4.9	Upper shelter		4219T01Z		
4.10	Top/bottom seal		053074		
4.11	Top seal		053098		
4.12	Seal		053093		
4.13	Seal		053039		
4.14	Switch protection bracket		094407		
4.16	Bottom seal		053094		
4.17	Sleeve		085044		
4.18	Shim		103564		
4.20	Buffer		040061		
4.21	Hinge		063075		
4.22	Cable support		103672		
4.23	Front panel		371V9607YS		371V969SCP
4.24	Inside panel		373V9601M		
4.25	Side panel right		36C91D1S		
4.26	Side panel left		36C91S1S		
4.31	Bracket		094412		
4.32	Rear insulation support		4219604Z		
4.35	Tube retainer		531533		
4.36	Left stopper		081067/NS		081084/NS
4.37	Right stopper		081068/NS		081083/NS
4.43	Control panel protection		103797		
4.44	Funnel prolongement		46A1004Z		46A9S03Z
4.45	Left funnel		46A6501Z		
4.46	Right funnel		46A9T01Z		
4.47	Drip flap		4119T01		
4.68	Rear insulation support		51B9S03		
4.69	Rear panel top bar		4119S02		



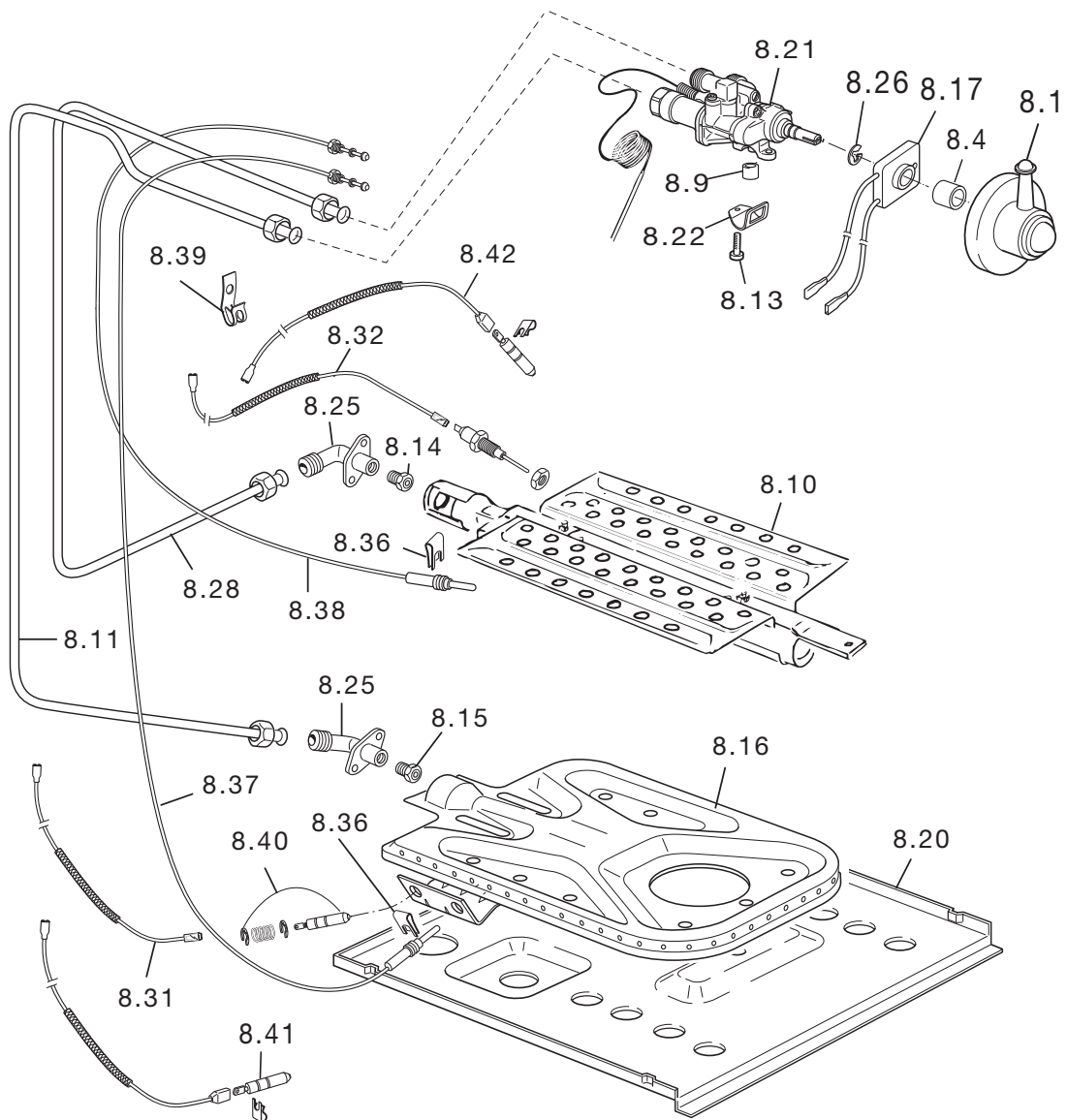
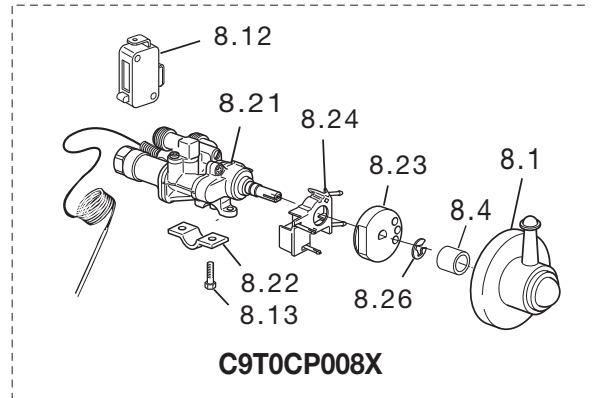
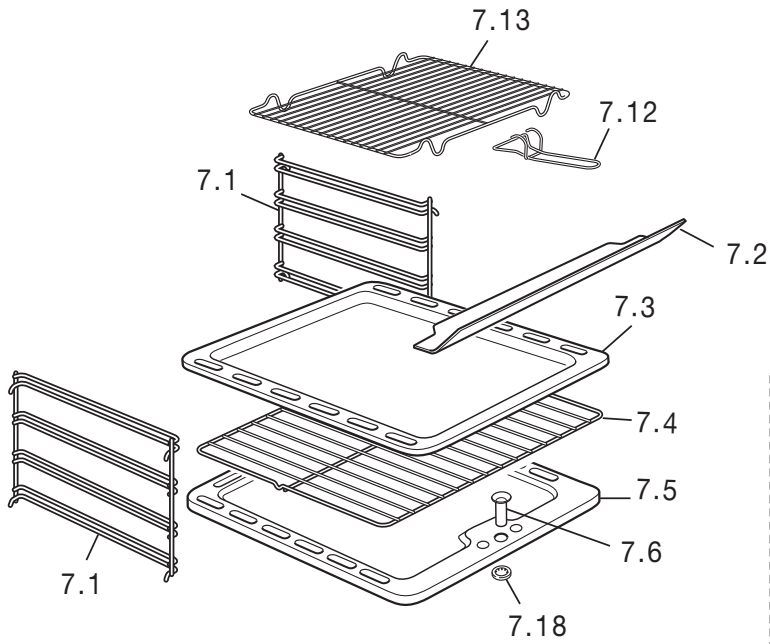
Ref.	Part description	Product code		Product code	
		C9T0CP008X		C9T0CP011X	
		Feature	Part code	Feature (*)	Part code (*)
5.1	Door glass		032912158B		
5.3	Door handle		037215062		
5.5	Fixing bar		51B9102		
5.6	Screw		001056		
5.7	Door insulation		030118.1		
5.9	Door hinge (female)		063109		
5.10	Door panel	R 5,7x15	373F9103K		
5.11	Gasket		053084		
5.12	Inner glass		0311000.1T		
5.14	Nut		214021		
5.15	Screw		001143		
5.16	Washer		003035		
5.17	Washer		103205		
5.18	Left door hinge (male)		063059/ZA		
5.19	Right door hinge (male)		063058/ZA		
5.21	Washer		003030		
5.22	Washer	R 5,7x15	003041		
5.23	Screw		001083		
5.30	Door glass		0329S2160B		
5.31	Door handle		037216062		
5.32	Fixing bar		51B9S04		
5.33	Door insulation		030130.1		
5.34	Inner glass		0312159T		
5.35	Gasket		053096		
5.36	Door hinge (female)		063109		
5.37	Left door hinge (male)		063111		
5.38	Right door hinge (male)		063110		
5.39	Door panel		373F9S02K		



Ref.	Part description	Product code		Product code	
		C9T0CP008X		C9T0CP011X	
		Feature	Part code	Feature (*)	Part code (*)
6.1	Burner knob		2189002357		
6.4	Tap	Ø 0.27	106240		
		Ø 0.32	106241		
		Ø 0.42	106242		
		Ø 0.65	106243		
6.5	Tap fixing screw		001233		
6.6	Tap bracket		094382		
6.8A	Burner-cup	A	215465		
6.8SR	Burner-cup	SR	215466		
6.8R	Burner-cup	R	215467		
6.9R	Burner head	R	068111001		
6.9SR	Burner head	SR	068110001		
6.9A	Burner head	A	068109001		
6.10A	Burner-cap	A	216129005A		
6.10SR	Burner-cap	SR	216130005A		
6.10R	Burner-cap	R	216131005A		
6.12	Injector	Ø 0.72 - G20	101234		
		Ø 0.97 - G20	101235		
		Ø 1.15 - G20	101236		
6.12	Injector	Ø 0.50 - G30	101180		
		Ø 0.65 - G30	101181		
		Ø 0.85 - G30	101182		
6.14	Elbow gasket		053024.1		
6.15	Burner-cup	TR	215469		
6.17	Injector	Ø 1.35 - G20	101237		
		Ø 0.95 - G30	101233		
6.18	LPG connection		027014		
6.19	Inlet pipe - front right	A	029626		
6.20	Inlet pipe - rear right	SR	029625		
6.21	Inlet pipe - rear central	R	029624		
6.22	Inlet pipe - front central	A	029623		
6.23	Inlet pipe - rear left	SR	029622		
6.24	Inlet pipe - front left	TR	029621		
6.25	Burner head	TR	068112001		
6.28	Natural gas connection		027013		
6.29	Connection		067026		
6.36	Burner-cap inside	TR	216132005A		
6.37	Burner-cap outside	TR	216133005A		
6.38	Burner-cup gasket		053078		
6.39	Stopper		040064		



Ref.	Part description	Product code		Product code	
		C9T0CP008X		C9T0CP011X	
		Feature	Part code	Feature (*)	Part code (*)
7.6	Lighting tube		103057		
7.9	Rotisserie support		217539		
7.10	Rotisserie spear		080025+037012		
7.11	Rotisserie motor		079014		
7.12	Grill-pan grid handle		037144		
7.18	Retaining ring		003043		
7.28	Grill deflector		103800		
7.29	Oven floor		47E9T002K		
7.30	Shelf support		217307		
7.31	Oven tray		48B9S001K		
7.32	Oven shelf		217542		
7.33	Grill-pan grid		217537		
8.1	Knob		2189002357		
8.4	Knob sleeve		085081		
8.10	Grill burner		215473		
8.11	Oven inlet pipe		029756		029901
8.12	Gasket		NO		053045
8.13	Screw		001189		001248
8.14	Grill burner injector	Ø 0.70 - G30	101066		
		Ø 1.05 - G20	101209		
8.15	Oven burner injector	Ø 0.72 - G30	101071		
		Ø 1.10 - G20	101157		
8.16	Oven burner		215472		
8.17	Ignition switch		NO		1031136
8.20	Bottom element support		4219T03Z		
8.21	Thermostat		066146		066166
8.22	Bracket		094316		094503
8.23	Cam		103392		NO
8.24	Switch support		103439		NO
8.25	Elbow		067024		
8.26	Retaining ring		003039		003040
8.27	Injector support		094471		
8.28	Grill inlet pipe		029757		029902
8.31	Cable A.T	L=1300	103290		NO
8.36	Spring		035098		
8.37	Oven thermocouple	L=1250	107049		
8.38	Grill thermocouple	L=1000	107047		107069
8.39	Clip		213015		
8.40	Oven burner igniter		084027		NO
8.41	Electrode		NO		084050

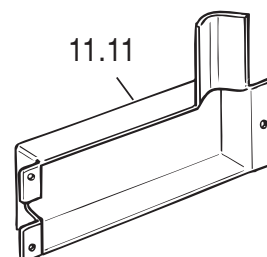
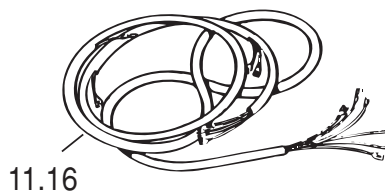
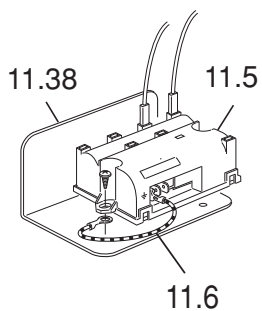
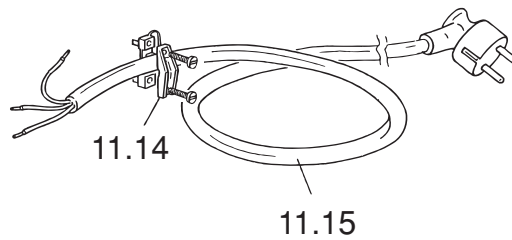
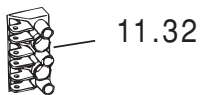
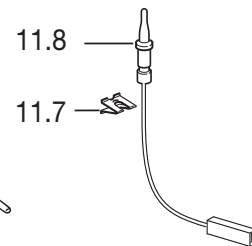
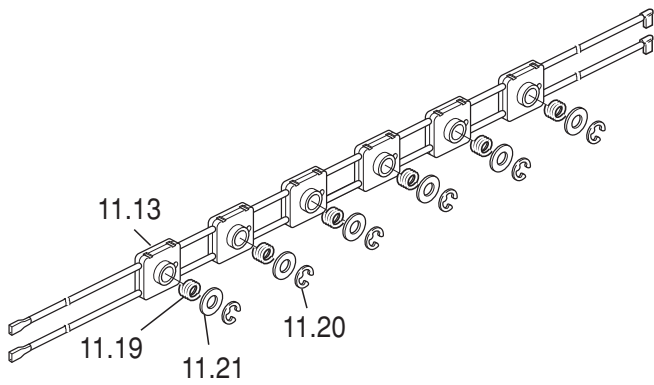
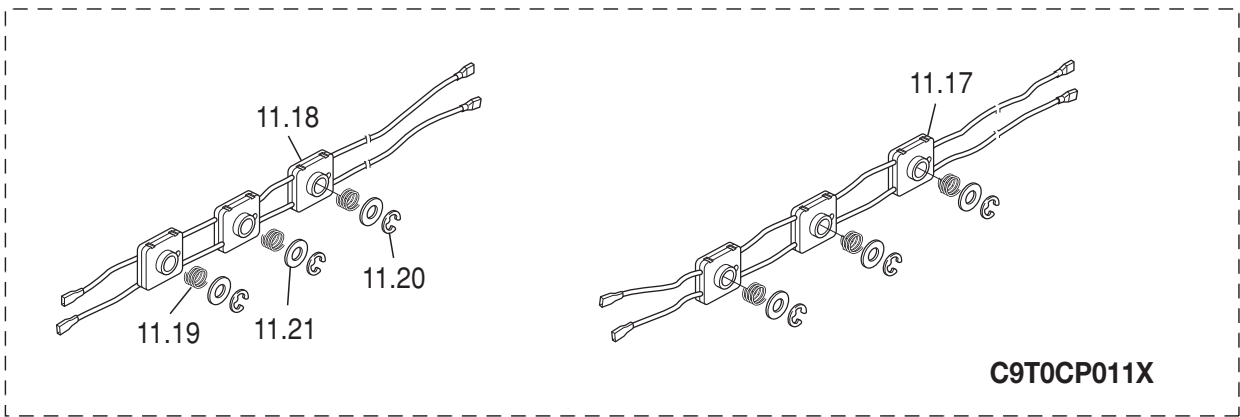
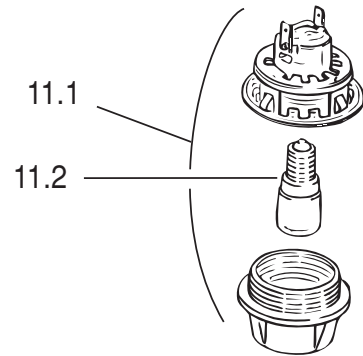
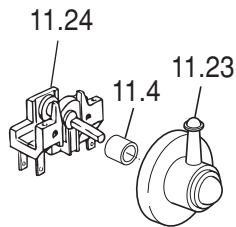
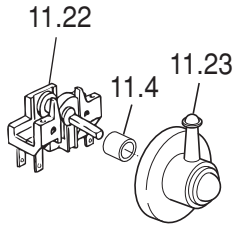
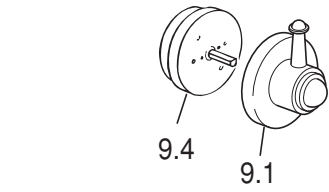


Ref.	Part description	Product code		Product code	
		C9T0CP008X		C9T0CP011X	
		Feature	Part code	Feature (*)	Part code (*)
7.1	Shelf support		217291		
7.2	Grill deflector		103799		
7.3	Oven tray		48B6101K		
7.4	Oven shelf		217220		
7.5	Oven floor		47EN601K		
7.6	Lighting tube		103057		
7.12	Grill-pan grid handle		037144		
7.13	Grill-pan grid		217397		
7.18	Retaining ring		003043		
8.1	Knob		2189002357		
8.4	Knob sleeve		085081		
8.9	Gasket		NO		053045
8.10	Grill burner		215459		215460
8.11	Oven inlet pipe		029670		029899
8.12	Microswitch		077073		NO
8.13	Screw		001189		001248
8.14	Grill burner injector	Ø 0.80 - G30	101112		
		Ø 1.20 - G20	101081		
8.15	Oven burner injector	Ø 0.92 - G30	101080		
		Ø 1.40 - G20	101091		
8.16	Oven burner		215431		215490
8.17	Ignition switch		NO		1031136
8.20	Bottom element support		4219106Z		
8.21	Thermostat		066134		066164
8.22	Bracket		094316		094503
8.23	Cam		103392		NO
8.24	Switch support		103439		NO
8.25	Elbow		067025		
8.26	Retaining ring		003039		003040
8.28	Grill inlet pipe		029671		029900
8.31	Cable A.T 91/oven	L=1300	103290		NO
8.32	Cable A.T grill	L=1700	103289		NO
8.36	Spring		035098		
8.37	Oven thermocouple	L=1250	107046		
8.38	Grill thermocouple	L=1000	107047		107069
8.39	Clip		213015		
8.40	Oven burner igniter		084027		NO
8.41	Oven electrode		NO		084052
8.42	Grill electrode		NO		084050

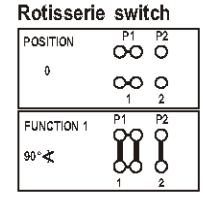
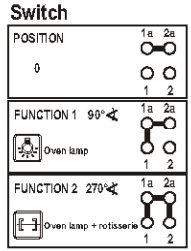
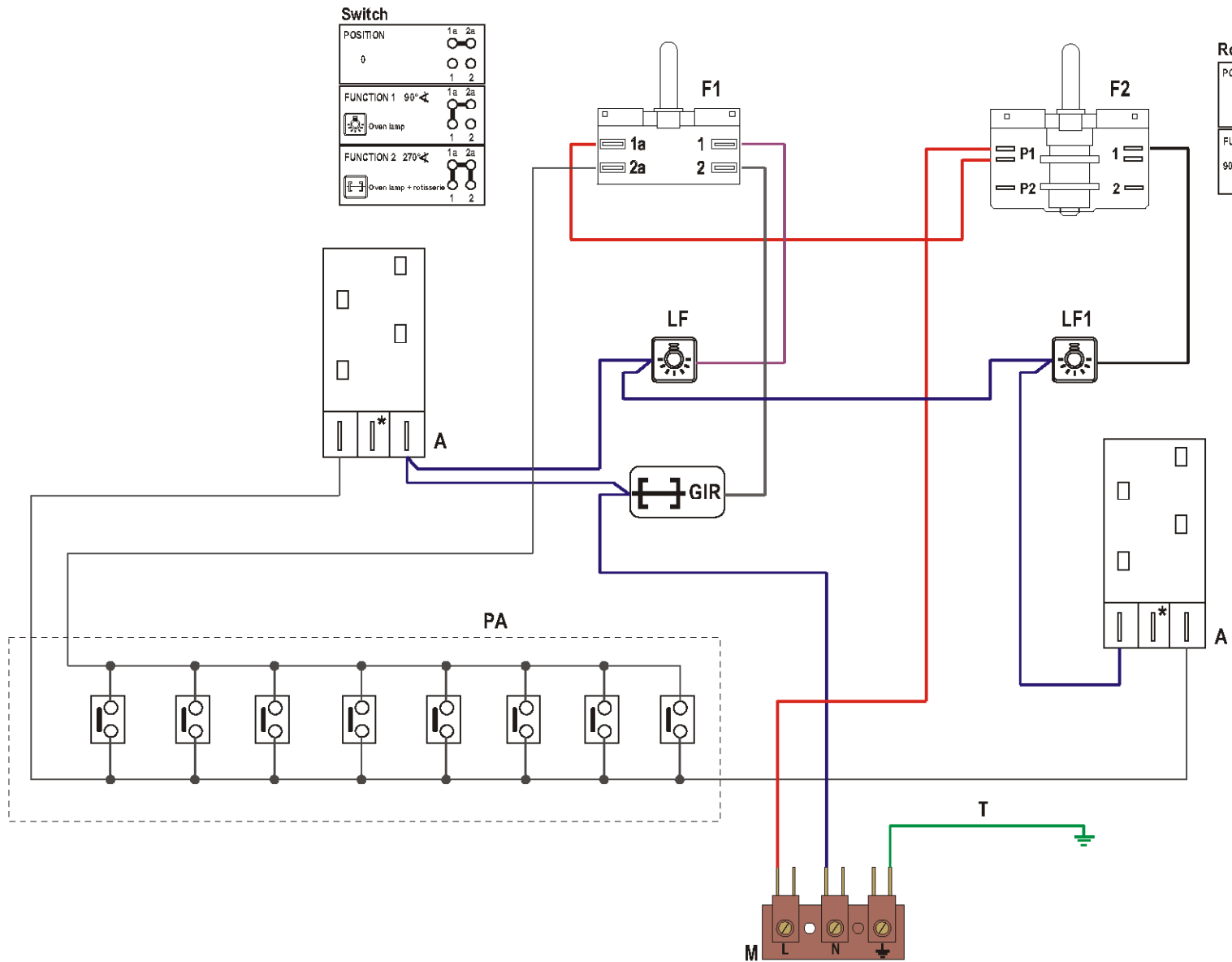
■ CAPLE ■

CR 9210

tav. 7
cat. 18.C3503.2



Ref.	Part description	Product code		Product code	
		C9T0CP008X		C9T0CP011X	
		Feature	Part code	Feature (*)	Part code (*)
9.1	Alarm knob		2189002349		
9.4	60' alarm		074009		
11.1	Lamp holder		072003		
11.2	Lamp		073013001		
11.4	Knob sleeve		085081		
11.5	6 burners ignition coil		082048		082048.1
11.6	Burner ignition coil cable		103288		
11.7	Igniter spring		035094		
11.8	Igniter	L = 630	084029		
		TR - L = 500	084033		
11.11	Terminal block protection		103230.1		103230.1A
11.13	Ignition switches		103796		NO
11.14	Wire fastener		052002		052008
11.15	Cord	3x0,75	054066		
11.16	Wiring		1131476		
11.17	Ignition switches - Left		NO		1031152
11.18	Ignition switches - Right		NO		1031183
11.19	Ignition switches spring		035080		
11.20	Retaining ring		003039		
11.21	Washer		003038		
11.22	Oven light switch		050058		
11.23	Switch oven knob		2189002349		
11.24	Oven light/roisserie switch		050035		
11.32	Terminal block	16A - 3P	051039	25A - 3P	051049
11.38	Ignition coil support		094413		
-	LPG conversion kit		6109T60001		
-	Instruction booklet		1102340		



- ELECTRIC DIAGRAM KEY**
- A IGNITION COILS
 - PA IGNITION SWITCHES GROUP
 - M TERMINAL BLOCK
 - T EARTH CONNECTION
-
- RIGHT OVEN**
- F1 SWITCH
 - LF OVEN LAMP
 - GIR ROTISSERIE
-
- LEFT OVEN**
- F2 SWITCH
 - LF1 OVEN LAMP



CR9210

Caple 900 GAS Range 2 Cavity