

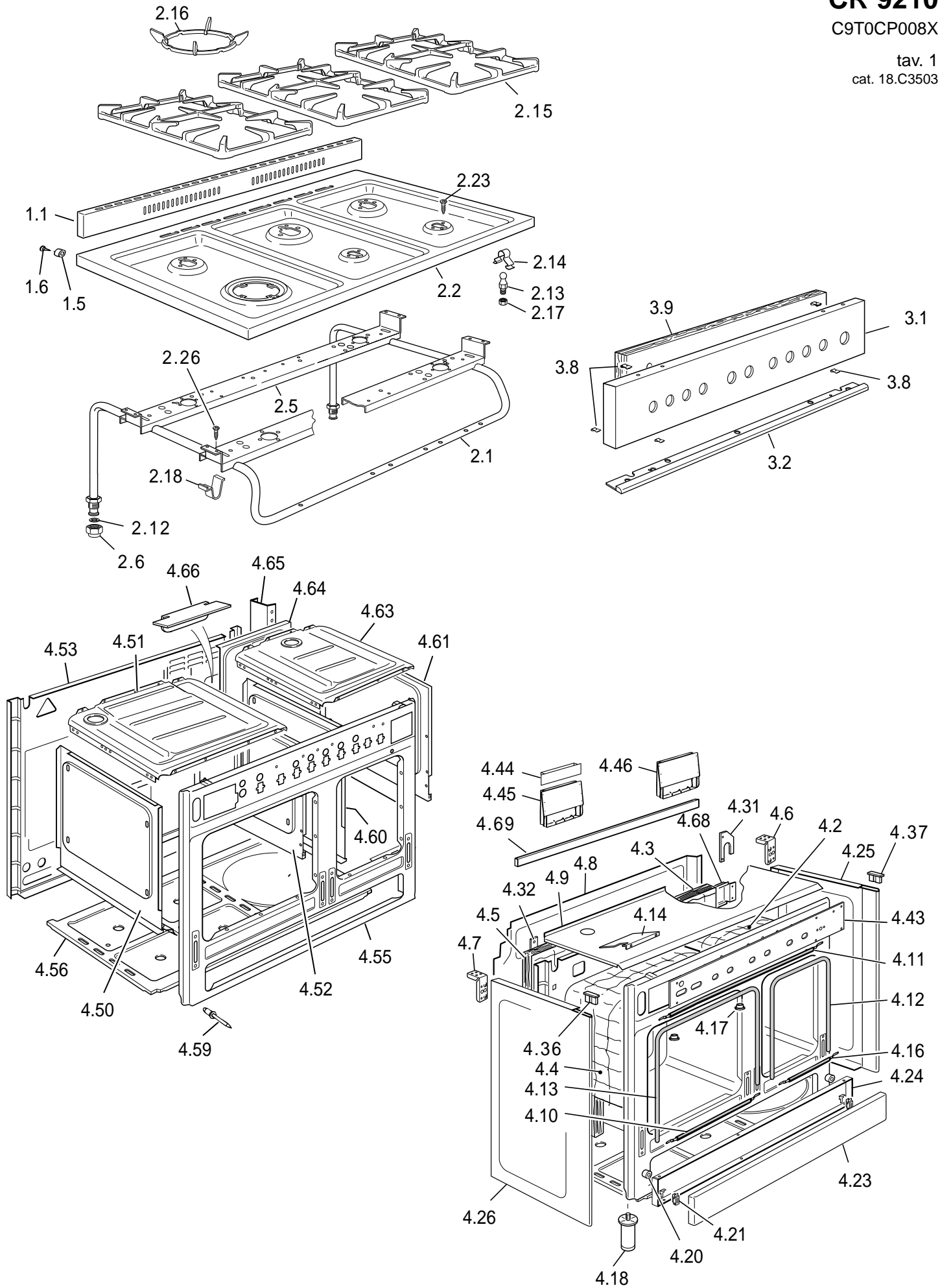


CR9210

Caple 900 GAS Range 2 Cavity



TECHNICAL INFORMATION



REF.	CODE	DESCRIPTION	REF.	CODE	DESCRIPTION
1.1	103667063	Rear trim	4.50	45EN6106K	Oven side panel (Left)
1.5	040041001	Plug	4.51	45EN6101K	Top oven panel
1.6	001007	Stainless steel screw	4.52	45EN6107K	Oven side panel (Right)
2.1	3429T60002	Manifold	4.53	45H9T003K	Body rear panel
2.2	3319S602S	Cooktop	4.55	45B9S002K	Body front panel
2.5	51B9S01	Burners support	4.56	45K96004Z	Lower element cover
2.6	027015	Inlet pipe plug	4.59	211012	Rivet
2.12	053024.1	Gasket	4.60	45E65104K	Oven side panel (Left)
2.13	103615	Pin	4.61	45E65105K	Oven side panel (Right)
2.14	035100	Spring	4.63	45E9T002K	Top oven panel
2.15	217530	Pan-support	4.64	45H9T002K	Body rear panel
2.16	217498	Wok grid	4.65	4219S02Z	Right oven shelter
2.17	214062	Nut	4.66	4219T01Z	Right oven lower rear panel
2.18	094473	Fixing plate	4.68	51B9S03	Rear insulation support
2.23	001234.1	Screw	4.69	4119S02	Rear panel top bar
2.26	001167	Screw			
3.1	35N9171SCP	Control panel			
3.2	103760	Control panel trim			
3.8	213007	Clips			
3.9	030114.1	Control panel insulation			
4.2	030142.1	Oven insulation			
4.3	030143.1	Rear insulation			
4.4	030113.1	Oven insulation			
4.5	030085.1	Rear insulation			
4.6	094417DX	Rear right coupler			
4.7	094417SX	Rear left coupler			
4.8	4119S01	Rear panel			
4.9	4219T01Z	Upper shelter			
4.10	053074	Top/bottom seal			
4.11	053098	Top seal			
4.12	053093	Seal			
4.13	053039	Seal			
4.14	094407	Switch protection bracket			
4.16	053094	Bottom seal			
4.17	085044	Sleeve			
4.18	103564	Shim			
4.20	040061	Buffer			
4.21	063075	Hinge			
	103672	Cable support			
4.23	371V969SCP	Front panel			
4.24	373V9601M	Inside panel			
4.25	36C91D1S	Side panel right			
4.26	36C91S1S	Side panel left			
4.31	094412	Bracket			
4.32	4219604Z	Rear insulation support			
	531533	Tube retainer			
4.36	081084/NS	Left stopper			
4.37	081083/NS	Right stopper			
4.43	103797	Control panel protection			
4.45	46A6501Z	Left funnel			
4.44	46A9S03Z	Funnel prolongement			
4.46	46A9T01Z	Right funnel			
	4119T01	Drip flap			

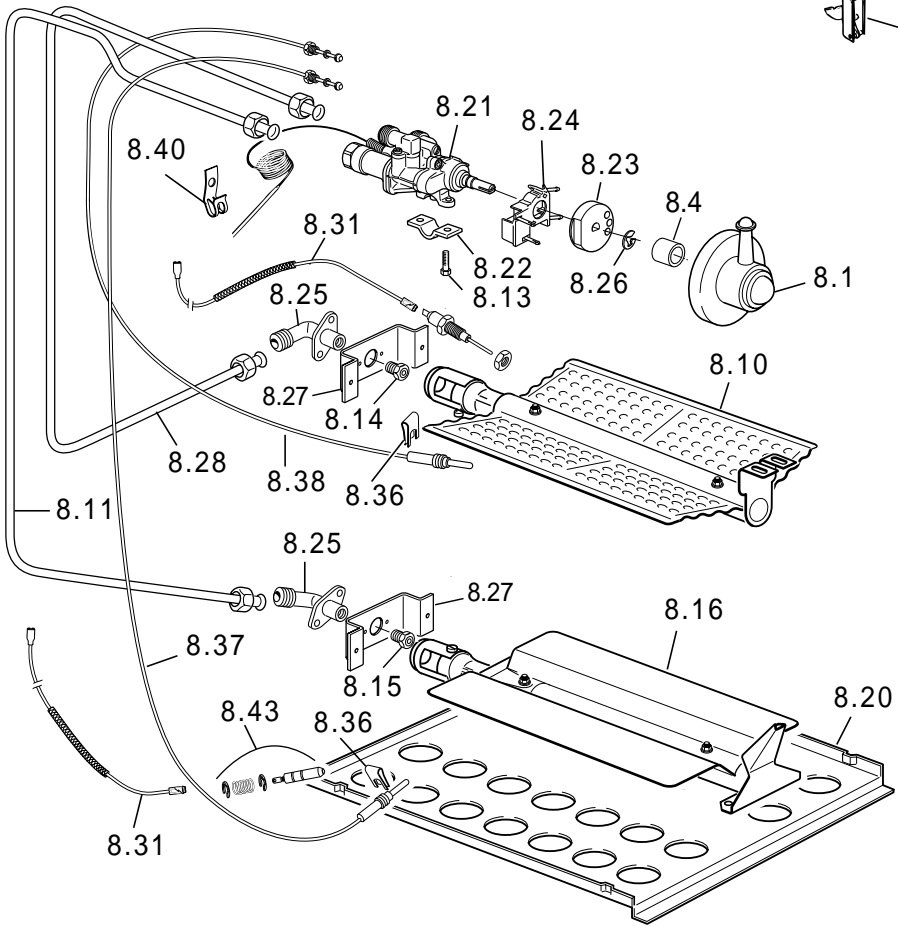
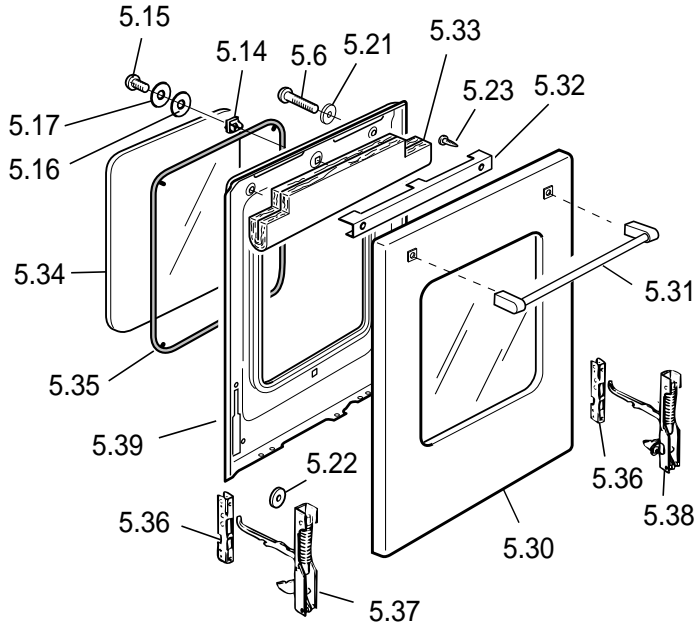
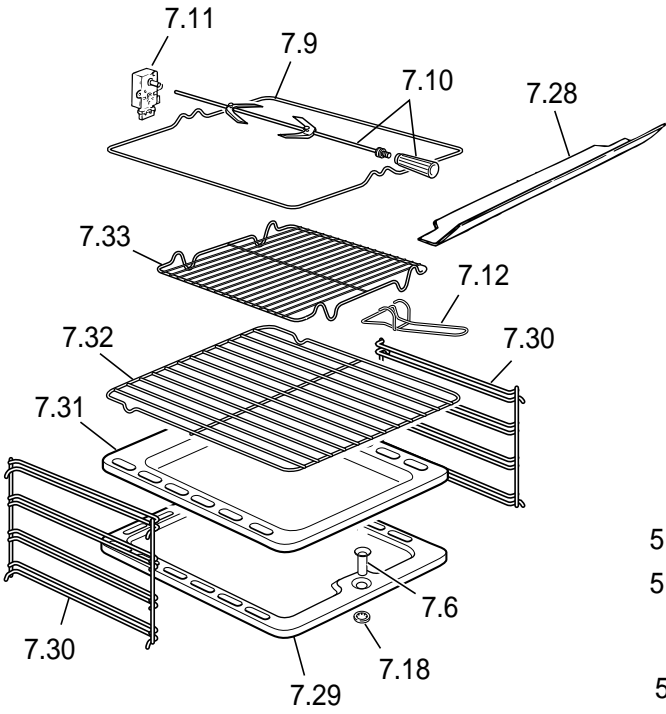
CR 9210

C9T0CP008X

RIGHT OVEN

tav. 2

cat. 18.C3503



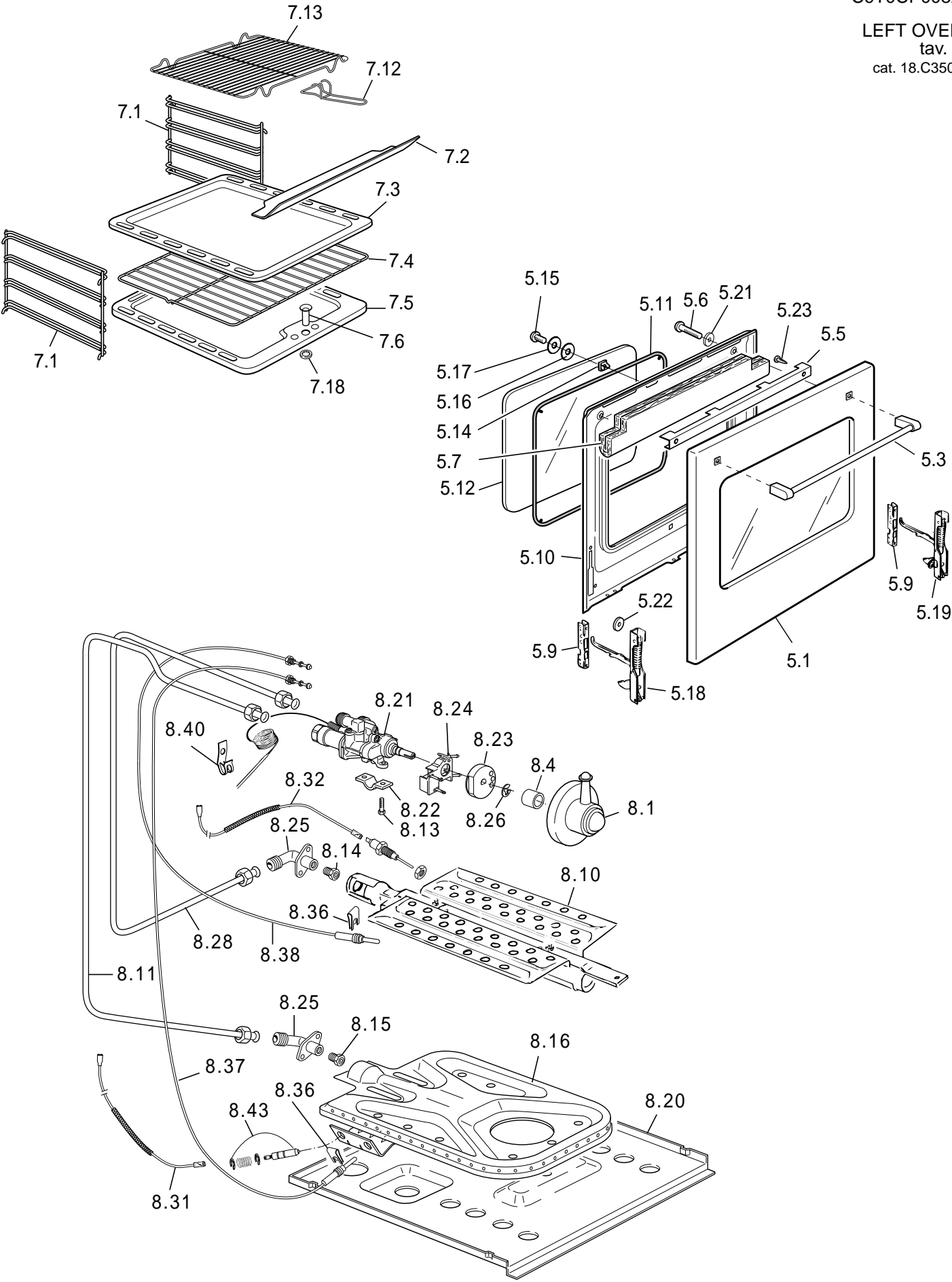
REF.	CODE	DESCRIPTION
5.6	001056	Screw
5.14	214021	Nut
5.15	001143	Screw
5.16	003035	Washer
5.17	103205	Washer
5.21	003030	Washer
5.22	003041	Washer R5,7x15
5.23	001083	Screw
5.30	0329S2160B	Door glass
5.31	037216062	Door handle
5.32	51B9S04	Fixing bar
5.33	030130.1	Door insulation
5.34	0312159T	Inner glass
5.35	053096	Gasket
5.36	063109	Door hinge (female)
5.37	063111	Left door hinge (male)
5.38	063110	Right door hinge (male)
5.39	373F9S02K	Door panel
7.6	103057	Lighting tube
7.9	217539	Rotisserie support
7.10	080025+037012	Rotisserie spear
7.11	079014	Rotisserie motor
7.12	037144	Grill-pan grid handle
7.18	003043	Retaining ring
7.28	103800	Grill deflector
7.29	47E9T002K	Oven floor
7.30	217307	Shelf support
7.31	48B9S001K	Oven tray
7.32	217542	Oven shelf
7.33	217537	Grill-pan grid
8.1	2189002357	Knob
8.4	085081	Knob sleeve
8.10	215473	Grill burner
8.11	029756	Oven inlet pipe
8.13	001189	Screw
8.14	101066	Grill burner injector - Ø 0.70 - G30
=	101209	Oven burner injector - Ø 1.05 - G20
8.15	101071	Oven burner injector - Ø 0.72 - G30
=	101157	Grill burner injector - Ø 1.10 - G20
8.16	215472	Oven burner
8.20	4219T03Z	Bottom element support
8.21	066146	Thermostat
8.22	094316	Bracket
8.23	103392	Cam
8.24	103439	Switch support
8.25	067024	Elbow
8.26	003039	Retaining ring
8.27	094471	Injector support
8.28	029757	Grill inlet pipe
8.31	103290	Cable A.T L=1300
8.36	035098	Spring
8.37	107049	Oven thermocouple - L=1250
8.38	107047	Grill thermocouple - L=1000
8.40	213015	Clip
8.43	084034	Oven burner igniter

CR 9210

C9T0CP008X

LEFT OVEN
tav. 3

cat. 18.C3503



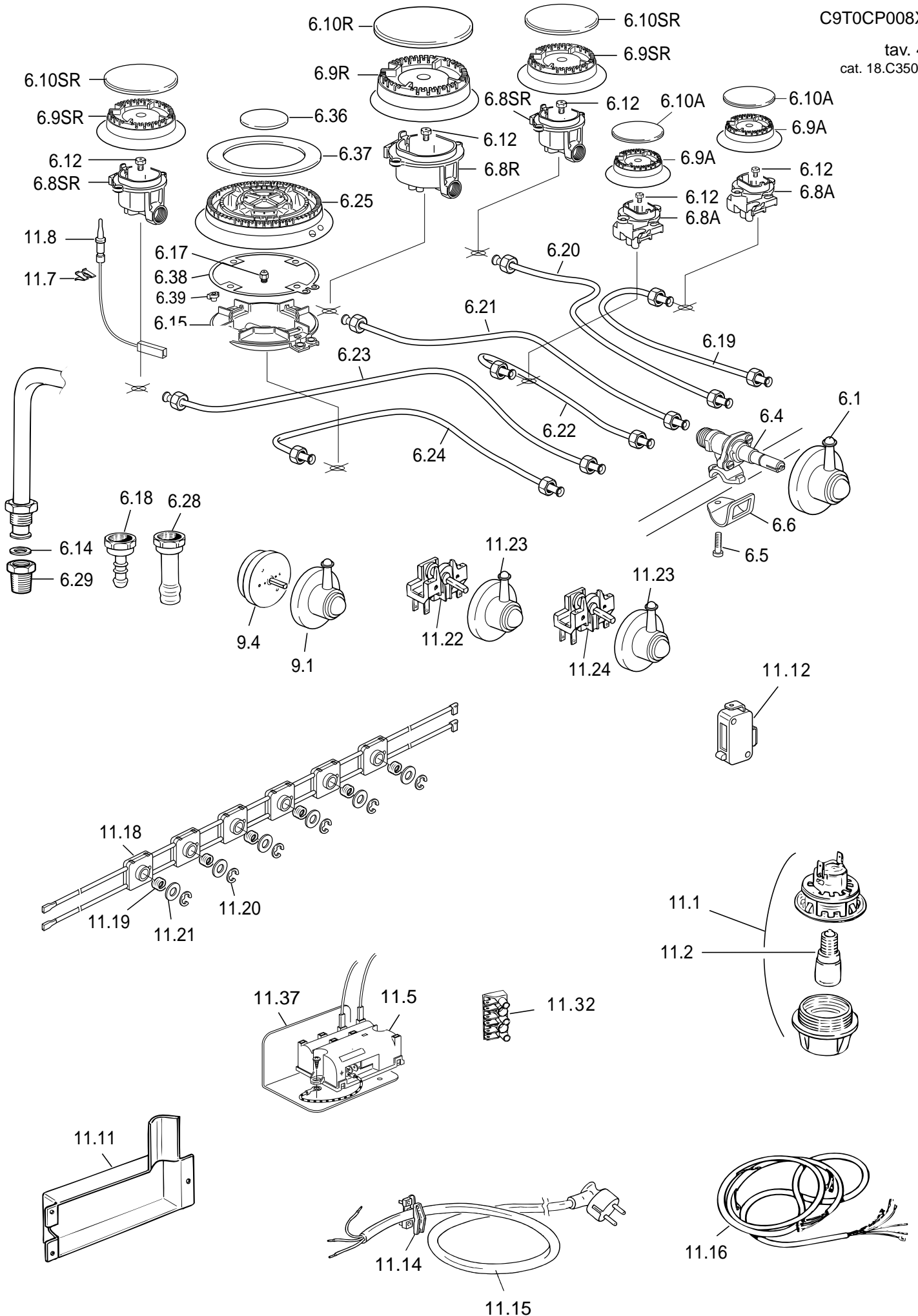
REF.	CODE	DESCRIPTION
5.1	032912158B	Door glass
5.3	037215062	Door handle
5.5	51B9102	Fixing bar
5.6	001056	Screw
5.7	030118.1	Door insulation
5.9	063109	Door hinge (female)
5.10	373F9103K	Door panel
5.11	053084	Gasket
5.12	0311000.1T	Inner glass
5.14	214021	Nut
5.15	001143	Screw
5.16	003035	Washer
5.17	103205	Washer
5.18	063059/ZA	Left door hinge (male)
5.19	063058/ZA	Right door hinge (male)
5.21	003030	Washer
5.22	003041	Washer R5,7x15
5.23	001083	Screw
7.1	217291	Shelf support
7.2	103799	Grill deflector
7.3	48B6101K	Oven tray
7.4	217220	Oven shelf
7.5	47EN601K	Oven floor
7.6	103057	Lighting tube
7.12	037144	Grill-pan grid handle
7.13	217397	Grill-pan grid
7.18	003043	Retaining ring
8.1	2189002357	Knob
8.4	085081	Knob sleeve
8.10	215459	Grill burner
8.11	029670	Oven inlet pipe
	077073	Microswitch
8.13	001189	Screw
8.14	101112	Grill burner injector - Ø 0.80 - G30
=	101081	Grill burner injector - Ø 1.20 - G20
8.15	101080	Oven burner injector - Ø 0.92 - G30
=	101091	Oven burner injector - Ø 1.40 - G20
8.16	215431C	Oven burner
8.20	4219106Z	Bottom element support
8.21	066134	Thermostat
8.22	094316	Bracket
8.23	103392	Cam
8.24	103439	Switch support
8.25	067025	Elbow
8.26	003039	Retaining ring
8.28	029671	Grill inlet pipe
8.31	103290	Cable A.T 91/oven L=1300
8.32	103289	Cable A.T grill L=1700
8.36	035098	Spring
8.37	107046	Oven thermocouple - L=1250
8.38	107047	Grill thermocouple - L=1000
8.40	213015	Clip
8.43	084027	Oven burner igniter
	084034	Grill burner igniter

CR 9210

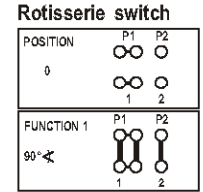
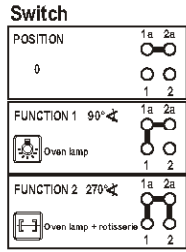
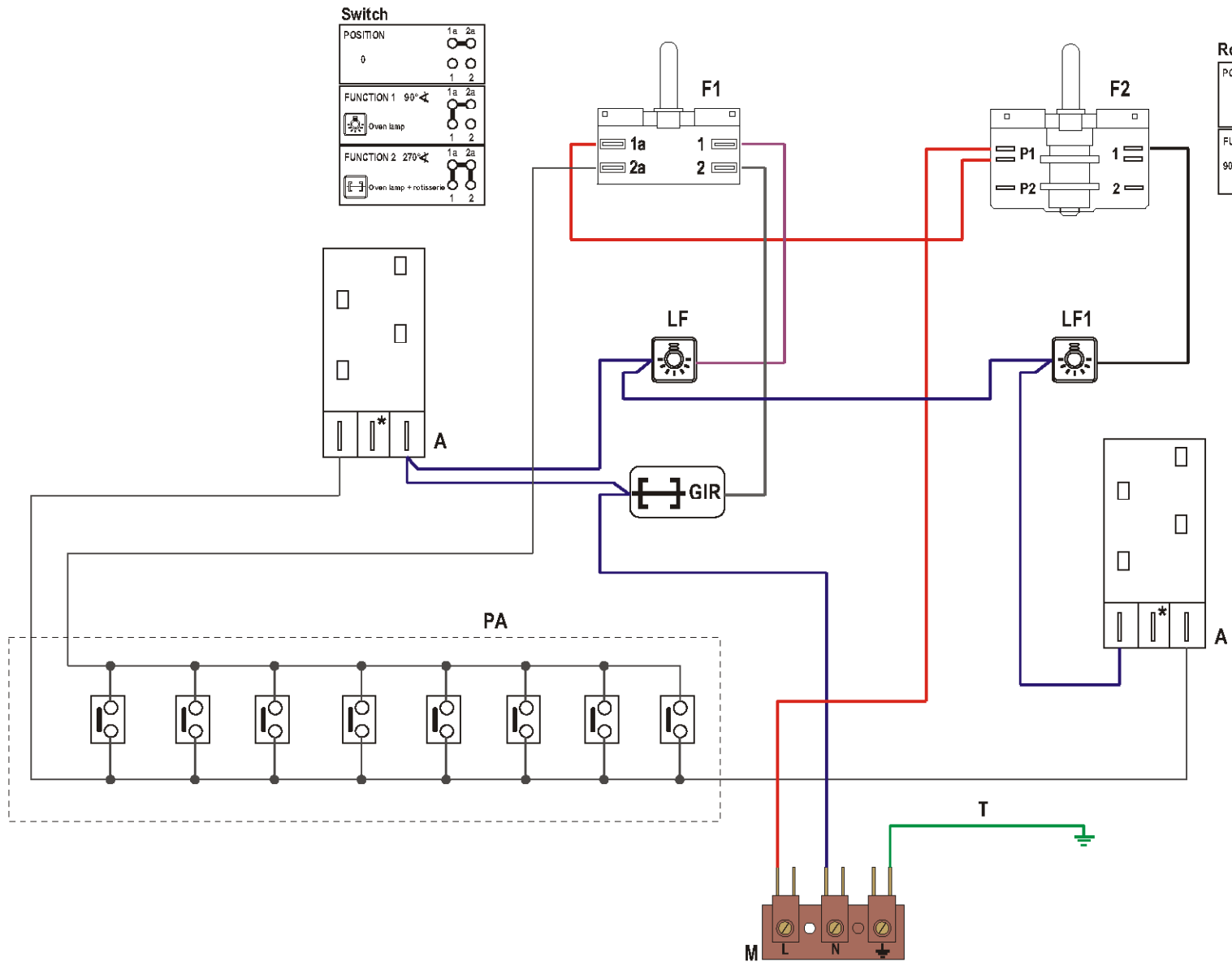
C9T0CP008X

tav. 4

cat. 18.C3503



REF.	CODE	DESCRIPTION
6.1	2189002357	Burner knob
6.4	106240	Tap - Ø 0.27 A
=	106241	Tap - Ø 0.32 SR
=	106242	Tap - Ø 0.42 R
=	106243	Tap - Ø 0.65 TR
6.5	001233	Tap fixing screw
6.6	094382	Tap bracket
6.8A	215465	A burner-cup
6.8SR	215466	SR burner-cup
6.8R	215467	R burner-cup
6.9R	068111001	R burner head
6.9SR	068110001	SR burner head
6.9A	068109001	A burner head
6.10A	216129005A	A burner-cap
6.10SR	216130005A	SR burner-cap
6.10R	216131005A	R burner-cap
6.12	101234	Injector - Ø 0.72 - G20
=	101235	Injector - Ø 0.97 - G20
=	101236	Injector - Ø 1.15 - G20
6.12	101180	Injector - Ø 0.50 - G30
=	101181	Injector - Ø 0.65 - G30
=	101182	Injector - Ø 0.85 - G30
6.14	053024.1	Elbow gasket
6.15	215469	Burner-cup TR
6.17	101237	TR injector - Ø 1.35 - G20
=	101233	TR injector - Ø 0.95 - G30
6.18	027014	LPG connection
6.19	029626	A inlet pipe - front right
6.20	029625	SR inlet pipe - rear right
6.21	029624	R inlet pipe - rear central
6.22	029623	A inlet pipe - front central
6.23	029622	SR inlet pipe - rear left
6.24	029621	TR inlet pipe - front left
6.25	068112001	TR burner head
6.28	027013	Natural gas connection
6.29	067026	Connection
6.36	216132005A	Burner-cap inside TR
6.37	216133005A	Burner-cap outside TR
6.38	053078	Burner-cup gasket
6.39	040064	Blanking rubber
9.1	2189002349	Alarm knob
9.4	074009	60' alarm
11.1	072003	Lamp holder
11.2	073013001	Lamp
	085081	Knob sleeve
11.5	082048.1	6 burners ignition coil
	103288	Burner ignition coil cable
11.7	035094	Igniter spring
11.8	084029	Igniter - L = 630 mm
=	084033	Igniter TR - L = 500 mm
11.11	103230.1A	Terminal block protection
11.12	077073	Microswitch
11.14	052008	Wire fastener
11.15	054066	Cord 3x0,75
11.16	1131476	Wiring
11.18	103796	Ignition switches
11.19	035080	Ignition switches spring
11.20	003039	Retaining ring
11.21	003038	Washer
11.22	050058	Oven light switch
11.23	2189002349	Switch oven knob
11.24	050035	Oven light/roisserie switch
11.32	051049	Terminal block 25A - 3P
11.38	094413	Ignition coil support
-	1102340	Instruction booklet
	6109T60001	LPG gas conversion kit



- ELECTRIC DIAGRAM KEY**
- A IGNITION COILS
 - PA IGNITION SWITCHES GROUP
 - M TERMINAL BLOCK
 - T EARTH CONNECTION
-
- RIGHT OVEN**
- F1 SWITCH
 - LF OVEN LAMP
 - GIR ROTISSERIE
-
- LEFT OVEN**
- F2 SWITCH
 - LF1 OVEN LAMP



CR9210

Caple 900 GAS Range 2 Cavity