



Product code:

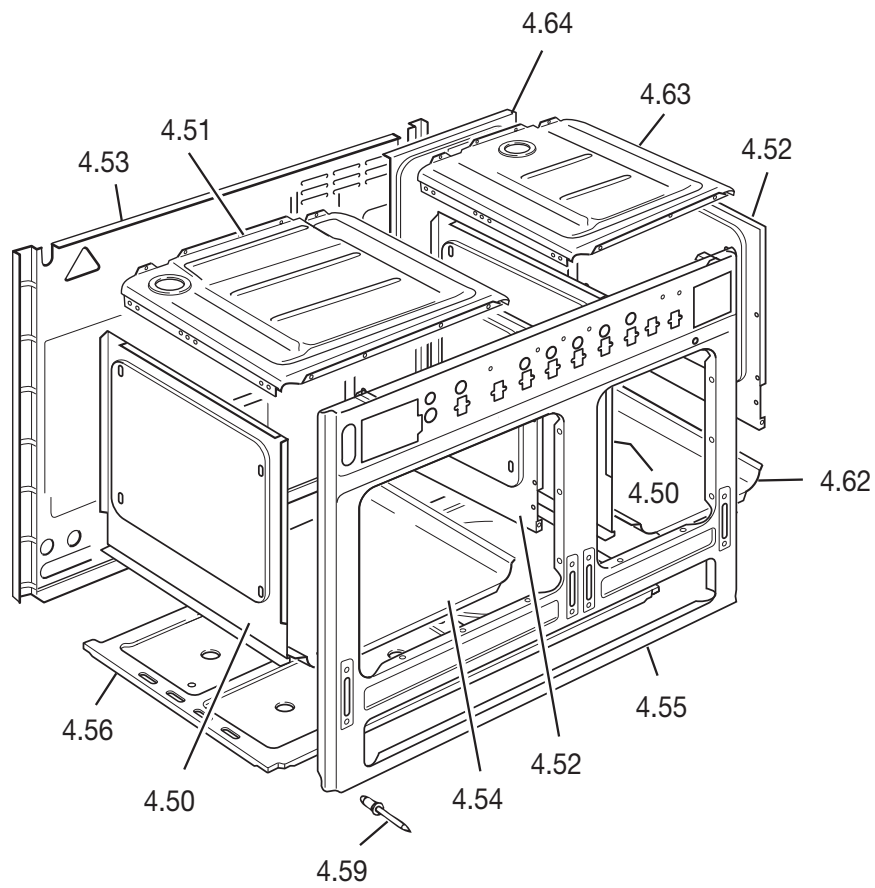
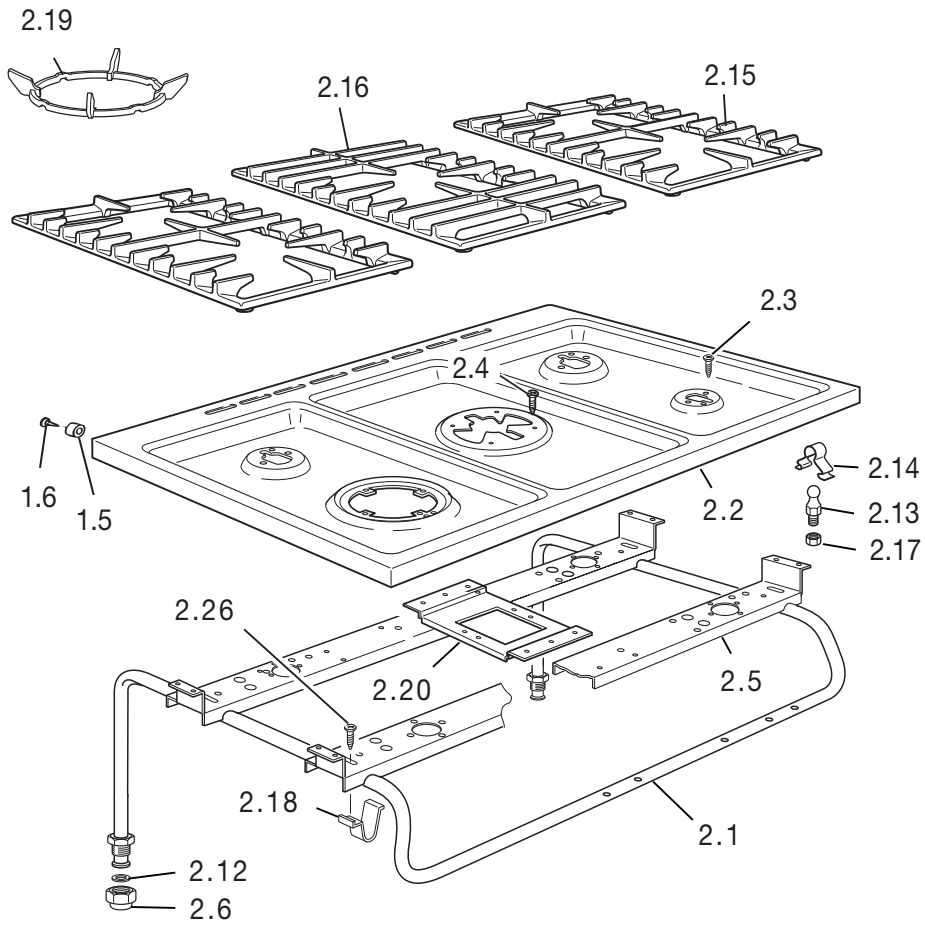
C9T0CP101X

Product: **Cooker**

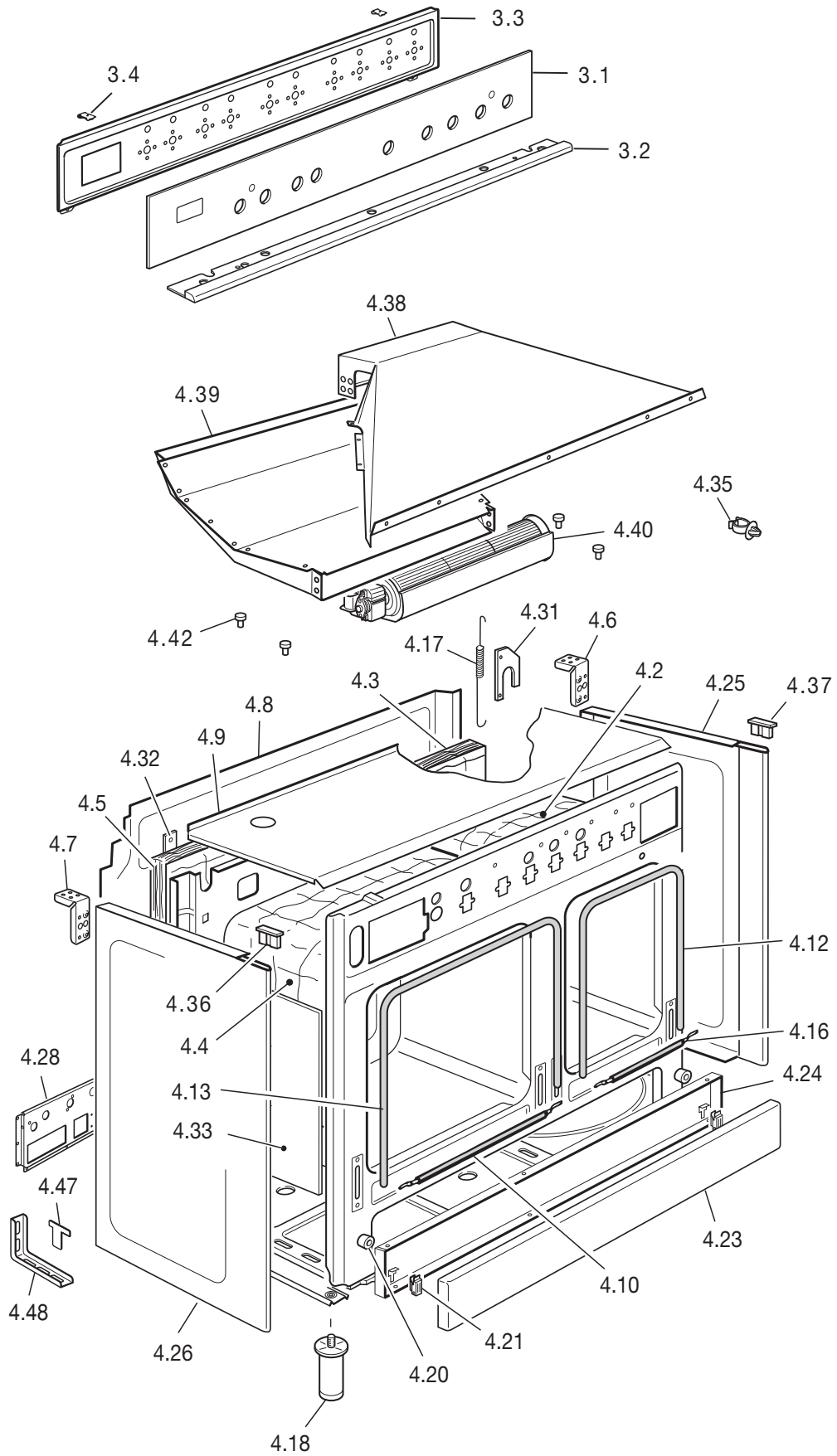
Model: **CR 9207**

Product code	Serial No.	Product remark	Issue No.	Issue Date
C9T0CP101X			18.C6326	May 2013

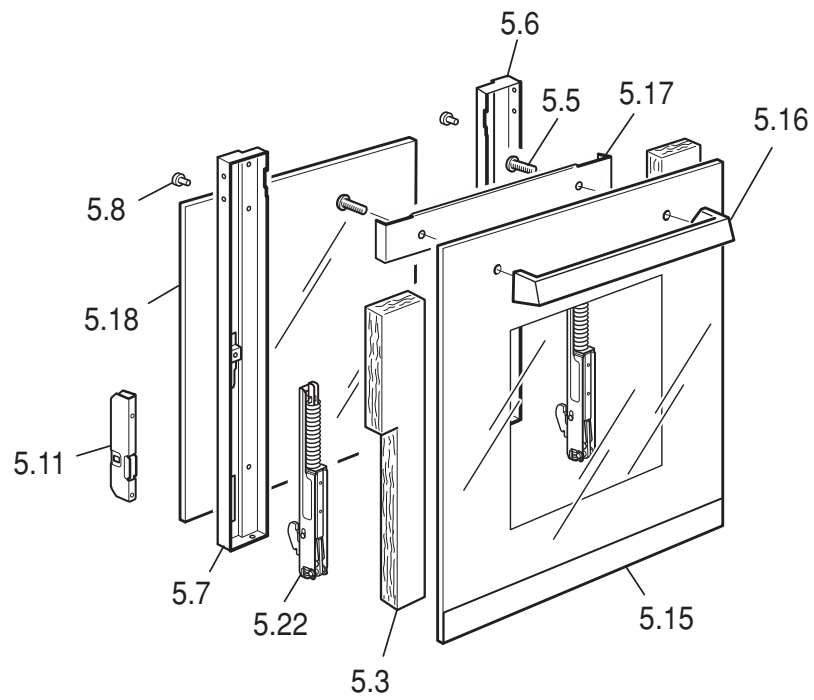
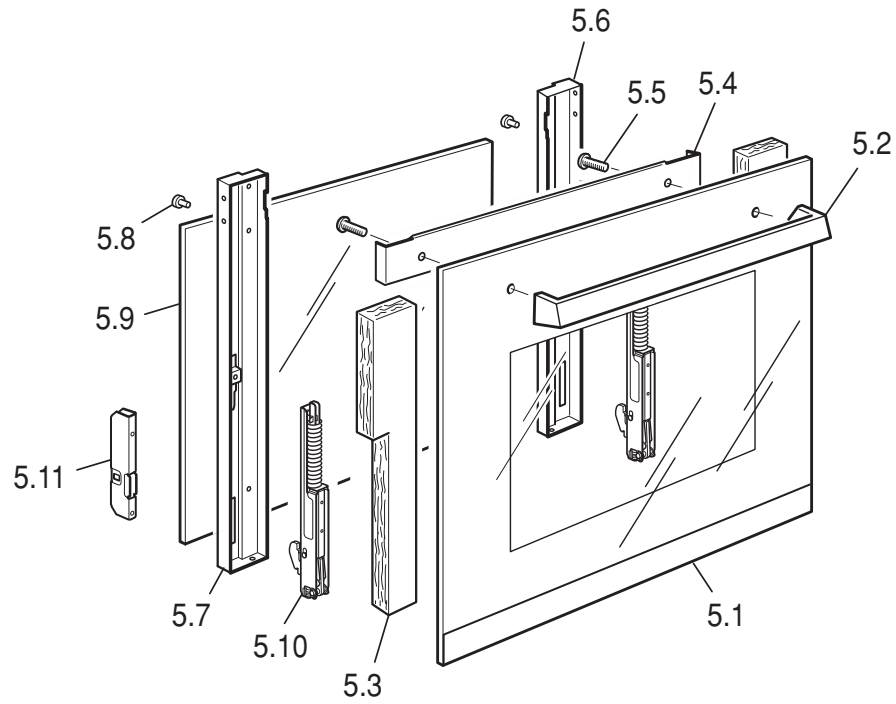
Key part information	
A	Auxiliary burner
SR	Semirapid burner
TR	Triple ring burner
D	Dual burner



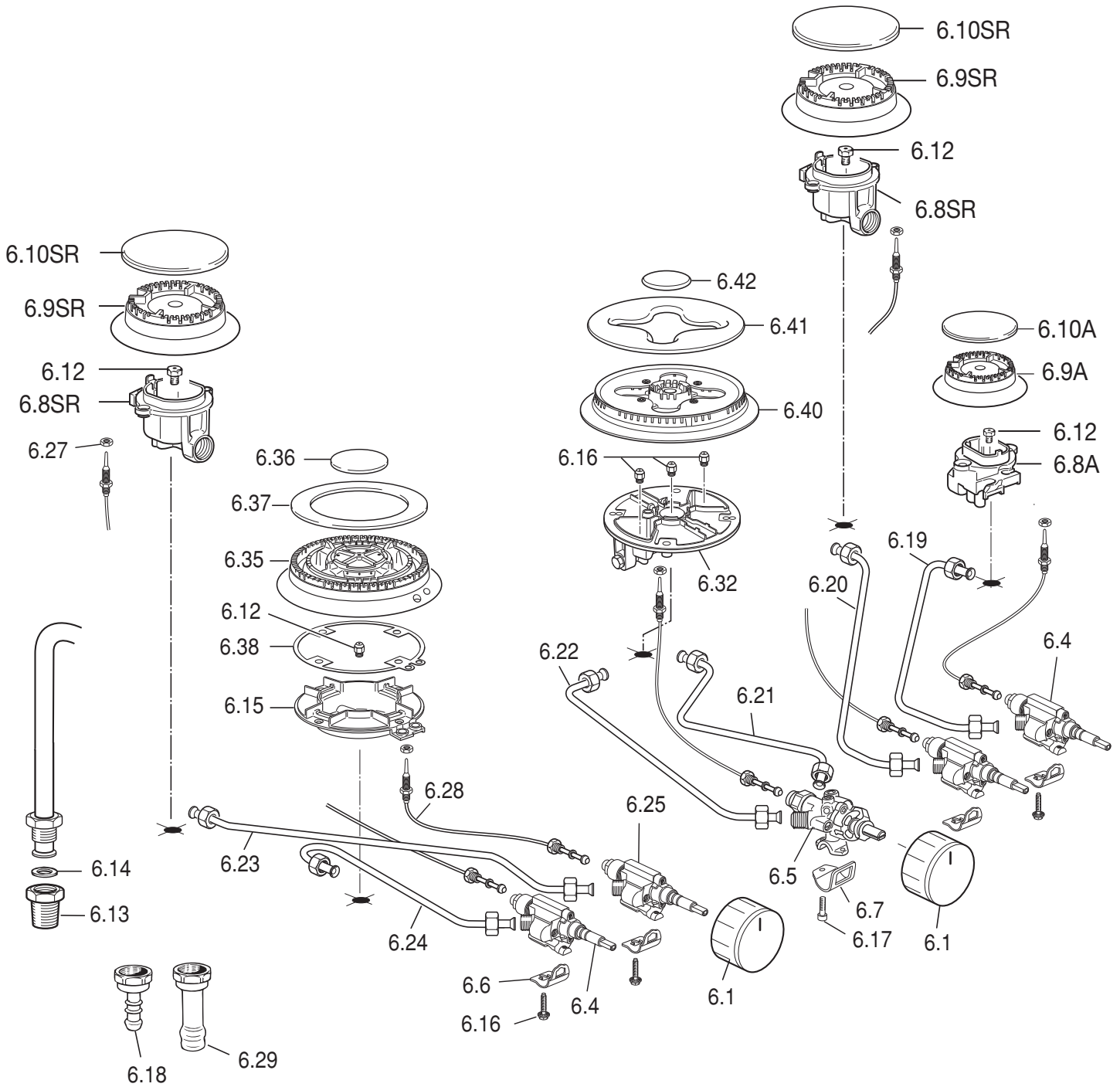
Ref.	Part description	Product code	
		C9T0CP101X	
		Feature	Part code
1.5	Plug		040041001
1.6	Stainless steel screw		001007
2.1	Manifold		3429S50001
2.2	Cooktop		3319S517S
2.3	Screw		001234.1
2.4	Screw		001252
2.5	Burners support		51B9S01
2.6	Inlet pipe plug		027015
2.12	Gasket		053024.1
2.13	Pin		103615
2.14	Spring		035100
2.15	Pan-support		217630
2.16	Central pan-support		217635
2.17	Nut		214062
2.18	Fixing plate		094793
2.19	Wok grid		217498
2.20	DUAL burner support		094548
2.26	Screw		001167
4.50	Oven side panel (Left)		45EN6106G
4.51	Top oven panel		45EN6101G
4.52	Oven side panel (Right)		45EN6107G
4.53	Body rear panel		45H9S001G
4.54	Oven floor		47E6102G
4.55	Body front panel		45B36T02G
4.56	Lower element cover		45K96004Z
4.59	Rivet		211012
4.62	Oven floor		47E36T03G
4.63	Top oven panel		45E36T02G
4.64	Body rear panel		45H36T05G



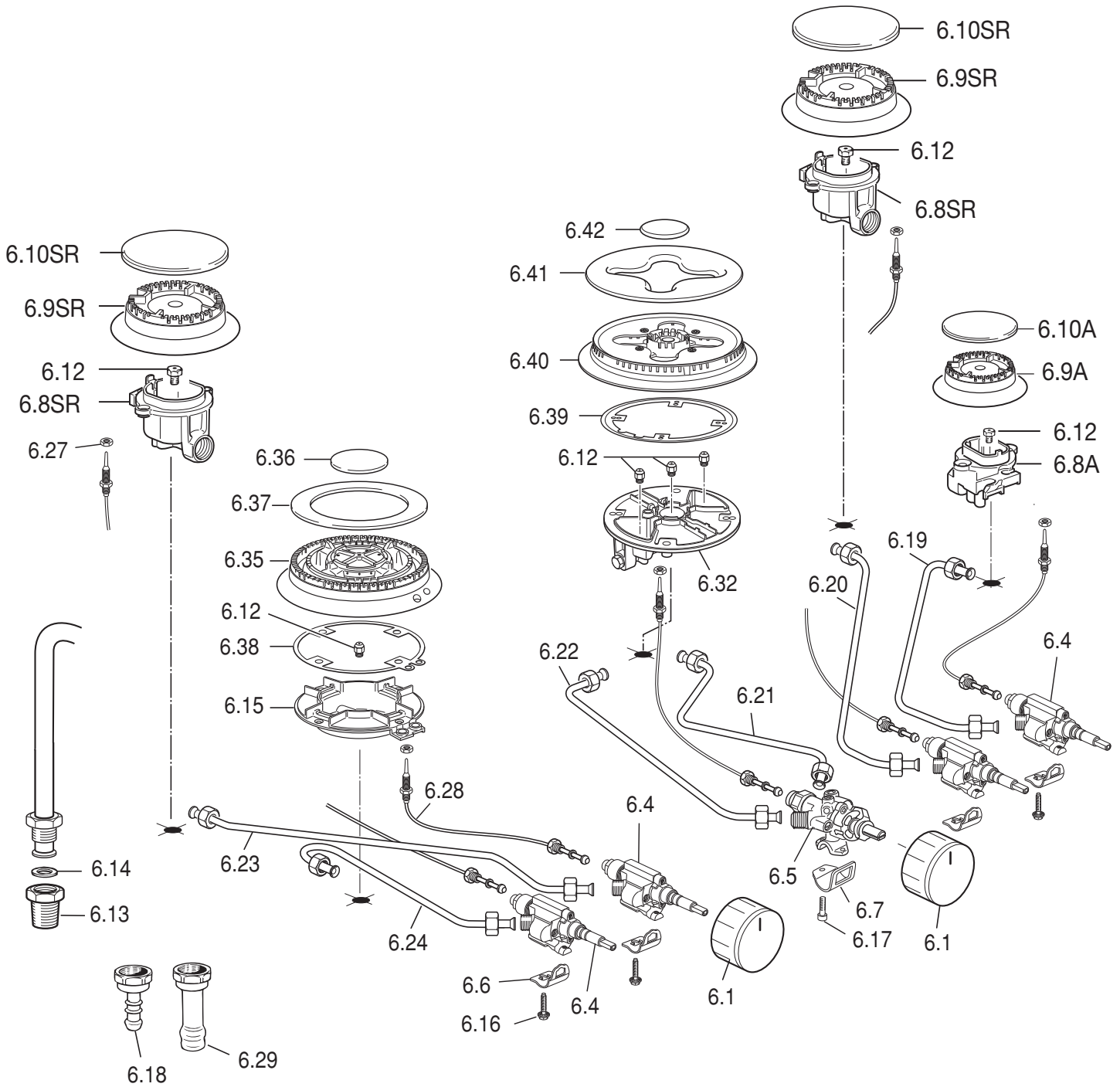
Ref.	Part description	Product code	
		C9T0CP101X	
		Feature	Part code
3.1	Control panel		0329T003
3.2	Control panel trim		1031191
3.3	Interior control panel		35M9S002A
3.4	Clips		213007
4.2	Oven insulation		030257
4.3	Rear insulation		030254.1
4.4	Oven insulation		030256.1
4.5	Rear insulation		030232.1
4.6	Rear right coupler		094417DX
4.7	Rear left coupler		094417SX
4.8	Rear panel		4119T02
4.9	Upper shelter		4219T06Z
4.10	Top/bottom seal		053074
4.12	Seal		053093
4.13	Seal		053039
4.16	Bottom seal		053094
4.17	Insulation spring		035101
4.18	Shim		103564
4.20	Buffer		040061
4.21	Hinge		063075
4.23	Front panel		371V969LCP
4.24	Inside panel		373V9601A
4.25	Side panel right		36C91D1S
4.26	Side panel left		36C91S1S
4.28	Right oven support		4213605Z
4.31	Bracket		094412
4.32	Rear insulation support		4219604Z
4.33	Hinge protection		4216108Z
4.35	Tube retainer		531533
4.36	Left stopper		081084/NS
4.37	Right stopper		081083/NS
4.38	Air conveyor		46A9S02Z
4.39	Funnel		46A9S01Z
4.40	Tangential fan		079025
4.42	Vibration-damper buffer		040056
4.47	Lock pin		103172
4.48	Anti-tilt bracket		094153



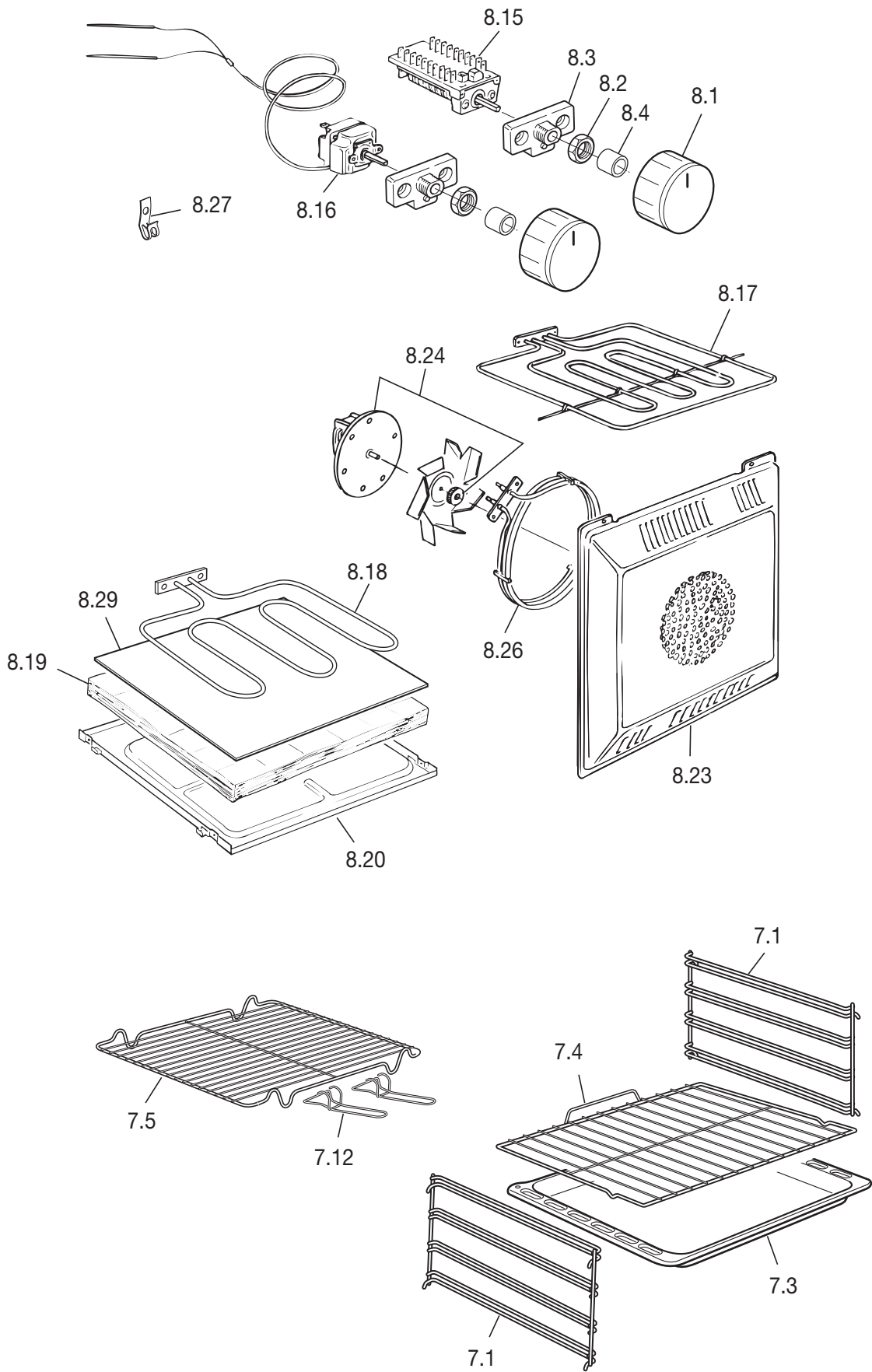
Ref.	Part description	Product code	
		C9T0CP101X	
		Feature	Part code
5.1	Door glass		0321T004
5.2	Door handle		037299061
5.3	Oven door insulation lateral		030187.1
5.4	Fixing bar		51B6509A
5.5	Door handle screw		001208
5.6	Right door trim		51A9T02DA
5.7	Left door trim		51A9T02SA
5.8	Rubber		040051
5.9	Inner glass		0313071TH
5.10	Right door hinge (male)		063142
5.11	Door hinge (female)		063148
5.15	Door glass		0329S2728B
5.16	Door handle		037300061
5.17	Fixing bar		51B9S07A
5.18	Inner glass		0313072TH
5.22	Left door hinge (male)		063143



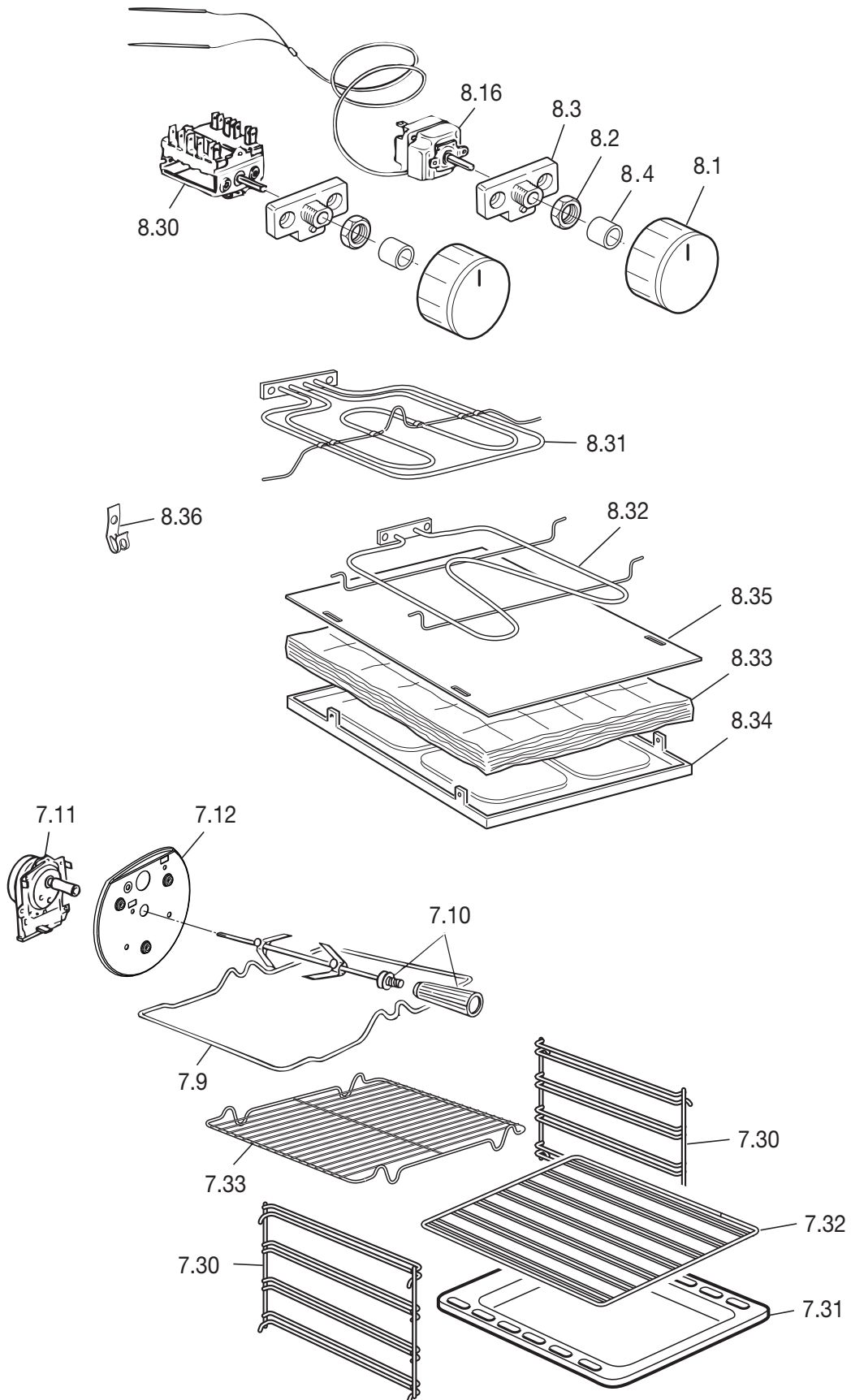
Ref.	Part description	Product code	
		C9T0CP101X	
		Feature	Part code
6.1	Burner knob		2183009462
6.4	Tap	Ø 0.28 A	106270GN
		Ø 0.33 SR	106271GN
6.5	Tap	DUAL 27/60	106247/G20
6.6	Tap bracket		094654
6.7	Tap bracket	DUAL	094523
6.16	Tap fixing screw		001282
6.17	Tap fixing screw	DUAL	001251
6.8A	Burner-cup	A	215465
6.8SR	Burner-cup	SR	215466
6.9A	Burner head	A	068109003
6.9SR	Burner head	SR	068110003
6.10A	Burner-cap	A	216129005A
6.10SR	Burner-cap	SR	216130005A
6.12	Injector	Ø 0.72 (X) A - G20	101234
		Ø 0.97 (Z) SR - G20	101235
		Ø 1.35 (T) TR - G20	101237
		Ø 0.50 A - G30	101180
		Ø 0.65 SR - G30	101181
		Ø 0.95 TR - G30	101233
6.13	Connection		067026
6.14	Elbow gasket		053024.1
6.15	Burner-cup	TR	215469
6.16	Dual burner injector	Ø 0.69 central - G20	101330
		Ø 1.02 (Z) outer - G20	101323
6.18	LPG connection		027014
6.19	Inlet pipe - front right	A	029633
6.20	Inlet pipe - rear right	SR	029970
6.21	Inlet pipe - inside	DUAL	029969
6.22	Inlet pipe - outside	DUAL	029968
6.23	Inlet pipe - rear left	SR	029630
6.24	Inlet pipe - front left	TR	029629
6.25	Tap	Ø 0.63 TR	106273GN
6.16	Dual burner injector	Ø 0.50 central - G30	101180
6.16	Dual burner injector	Ø 0.66 outer - G30	101321



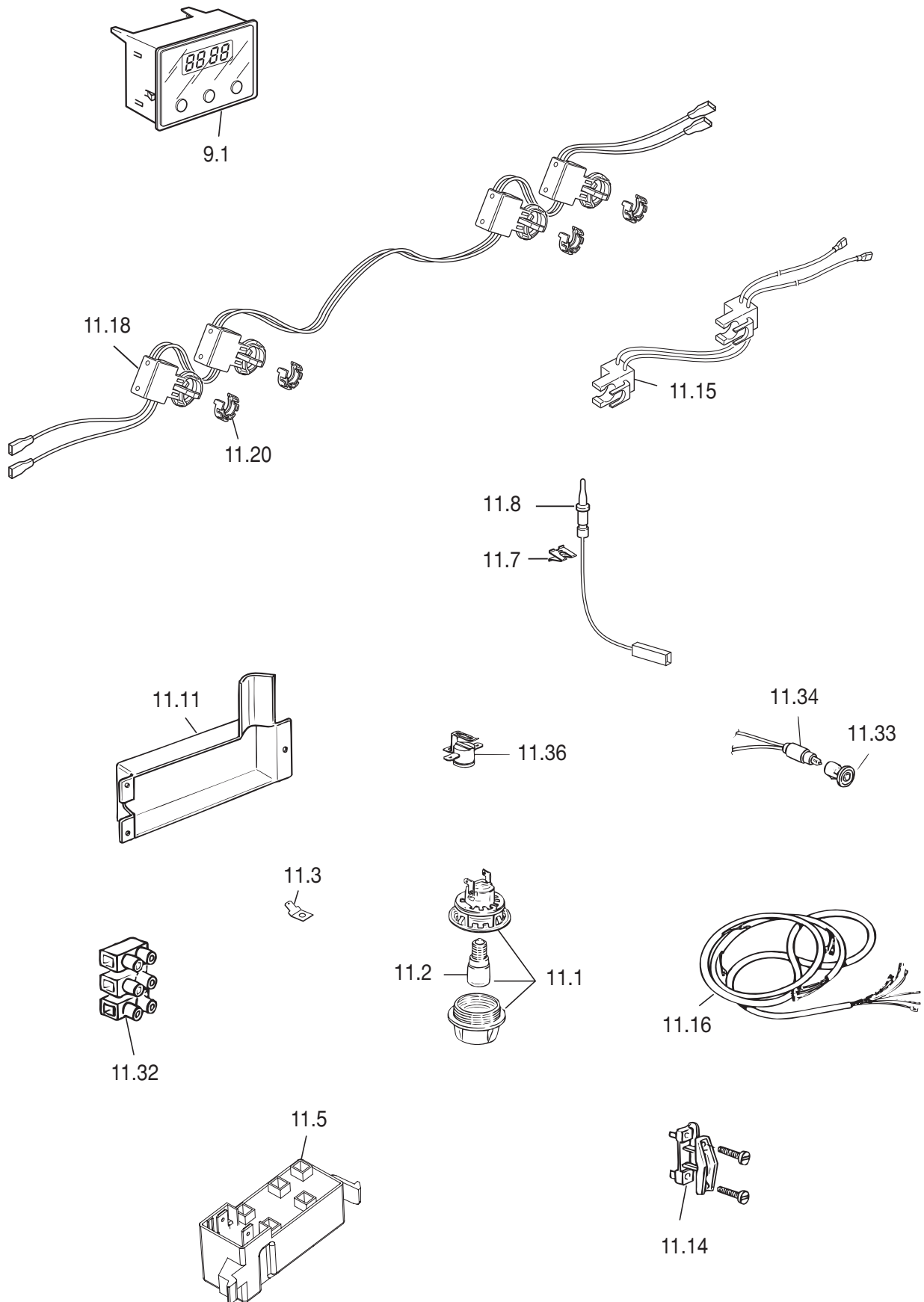
Ref.	Part description	Product code	
		C9T0CP101X	
		Feature	Part code
6.27	Thermocouple nut		214057
		DUAL	214067
6.28	Burner thermocouple	L=250 mm	107038
		L=500 mm	107039
		DUAL - L=450 mm	107057
		TR L=350 mm	107042
6.29	Natural gas connection		027013
6.32	Burner-cup	DUAL	215476
6.35	Burner head	TR	068136003
6.36	Burner-cap inside	TR	216132005A
6.37	Burner-cap outside	TR	216133005A
6.38	Burner-cup gasket		053078
6.39	Burner-cup gasket	DUAL	053107
6.40	Burner head	DUAL	068118003
6.41	Burner-cap outside	DUAL	216135005A
6.42	Burner-cap inside	DUAL	216136005A



Ref.	Part description	Product code	
		C9T0CP101X	
		Feature	Part code
8.1	Oven knob		2183009482
8.2	Switch nut		214063
8.3	Switch plate support		103210.1
8.4	Knob sleeve		085081
8.15	Oven switch		050028.1
8.16	Oven thermostat		066072
8.17	Top + grill element	230V	062158004
8.18	Bottom element	230V	062107004
8.19	Bottom element insulation		030083.1
8.20	Bottom insulation support		4216102Z
8.23	Fan diffuser		47AN604G
8.24	Fan motor		079008001F
8.26	Fan element	230 V	062097004
8.27	Clips		213025
8.29	Bottom element plate		4216108Z
7.1	Shelf support		217291
7.3	Oven tray		48B6101G
7.4	Oven shelf		217439
7.5	Grill-pan grid		217397
7.12	Grill-pan grid handle		037144



Ref.	Part description	Product code	
		C9T0CP101X	
		Feature	Part code
7.9	Rotisserie support		217539
7.10	Rotisserie spear		080026+037012
7.11	Rotisserie motor		079014
7.12	Disk		51BFG05
7.30	Shelf support		217291
7.31	Oven tray		48B9S001G
7.32	Oven shelf		217542
7.33	Grill-pan grid		217537
8.1	Oven knob		2183009482
8.2	Switch nut		214063
8.3	Switch plate support		103210.1
8.4	Oven knob sleeve		085081
8.16	Oven thermostat		066072
8.30	Oven switch		050030
8.31	Top + grill element		062152001
8.32	Bottom element	230V	062151001
8.33	Bottom element insulation	230V	030235.1
8.34	Bottom element support		4213608Z
8.35	Bottom element protection		4213607Z
8.36	Clip		213025



Ref.	Part description	Product code	
		C9T0CP101X	
		Feature	Part code
9.1	Electronic timer		074105
11.1	Lamp holder		072003
11.2	Lamp - 15 W		073013001
11.3	Earth plate		094221
11.5	5 burners ignition coil		082075
11.7	Igniter spring		035094
11.8	Igniter	L = 630	084029
		TR - L = 900	084035
		L = 900	084036
		DUAL - L = 450 mm	084042
11.11	Terminal block protection		103230.1A
11.14	Wire fastener		052008
11.15	Ignition switch	DUAL	103926
11.16	Wiring		1132194
11.18	Ignition switches		1031366
11.20	Retaining ring		003077
11.32	Terminal block	25A - 3P	051049
11.33	Control lamp cover - Red		073041.2
11.34	Control lamp	L = 200	073039.2
11.36	Cut-off thermostat	160°	066123
		140°	066057
		80°	066145
-	LPG gas conversion kit		6109S50033
-	Instruction booklet		1104257