



CR9203

Caple 900mm Range Dual Fuel

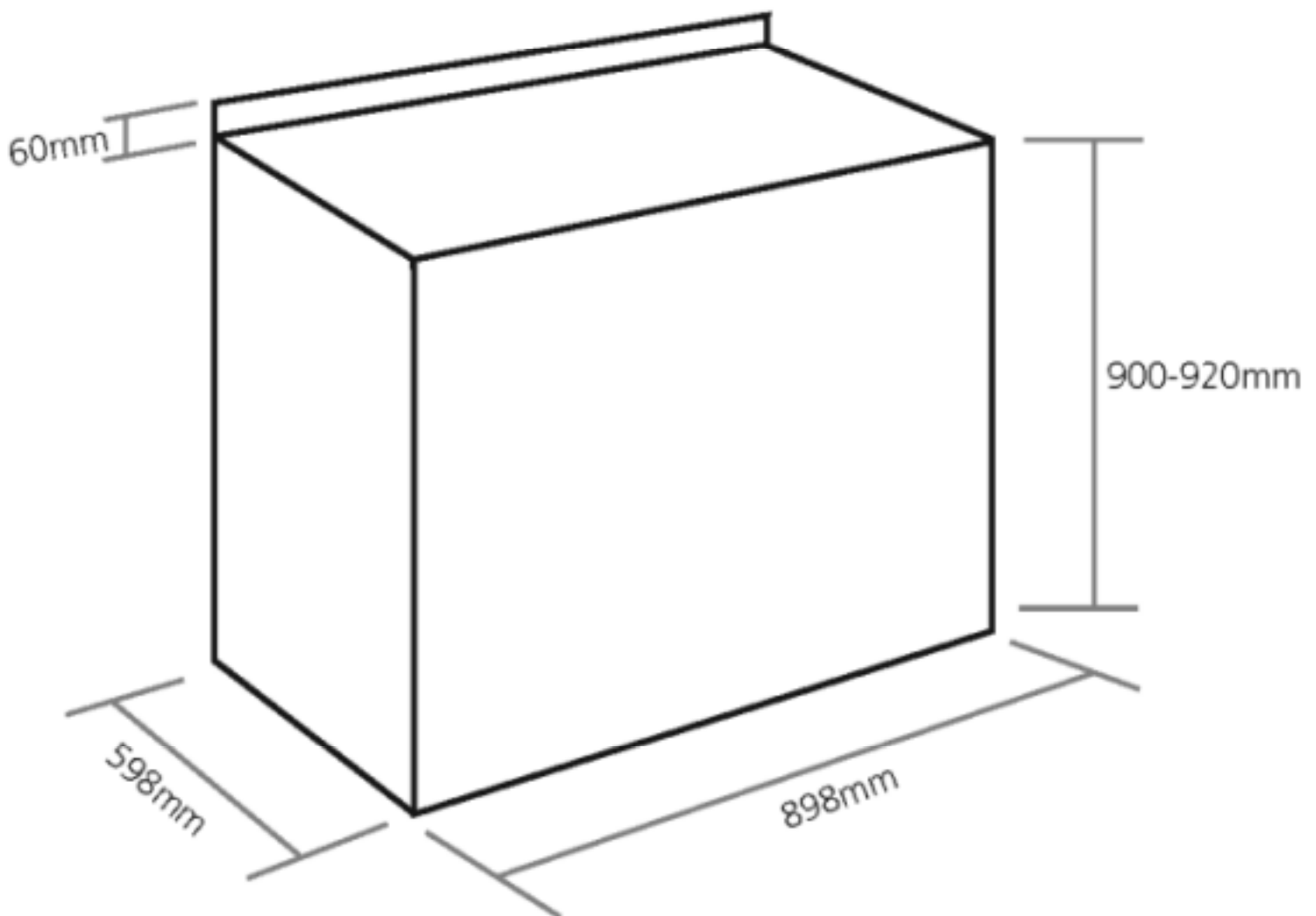


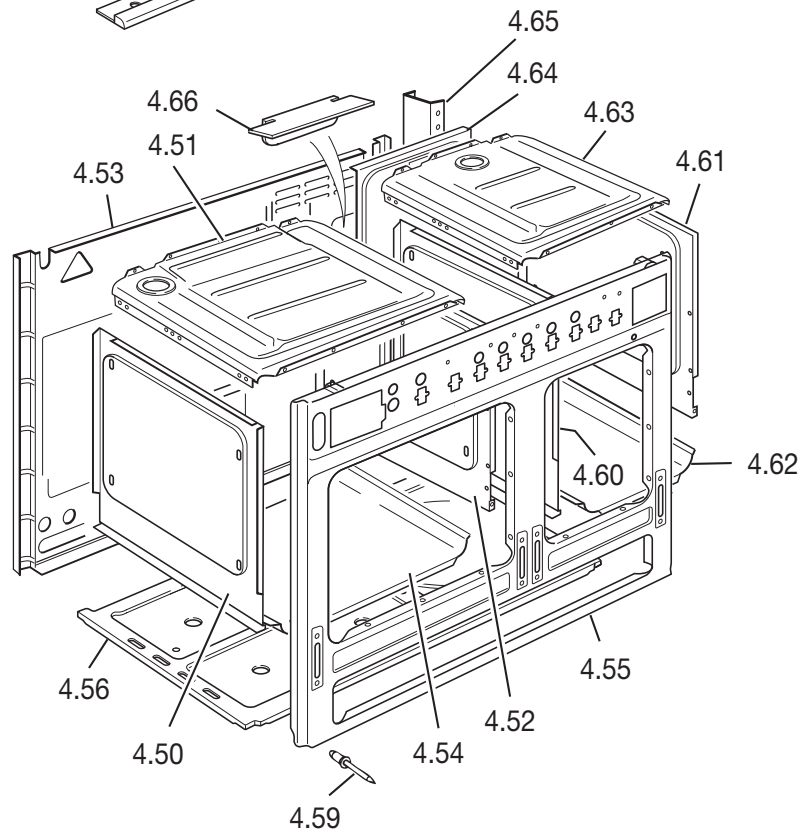
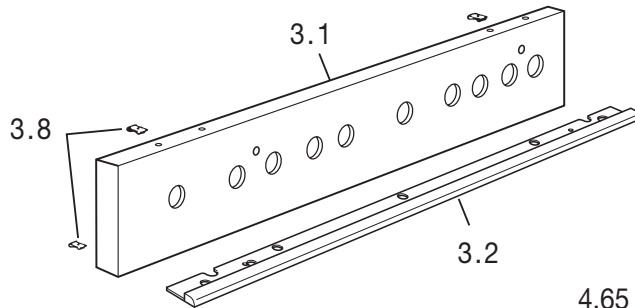
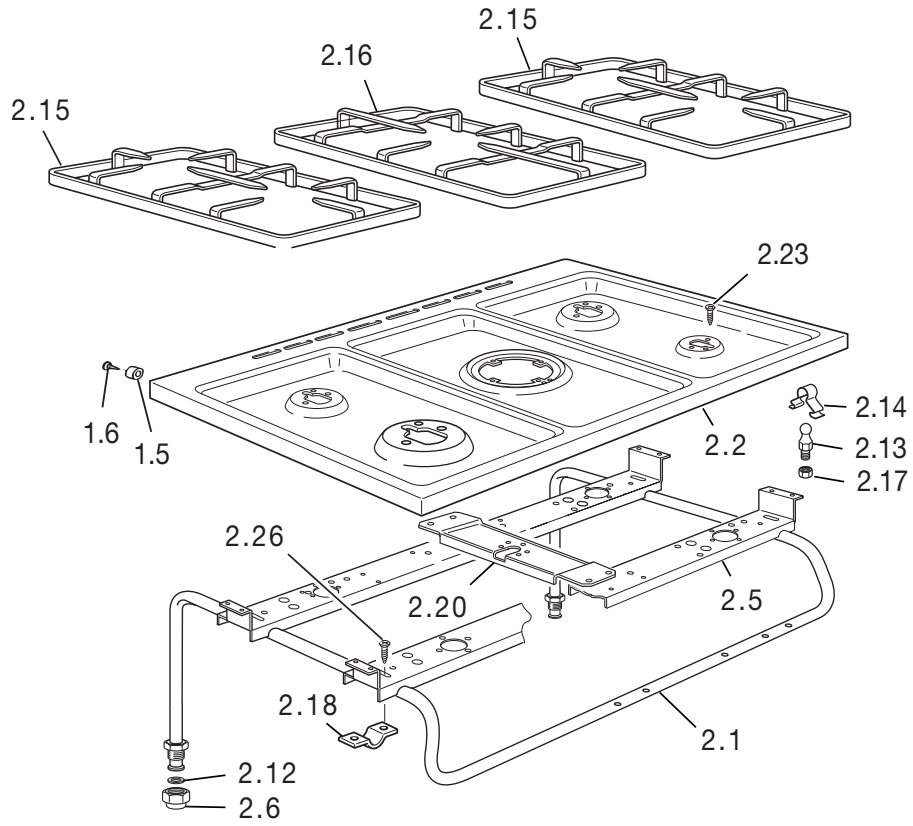
TECHNICAL INFORMATION



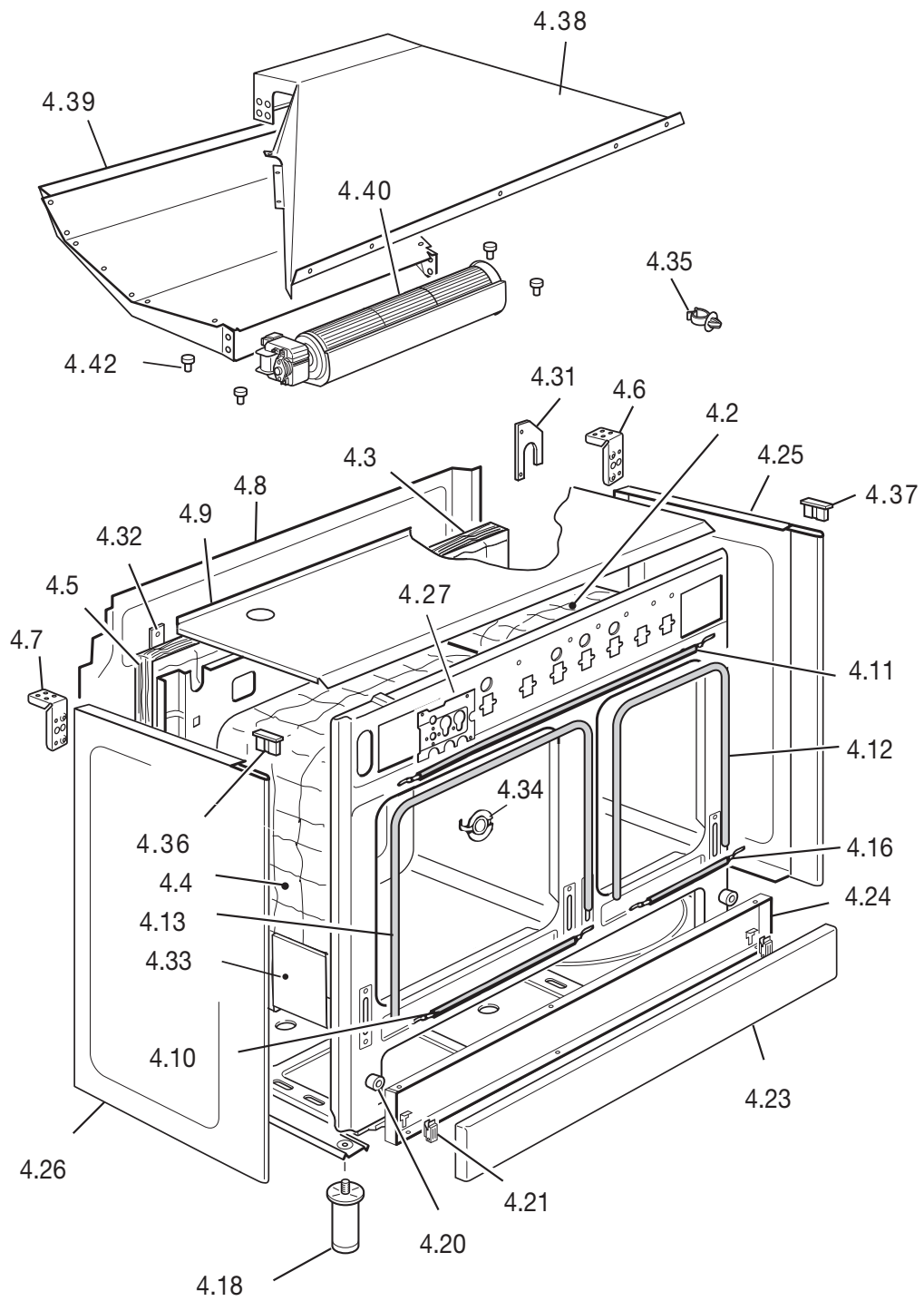
CR9203

Caple 900mm Range Dual Fuel





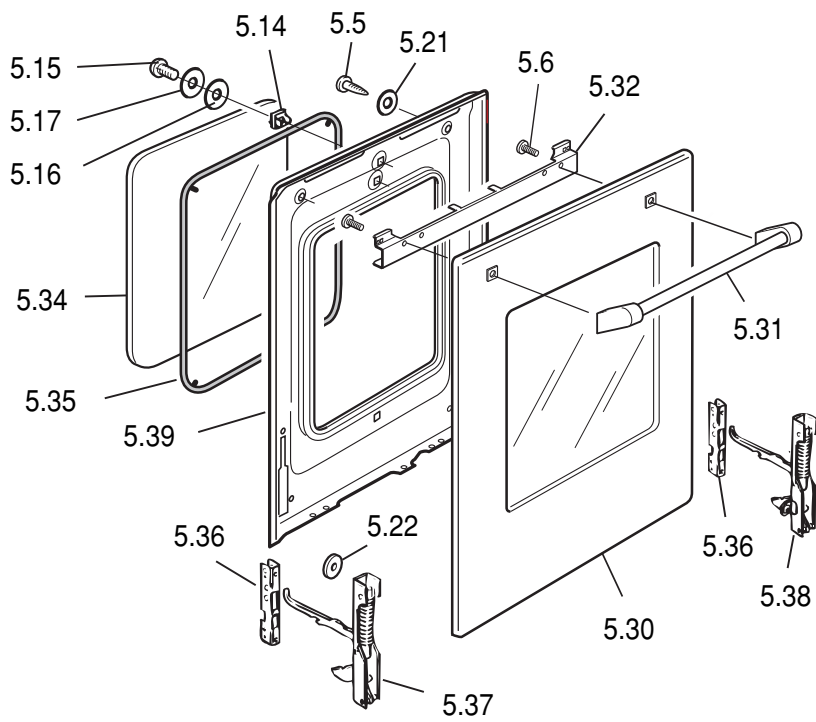
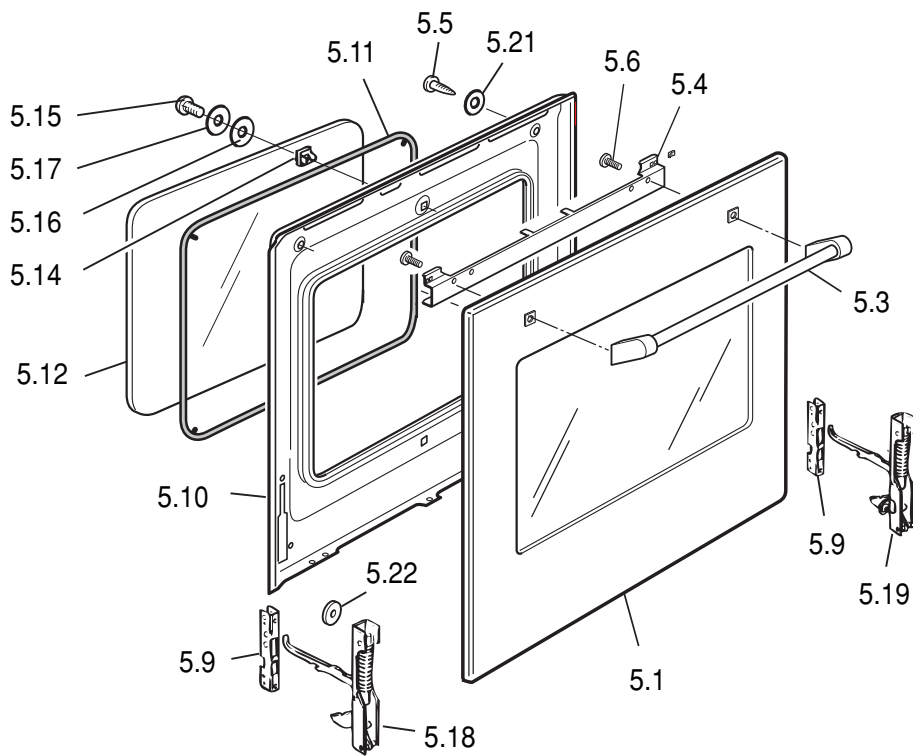
Ref.	Part description	Product code	
		C9T0CP016X	
		Feature	Part code
1.5	Plug		040041001
1.6	Stainless steel screw		001007
2.1	Manifold		3429S50001
2.2	Cooktop		3319S511S
2.5	Burners support		51B9S01
2.6	Inlet pipe plug		027015
2.12	Gasket		053024.1
2.13	Pin		103615
2.14	Spring		035100
2.15	Pan-support		217605080
2.16	Central pan-support		217606080
2.17	Nut		214062
2.18	Fixing plate		094473
2.20	Cross-piece		51B9S05
2.23	Screw		001234.1
2.26	Screw		001167
3.1	Control panel		35N9158LCP
3.2	Control panel trim		103760
3.8	Clips		213007
4.50	Oven side panel (Left)		45EN6106K
4.51	Top oven panel		45EN6101K
4.52	Oven side panel (Right)		45EN6107K
4.53	Body rear panel		45H9S001K
4.54	Oven floor		47E6102K
4.55	Body front panel		45B9S003K
4.56	Lower element cover		45K96004Z
4.59	Rivet		211012
4.60	Oven side panel (Left)		45E65104K
4.61	Oven side panel (Right)		45E65105K
4.62	Oven floor		47E9S001K
4.63	Top oven panel		45E9T001K
4.64	Body rear panel		45H9T001K
4.65	Right oven shelter		4219S02Z
4.66	Right oven lower rear panel		4219S03Z



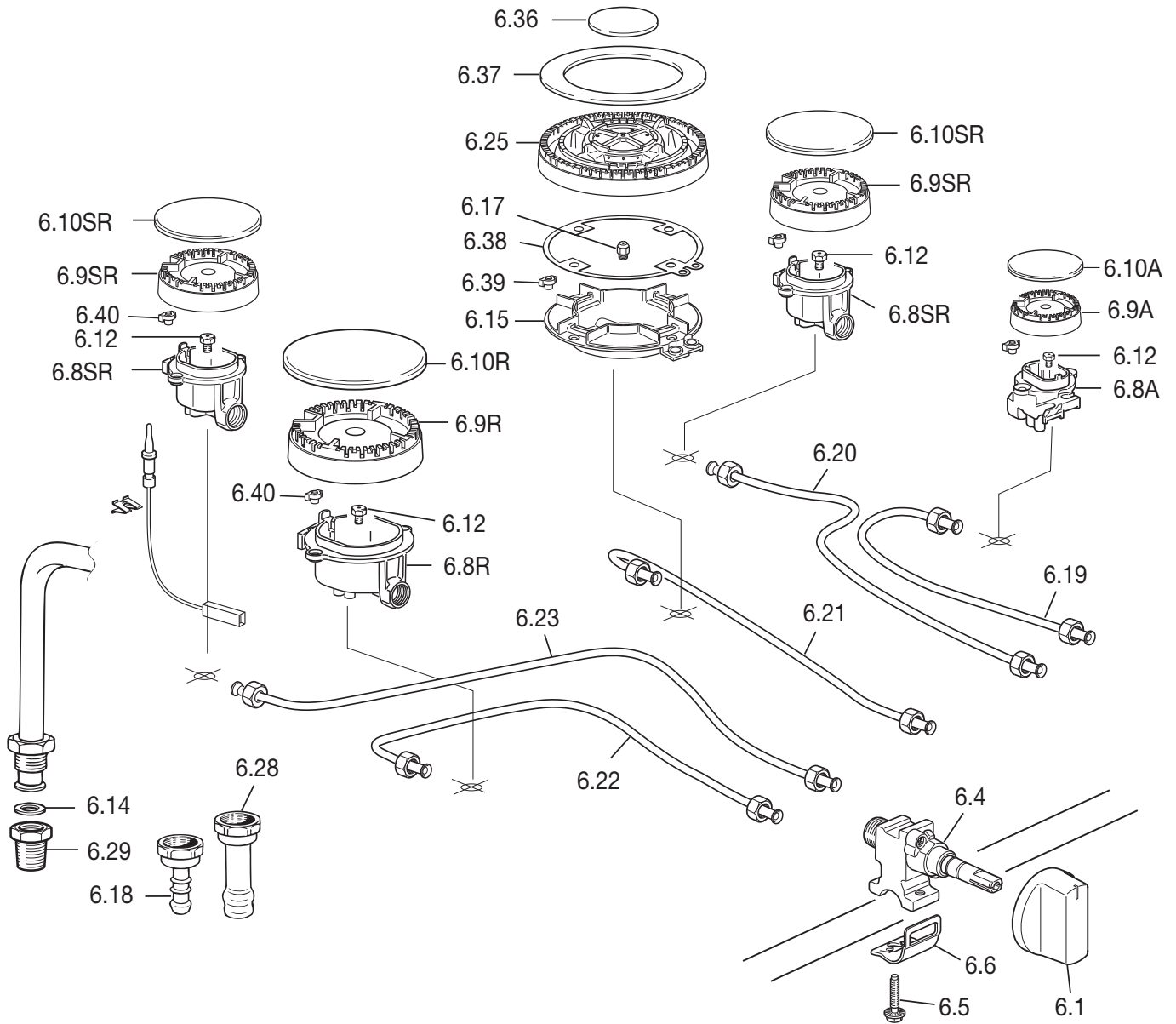
Ref.	Part description	Product code	
		C9T0CP016X	
		Feature	Part code
4.2	Oven insulation		030172.1
4.3	Rear insulation		030207
4.4	Oven insulation		030206
4.5	Rear insulation		030185
4.6	Rear right coupler		094417DX
4.7	Rear left coupler		094417SX
4.8	Rear panel		4119T02
4.9	Upper shelter		4219S01Z
4.10	Top/bottom seal		053074
4.11	Top seal		053095
4.12	Seal		053093
4.13	Seal		053039
4.16	Bottom seal		053094
4.18	Shim		103564
4.20	Buffer		040061
4.21	Hinge		063075
4.23	Front panel		371V969LCP
4.24	Inside panel		373V9601Y
4.25	Side panel right		36C91D1H
4.26	Side panel left		36C91S1H
4.27	Bracket		094136
4.31	Bracket		094412
4.32	Rear insulation support		4219604Z
4.33	Hinge protection		58BN601
4.34	Rotisserie hole plug		035097
4.35	Tube retainer		531533
4.36	Left stopper		081084080
4.37	Right stopper		081083080
4.38	Air conveyor		46A9S02Z
4.39	Funnel		46A9S01Z
4.40	Tangential fan		079025
4.42	Vibration-damper buffer		040056

Switch bracket

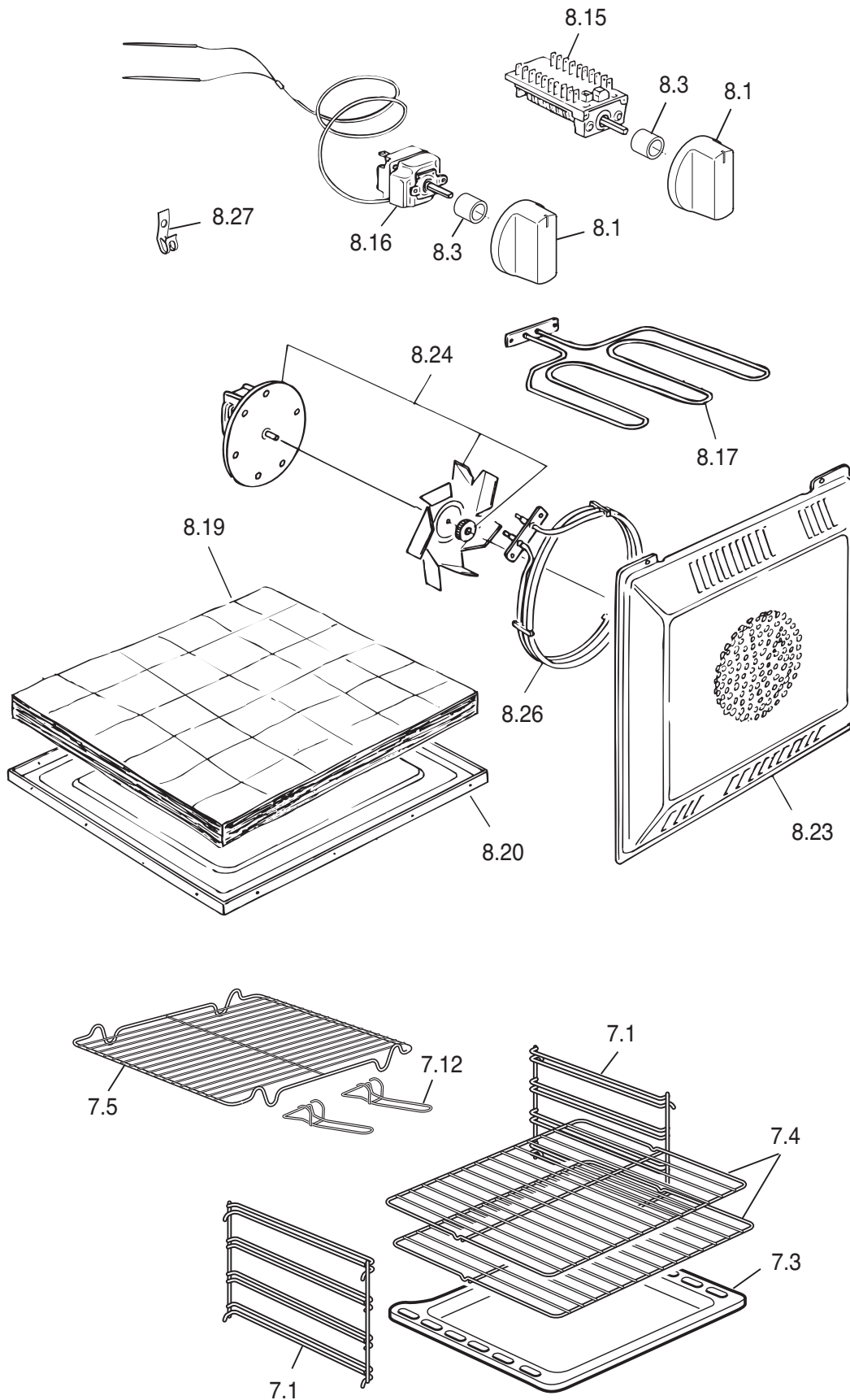
094260



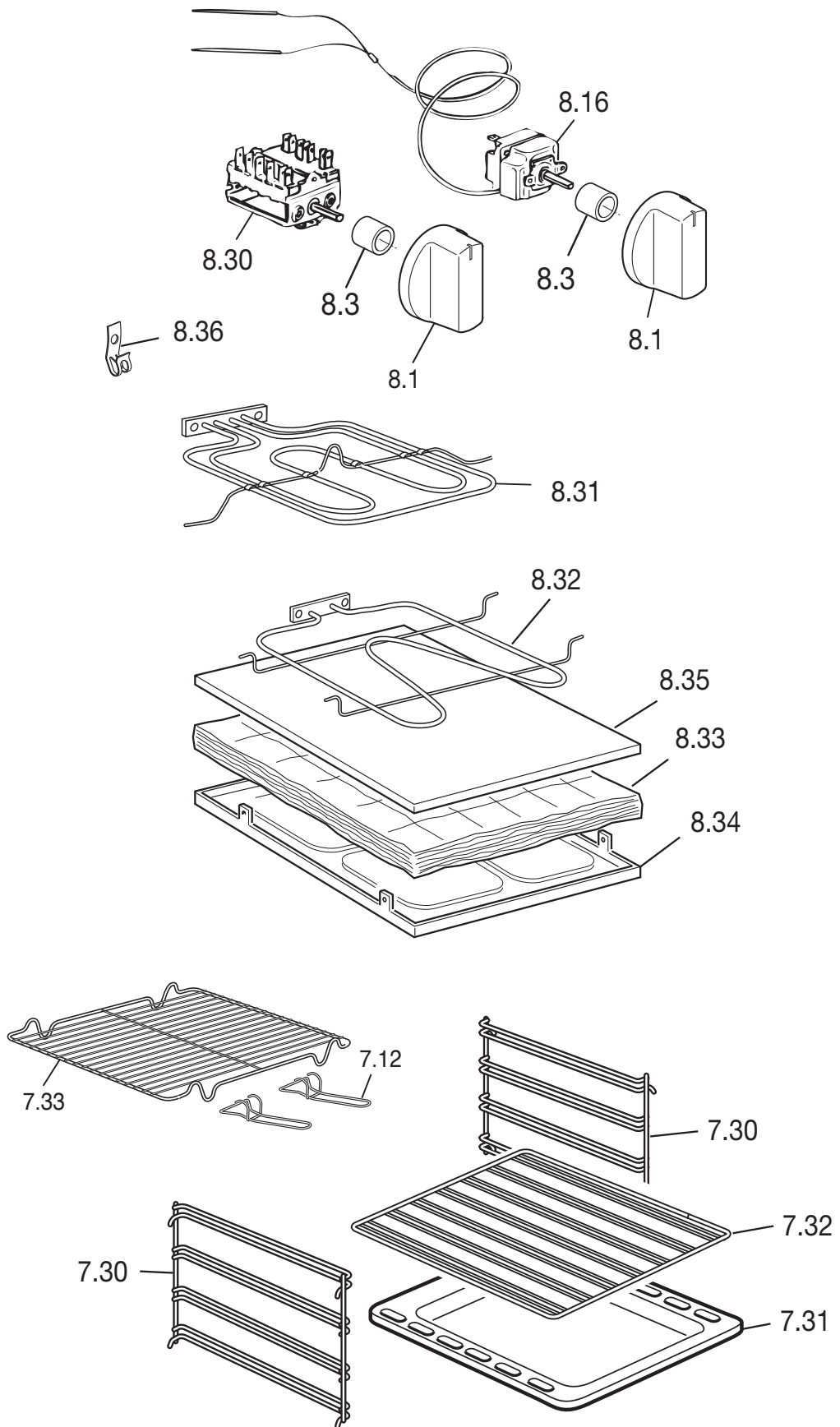
Ref.	Part description	Product code	
		C9T0CP016X	
		Feature	Part code
5.1	Door glass		032912725
5.2	Washer		103713
5.3	Door handle		037215062
5.4	Fixing bar		51B9102
5.5	Screw		001056
5.6	Screw		001245
5.9	Door hinge (female)		063109
5.10	Door panel		373F9104K
5.11	Gasket		053084
5.12	Inner glass		0311000.1T
5.14	Nut		214021
5.15	Screw		001143
5.16	Washer		003035
5.17	Washer		103205
5.18	Left door hinge (male)		063059/ZA
5.19	Right door hinge (male)		063058/ZA
5.21	Washer		003030
5.22	Washer R5,7x15		003041
5.30	Door glass		0329S2728A
5.31	Door handle		037216062
5.32	Fixing bar		51B9S04
5.34	Inner glass		0312159T
5.35	Gasket		053096
5.36	Door hinge (female)		063109
5.37	Left door hinge (male)		063111
5.38	Right door hinge (male)		063110
5.39	Door panel		373F9S01K



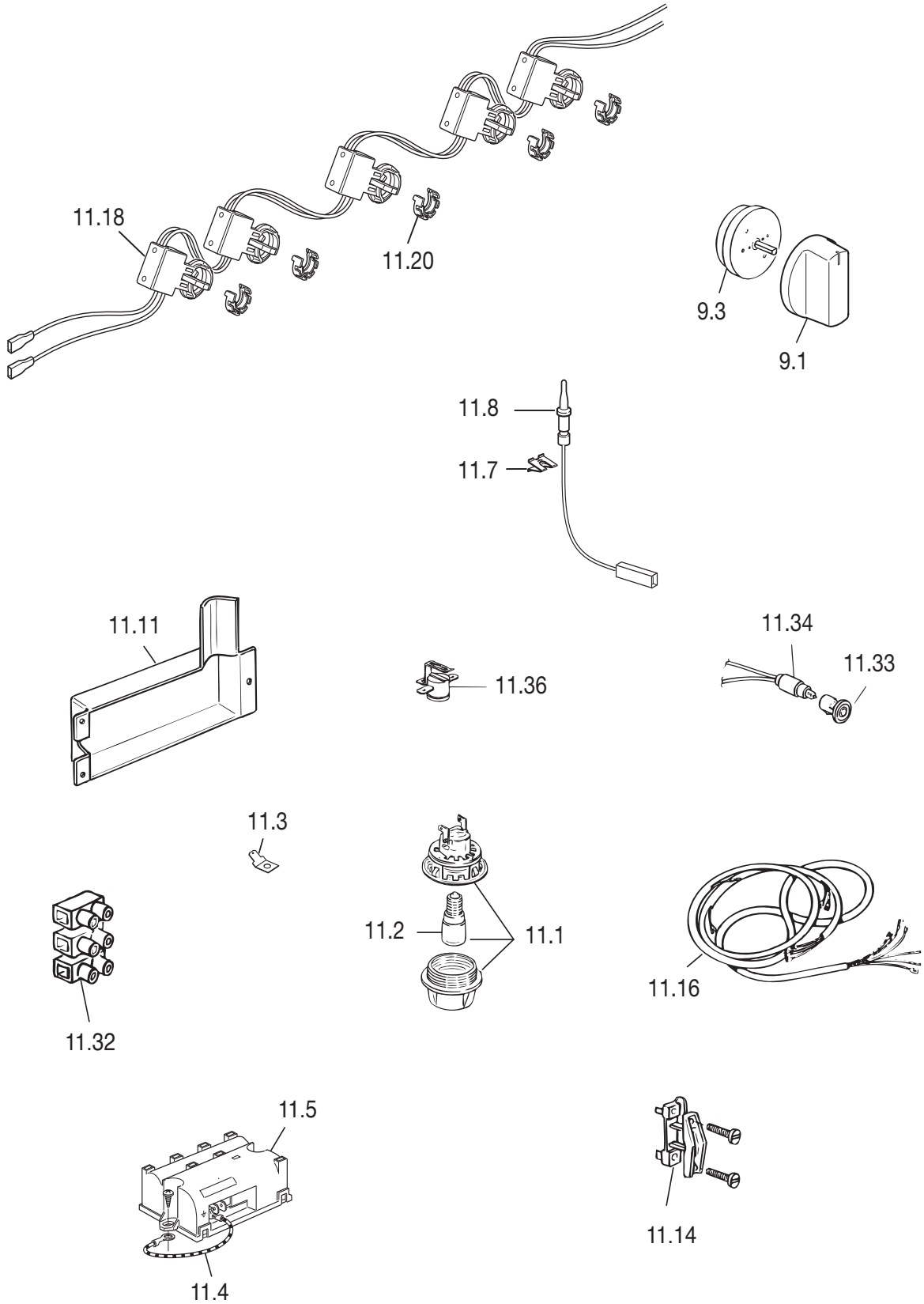
Ref.	Part description	Product code	
		C9T0CP016X	
		Feature	Part code
6.1	Burner knob		2182002416
6.4	Tap	Ø 0.28	106266
		Ø 0.33	106267
		Ø 0.43	106268
		Ø 0.63	106269
6.5	Tap fixing screw		001282
6.6	Tap bracket		094653
6.8A	Burner-cup	A	215465
6.8SR	Burner-cup	SR	215466
6.8R	Burner-cup	R	215467
6.9R	Burner head	R	068105001
6.9SR	Burner head	SR	068104001
6.9A	Burner head	A	068108001
6.10A	Burner-cap	A	216129080
6.10SR	Burner-cap	SR	216130080
6.10R	Burner-cap	R	216131080
6.12	Injector	Ø 0.72 - G20	101234
		Ø 0.97 - G20	101235
		Ø 1.15 - G20	101236
		Ø 0.50 - G30	101180
		Ø 0.65 - G30	101181
		Ø 0.85 - G30	101182
6.14	Elbow gasket		053024.1
6.15	Burner-cup	TR	215469
6.17	Injector	Ø 1.35 - G20	101237
		Ø 0.95 - G30	101233
6.18	LPG connection		027014
6.19	Inlet pipe - front right	A	029626
6.20	Inlet pipe - rear right	SR	029625
6.21	Inlet pipe - Central	TR	029634
6.22	Inlet pipe - front left	R	029635
6.23	Inlet pipe - rear left	SR	029622
6.25	Burner head	TR	068113
6.28	Natural gas connection		027013
6.29	Connection		067026
6.36	Burner-cap inside	TR	216132080
6.37	Burner-cap outside	TR	216133080
6.38	Burner-cup gasket		053078
6.39	Stopper	TR	040064
6.40	Stopper	A - SR - R	040071



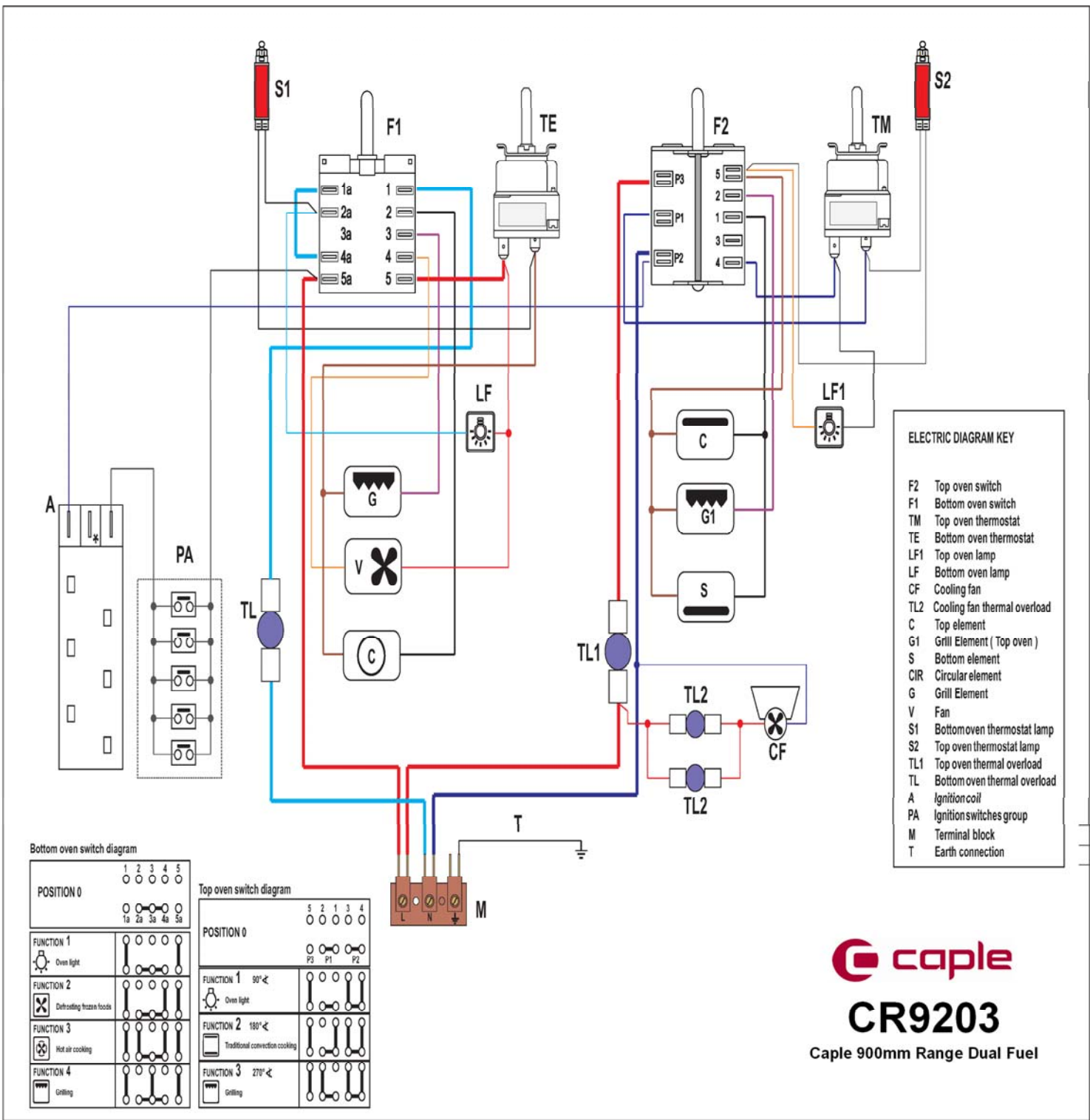
Ref.	Part description	Product code	
		C9T0CP016X	
		Feature	Part code
8.1	Oven knob		2182002417
8.3	Oven knob sleeve		085081
8.15	Oven switch		050032
8.16	Oven thermostat		066072
8.17	Top + grill element	230V	062067004
8.19	Bottom element insulation		030083.1
8.20	Bottom insulation support		4216102Z
8.23	Fan diffuser		47AN604K
8.24	Fan motor		079008001F
8.26	Fan element	230 V	062097004
8.27	Clips		213025
7.1	Shelf support		217291
7.3	Oven tray		48B6101K
7.4	Oven shelf		217220
7.5	Grill-pan grid		217397
7.12	Grill-pan grid handle		037144



Ref.	Part description	Product code	
		C9T0CP016X	
		Feature	Part code
8.1	Oven knob		2182002417
8.3	Oven knob sleeve		085081
8.16	Oven thermostat		066072
8.30	Oven switch		050040.1
8.31	Top + grill element		062102004
8.32	Bottom element	230V	062096004
8.33	Bottom element insulation	230V	030129.1
8.34	Bottom element support		4219S04Z
8.35	Bottom element protection		4219S05Z
8.36	Clip		213025
7.12	Grill-pan grid handle		037144
7.30	Shelf support		217307
7.31	Oven tray		48B9S001K
7.32	Oven shelf		217542
7.33	Grill-pan grid		217537

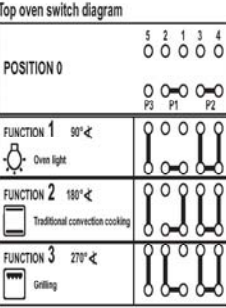
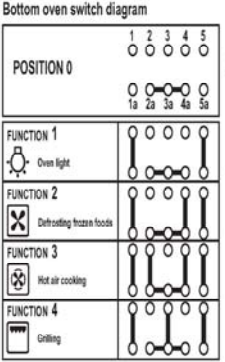


Ref.	Part description	Product code	
		C9T0CP016X	
		Feature	Part code
9.1	Alarm knob		2182002417
9.3	60' alarm		074009
11.1	Lamp holder		072003
11.2	Lamp - 15 W		073013001
11.3	Earth plate		094221
11.4	Burner ignition coil cable		103288
11.5	6 burners ignition coil		082048.1
11.7	Igniter spring		035094
11.8	Igniter	L = 630	084029
		TR - L = 500	084033
		L = 900	084036
11.11	Terminal block protection		103230.1A
11.14	Wire fastener		052008
11.16	Wiring		1131850
11.18	Ignition switches		1031237
11.20	Retaining ring		003077
11.32	Terminal block	25A - 3P	051049
11.33	Control lamp cover - Red		07306202.2
11.34	Control lamp	L = 200	073039.2
11.36	Cut-off thermostat	160°	066123
		150°	066073
		80°	066145
		55°	066080
	LPG gas conversion kit		6109S50004
-	Instruction booklet		1103307



ELECTRIC DIAGRAM KEY

- F2 Top oven switch
- F1 Bottom oven switch
- TM Top oven thermostat
- TE Bottom oven thermostat
- LF1 Top oven lamp
- LF Bottom oven lamp
- CF Cooling fan
- TL2 Cooling fan thermal overload
- C Top element
- G1 Grill Element (Top oven)
- S Bottom element
- CIR Circular element
- G Grill Element
- V Fan
- S1 Bottomoven thermostat lamp
- S2 Top oven thermostat lamp
- TL1 Top oven thermal overload
- TL Bottom oven thermal overload
- A Ignition coil
- PA Ignition switches group
- M Terminal block
- T Earth connection



cagle
CR9203
 Cagle 900mm Range Dual Fuel